



US00D458764S

(12) **United States Design Patent**
Starck

(10) **Patent No.:** **US D458,764 S**

(45) **Date of Patent:** **** Jun. 18, 2002**

(54) **CHAIR**

(75) Inventor: **Philippe Starck**, Issy les Moulineaux (FR)

(73) Assignee: **Vitra Patente AG**, MuttENZ (CH)

(**) Term: **14 Years**

(21) Appl. No.: **29/138,616**

(22) Filed: **Mar. 16, 2001**

(30) **Foreign Application Priority Data**

Sep. 19, 2000 (XH) DM/053 190

(51) **LOC (7) Cl.** **06-01**

(52) **U.S. Cl.** **D6/366**

(58) **Field of Search** D6/334, 335, 364,
D6/365, 366, 367, 375, 500, 501, 502;
297/411.2, DIG. 2

(56) **References Cited**

U.S. PATENT DOCUMENTS

D158,509 S	5/1950	Saارين	
D168,212 S	11/1952	Cicchelli	
D181,945 S	* 1/1958	Saارين	D6/365
D183,743 S	* 10/1958	Howell	D6/334
D191,704 S	11/1961	Stauffer	
D196,719 S	10/1963	Johnson	
D197,643 S	3/1964	Kramer	
D197,712 S	3/1964	Fischer	
D201,879 S	* 8/1965	Gale	D6/365
D202,424 S	* 9/1965	Newsom	D6/366
D213,683 S	4/1969	Leistikow	
D224,856 S	* 10/1972	Charity	D6/375

D245,378 S	*	8/1977	Roericht	D6/366
D275,341 S	*	9/1984	Dunbar et al.	D6/366
D436,749 S		1/2001	Arad		
D442,378 S		5/2001	Arad		

OTHER PUBLICATIONS

Illums Bolighus, p. 31, Chair 18356 by Jacobsen at left, May 1961.*

Sunar, p. 86, Chair shown.*

* cited by examiner

Primary Examiner—Gary D. Watson

(74) *Attorney, Agent, or Firm*—Selitto, Behr & Kim

(57) **CLAIM**

The ornamental design for a chair, as shown.

DESCRIPTION

FIG. 1 is a front perspective view of a chair showing my new design;

FIG. 2 is a front elevational view thereof;

FIG. 3 is a rear elevational view thereof;

FIG. 4 is a left side elevational view thereof;

FIG. 5 is a right side elevational view thereof;

FIG. 6 is a top plan view thereof;

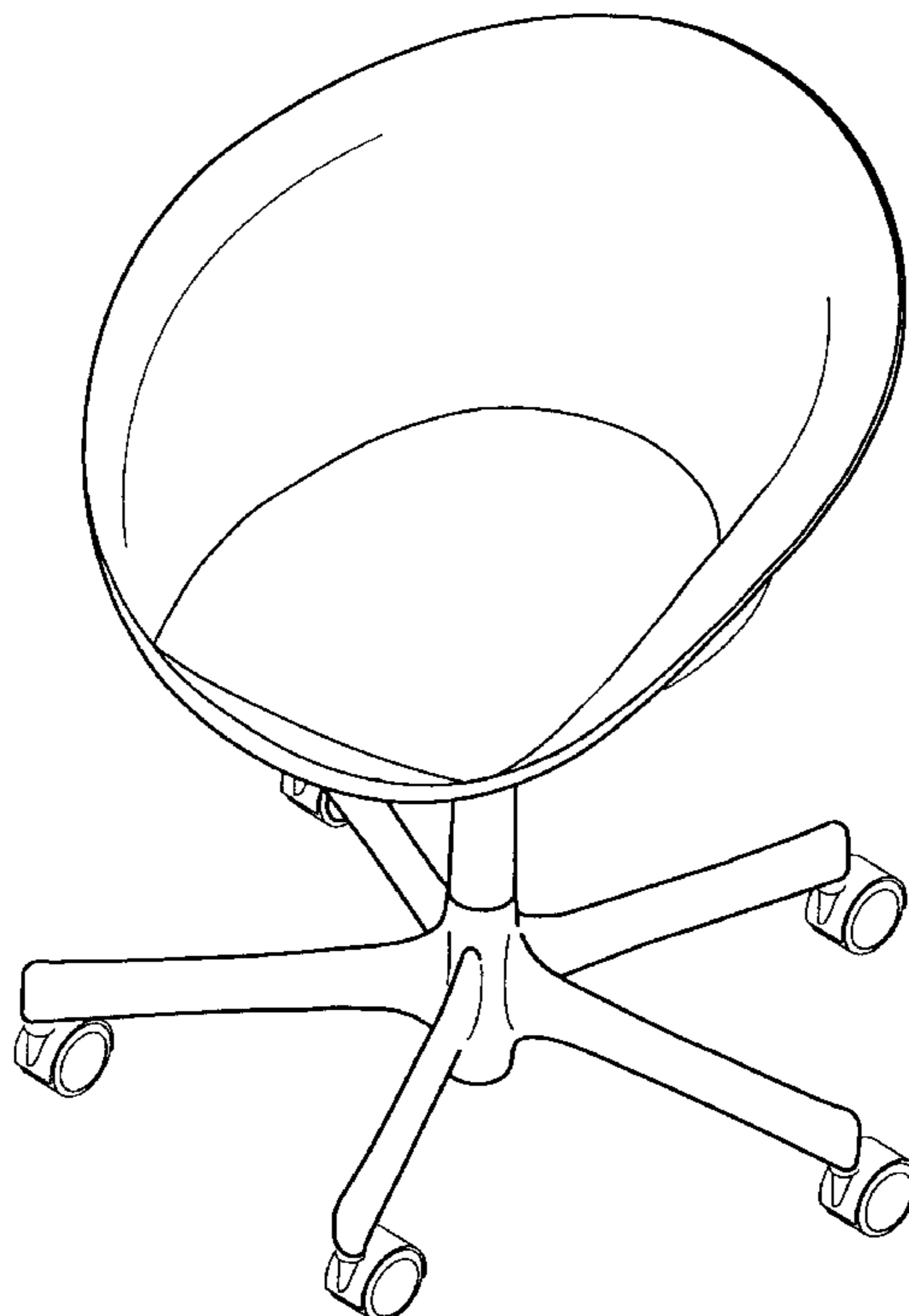
FIG. 7 is a bottom plan view thereof;

FIG. 8 is a front perspective view of an alternate embodiment of the design shown in FIG. 1, with a cushion;

FIG. 9 is a front elevational view of the chair shown in FIG. 8; and,

FIG. 10 is a top plan view of the chair shown in FIGS. 8 and 9.

1 Claim, 10 Drawing Sheets



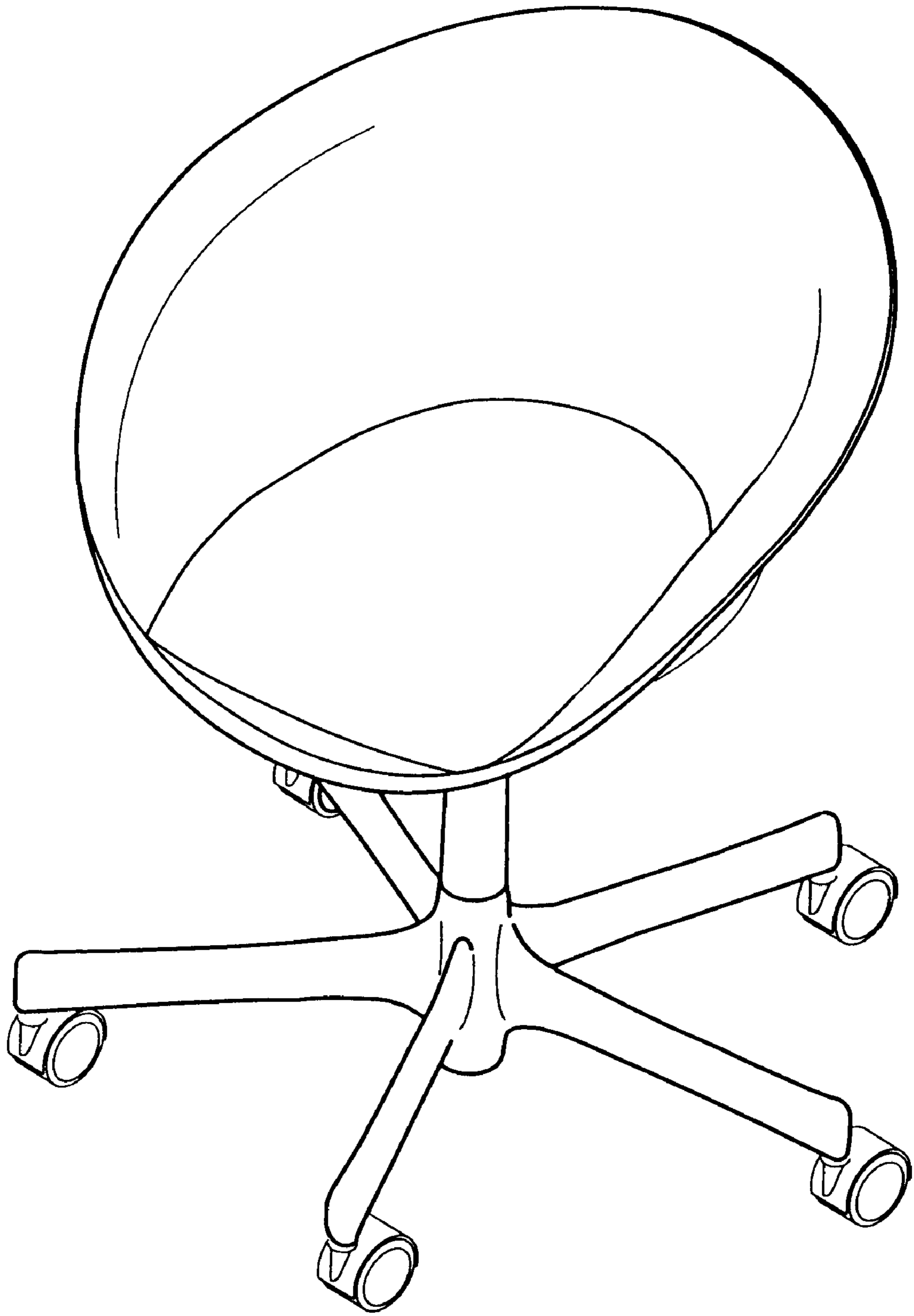


Fig. 1

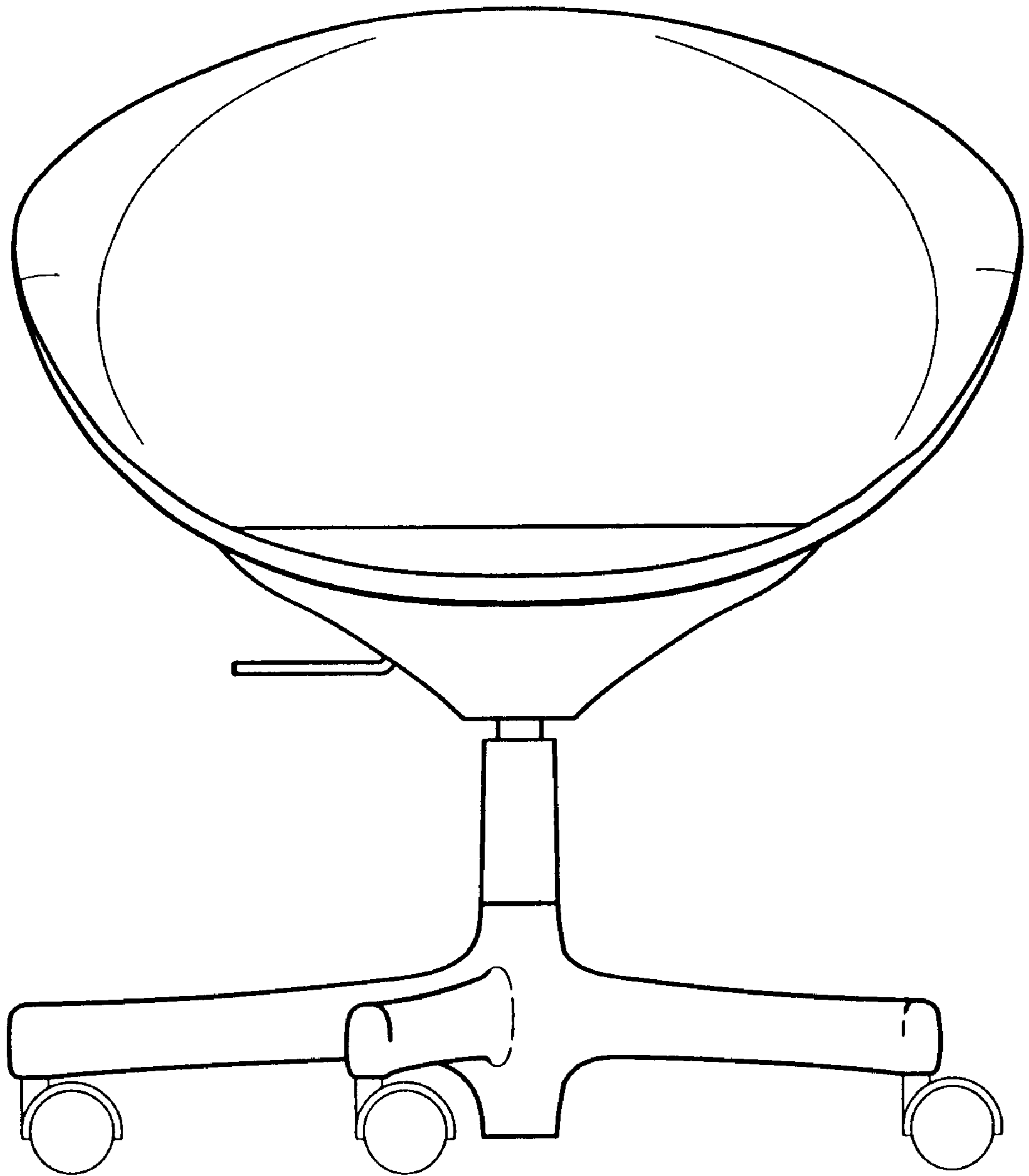


Fig. 2

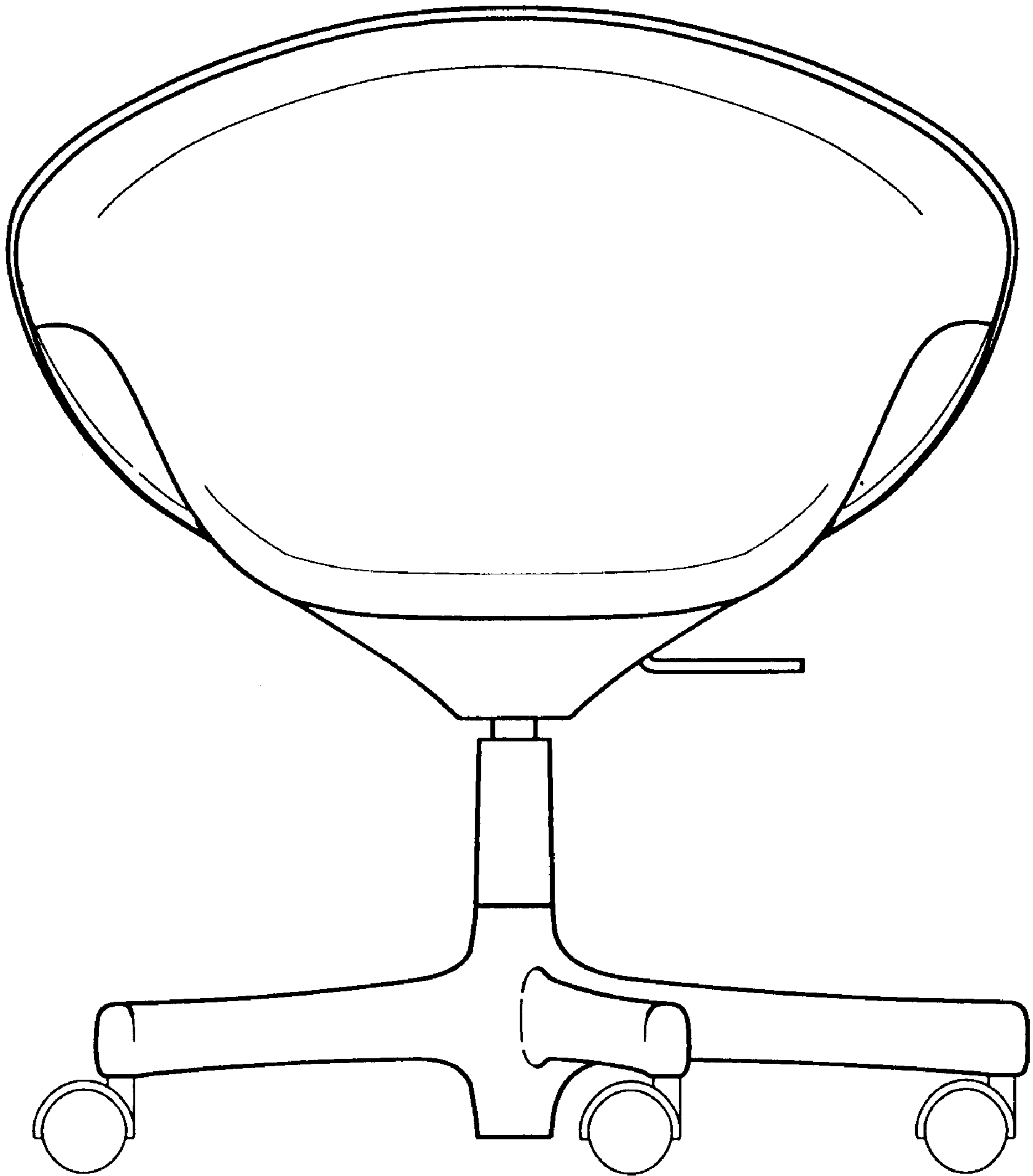


Fig. 3

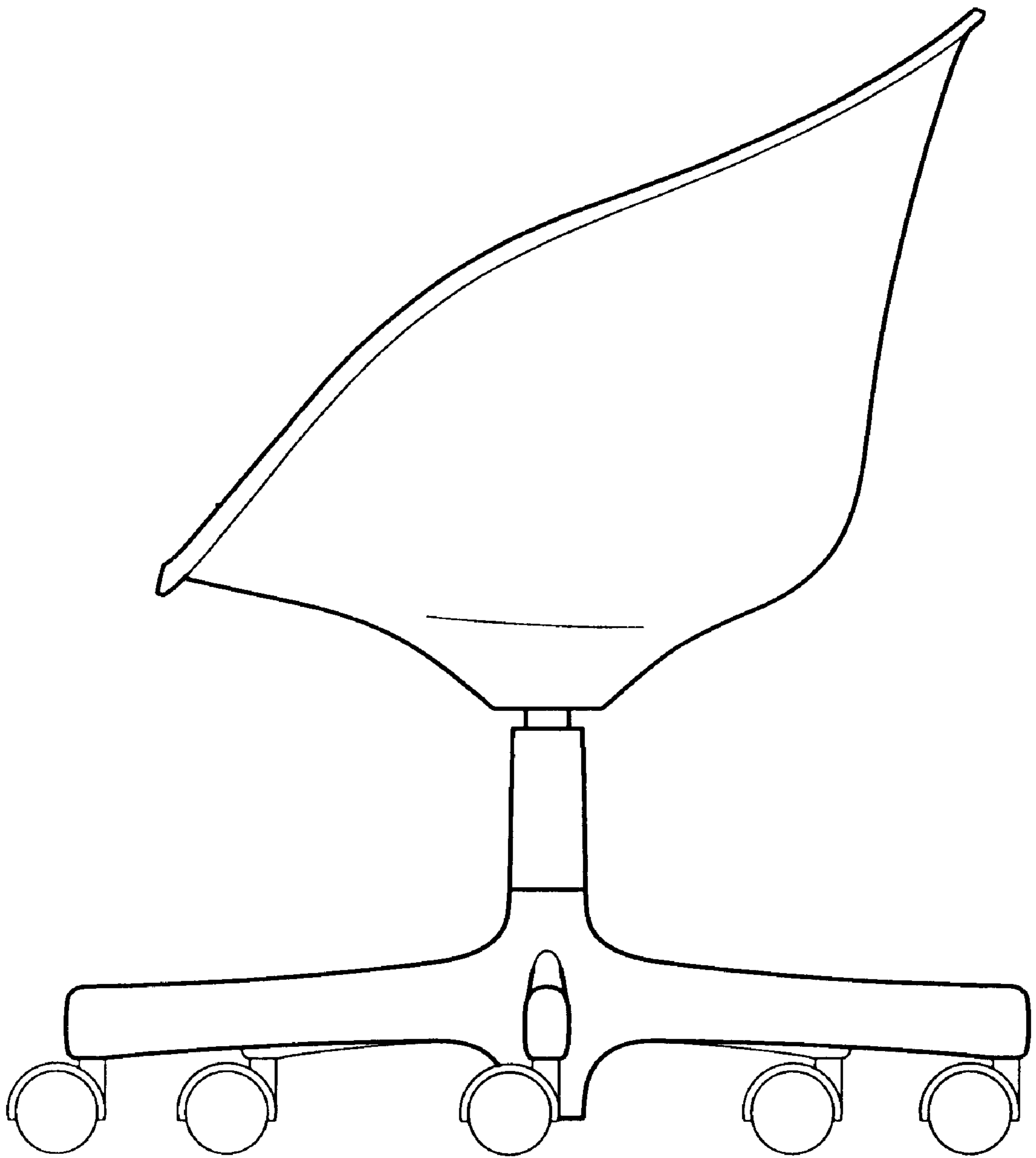


Fig. 4

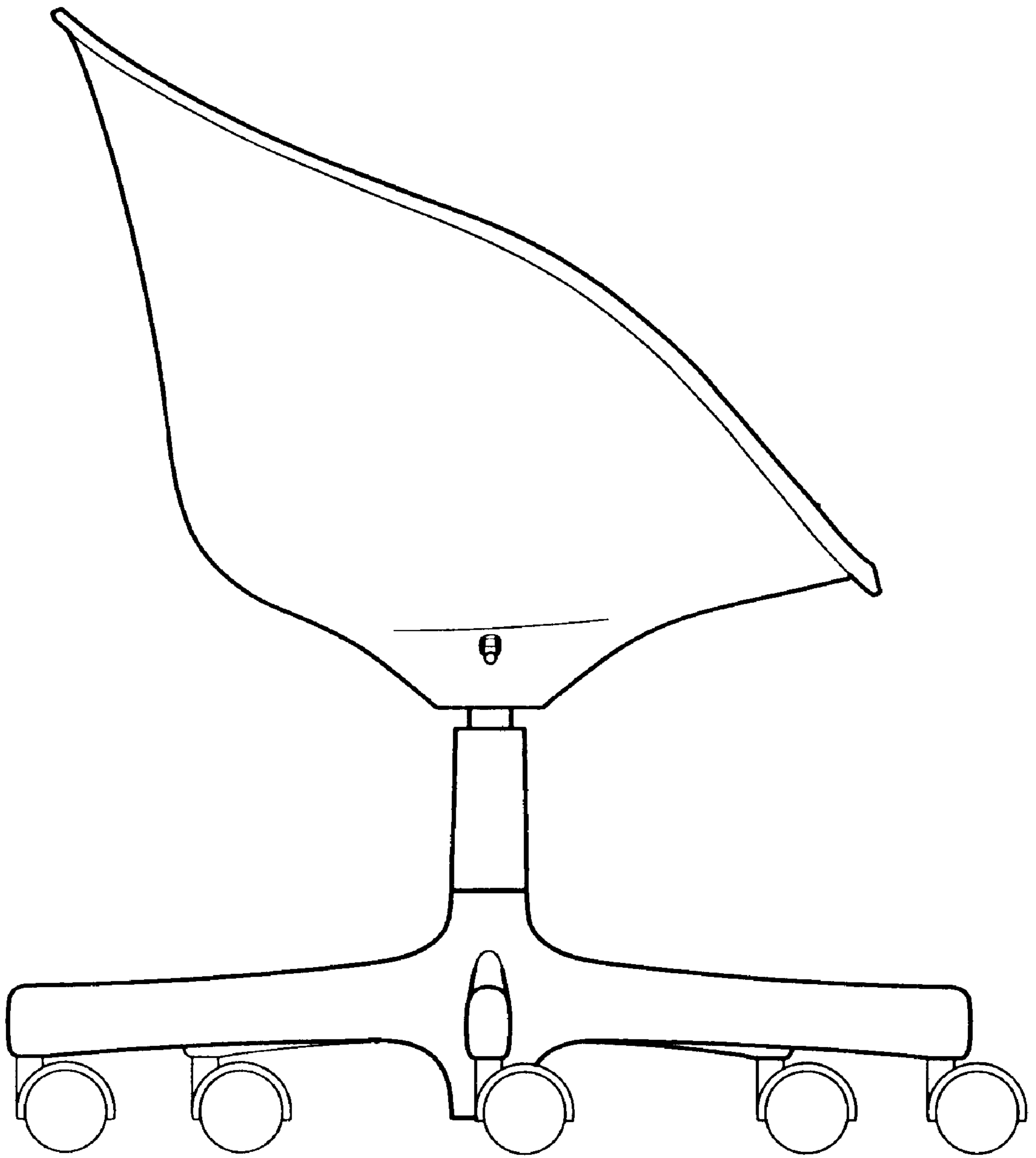


Fig. 5

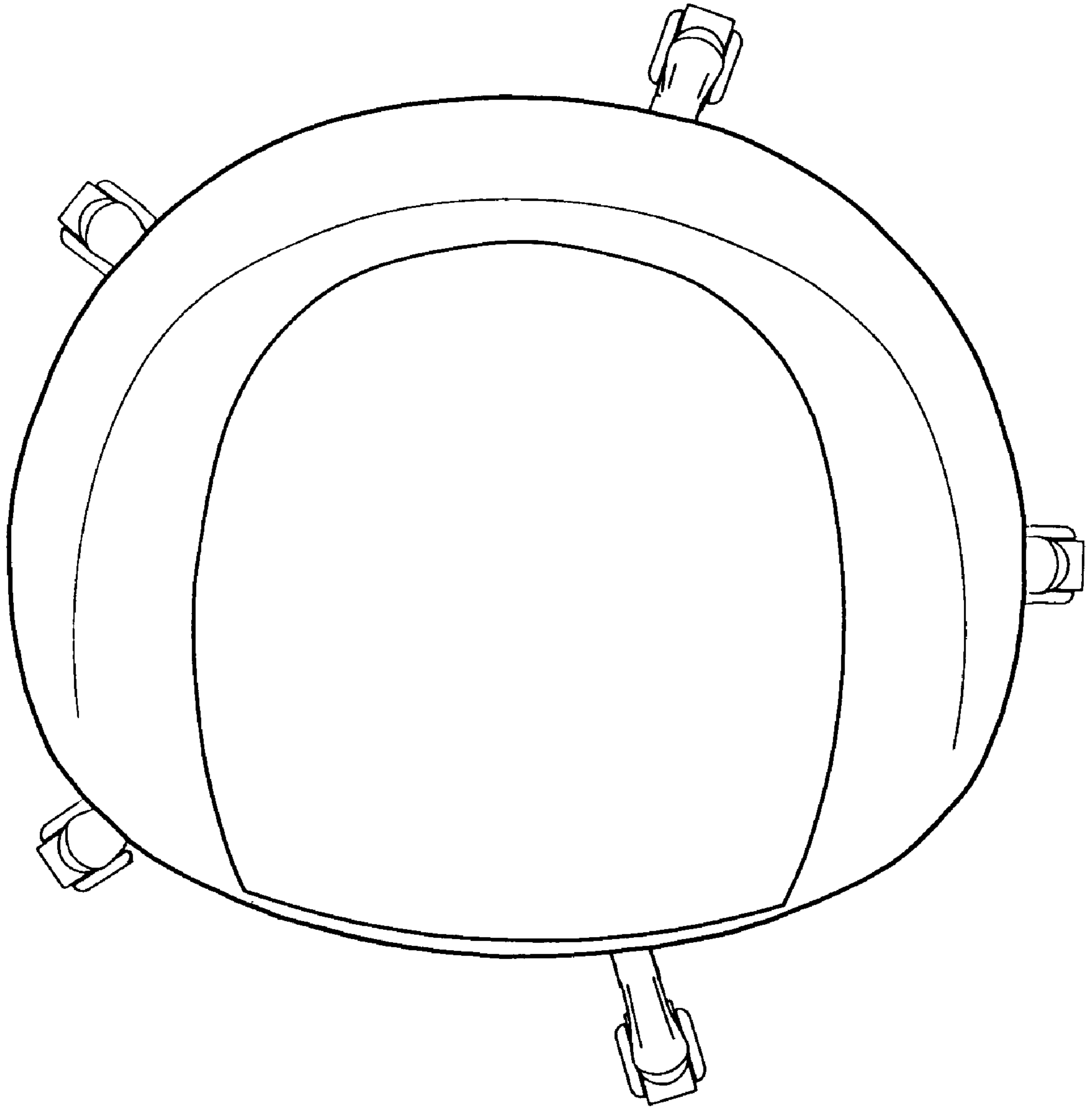


Fig. 6

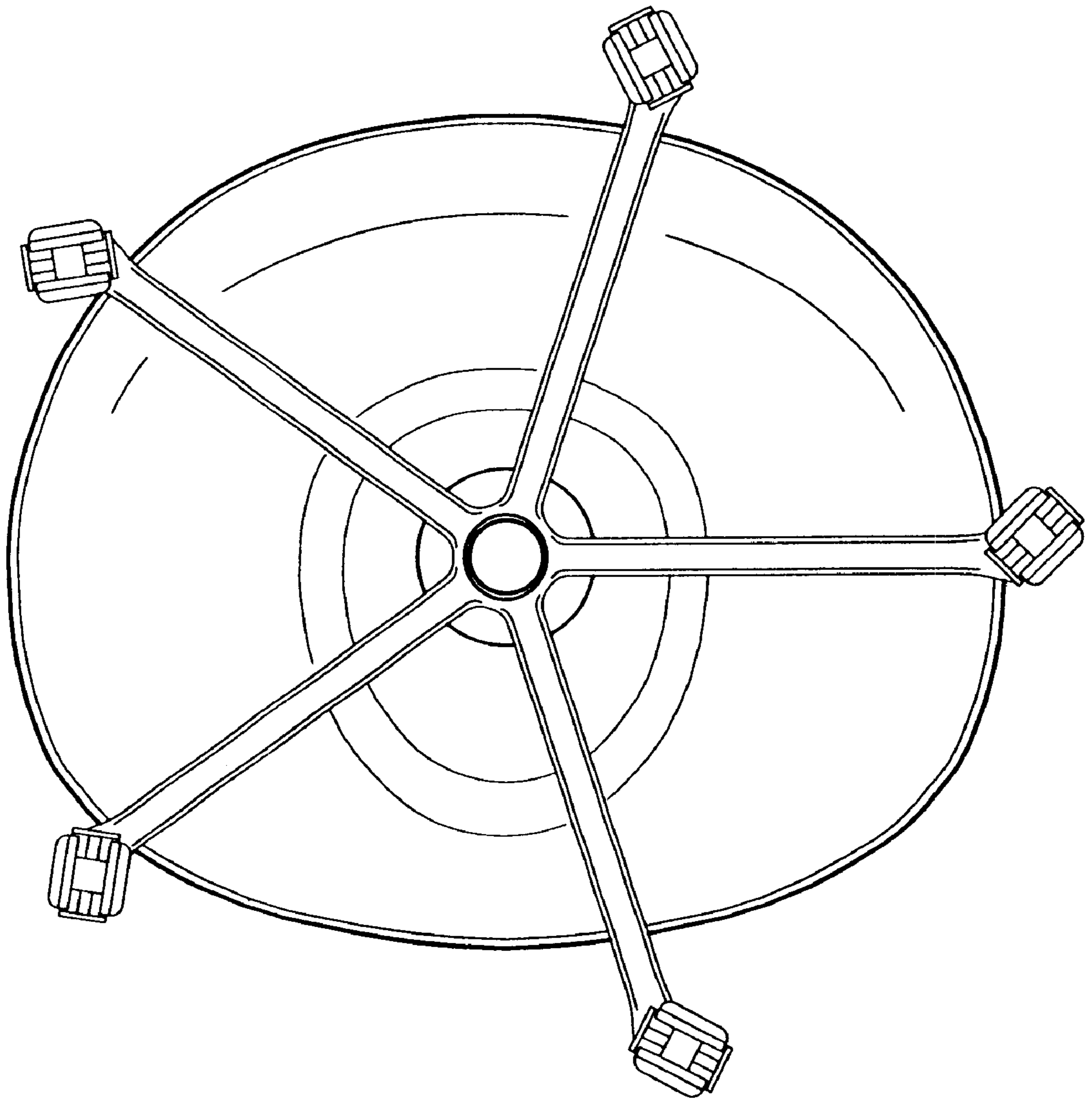


Fig. 7

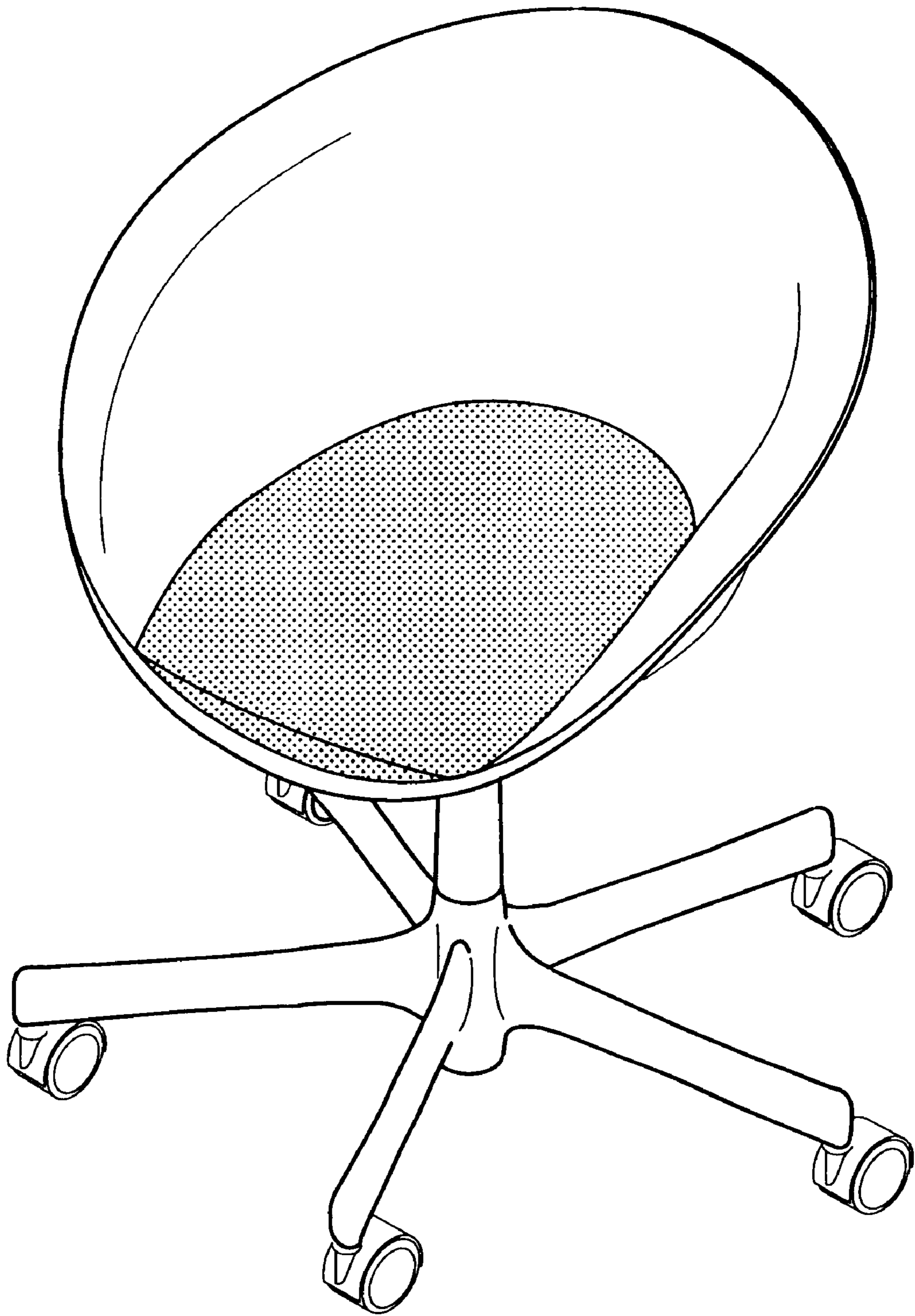


Fig. 8

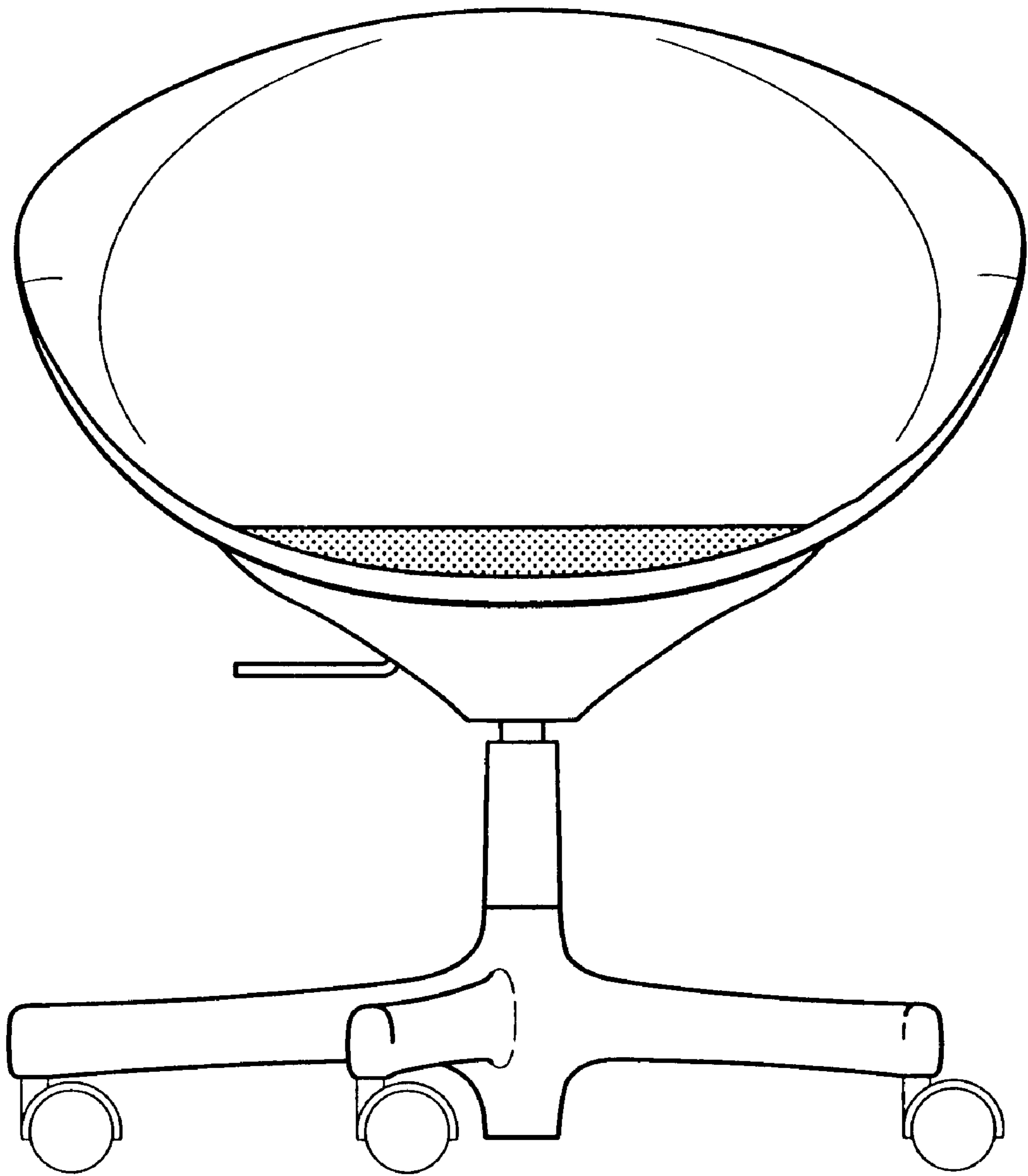


Fig. 9

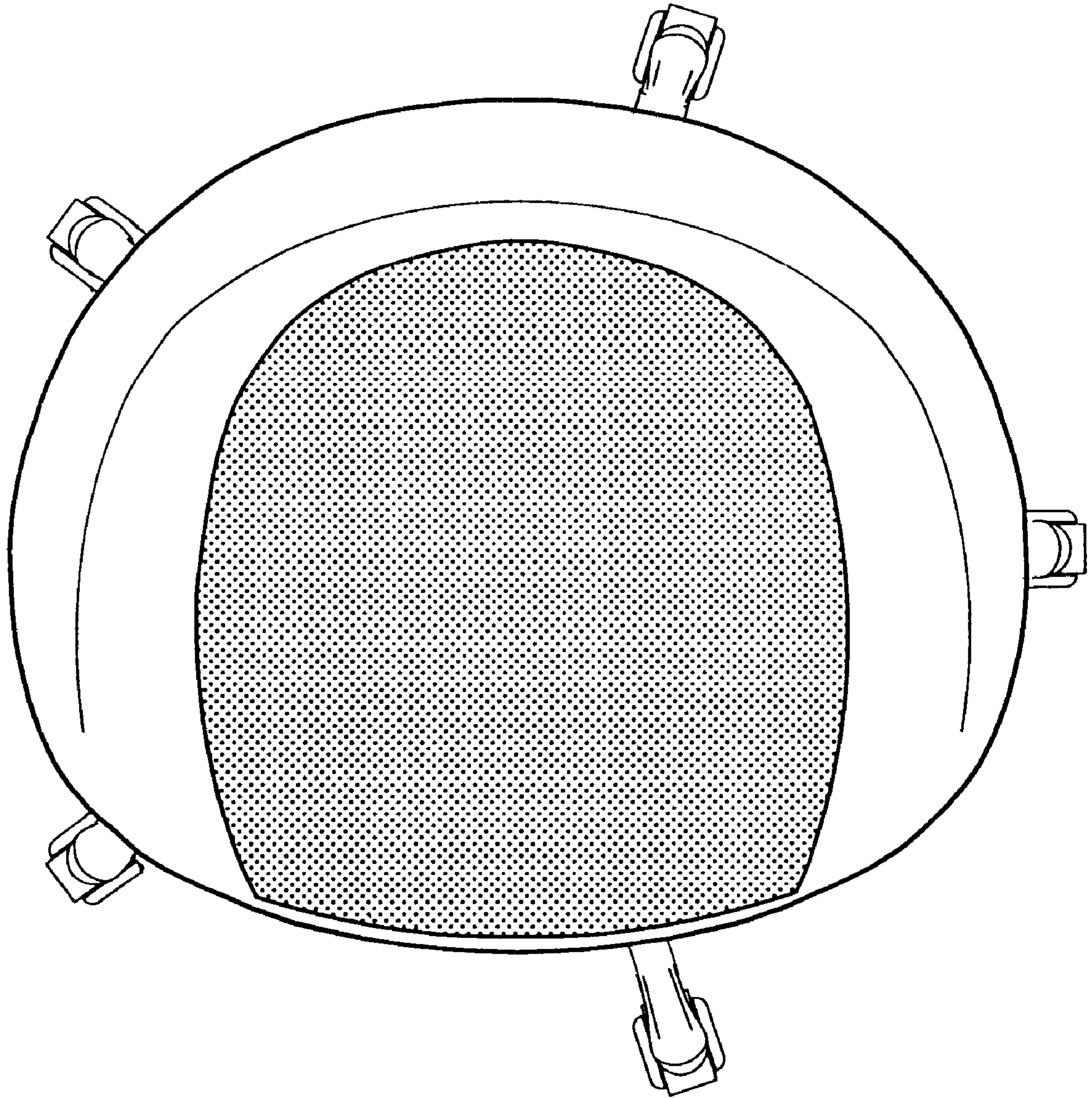


Fig. 10