



US00D458763S

(12) **United States Design Patent**  
**Dowding et al.**

(10) **Patent No.:** **US D458,763 S**  
(45) **Date of Patent:** **\*\* Jun. 18, 2002**

(54) **EASEL**

(75) Inventors: **Andrea Walters Dowding**, Dresden;  
**Lynn Poynter**, Columbus, both of OH  
(US); **Russell Gilbert; Durward**  
**Staten**, both of Mountain View, AR  
(US)

(73) Assignee: **The Longaberger Company**, Newark,  
OH (US)

(\*\*) Term: **14 Years**

(21) Appl. No.: **29/138,984**

(22) Filed: **Mar. 22, 2001**

(51) **LOC (7) Cl.** ..... **06-07**

(52) **U.S. Cl.** ..... **D6/313; D7/601; D7/631;**  
D19/91

(58) **Field of Search** ..... D6/300-314, 419,  
D6/462; D7/601-631; D19/65, 75, 86, 90,  
91, 95, 99, 100; 248/441.1, 445, 450, 451,  
453, 465.1; 281/44, 45, 51; 211/42, 43;  
40/700, 735, 744, 745, 765, 780, 790, 798

(56) **References Cited**

**U.S. PATENT DOCUMENTS**

353,582 A \* 11/1886 Palmer ..... 248/453  
D33,047 S \* 8/1900 Perry ..... D6/313  
D39,318 S \* 5/1908 Timberlake ..... D6/313

D43,490 S \* 1/1913 Johnson ..... D6/306  
D118,443 S \* 1/1940 Fisk et al. .... D6/313  
D411,391 S \* 6/1999 Goodman et al. .... D6/419  
5,918,907 A \* 7/1999 Ho ..... 281/45  
D422,417 S \* 4/2000 Walters-Dowding et al. D6/313  
D436,628 S \* 1/2001 Goodman et al. .... D19/91

**OTHER PUBLICATIONS**

Stone County Ironworks Catalog (1997) (Leaf Plate holder).  
Baskets in Bloom brochure (Apr. 1, 1994) (Bread Plate/Mug  
Stand).

\* cited by examiner

*Primary Examiner*—Martie K. Holtje

(74) *Attorney, Agent, or Firm*—Porter, Wright, Morris &  
Arthur LLP

(57) **CLAIM**

The ornamental design for an easel, as shown and described.

**DESCRIPTION**

FIG. 1 is a top perspective view of an easel showing our new  
design;

FIG. 2 is a front view thereof;

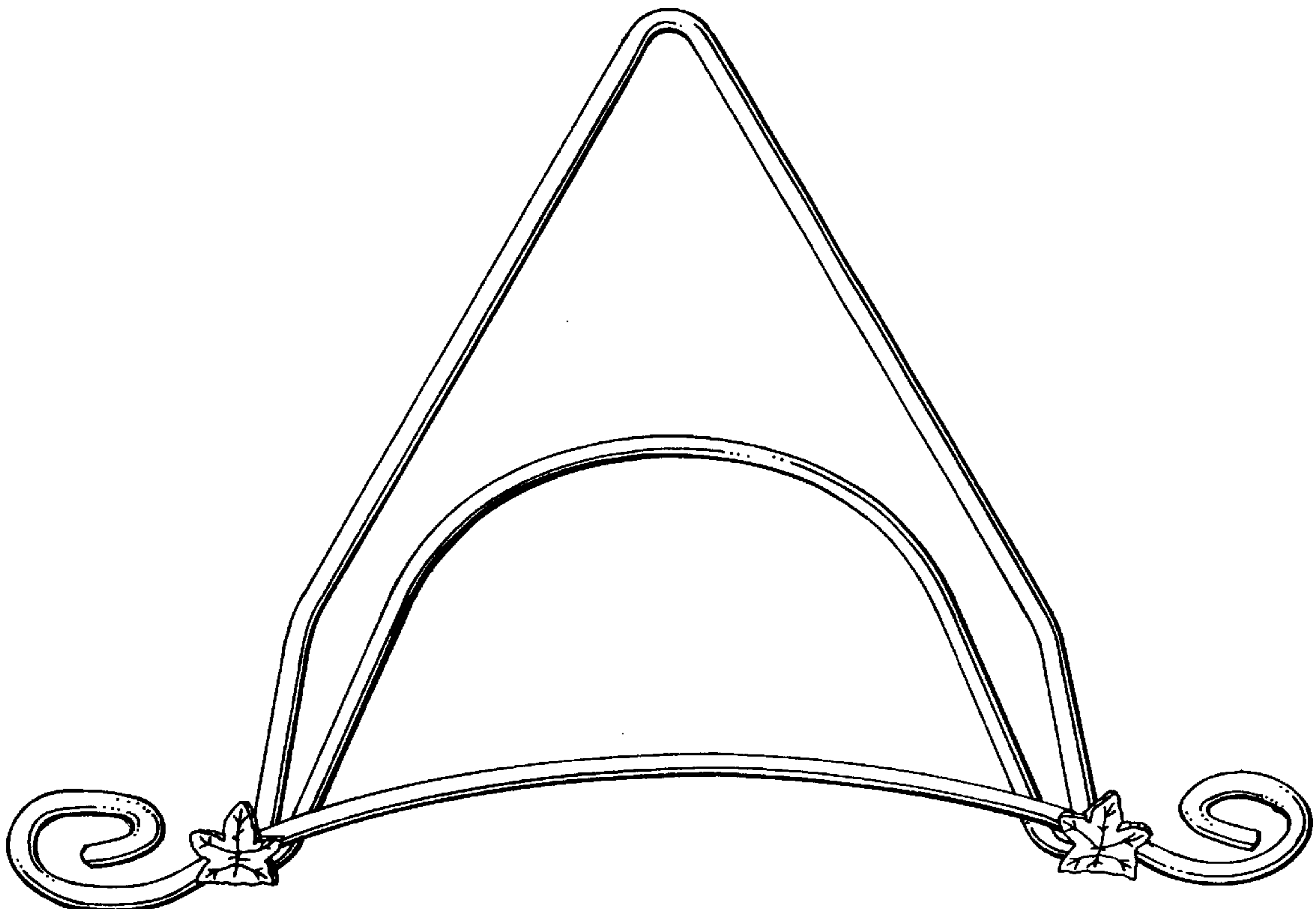
FIG. 3 is a top view thereof;

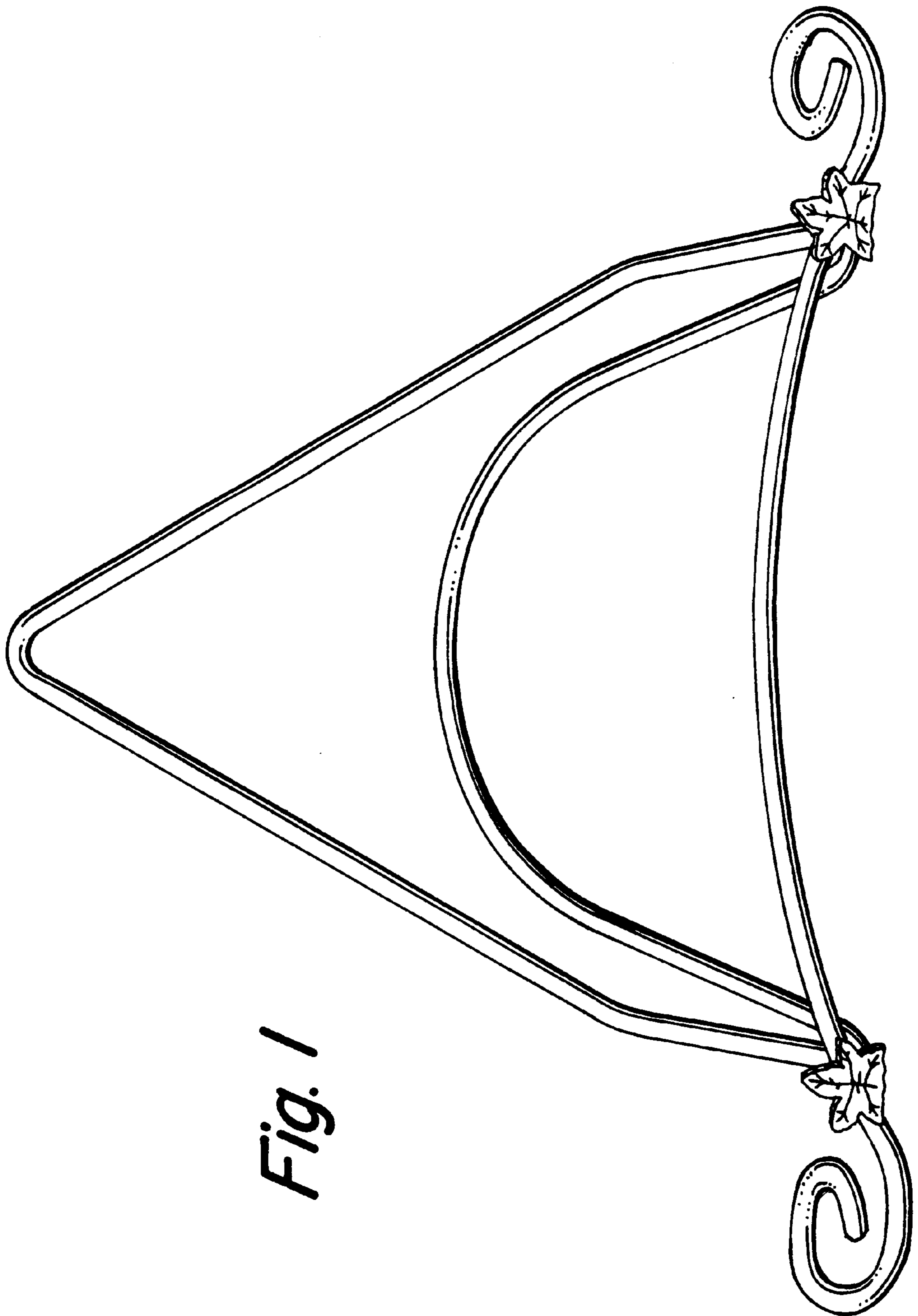
FIG. 4 is a rear view thereof;

FIG. 5 is a left side view thereof, the right side view being  
a mirror image thereof; and,

FIG. 6 is a bottom view thereof.

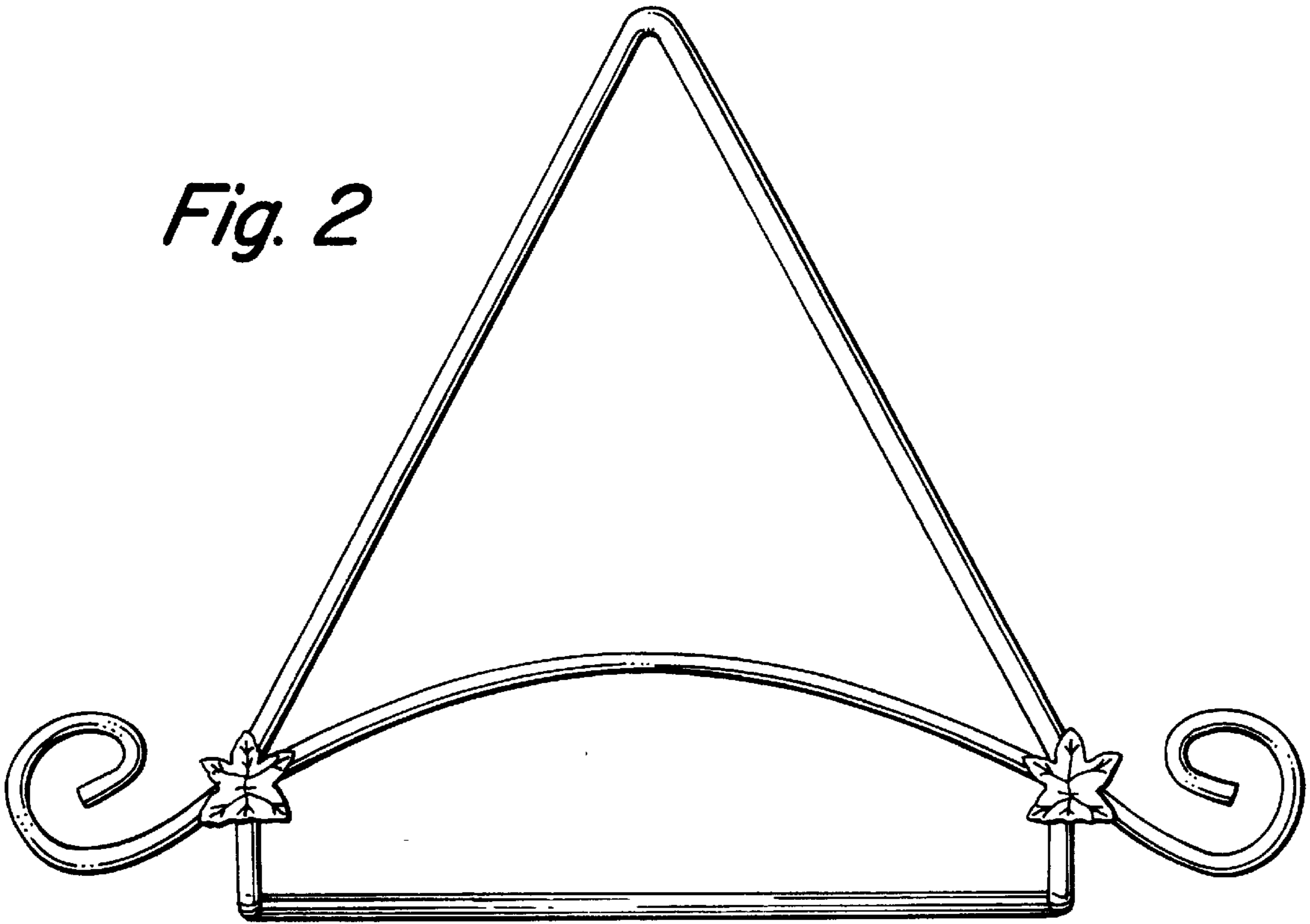
**1 Claim, 4 Drawing Sheets**



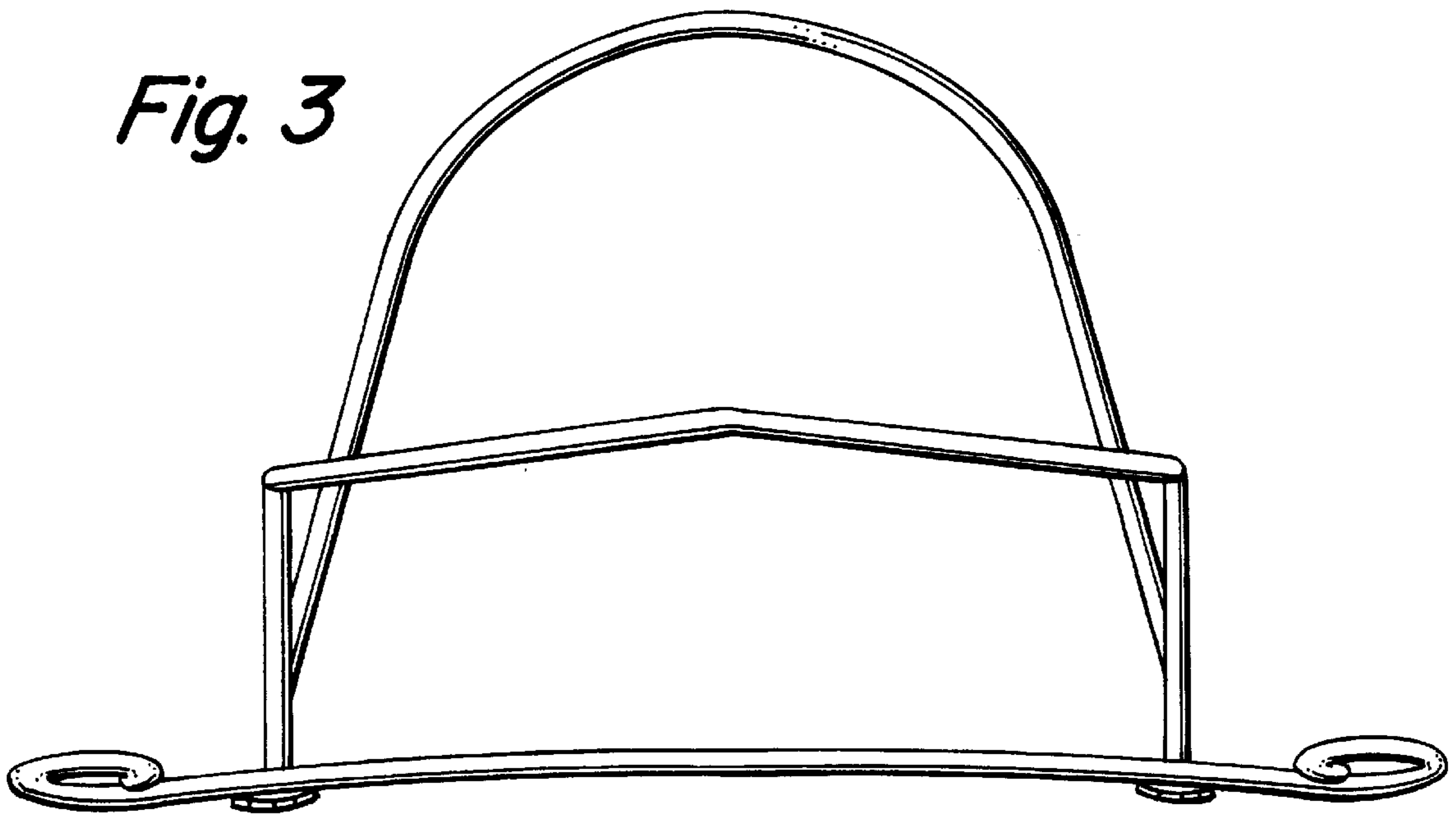


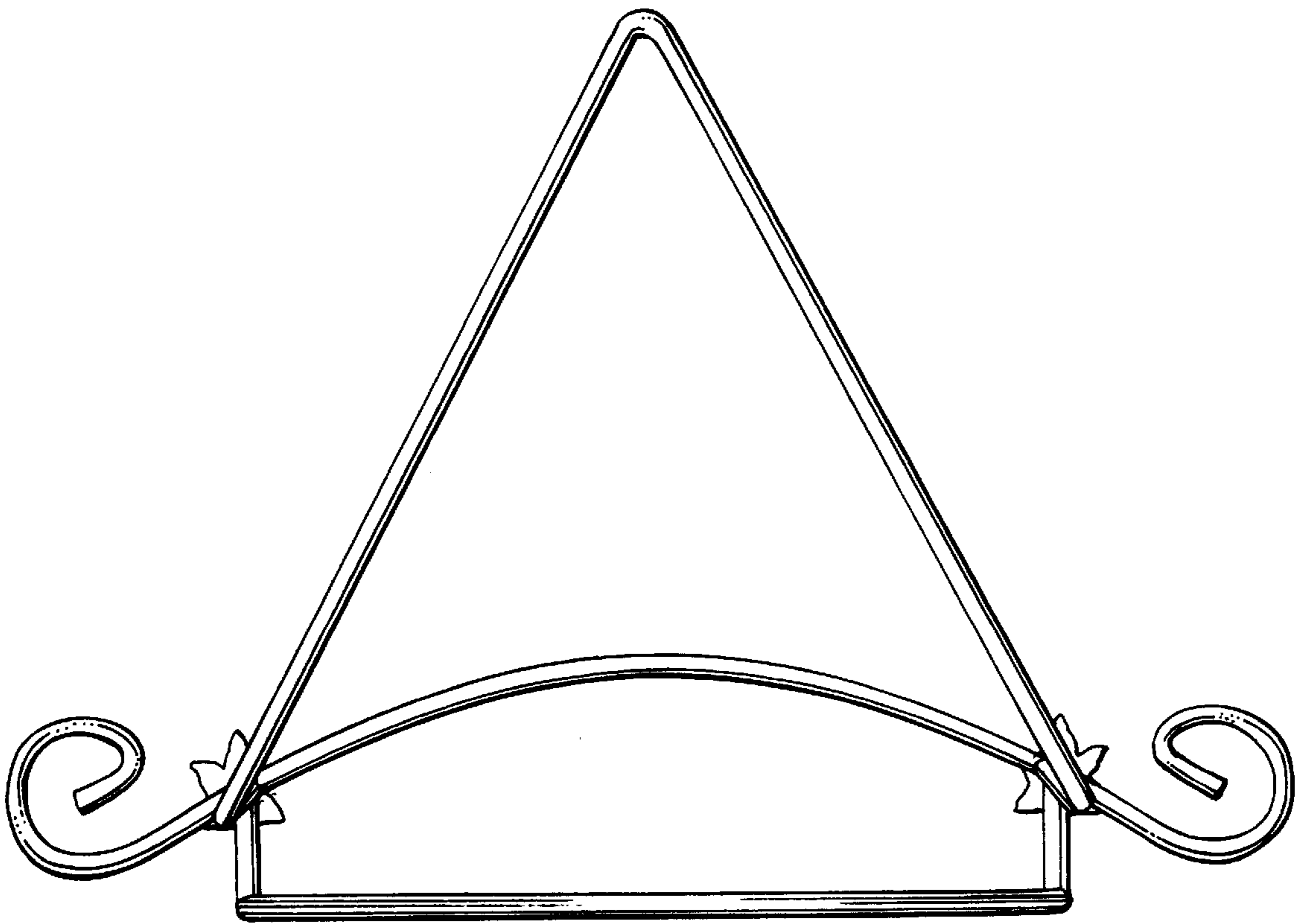
*Fig. 1*

*Fig. 2*

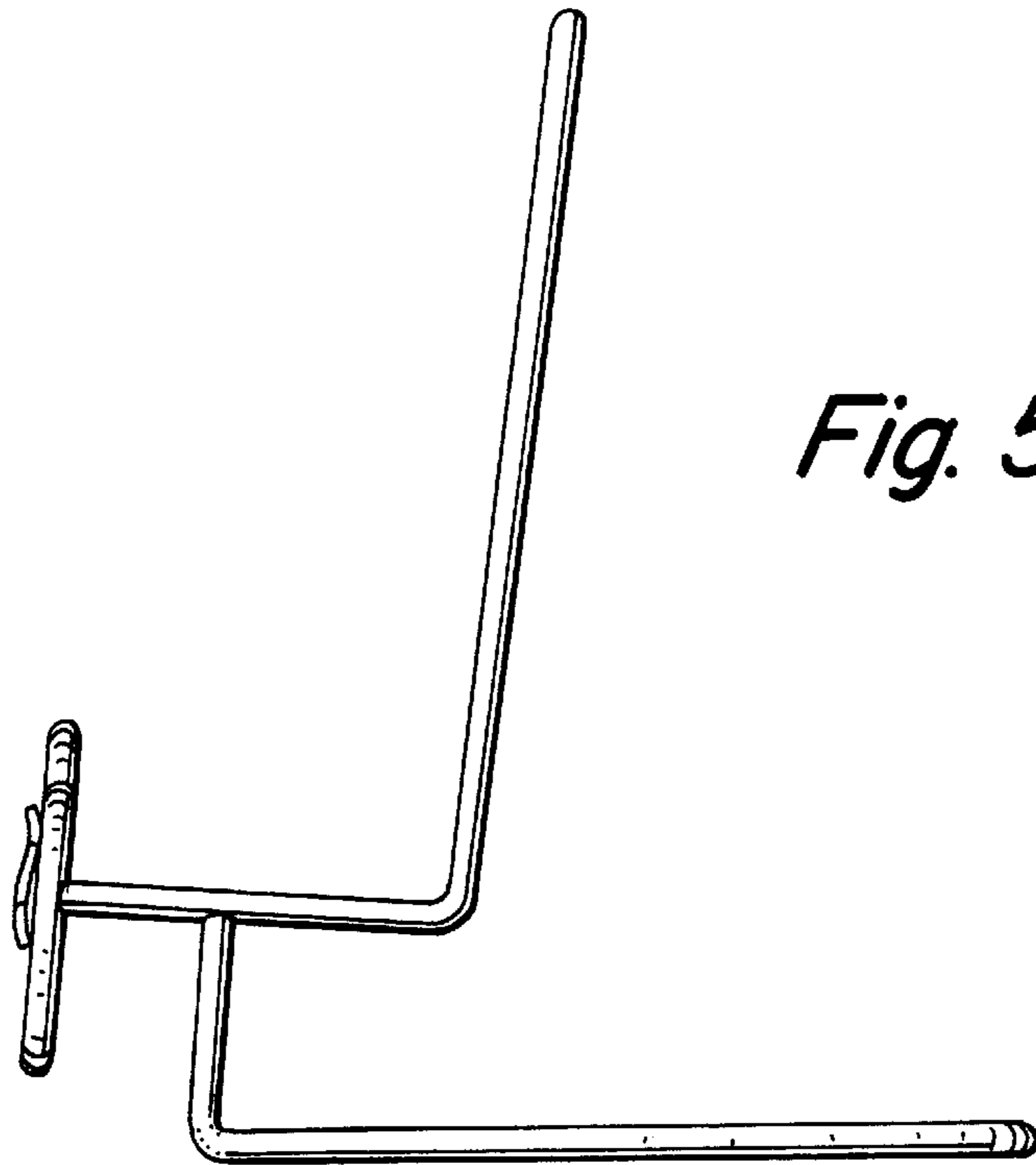


*Fig. 3*

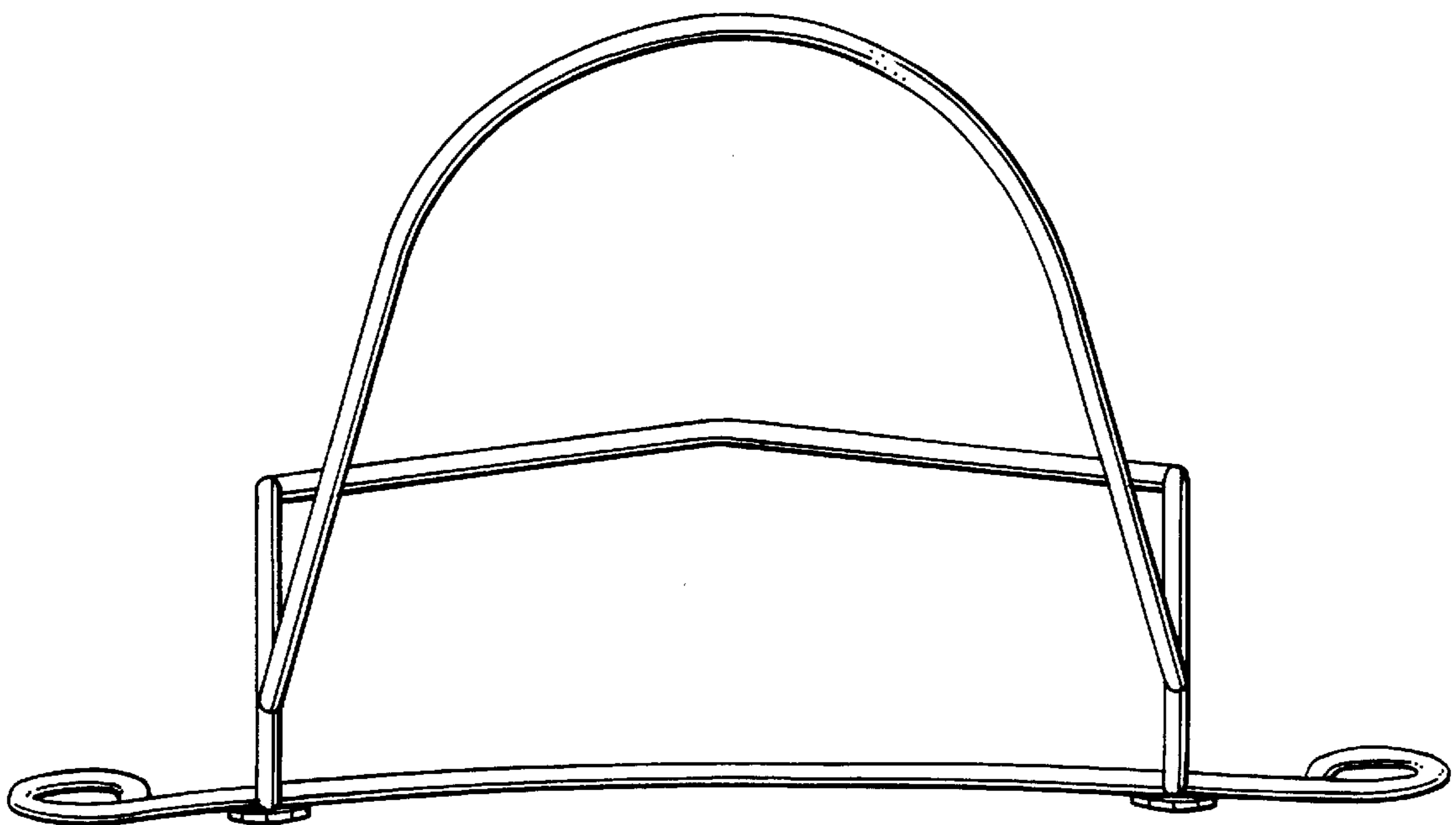




*Fig. 4*



*Fig. 5*



*Fig. 6*