



US00D458752S

(12) **United States Design Patent**
Wolf

(10) **Patent No.:** **US D458,752 S**

(45) **Date of Patent:** **** Jun. 18, 2002**

(54) **JEWEL ROLL CASE**

(75) Inventor: **Simon Wolf**, Malibu, CA (US)

(73) Assignee: **Wolf Designs, Inc.**, Malibu, CA (US)

(**) Term: **14 Years**

(21) Appl. No.: **29/139,053**

(22) Filed: **Mar. 22, 2001**

(51) **LOC (7) Cl.** **03-01**

(52) **U.S. Cl.** **D3/299**

(58) **Field of Search** D3/273, 299, 300,
D3/303; 206/6.1, 205

(56) **References Cited**

U.S. PATENT DOCUMENTS

D236,552 S	*	8/1975	Wagner	D3/299
D276,004 S	*	10/1984	Mink	D3/299
D297,283 S	*	8/1988	Gray	D3/299
D323,937 S	*	2/1992	Solomon	D3/299
D385,694 S	*	11/1997	Magnussen	D3/201
5,727,677 A	*	3/1998	Peviani	206/205
5,779,033 A	*	7/1998	Roegner	206/6.1

5,890,587 A	*	4/1999	Roegner	206/6.1
D449,443 S	*	10/2001	Snider	D3/299
D449,444 S	*	10/2001	Snider	D3/299

* cited by examiner

Primary Examiner—Philip S. Hyder

(74) *Attorney, Agent, or Firm*—Cislo & Thomas LLP

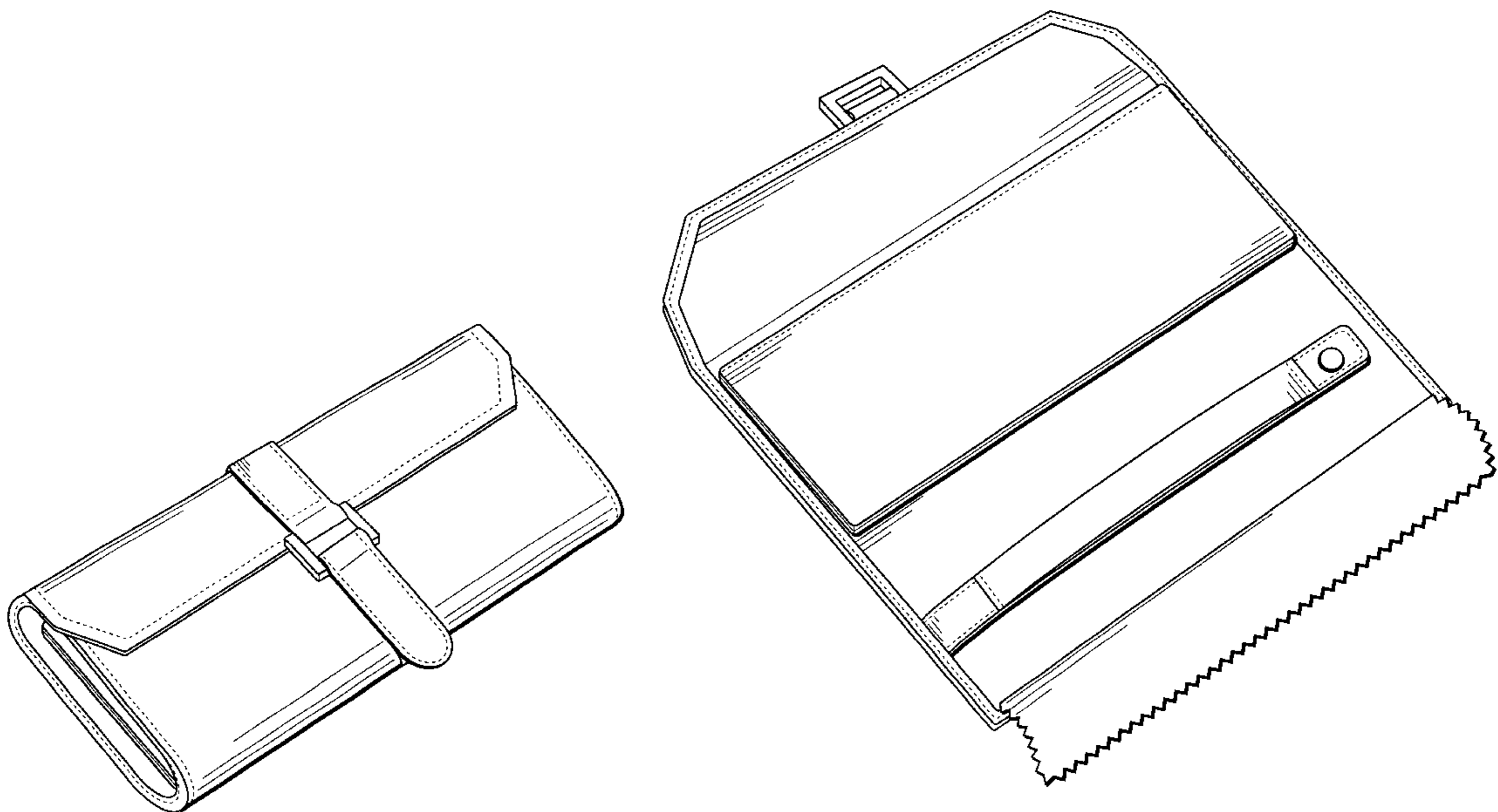
(57) **CLAIM**

The ornamental design for a jewel roll case, as shown and described herein.

DESCRIPTION

FIG. 1. Is a front perspective view of my jewel roll case;
 FIG. 2. Is a view similar to FIG. 1, but illustrating the article in the open position;
 FIG. 3. Is a front view thereof;
 FIG. 4. Is a rear view thereof;
 FIG. 5. Is a left side elevational view thereof;
 FIG. 6. Is a right side elevational view thereof;
 FIG. 7. Is a top view thereof; and,
 FIG. 8. Is a bottom view thereof.

1 Claim, 2 Drawing Sheets



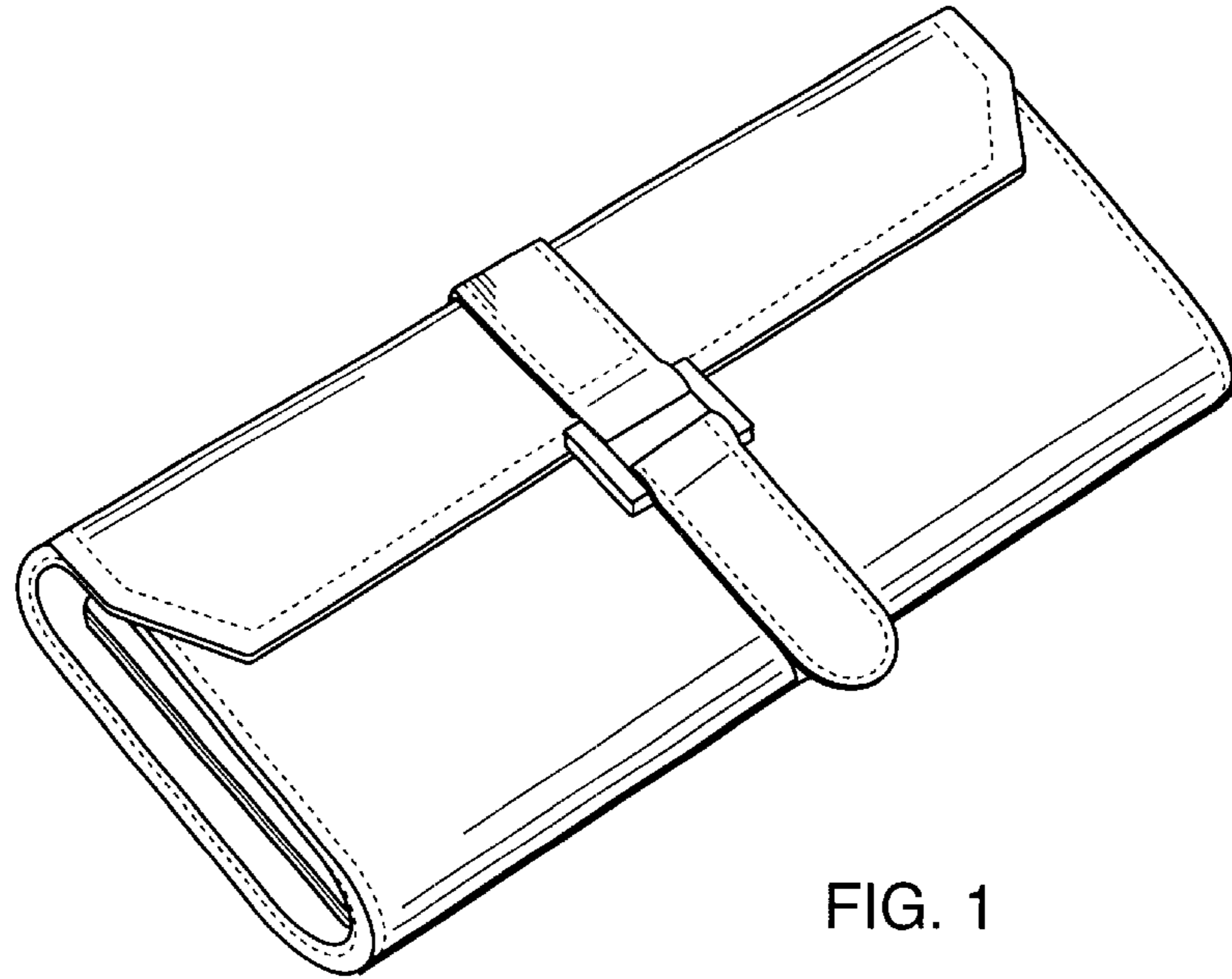


FIG. 1

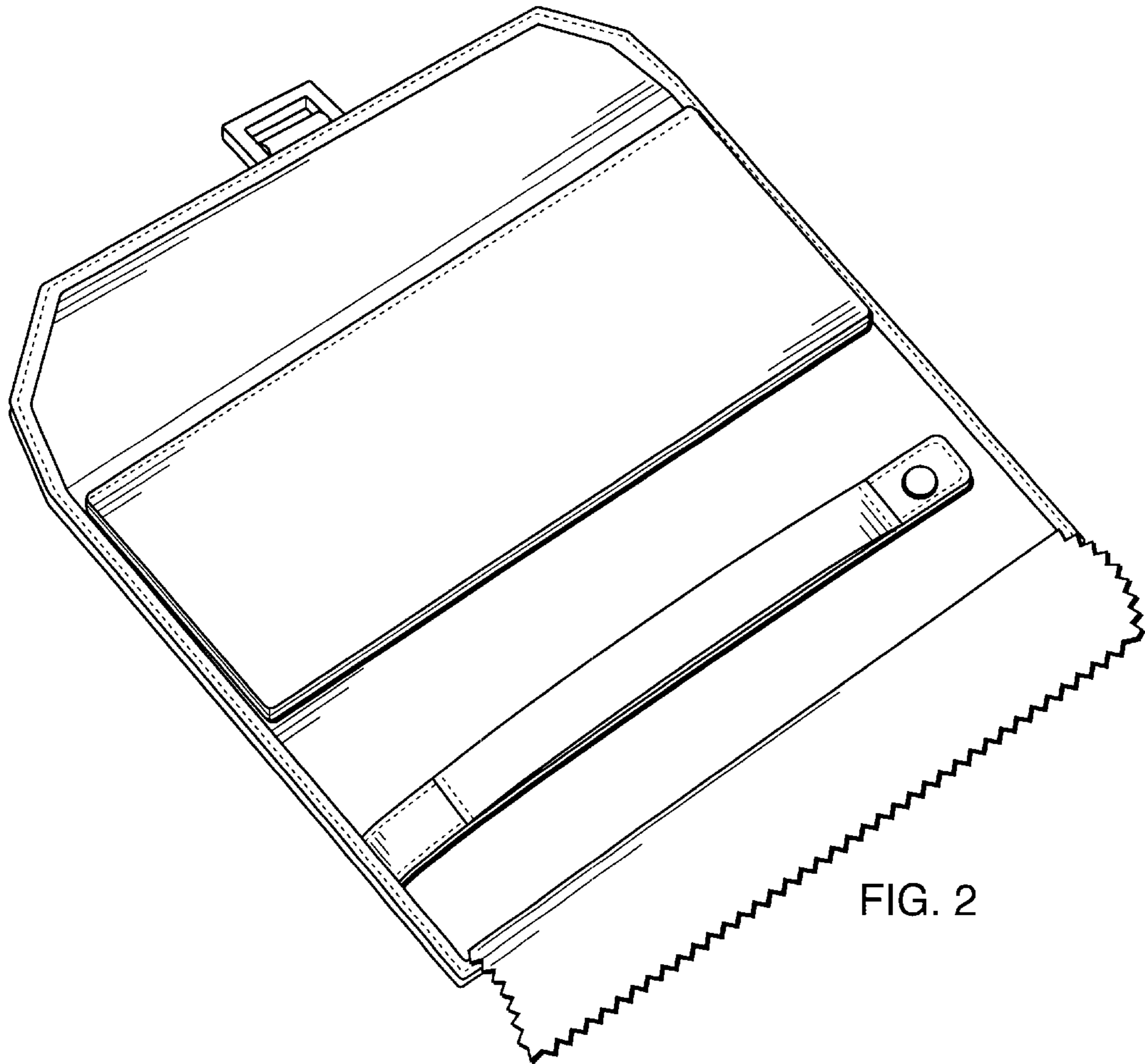


FIG. 2

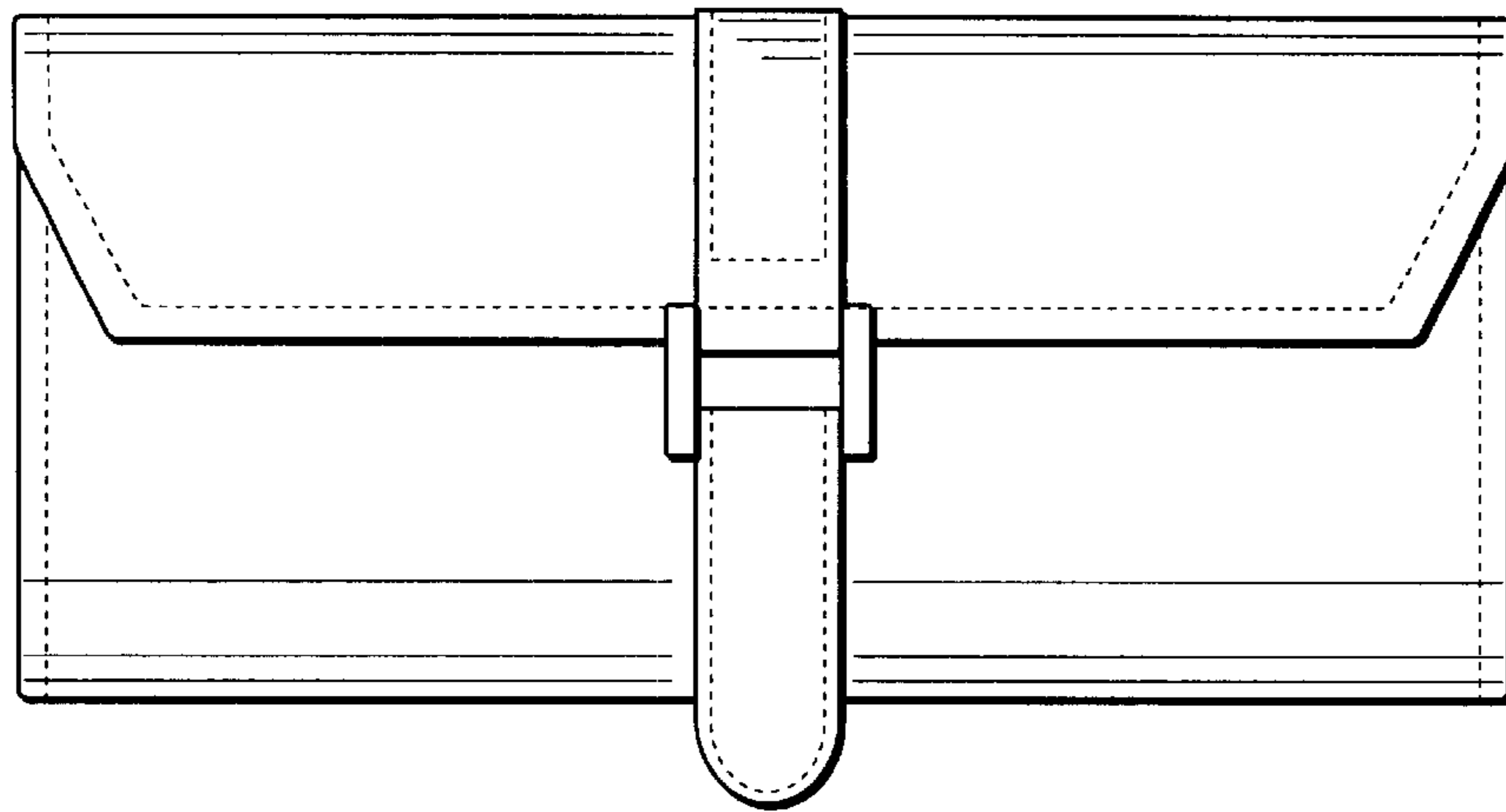


FIG. 3

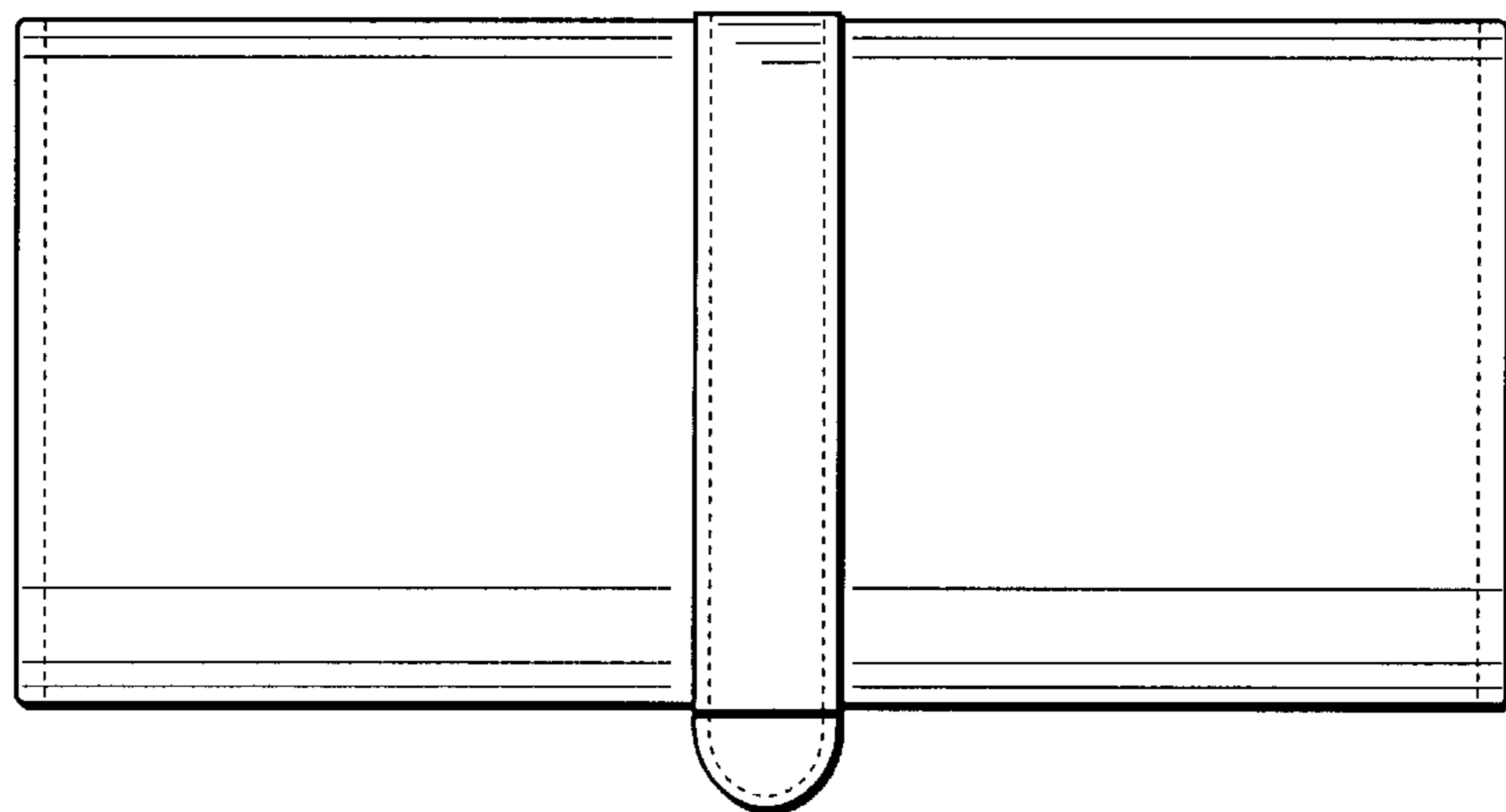


FIG. 4

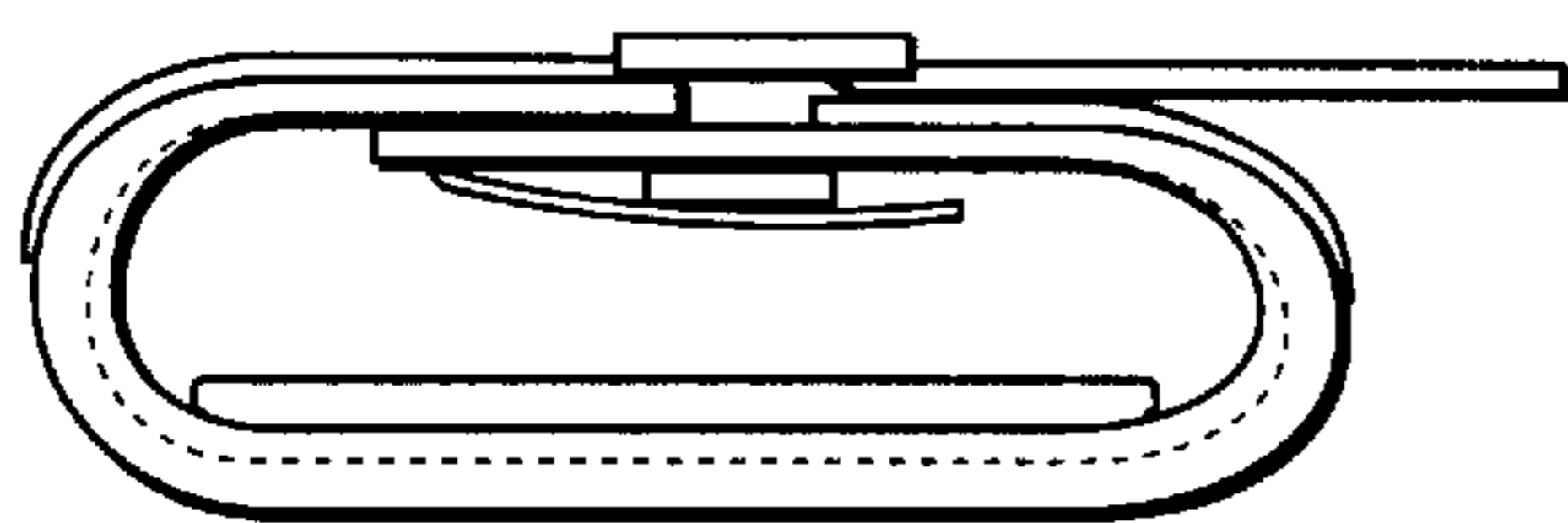


FIG. 5

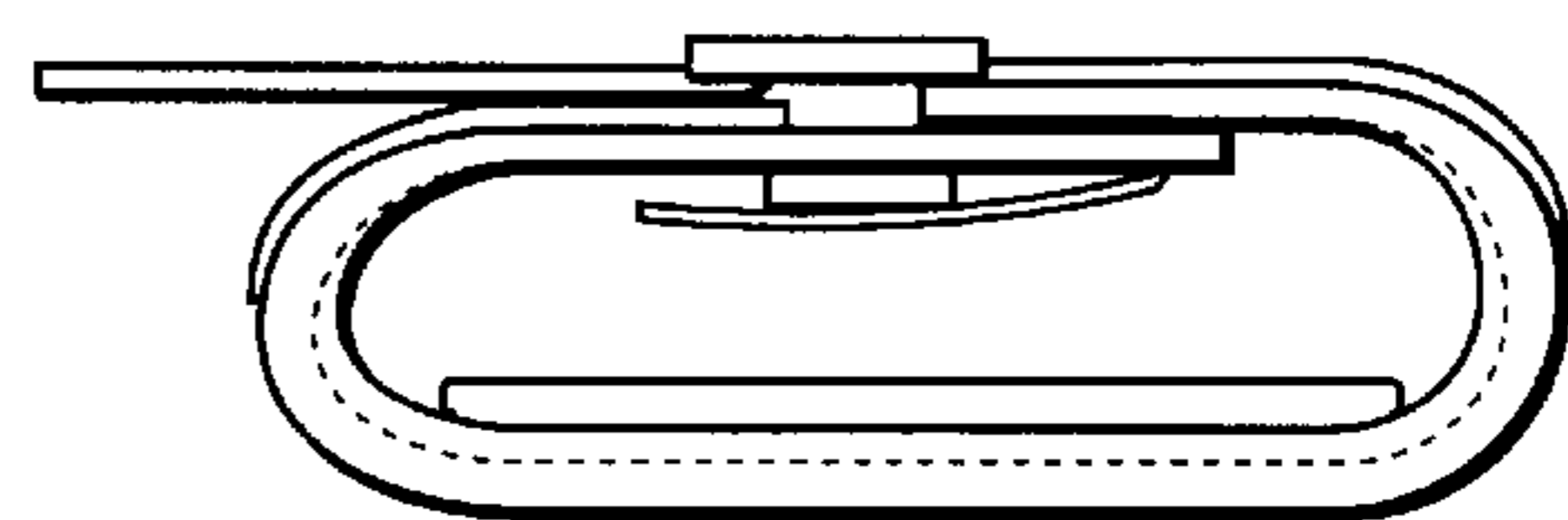


FIG. 6

FIG. 7

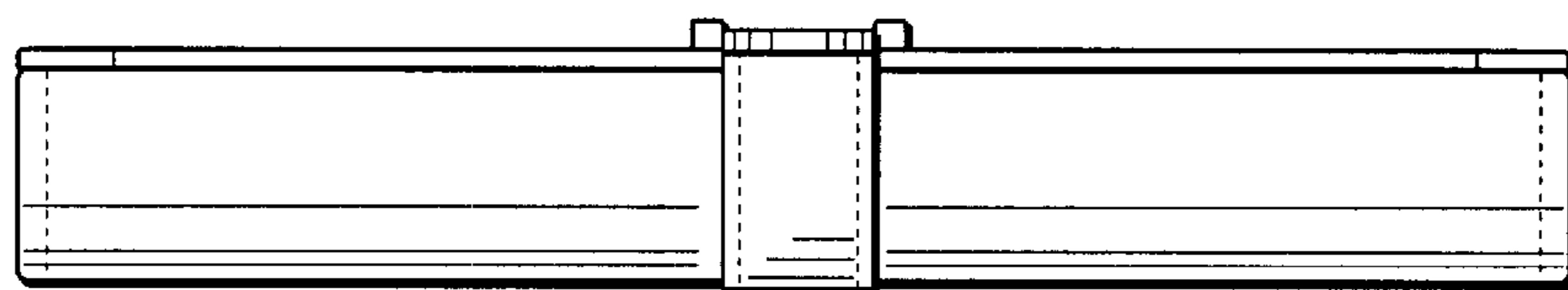


FIG. 8

