



US00D458751S

(12) **United States Design Patent**
Hsieh

(10) **Patent No.:** **US D458,751 S**

(45) **Date of Patent:** **** Jun. 18, 2002**

(54) **TOOL BOX FOR HAND POWER PULLER**

(76) **Inventor:** **Ching-Fong Hsieh**, P.O. Box 697,
Feng-Yuan City 420 (TW)

(**) **Term:** **14 Years**

(21) **Appl. No.:** **29/143,617**

(22) **Filed:** **Jun. 13, 2001**

(51) **LOC (7) Cl.** **03-01**

(52) **U.S. Cl.** **D3/294; D3/905; D3/273**

(58) **Field of Search** **D3/272, 273, 276,**
D3/281, 282, 283, 294, 302, 905; 206/349,
372, 373, 379

(56) **References Cited**

U.S. PATENT DOCUMENTS

D205,579 S	*	8/1966	Schurman	D3/281
D205,580 S	*	8/1966	Schurman	D3/281
D275,339 S	*	9/1984	McKinnon	D13/164
D293,583 S	*	1/1988	Dunlap	D15/7
D343,063 S	*	1/1994	Chen	D3/282

D358,257 S	*	5/1995	Sidabras et al.	D3/282
D358,408 S	*	5/1995	McGarry	D14/374
D369,240 S	*	4/1996	Newby, Sr.	D3/268
D391,760 S	*	3/1998	Zeller	D3/276

* cited by examiner

Primary Examiner—Philip S. Hyder

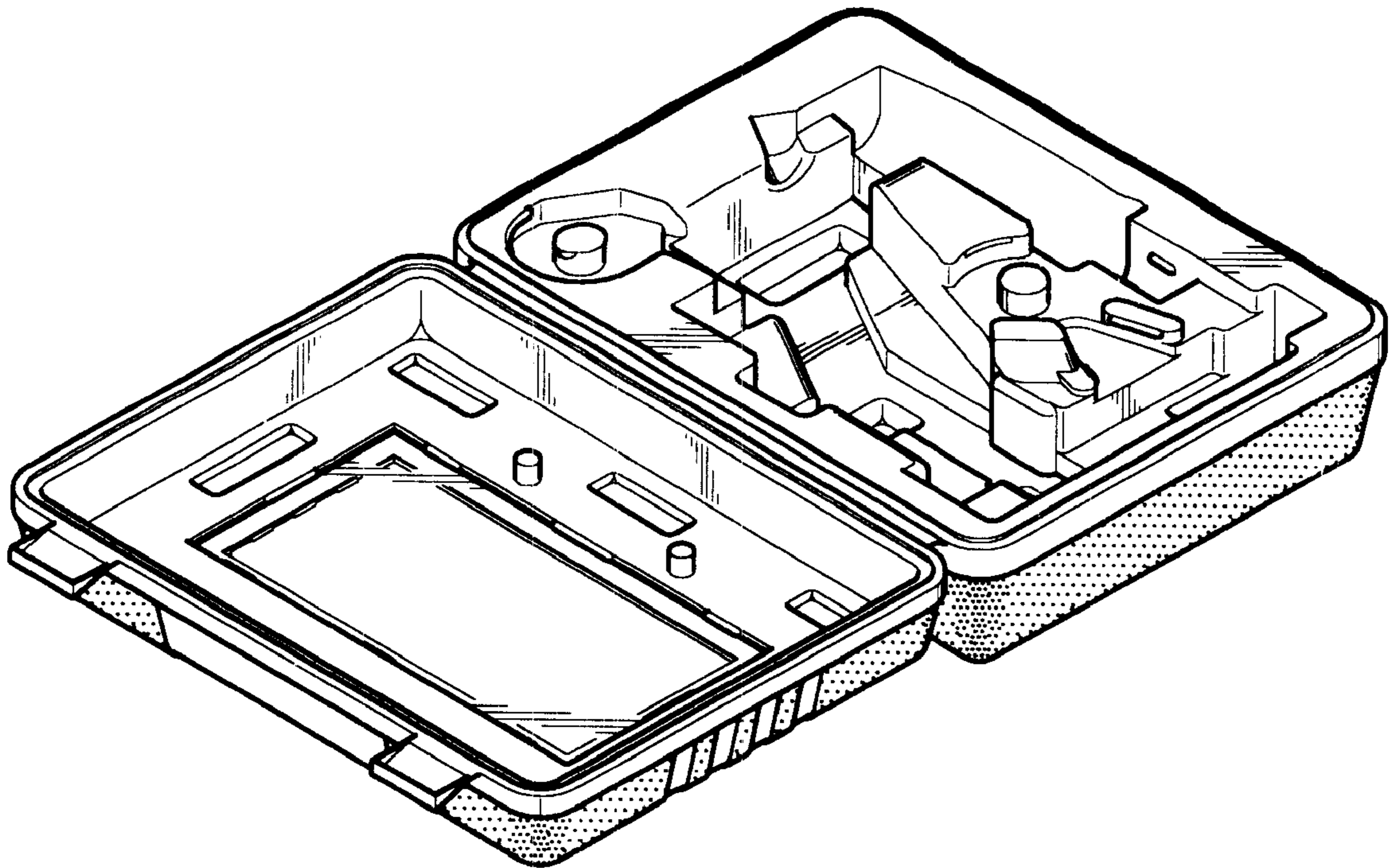
(57) **CLAIM**

The ornamental design for a tool box for hand power puller, as shown.

DESCRIPTION

FIG. 1 is a perspective view of a tool box for hand power puller showing my new design;
 FIG. 2 is a right side elevational view thereof;
 FIG. 3 is a top plan view thereof;
 FIG. 4 is a front elevational view thereof;
 FIG. 5 is a bottom plan view thereof;
 FIG. 6 is a left side elevational view thereof; and,
 FIG. 7 is a rear elevational view thereof.

1 Claim, 4 Drawing Sheets



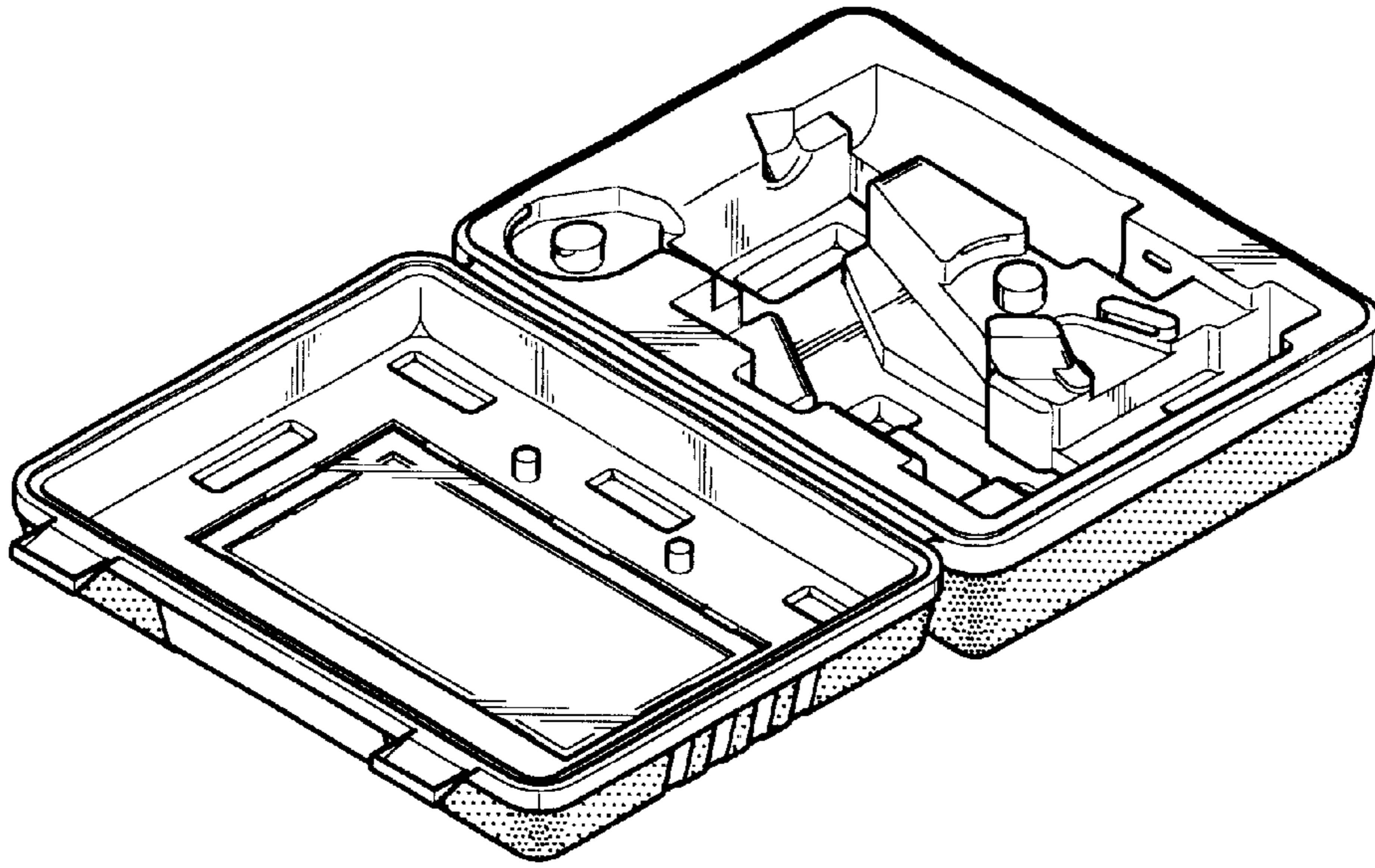


FIG. 1

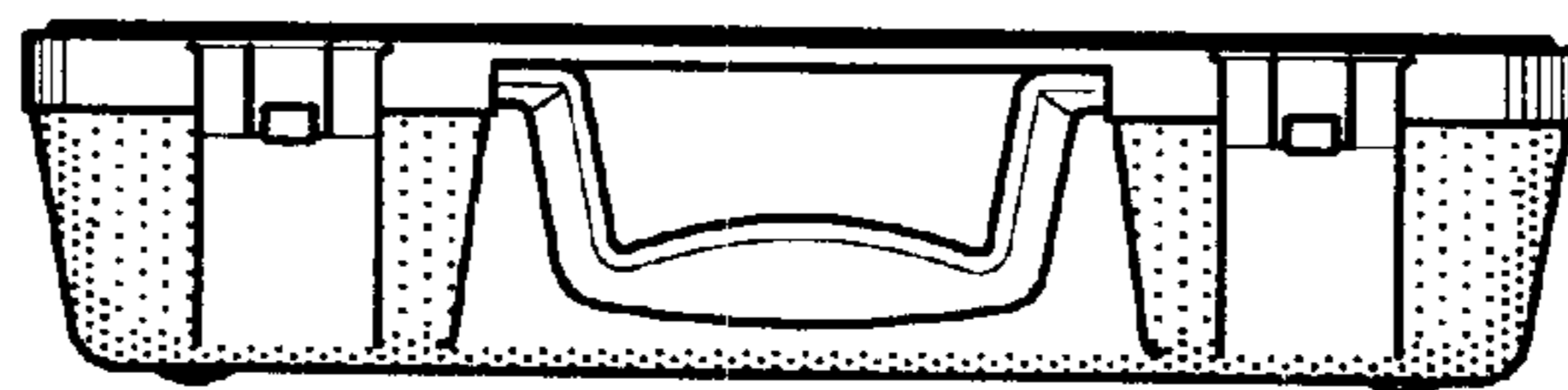


FIG. 2

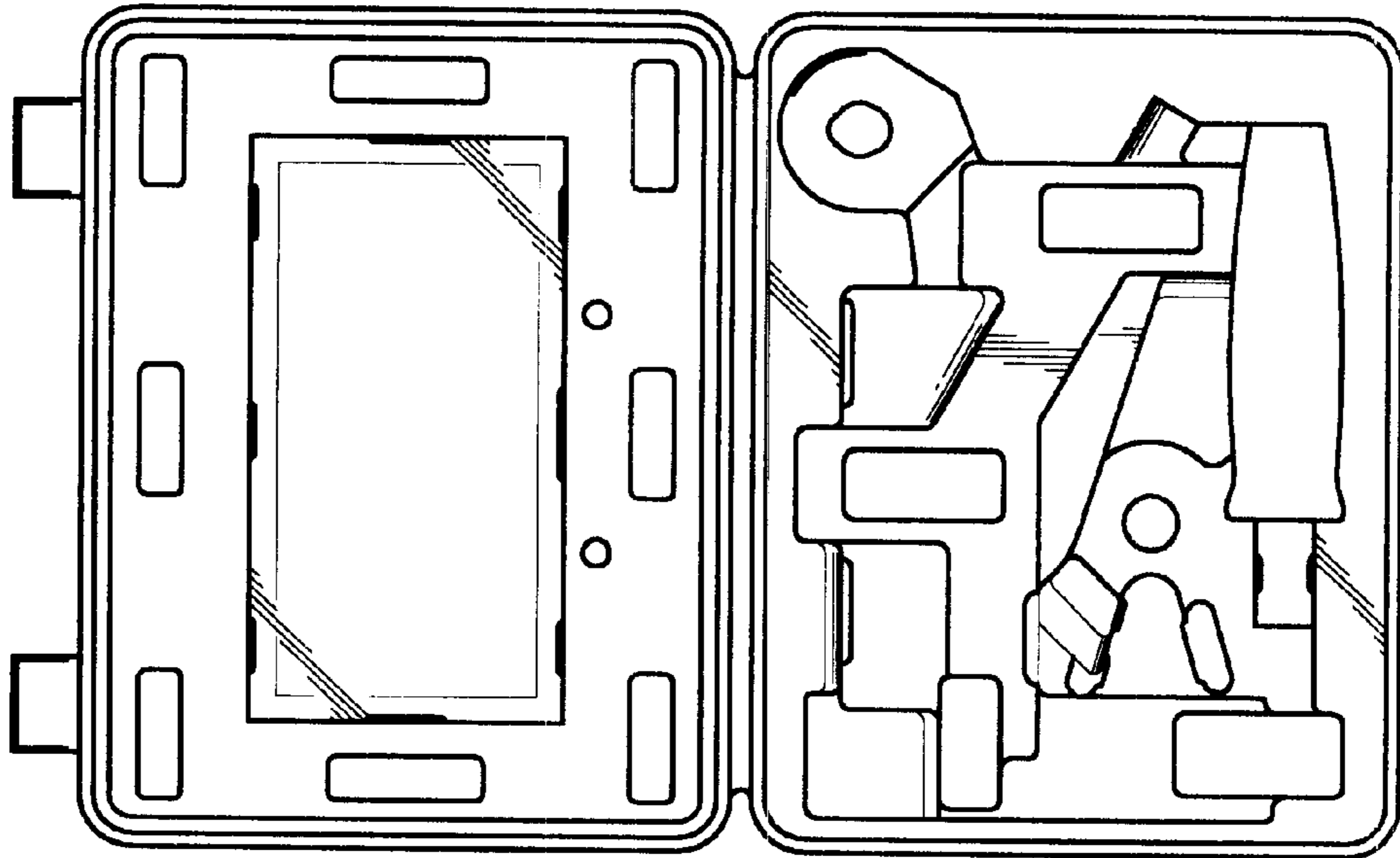


FIG. 3

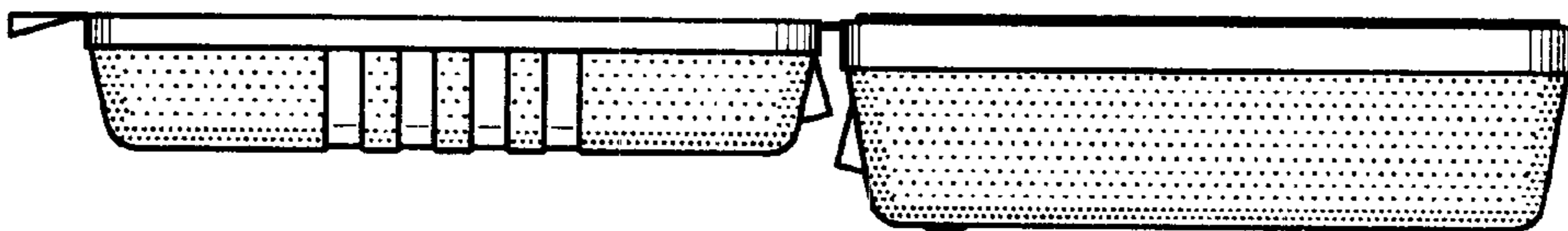


FIG. 4

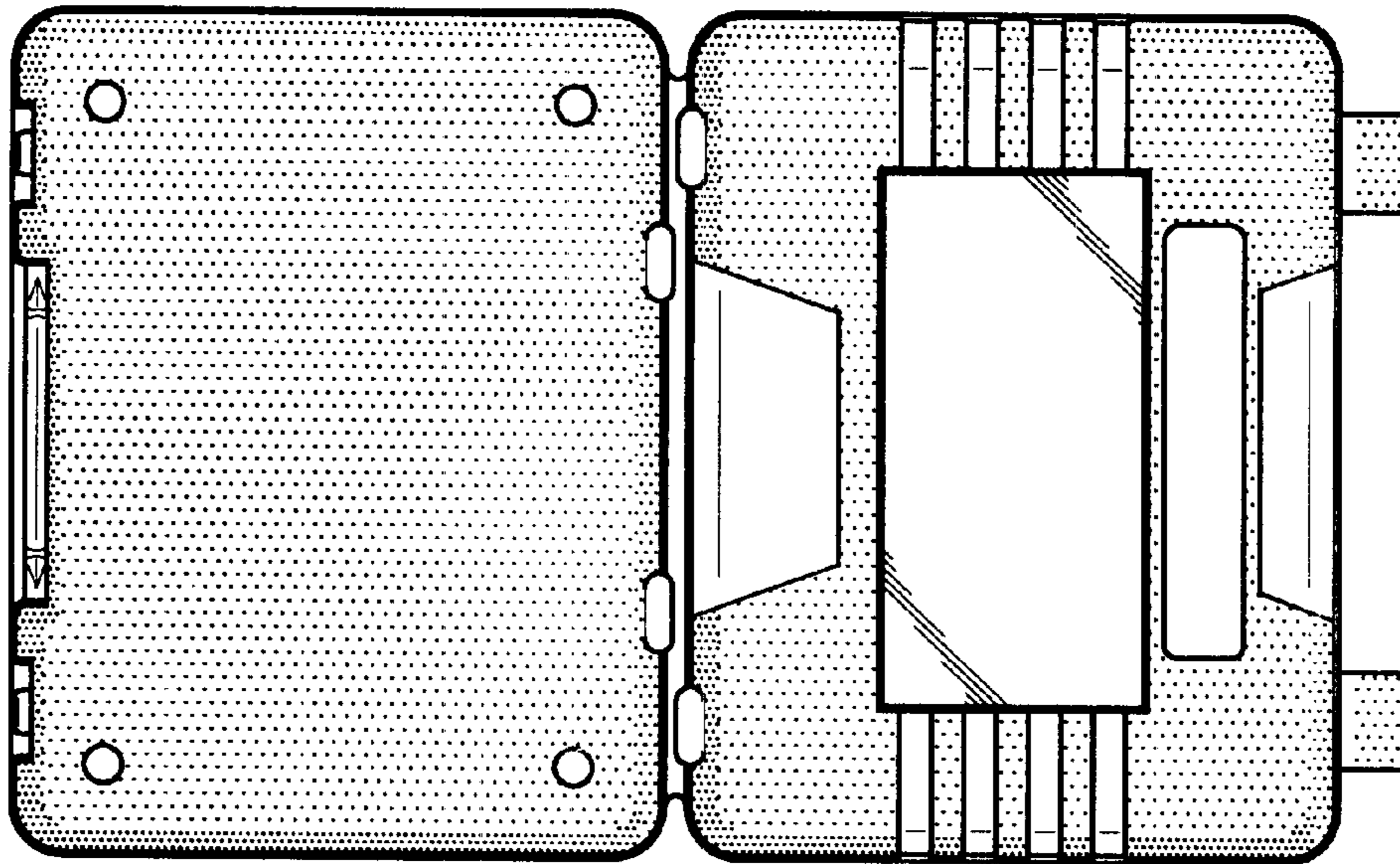


FIG. 5

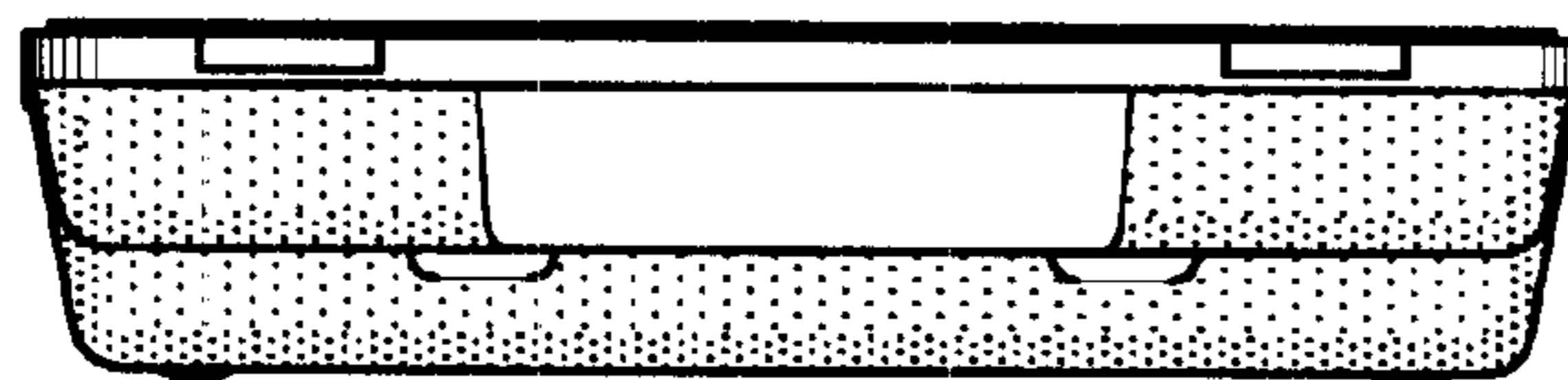


FIG. 6

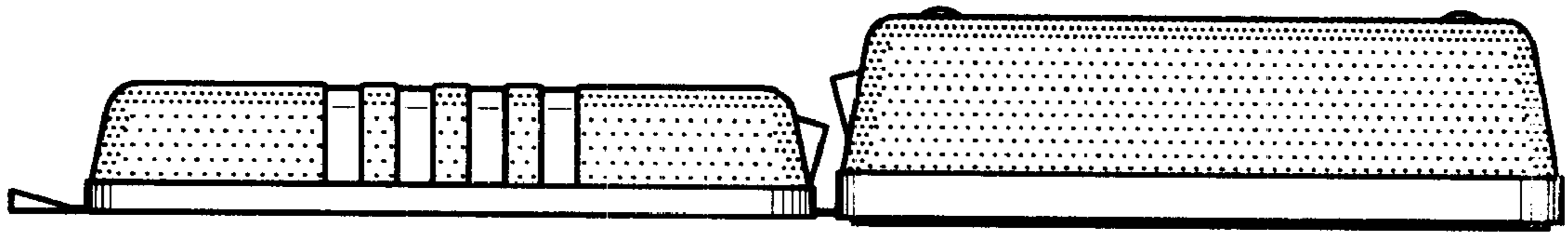


FIG. 7