



US00D458749S

(12) **United States Design Patent**
Bruni et al.

(10) **Patent No.:** **US D458,749 S**

(45) **Date of Patent:** **** Jun. 18, 2002**

(54) **CARRYING BAG**

(75) Inventors: **Stephanie M. Bruni; Laurence N. Cohen**, both of Los Angeles, CA (US)

(73) Assignee: **Ankawha, Inc.**, Los Angeles, CA (US)

(**) Term: **14 Years**

(21) Appl. No.: **29/142,643**

(22) Filed: **May 30, 2001**

(51) **LOC (7) Cl.** **03-01**

(52) **U.S. Cl.** **D3/289; D3/276**

(58) **Field of Search** D3/273, 276, 283, D3/287, 289, 299, 301, 303, 900; 190/100, 109, 110, 108, 111, 112, 900

(56) **References Cited**

U.S. PATENT DOCUMENTS

4,852,293	A	*	8/1989	Levine et al.	190/110
D379,267	S	*	5/1997	Roegner	D3/285
D417,782	S	*	12/1999	Tawil	D3/283
D441,533	S	*	5/2001	Tawil	D3/276
D443,983	S	*	6/2001	Hillman	D3/276

D444,297	S	*	7/2001	Starck	D3/276
D444,298	S	*	7/2001	Starck	D3/276
D444,627	S	*	7/2001	Starck	D3/276
D444,945	S	*	7/2001	Starck	D3/276
D445,252	S	*	7/2001	Klamm	D3/276

* cited by examiner

Primary Examiner—Philip S. Hyder

(74) *Attorney, Agent, or Firm*—Michael Zarrabian

(57) **CLAIM**

The ornamental design for a carrying bag, as shown and described.

DESCRIPTION

FIG. 1 is a side perspective view of a carrying bag according to the present invention;

FIG. 2 is a side view of the carrying bag of FIG. 1;

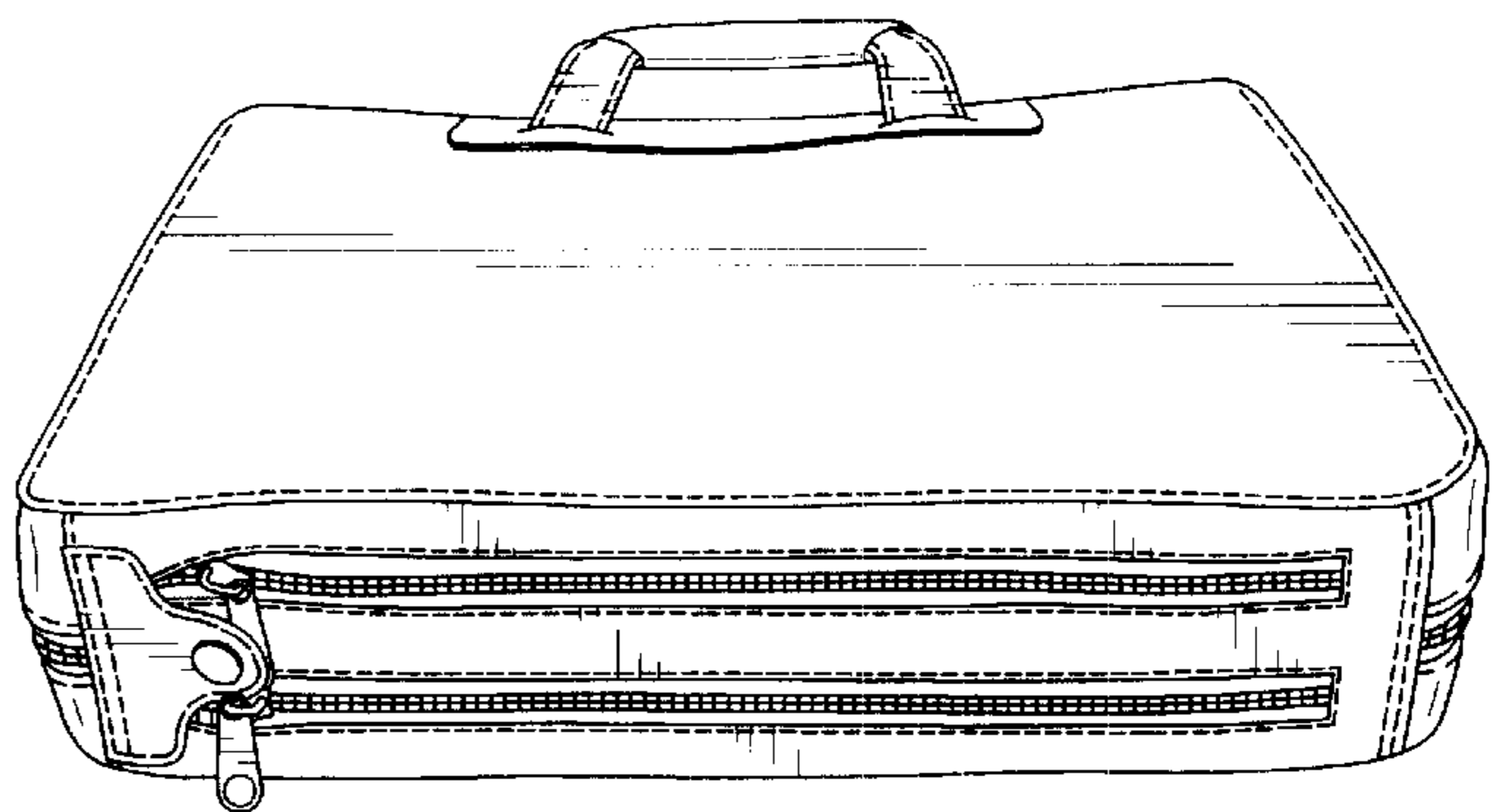
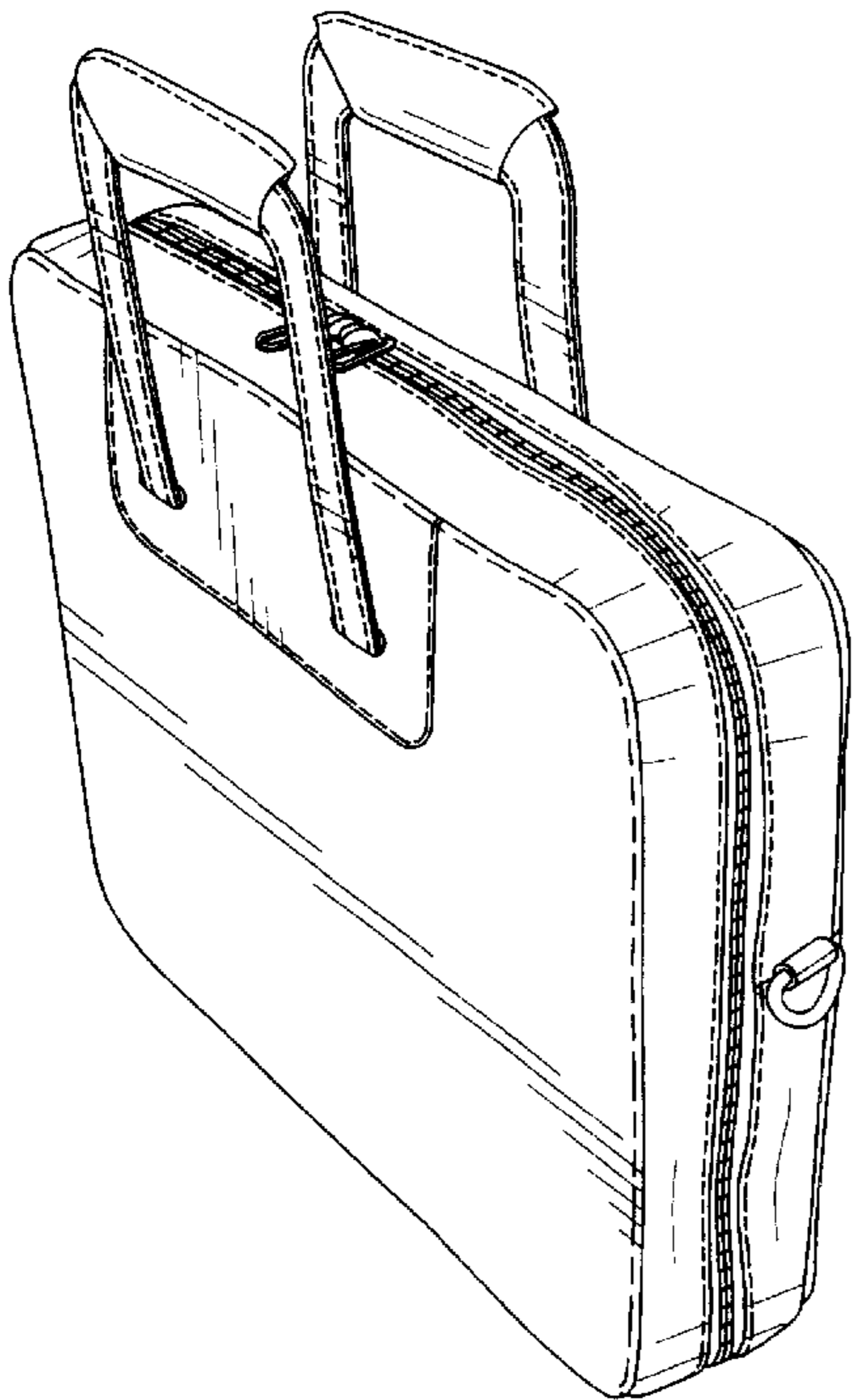
FIG. 3 is a rear perspective view of the carrying bag of FIG. 1;

FIG. 4 is another side view of the carrying bag of FIG. 1;

FIG. 5 is top view of the carrying bag of FIG. 1; and,

FIG. 6 is a front perspective view of the carrying bag of FIG. 1 in open position showing inside of the carrying bag.

1 Claim, 3 Drawing Sheets



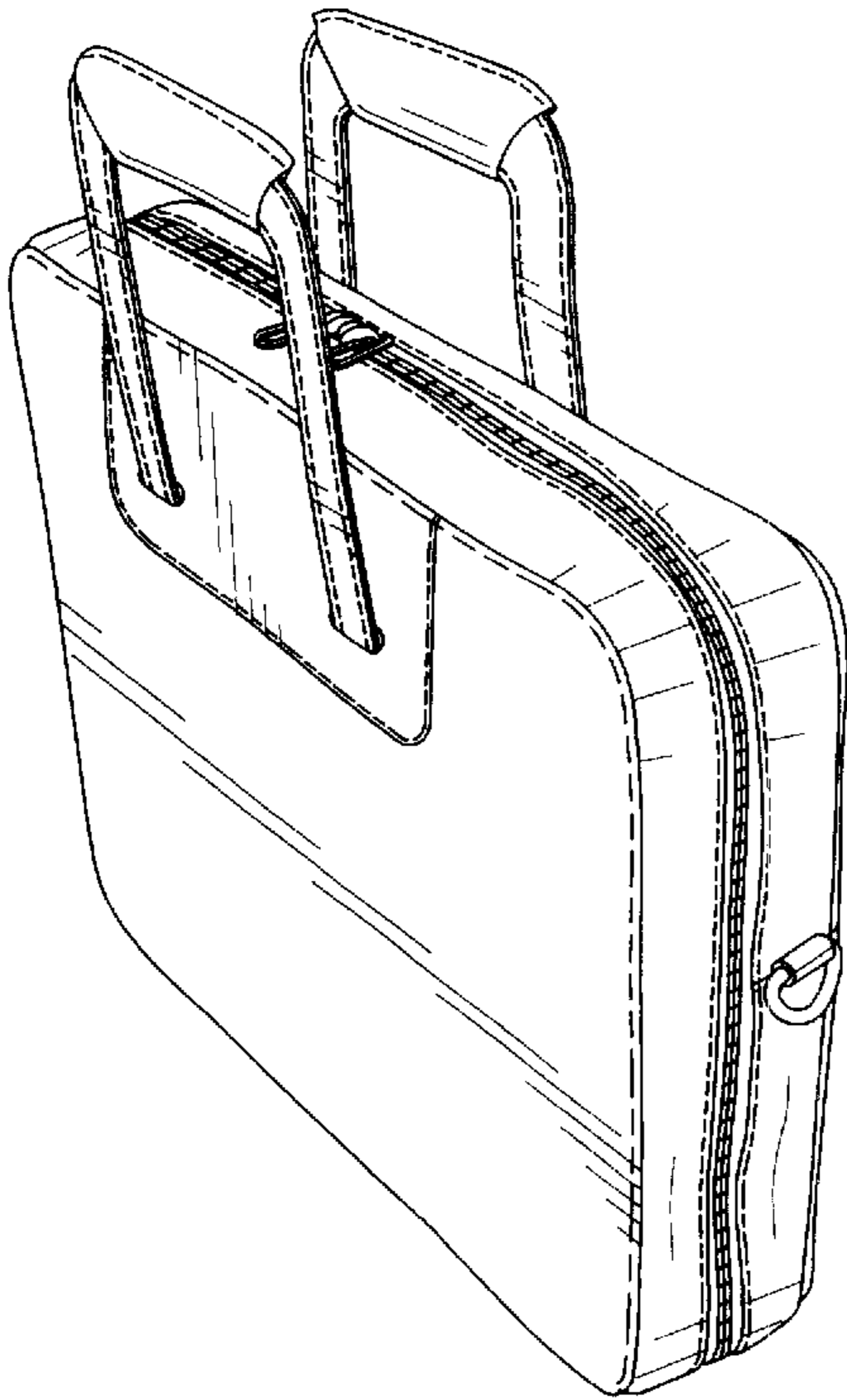


FIG. 1

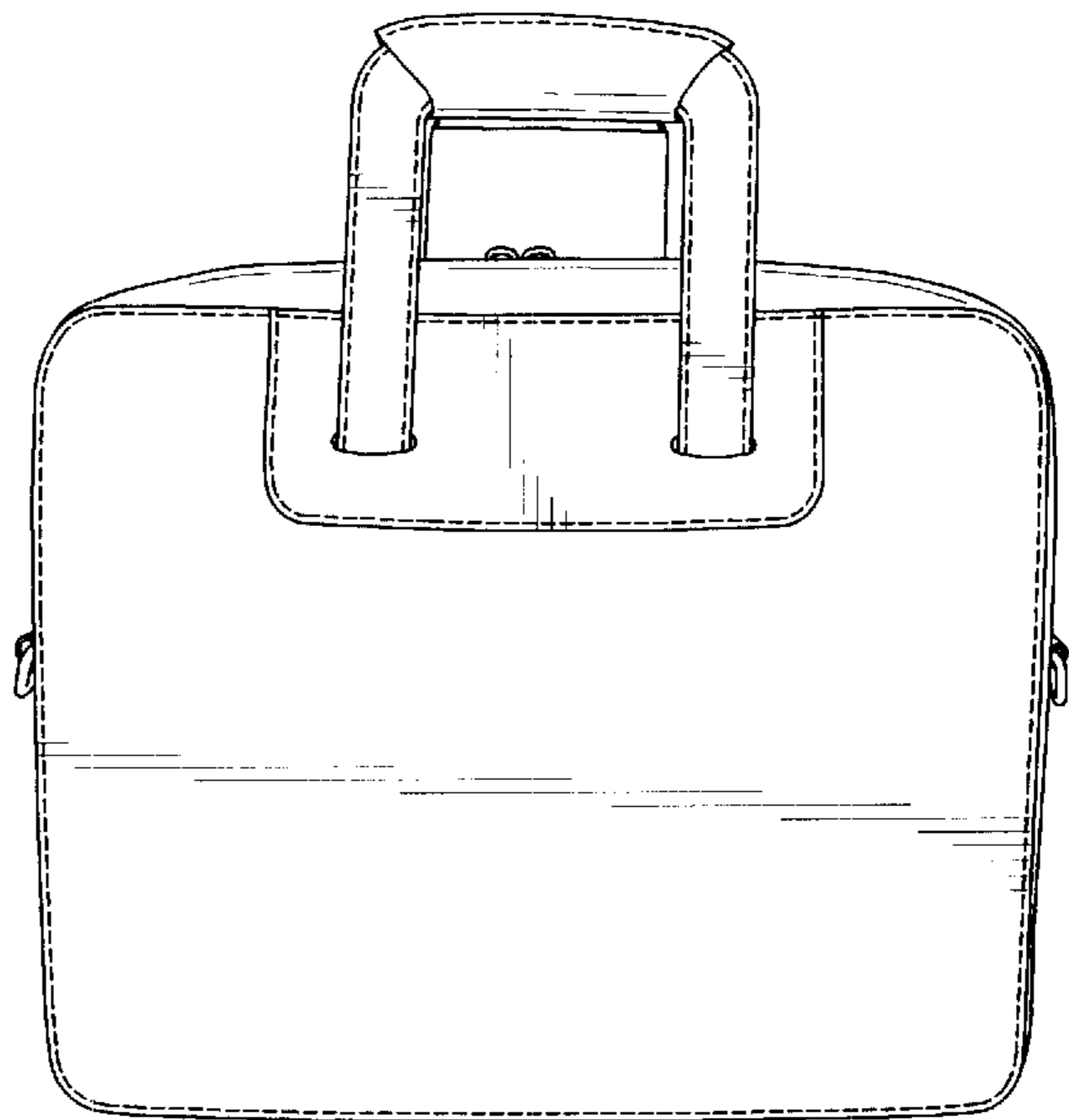


FIG. 2

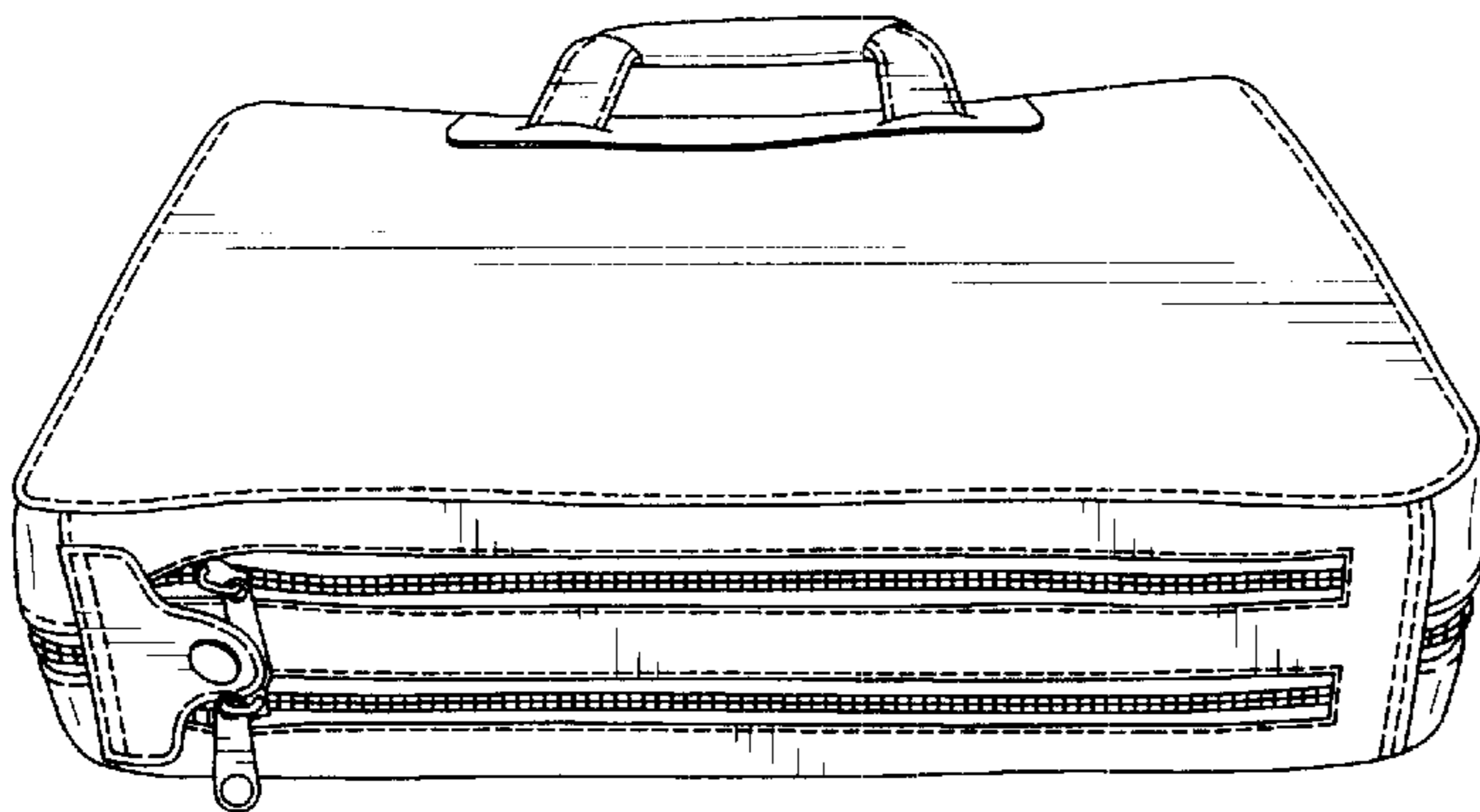


FIG. 3

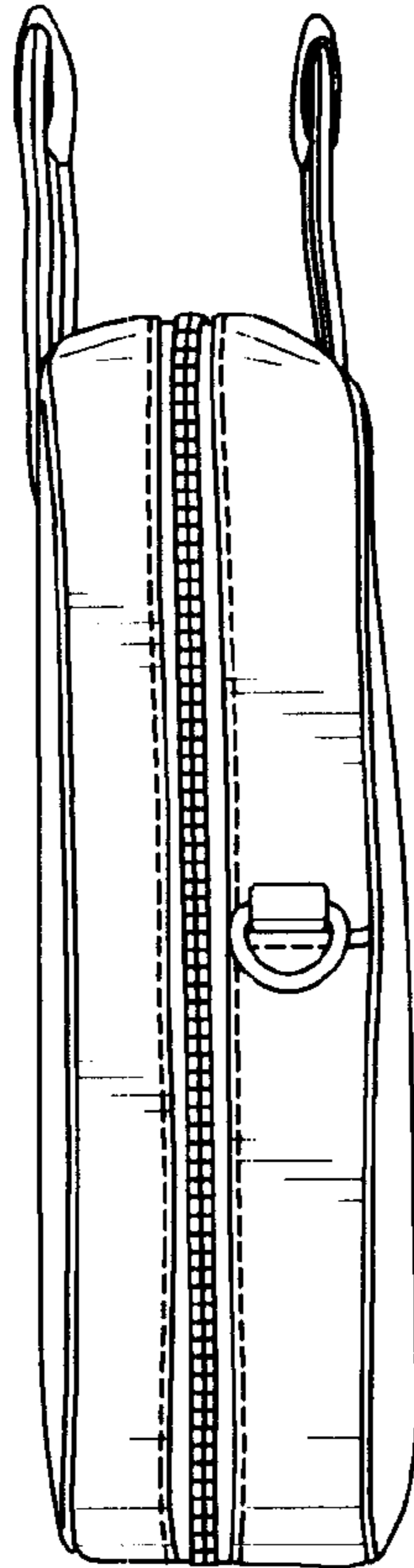


FIG. 4

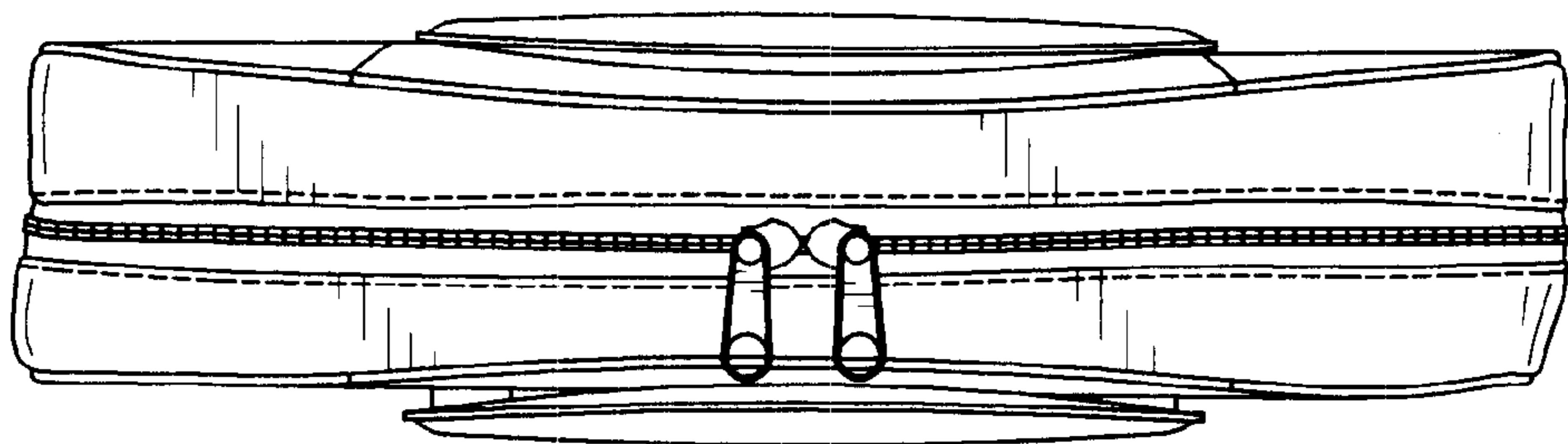


FIG. 5

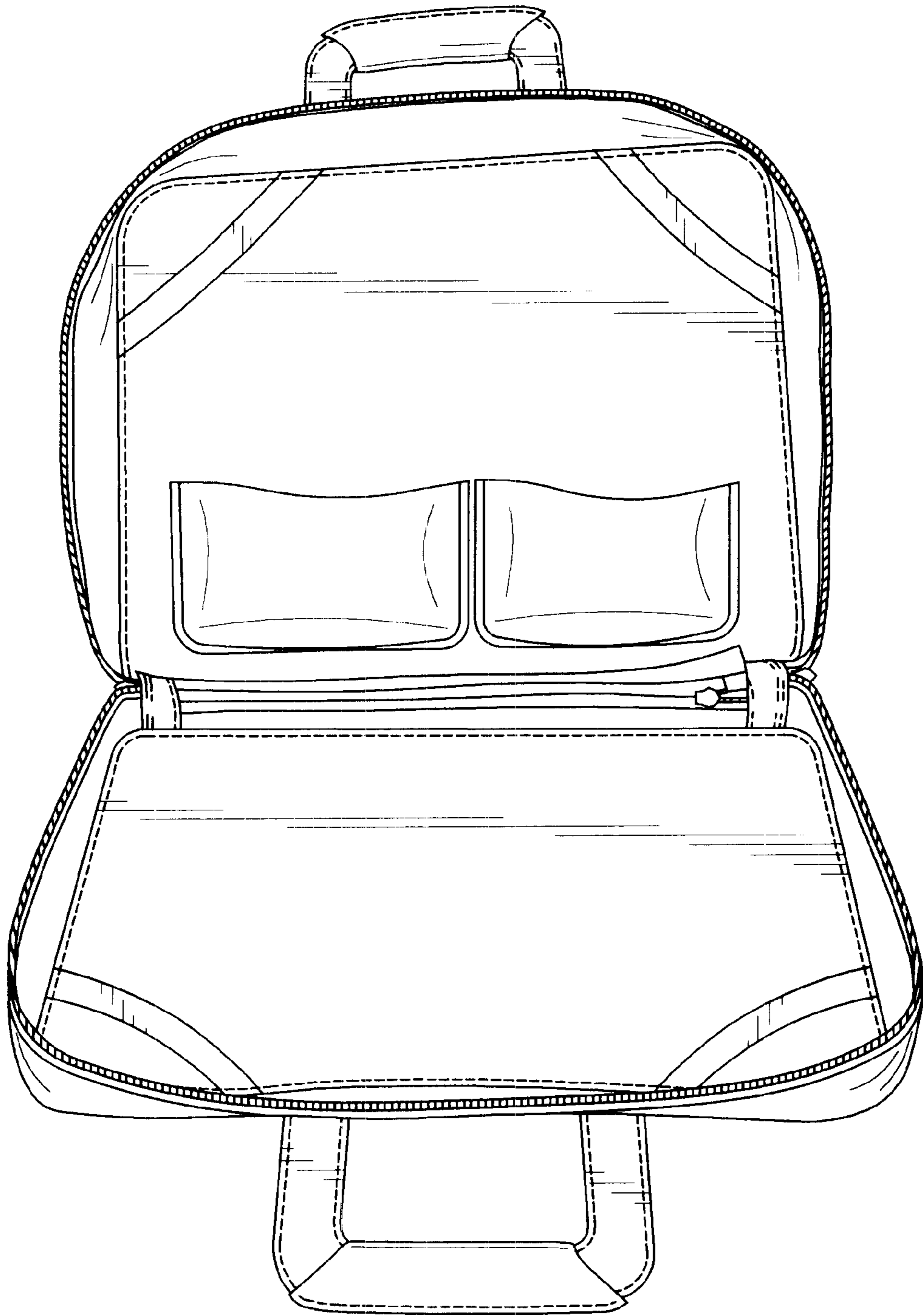


FIG. 6