



US00D458748S

(12) **United States Design Patent**  
**Snider**

(10) **Patent No.:**

**US D458,748 S**

(45) **Date of Patent:**

**\*\* Jun. 18, 2002**

(54) **STORAGE CASE**

(75) **Inventor: Gregory Scott Snider, Bel Air, MD (US)**

(73) **Assignee: Black & Decker Inc., Newark, DE (US)**

(\*\*) **Term: 14 Years**

(21) **Appl. No.: 29/140,943**

(22) **Filed: Apr. 25, 2001**

(51) **LOC (7) Cl. .... 03-01**

(52) **U.S. Cl. .... D3/282**

(58) **Field of Search .... D3/273, 276, 281, D3/294, 292, 291, 905; 206/349, 372, 373; 190/100, 110, 111**

(56) **References Cited**

**U.S. PATENT DOCUMENTS**

D271,918 S	12/1983	Ramirez	.....	D3/905
4,848,571 A	7/1989	Fullar	.....	206/372
4,896,771 A	1/1990	Edwards	.....	206/349
5,078,266 A	1/1992	Rackley	.....	206/349
D324,608 S	3/1992	Forbes	.....	D3/282
D331,662 S	* 12/1992	Melk	.....	D3/282
D368,371 S	4/1996	Calmeise	.....	D3/282

D403,860 S	*	1/1999	Ritchie et al.	.....	D3/282
D404,569 S	*	1/1999	Chen	.....	D3/282
D414,336 S	*	9/1999	Rasmussen	.....	D3/276
D417,781 S		12/1999	Staheli	.....	D3/282
D428,699 S		8/2000	Gibson et al.	.....	D3/282
D429,884 S		8/2000	Zurwelle et al.	.....	D3/281
D429,975 S		8/2000	Marshall-Rees et al.	.....	D7/701
D418,678 S		11/2000	Robson	.....	D3/282

\* cited by examiner

*Primary Examiner*—Philip S. Hyder

(74) *Attorney, Agent, or Firm*—Harness, Dickey & Pierce, P.L.C.

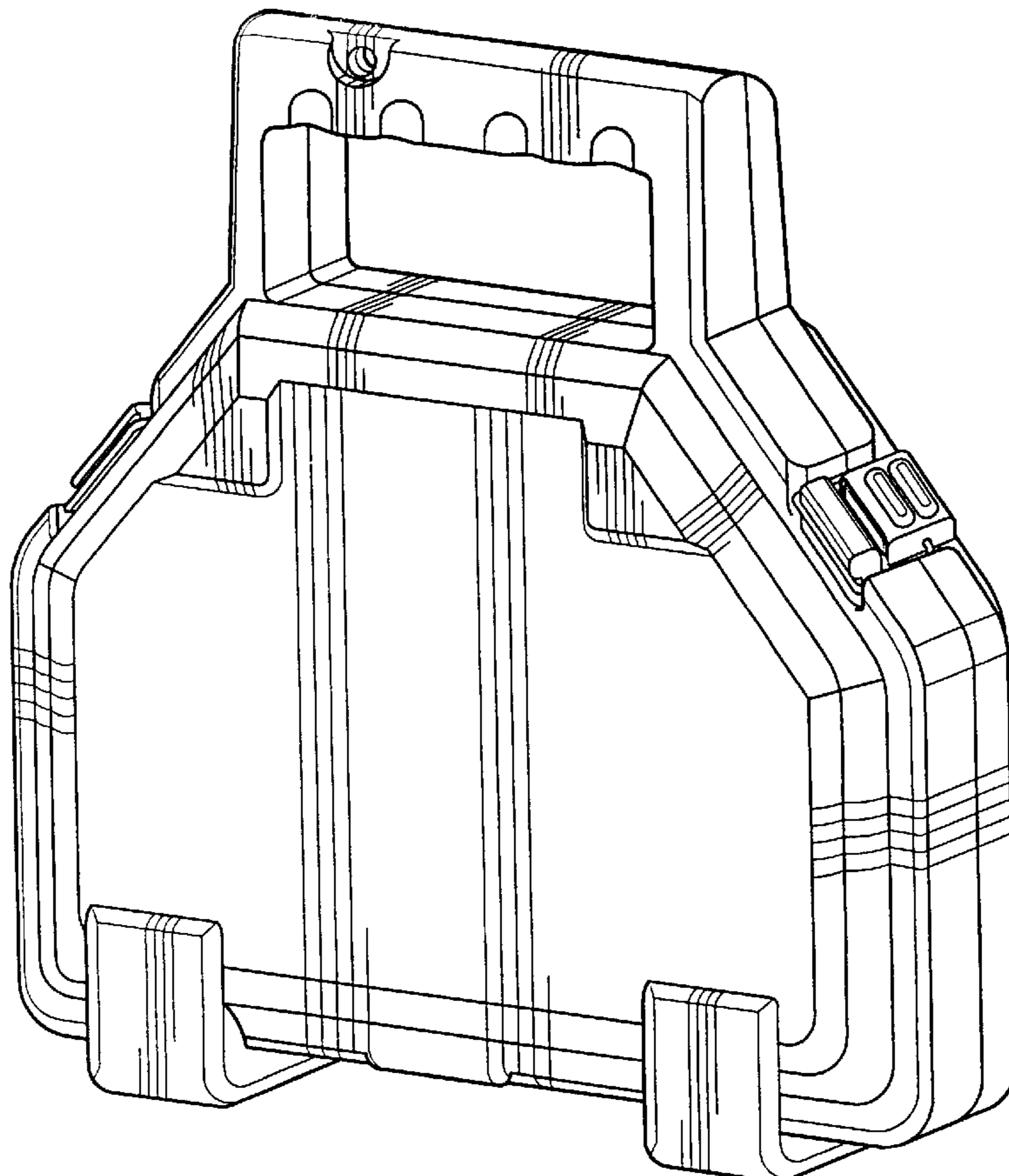
(57) **CLAIM**

The ornamental design for a storage case, as shown and described.

**DESCRIPTION**

FIG. 1 is a perspective view of a storage case; FIG. 2 is a front view thereof; FIG. 3 is a right side view thereof; FIG. 4 is a left side view thereof; FIG. 5 is a rear view thereof; FIG. 6 is a top view thereof; and, FIG. 7 is a bottom view thereof.

**1 Claim, 3 Drawing Sheets**



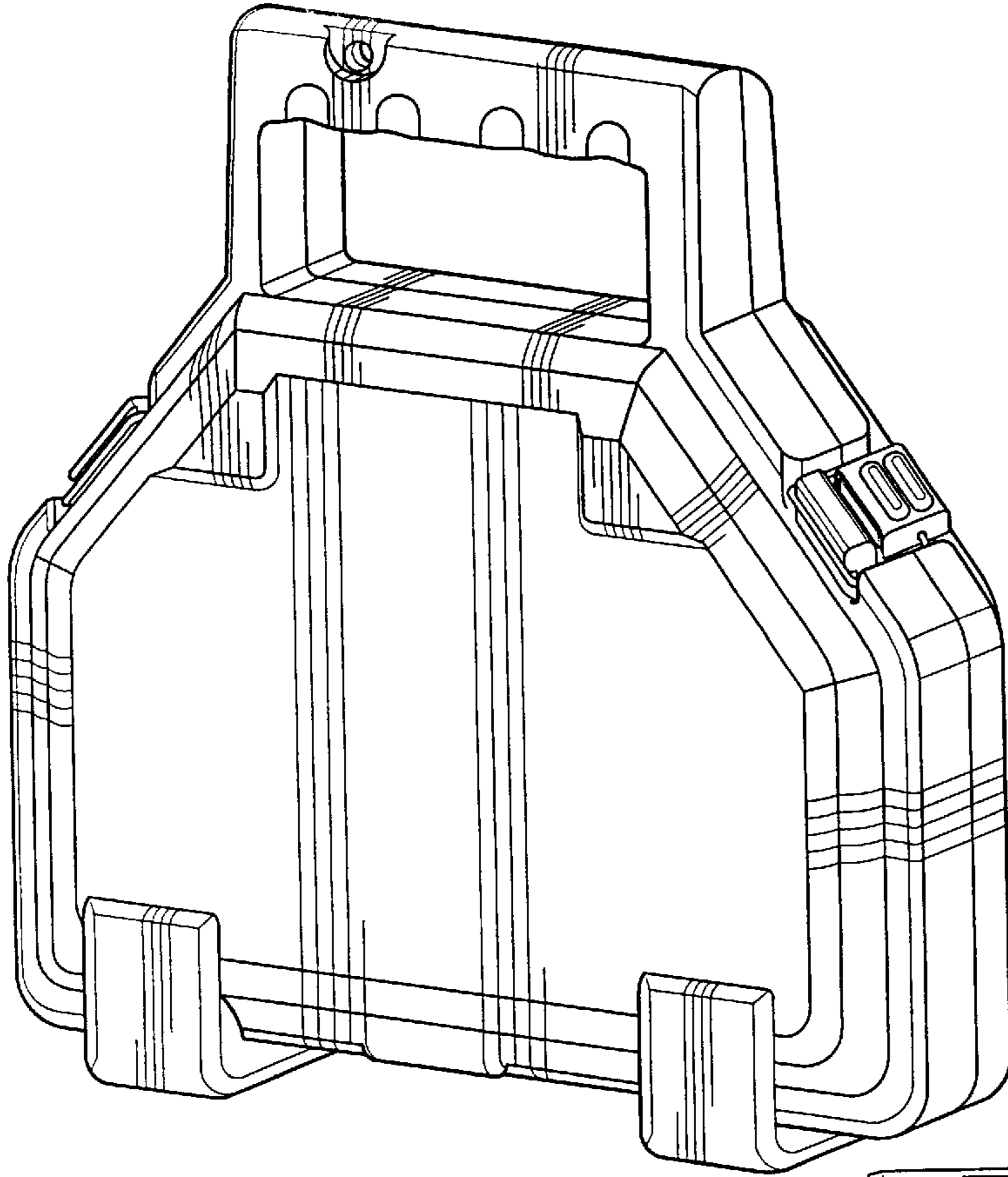


Fig-1

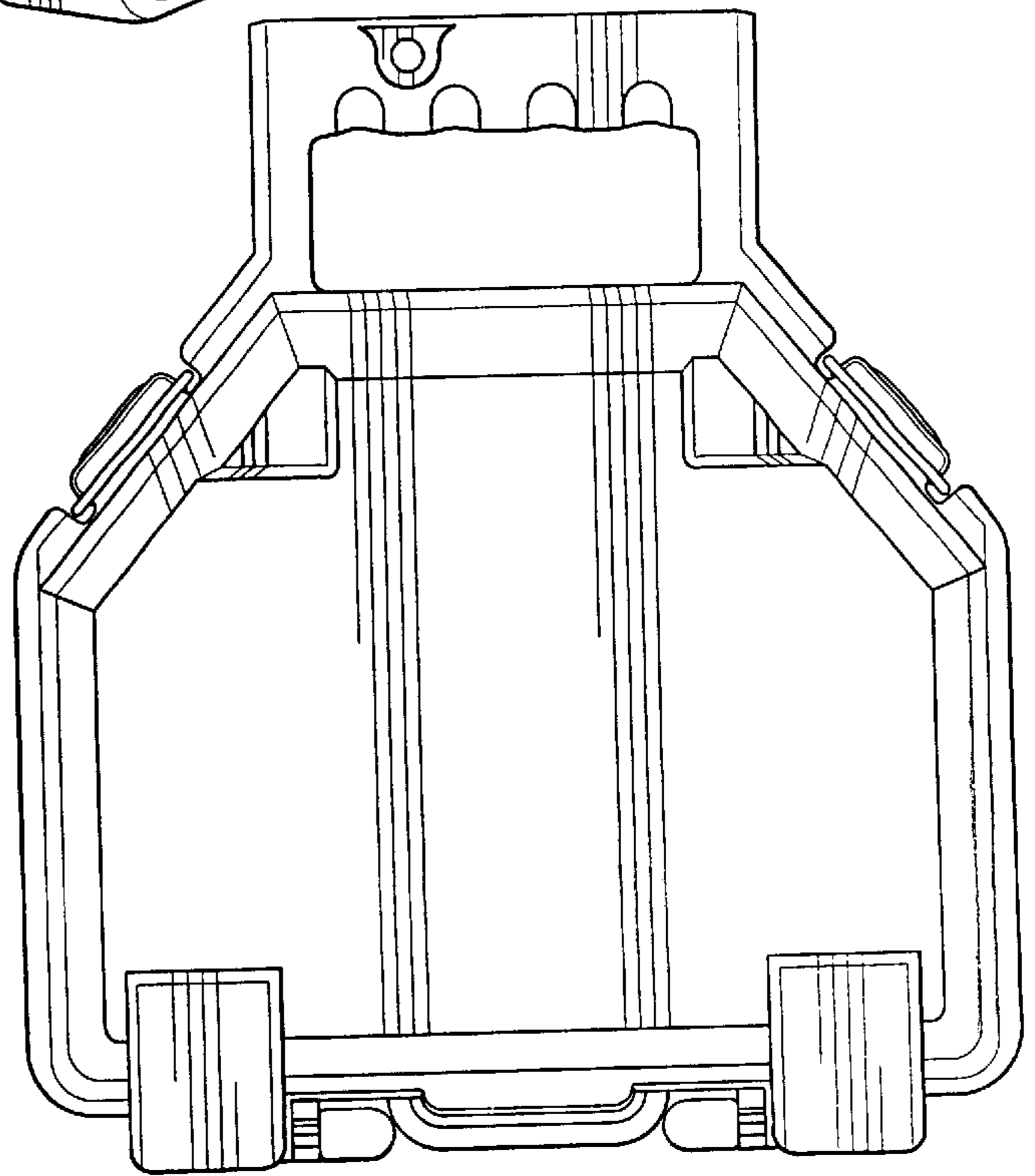


Fig-2

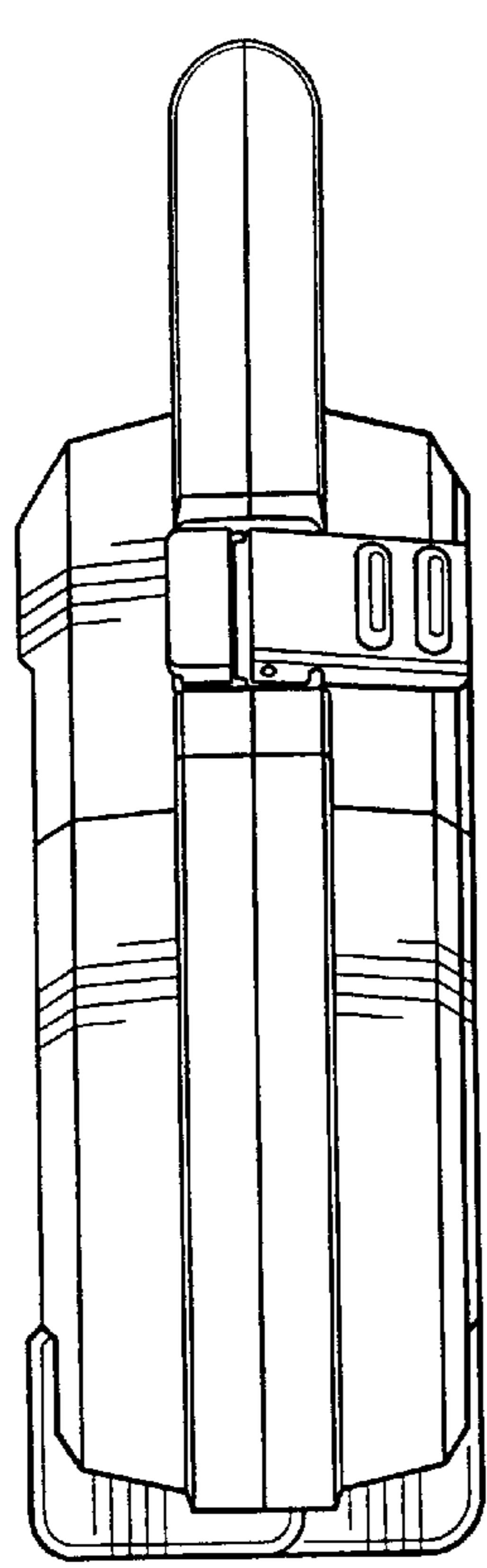


Fig-3

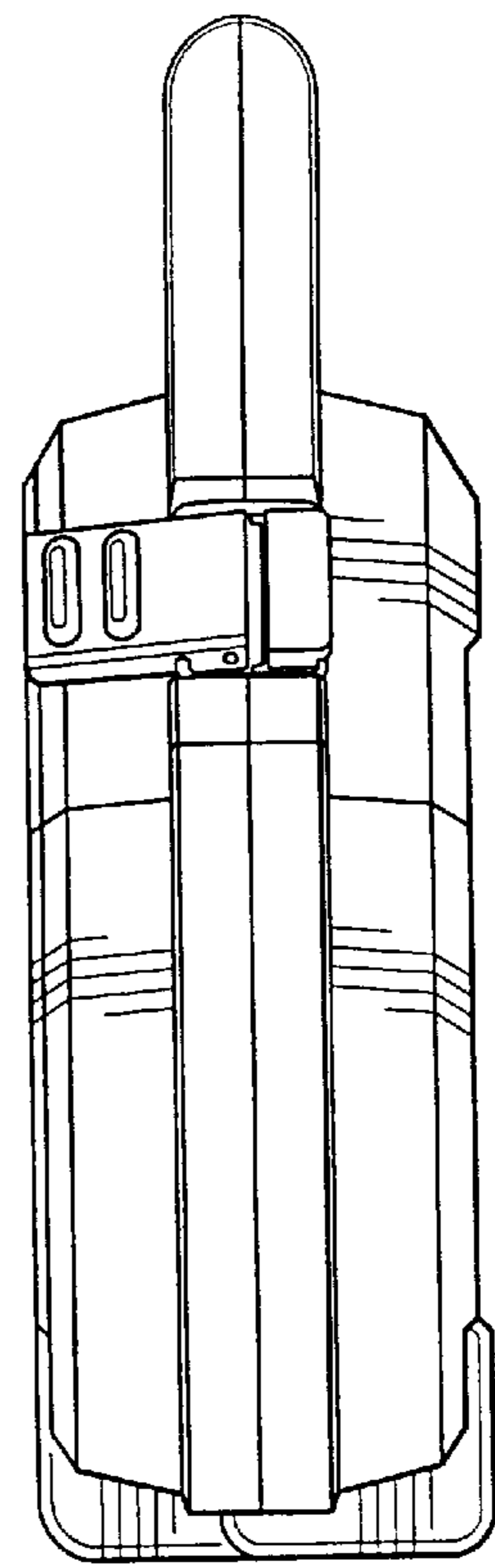


Fig-4

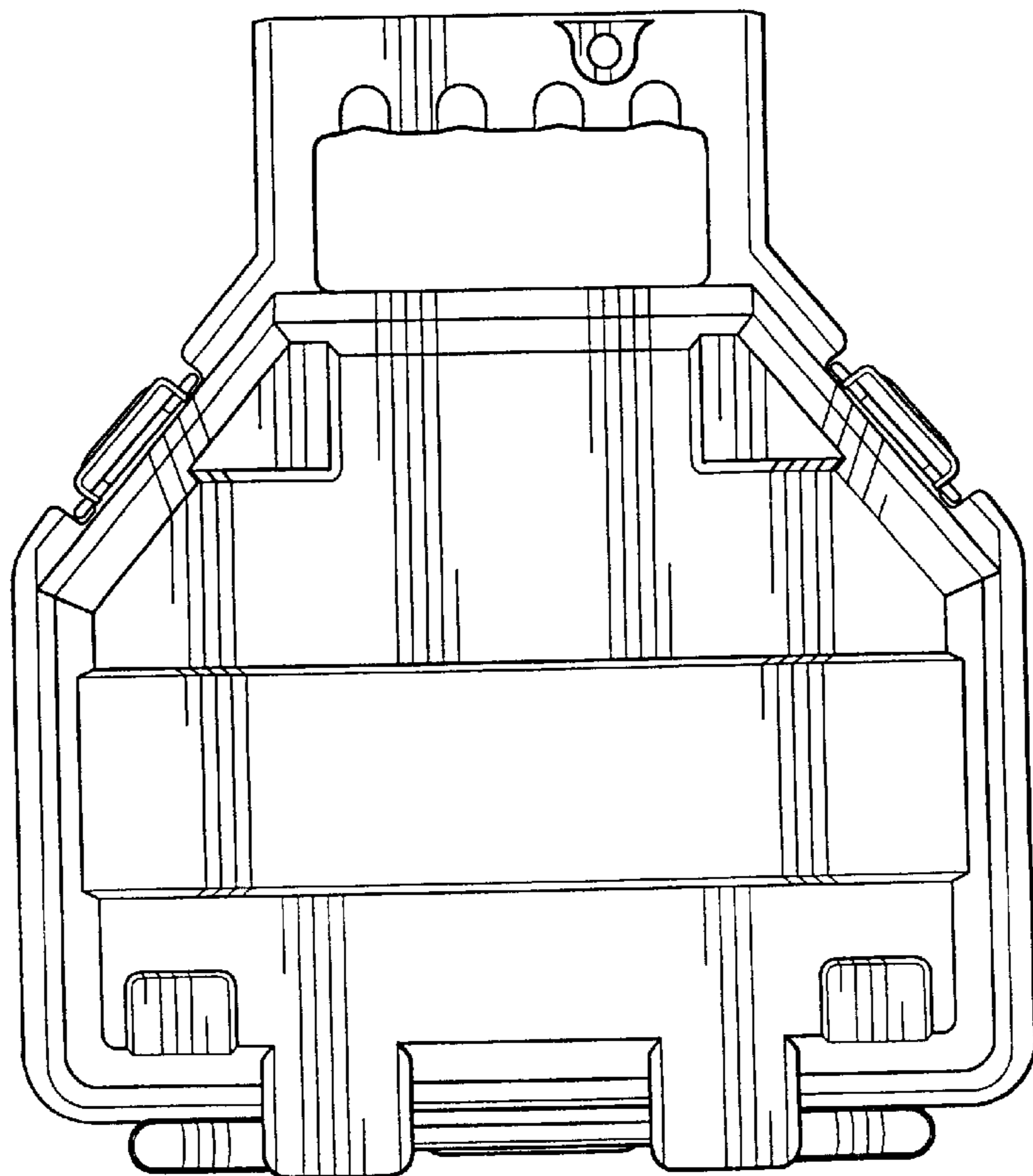


Fig-5

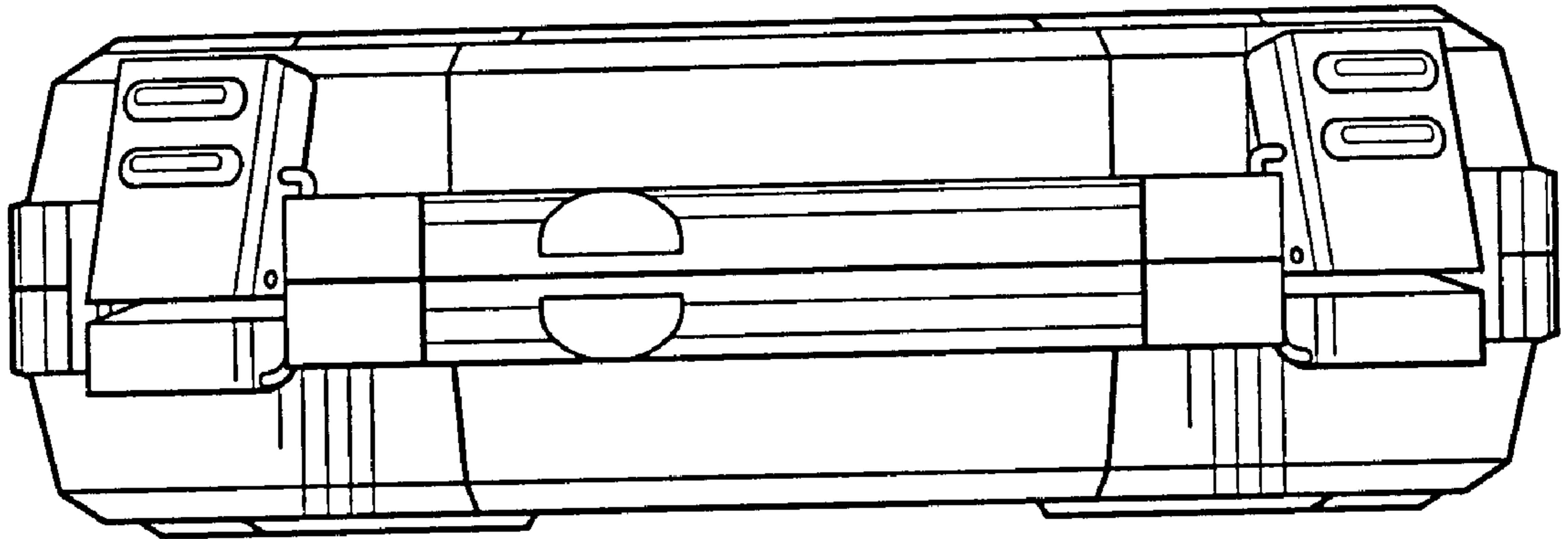


Fig-6

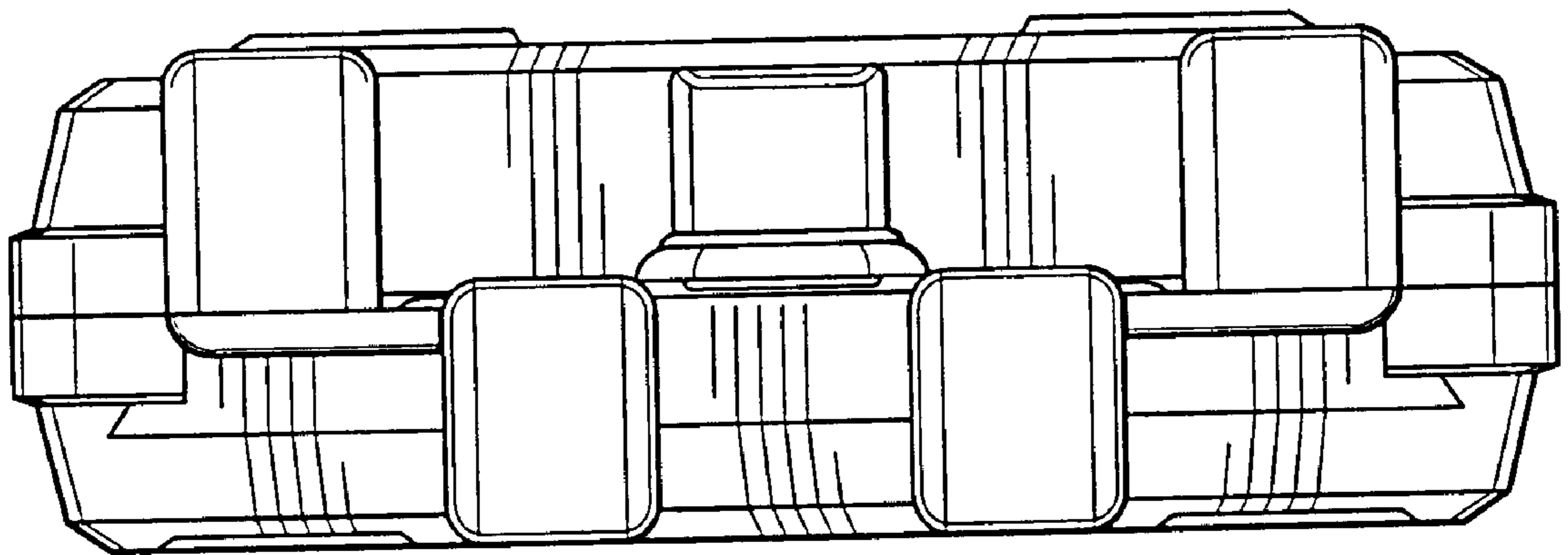


Fig-7