



US00D458744S

(12) **United States Design Patent**
Chan

(10) **Patent No.:** **US D458,744 S**

(45) **Date of Patent:** **** Jun. 18, 2002**

(54) **EYEGLASS CLIP (I)**

(76) **Inventor:** **Li-Li Chan**, 5th Fl., No. 15, Lane 155,
Kuang Fu N. Road, Taipei (TW)

(**) **Term:** **14 Years**

(21) **Appl. No.:** **29/146,765**

(22) **Filed:** **Aug. 16, 2001**

(51) **LOC (7) Cl.** **03-01**

(52) **U.S. Cl.** **D3/219; D3/266; D12/417**

(58) **Field of Search** **D3/219, 266, 265,**
D3/263, 264; D16/130; 206/5, 5.1; 248/902;
D12/417; D19/65; 351/111, 112

(56) **References Cited**

U.S. PATENT DOCUMENTS

D437,113 S	*	2/2001	Koehler	D3/219
D438,001 S	*	2/2001	Lin	D3/265
6,210,003 B1	*	4/2001	Chan	351/112
D448,563 S	*	10/2001	Kim	D3/266

* cited by examiner

Primary Examiner—Catherine R. Oliver
(74) *Attorney, Agent, or Firm*—Rosenberg, Klein & Lee

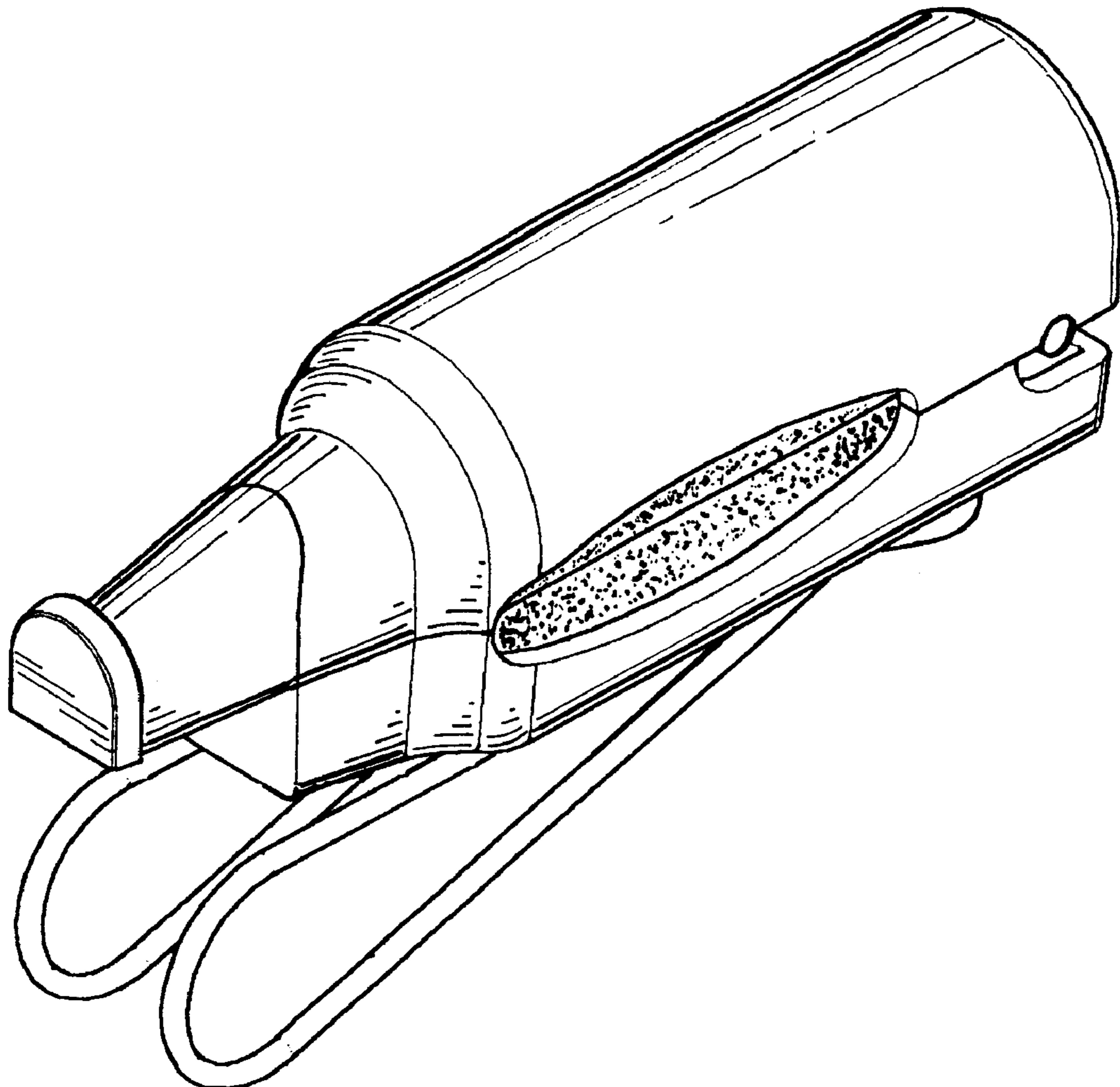
(57) **CLAIM**

The ornamental design for eyeglass clip (I), as shown and described.

DESCRIPTION

FIG. 1 is a perspective view of eyeglass clip (I) showing my new design;
FIG. 2 is a front elevation view thereof;
FIG. 3 is a rear elevation view thereof;
FIG. 4 is a left side elevation view thereof;
FIG. 5 is a right side elevation view thereof;
FIG. 6 is a top plan view thereof;
FIG. 7 is an bottom plan view thereof; and,
FIG. 8 is a perspective view thereof, the broken lines shown are for illustrative purposes only and form no part of the claimed design.

1 Claim, 3 Drawing Sheets



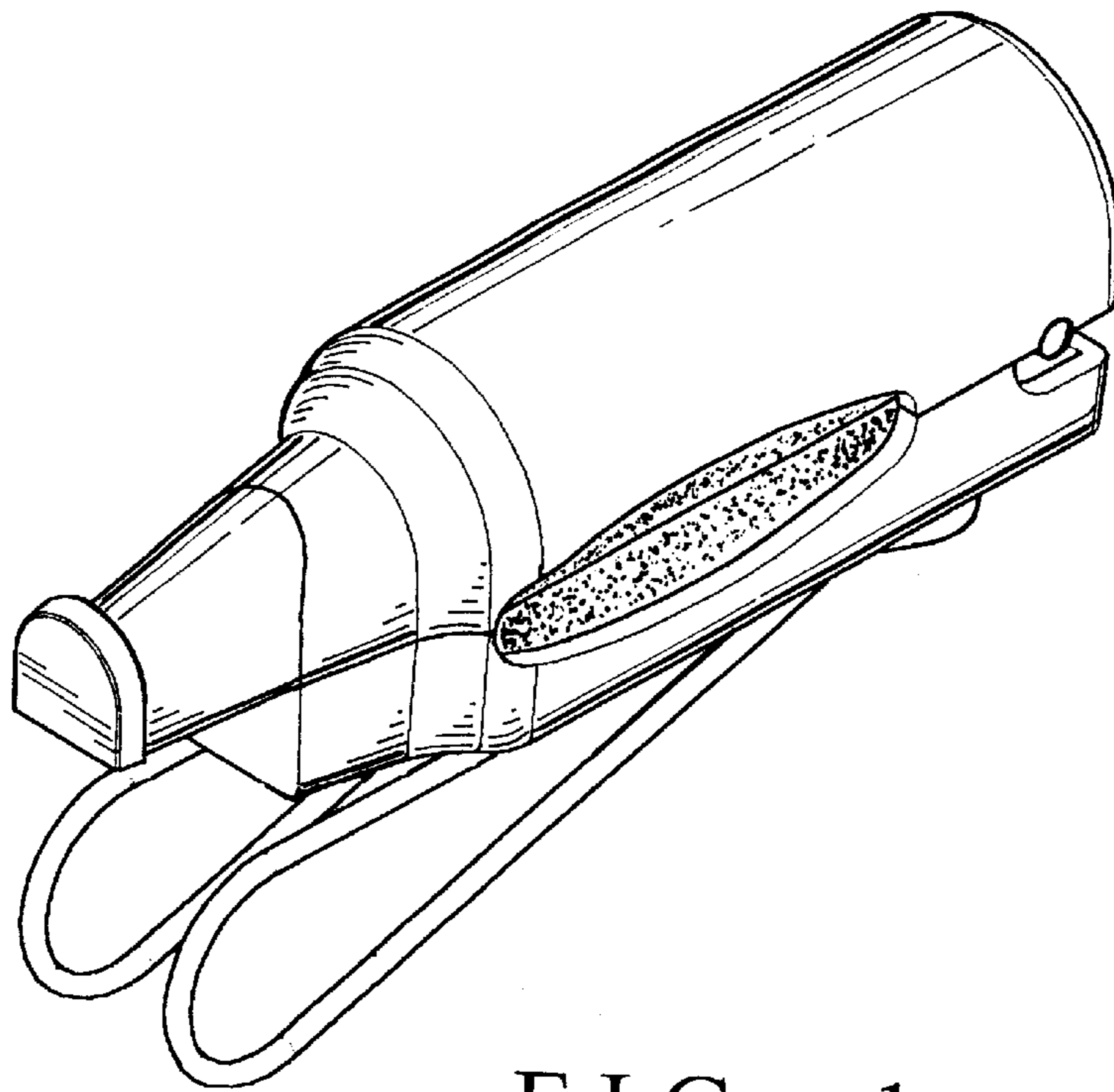


FIG. 1

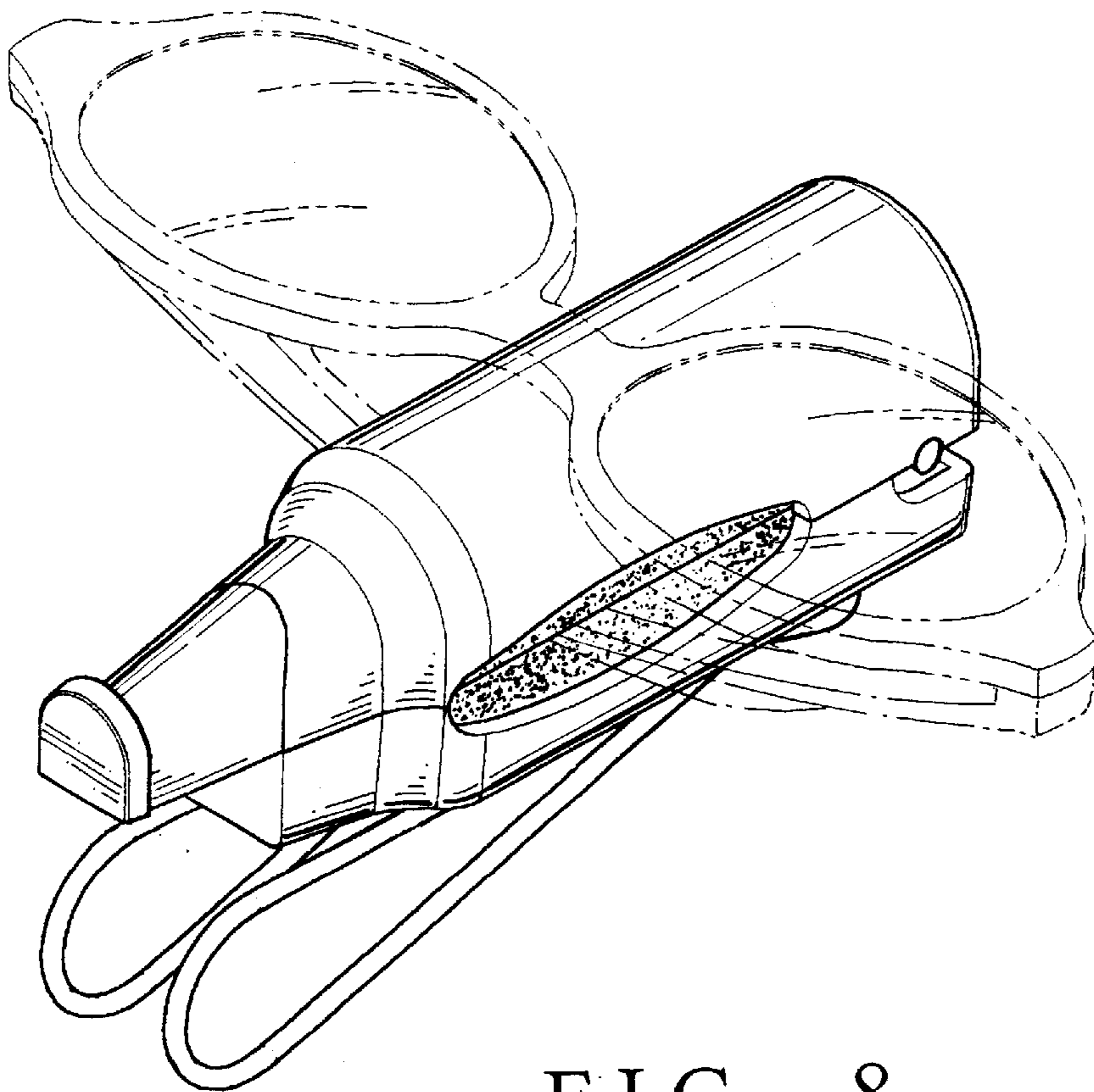


FIG. 8

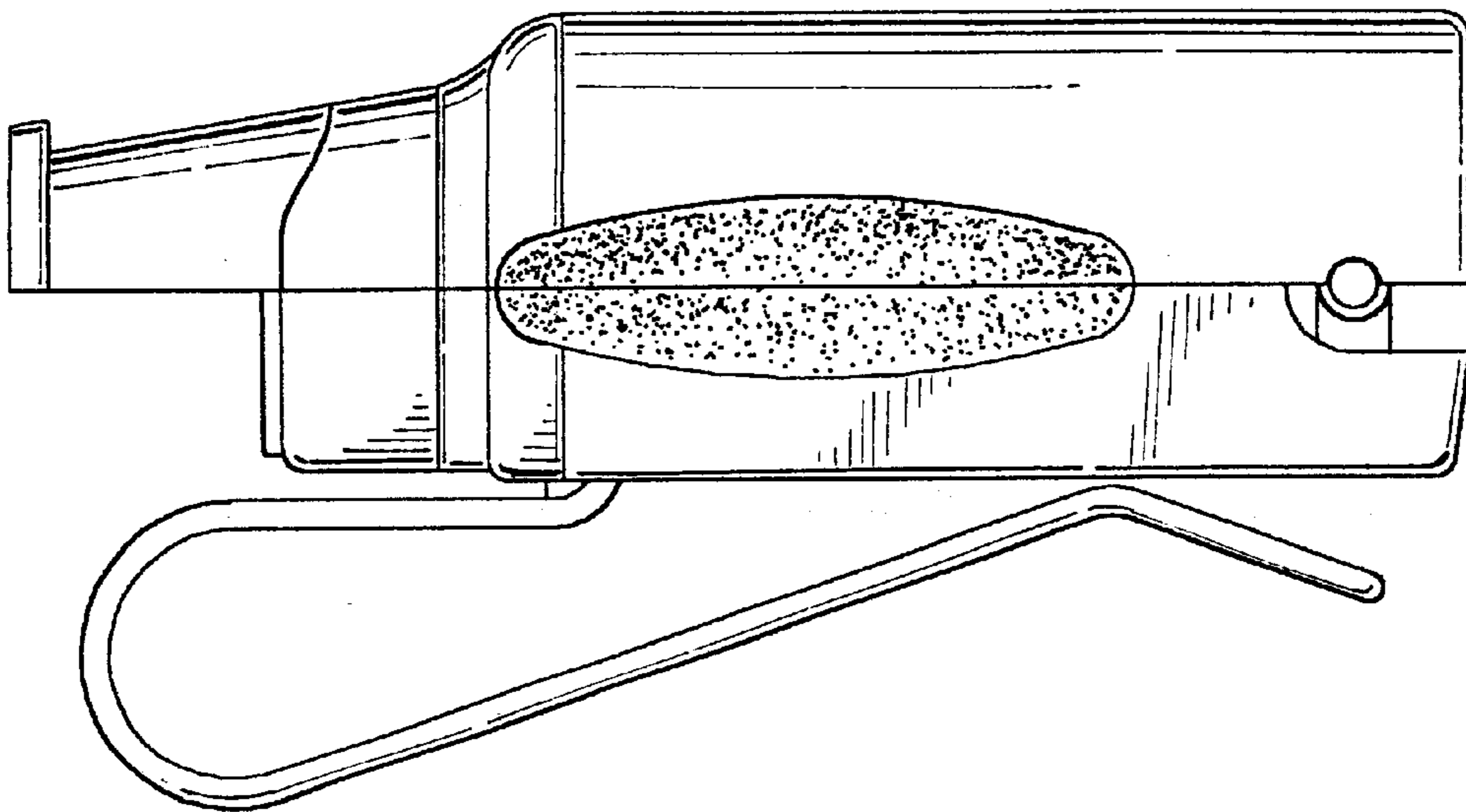


FIG. 2

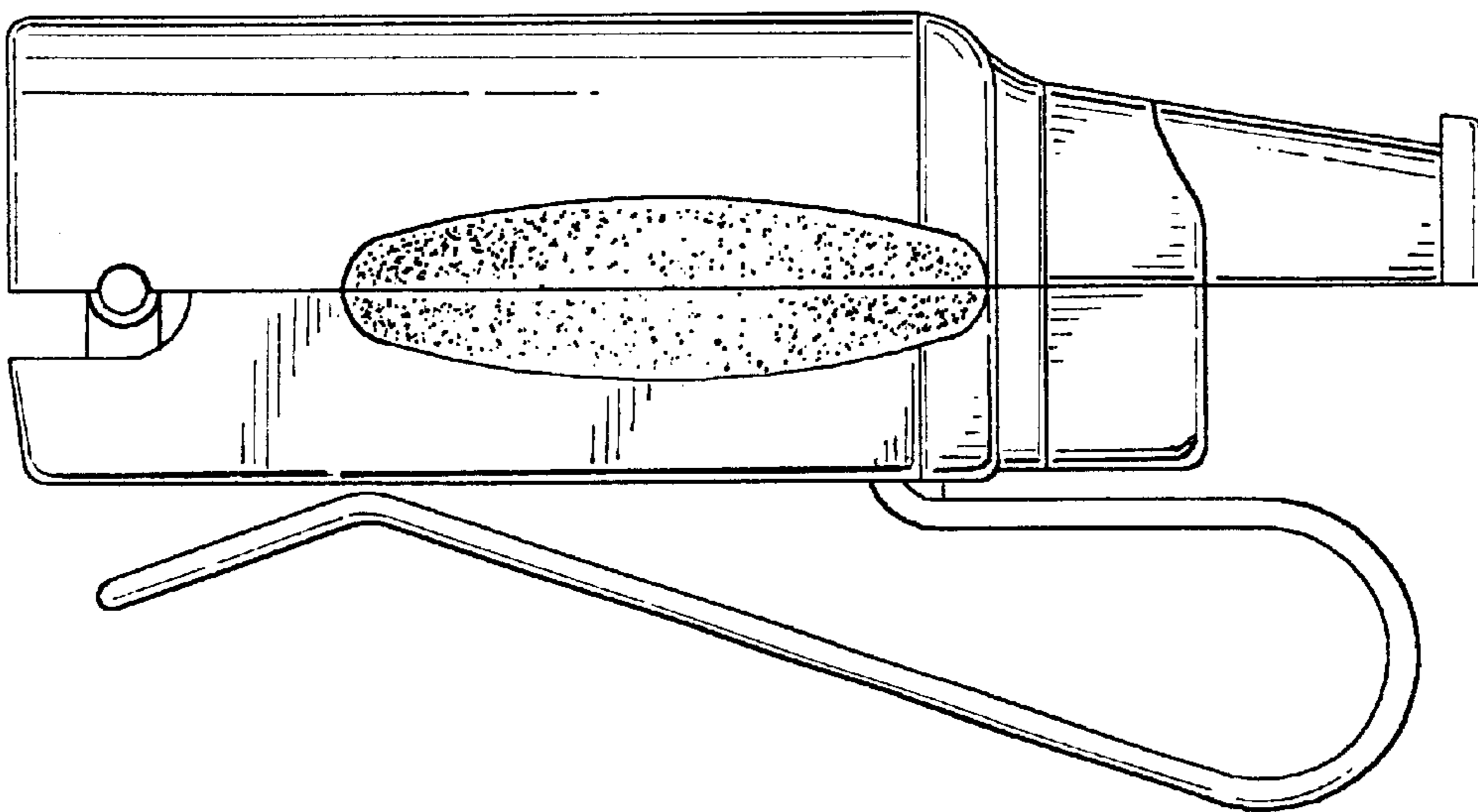


FIG. 3

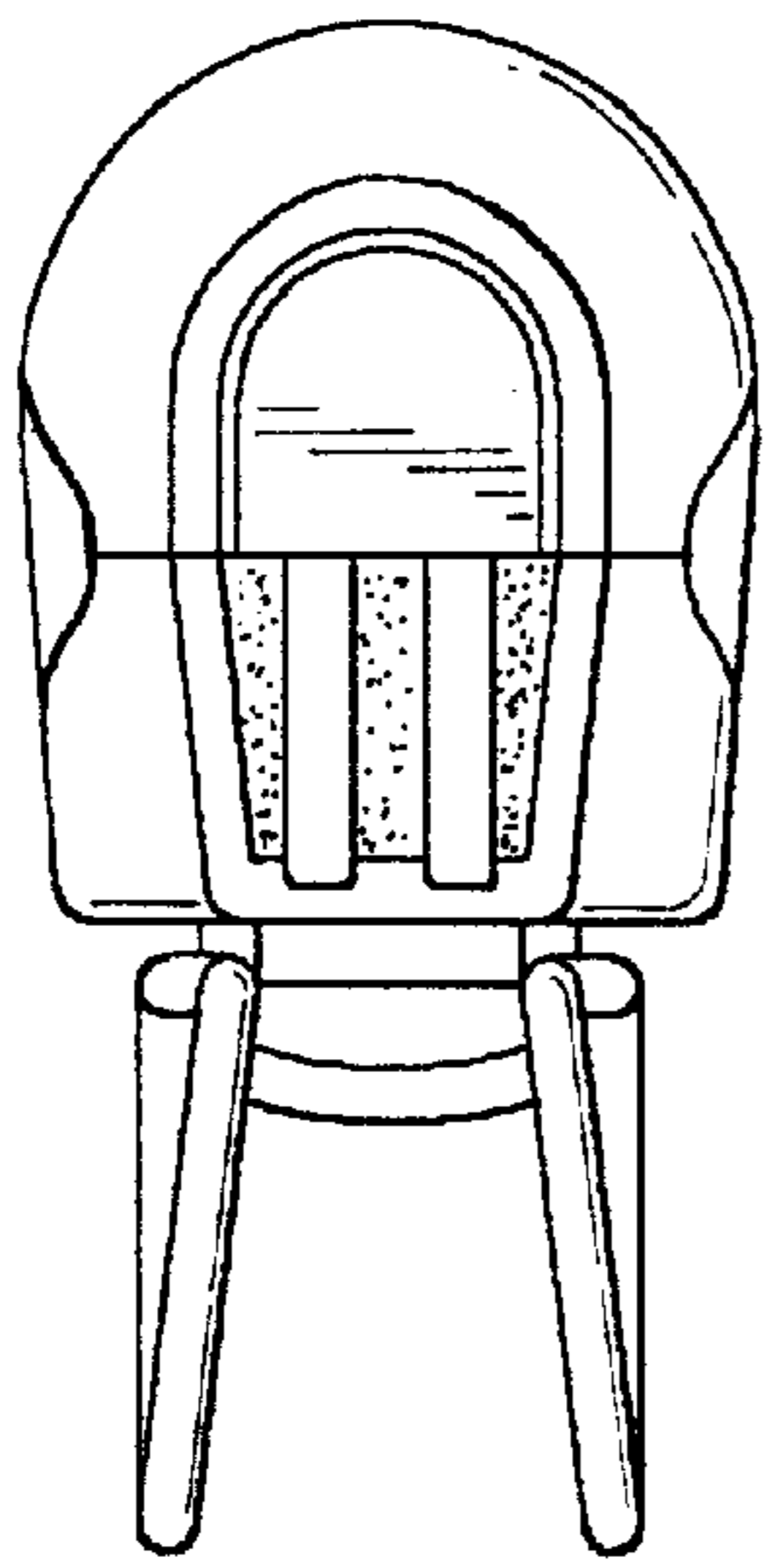


FIG. 4

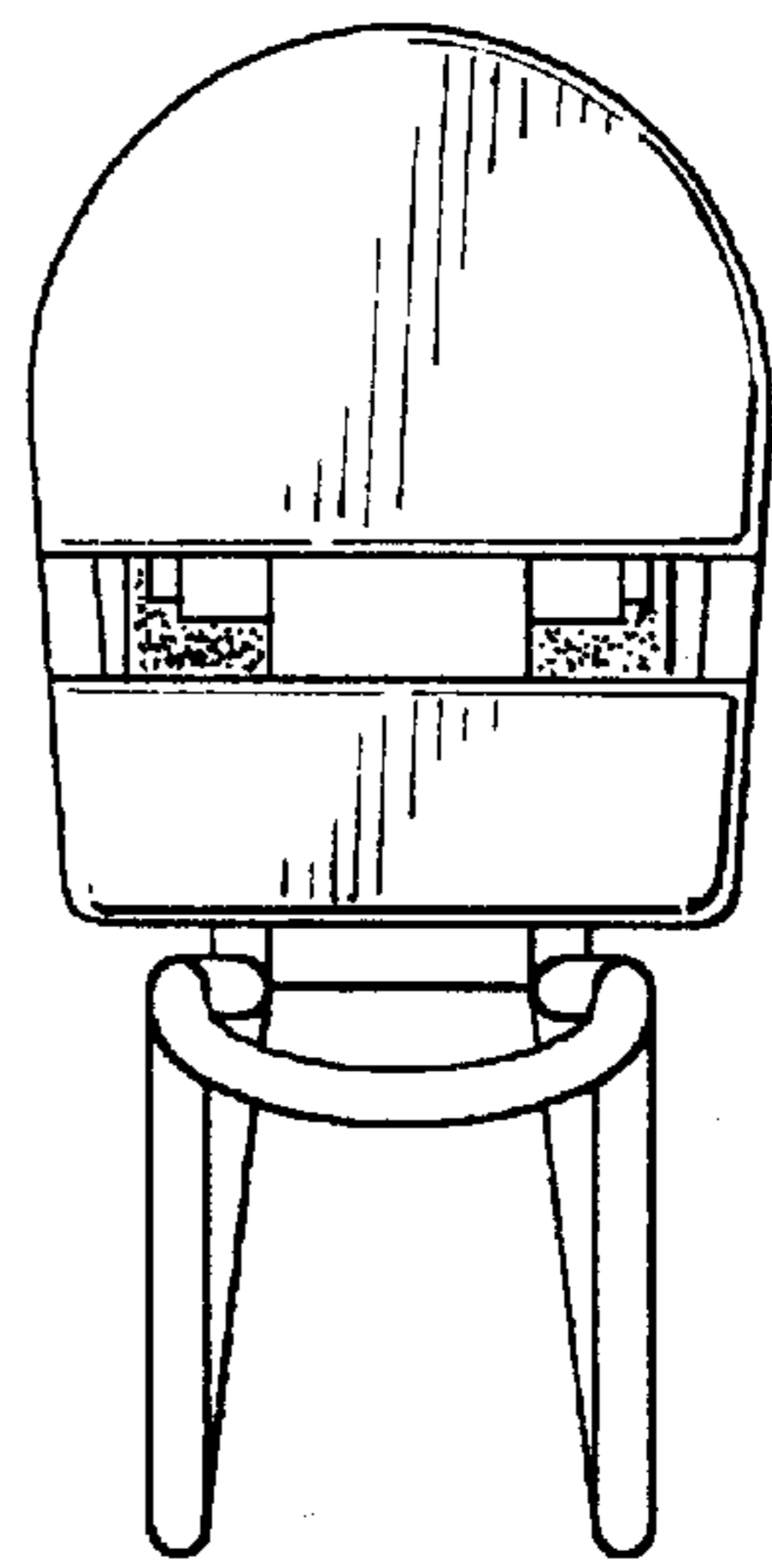


FIG. 5

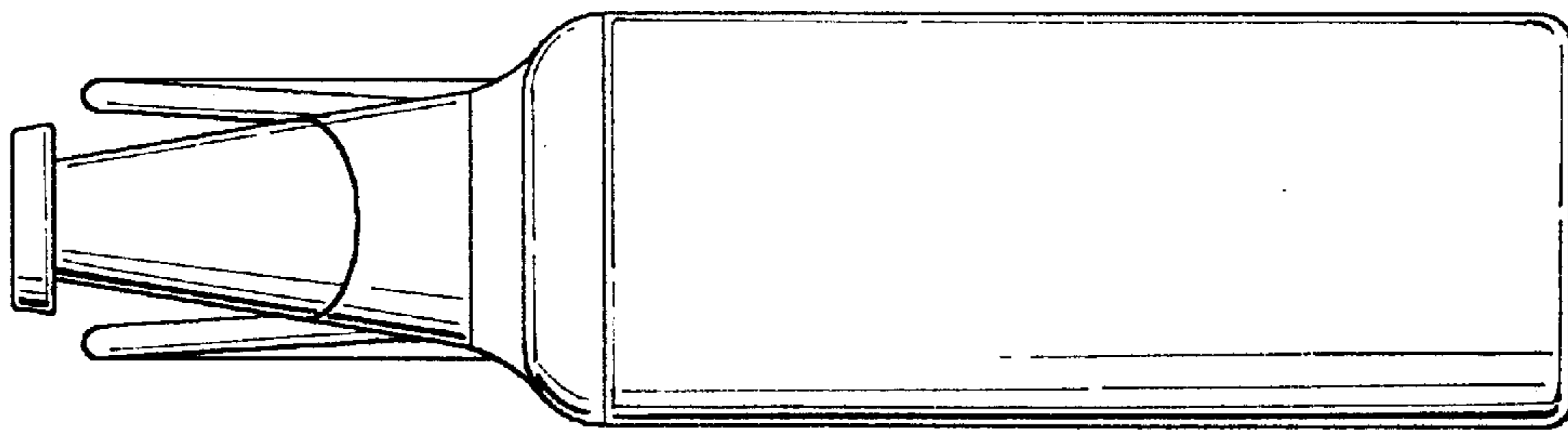


FIG. 6

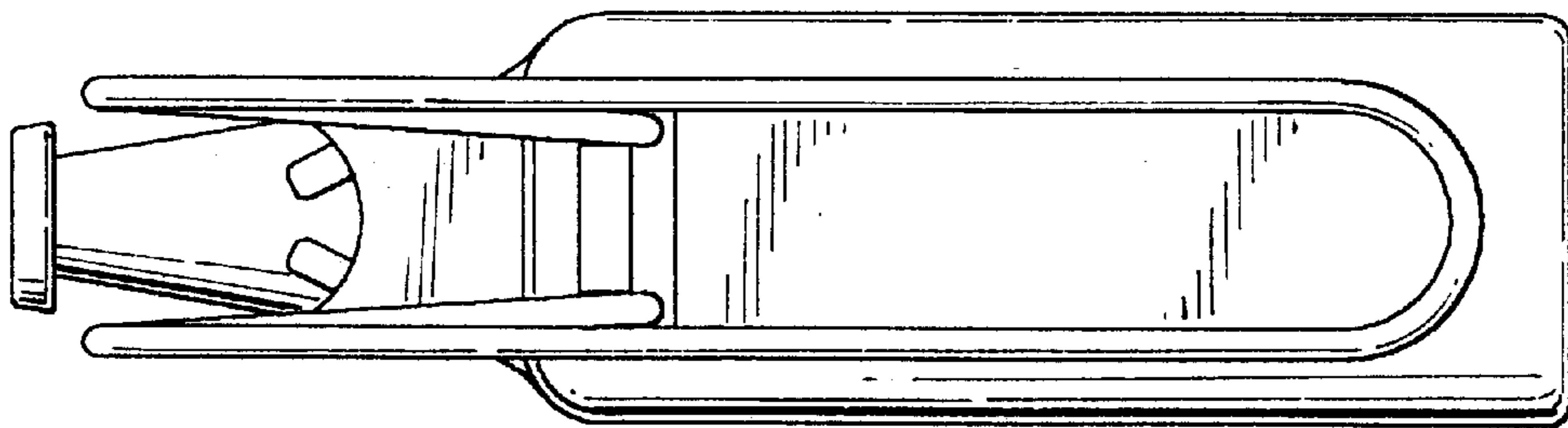


FIG. 7