



US00D458743S

(12) **United States Design Patent**  
**Brookhouse**

(10) **Patent No.:** **US D458,743 S**

(45) **Date of Patent:** **\*\* Jun. 18, 2002**

- (54) **ROLL-UP PENCIL CASE**
- (75) Inventor: **Geoff Joseph Brookhouse**, Umina (AU)
- (73) Assignee: **Gefkel Pty Ltd.**, Umina (AU)
- (\*\*) Term: **14 Years**

4,901,464 A	2/1990	Banoun	.....	224/904 X
4,901,899 A	2/1990	Barrett	.....	224/223 X
D323,065 S	1/1992	Stricklin et al.	.....	D3/201 X
5,337,933 A	8/1994	Nunez	.....	206/581
5,427,239 A	6/1995	Hunt	.....	206/579
D388,611 S	1/1998	Shaw	.....	224/918
6,065,659 A	5/2000	Faz	.....	D3/303
6,070,729 A	6/2000	Barnes	.....	190/125

- (21) Appl. No.: **29/148,747**
- (22) Filed: **Sep. 26, 2001**

*Primary Examiner*—Ian Simmons  
*Assistant Examiner*—Monica A. Weingart  
 (74) *Attorney, Agent, or Firm*—Davis & Bujold, P.L.L.C.

**Related U.S. Application Data**

- (62) Division of application No. 29/111,259, filed on Sep. 23, 1999.

(30) **Foreign Application Priority Data**

Mar. 24, 1999	(AU)	.....	949/99
Mar. 24, 1999	(AU)	.....	950/99
Mar. 24, 1999	(AU)	.....	951/99
Mar. 24, 1999	(AU)	.....	952/99

- (51) **LOC (7) Cl.** ..... **03-01**
- (52) **U.S. Cl.** ..... **D3/206**
- (58) **Field of Search** ..... D3/201, 206, 224, D3/228, 303; D8/71; D19/81, 75, 85, 35; 206/224, 362, 443, 579, 581; 224/223, 904, 918, 920, 931; 190/125; 383/39

(56) **References Cited**

**U.S. PATENT DOCUMENTS**

2,558,382 A	6/1951	Previdi	.....	224/920
-------------	--------	---------	-------	---------

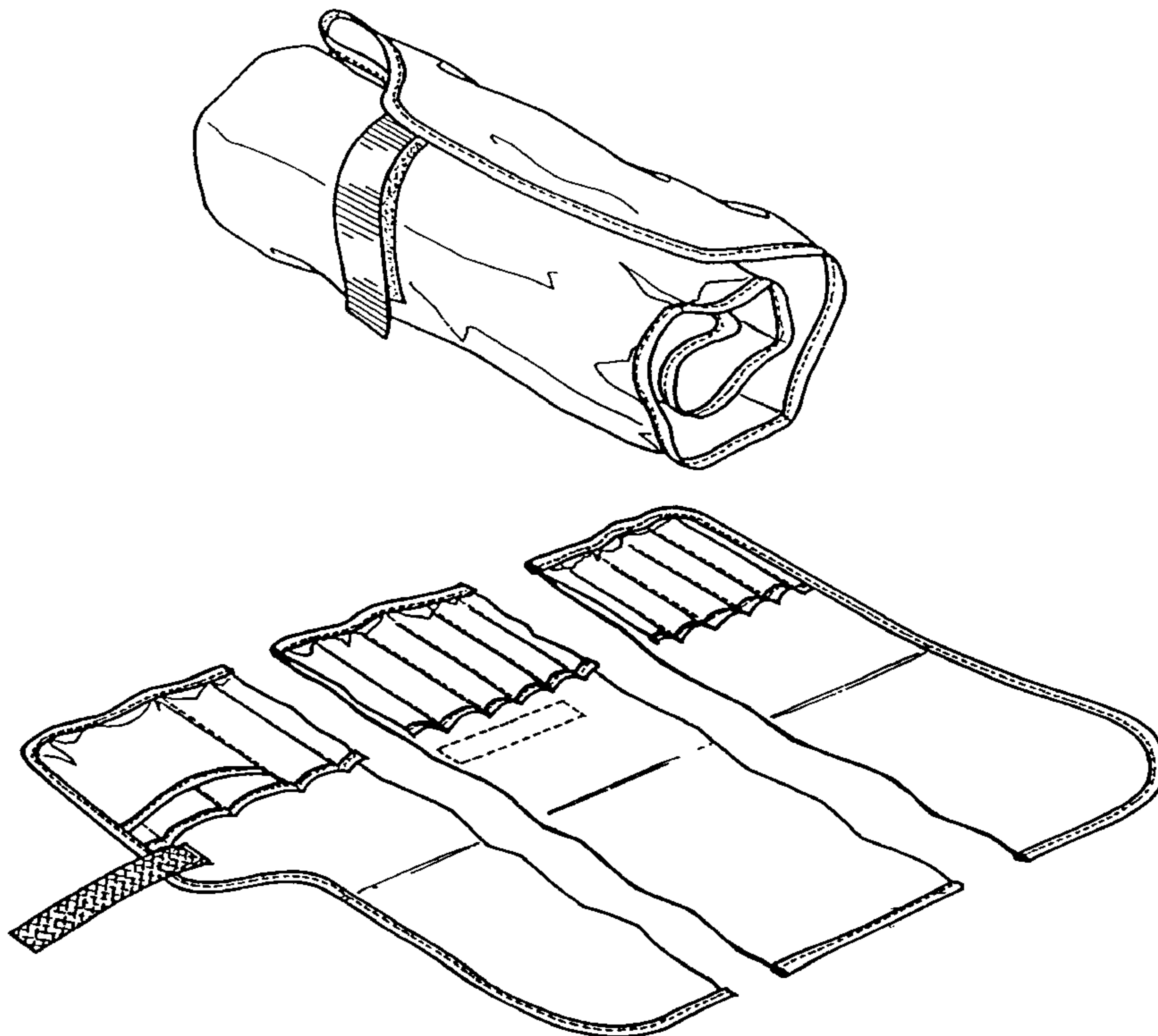
**1 Claim, 2 Drawing Sheets**

(57) **CLAIM**

The ornamental design for a roll-up pencil case, as shown and described.

**DESCRIPTION**

FIG. 1 is a side front perspective view of a roll-up pencil case in its rolled up form showing my new design;  
 FIG. 2 is a perspective top view in its unrolled form thereof;  
 FIG. 3 is a top plan view thereof; and,  
 FIG. 4 is a bottom plan view thereof.  
 FIGS. 2, 3, and 4 are shown broken away in the views to indicate variable length.



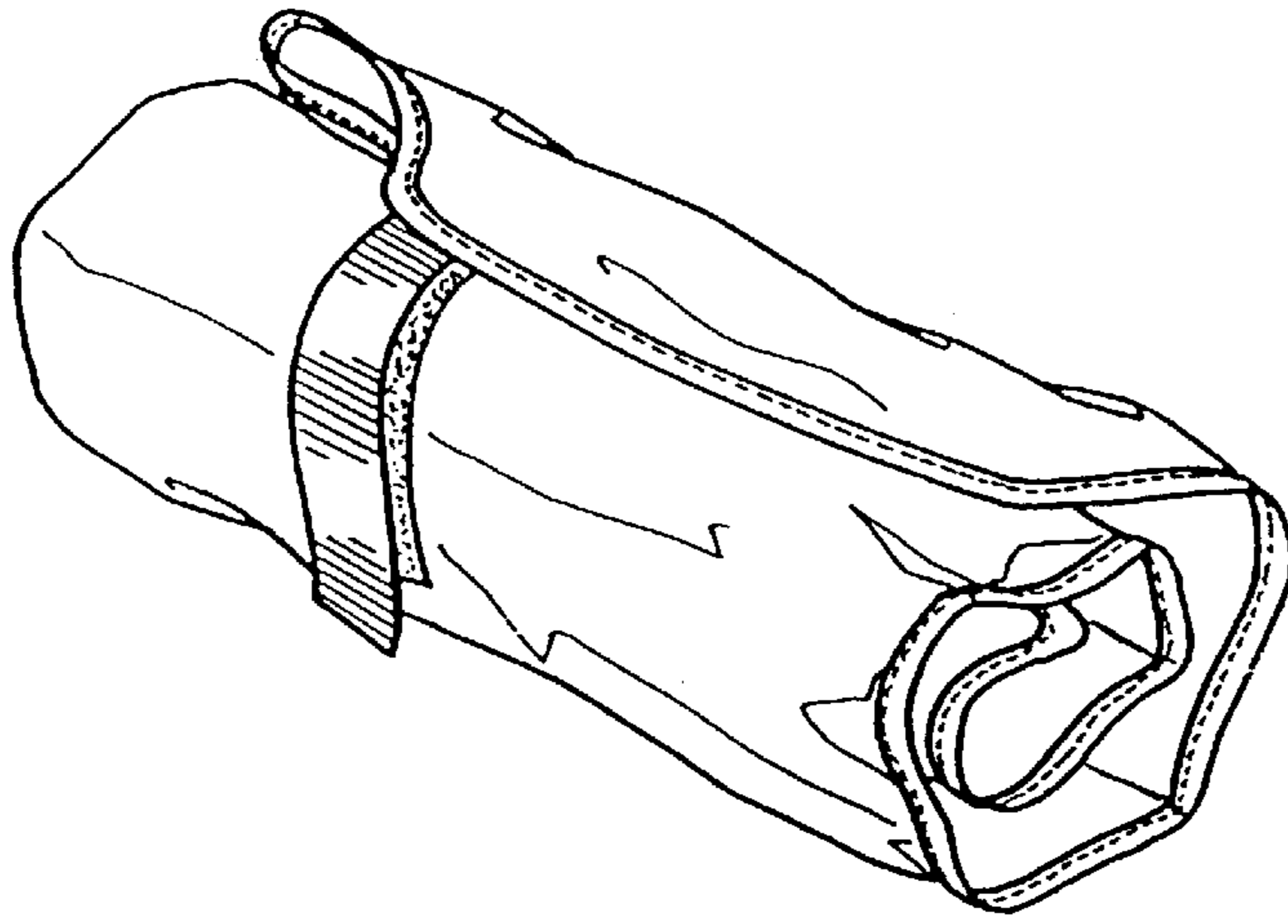


FIG. 1

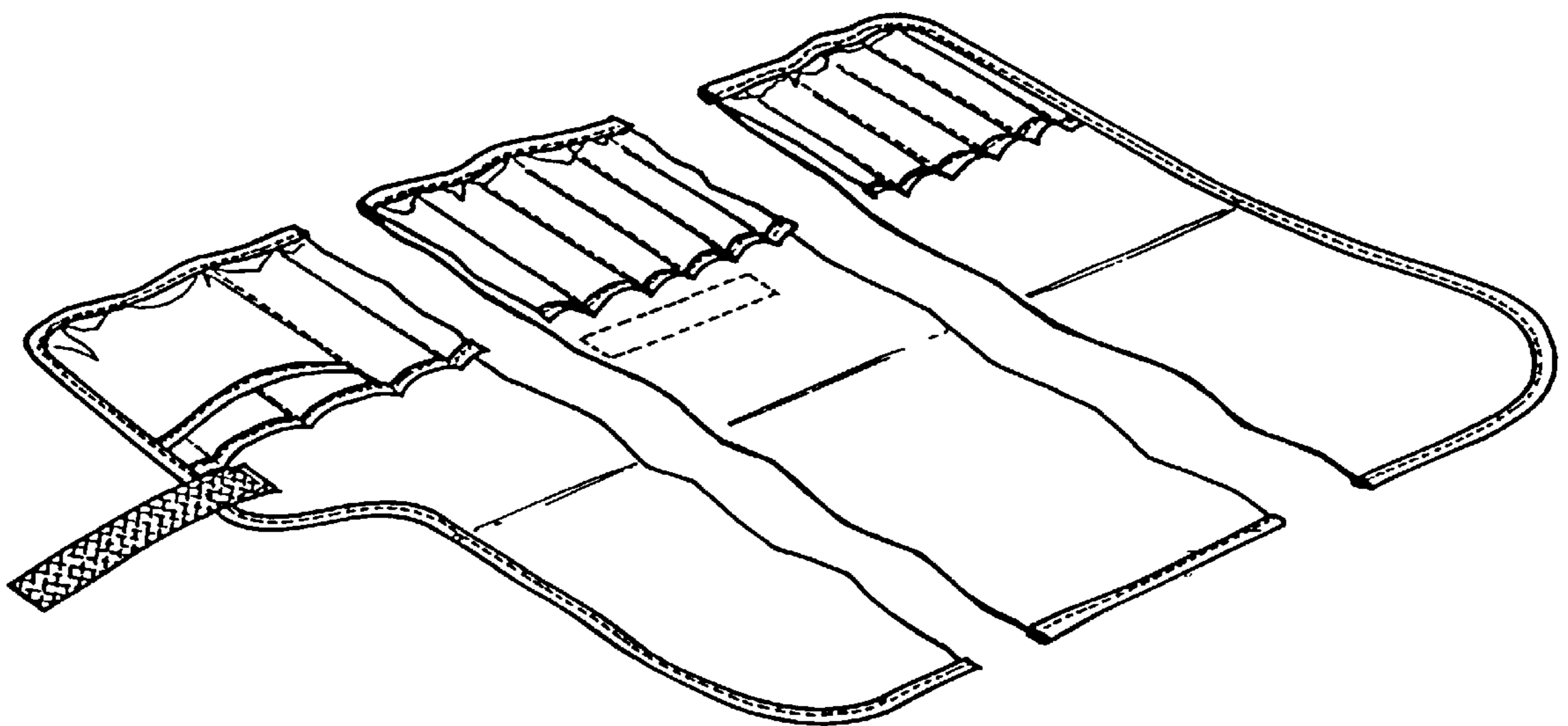


FIG. 2

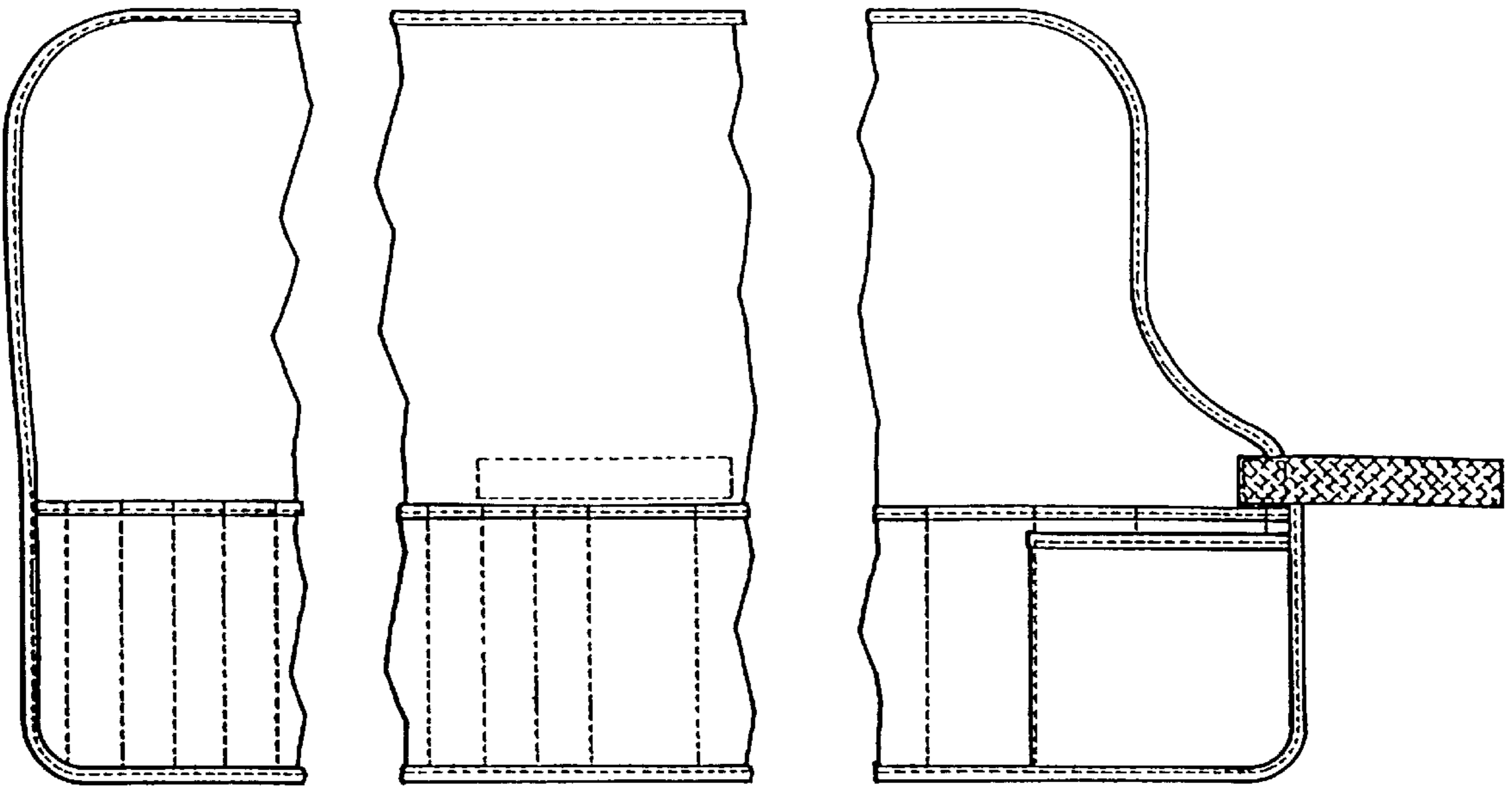


FIG. 3

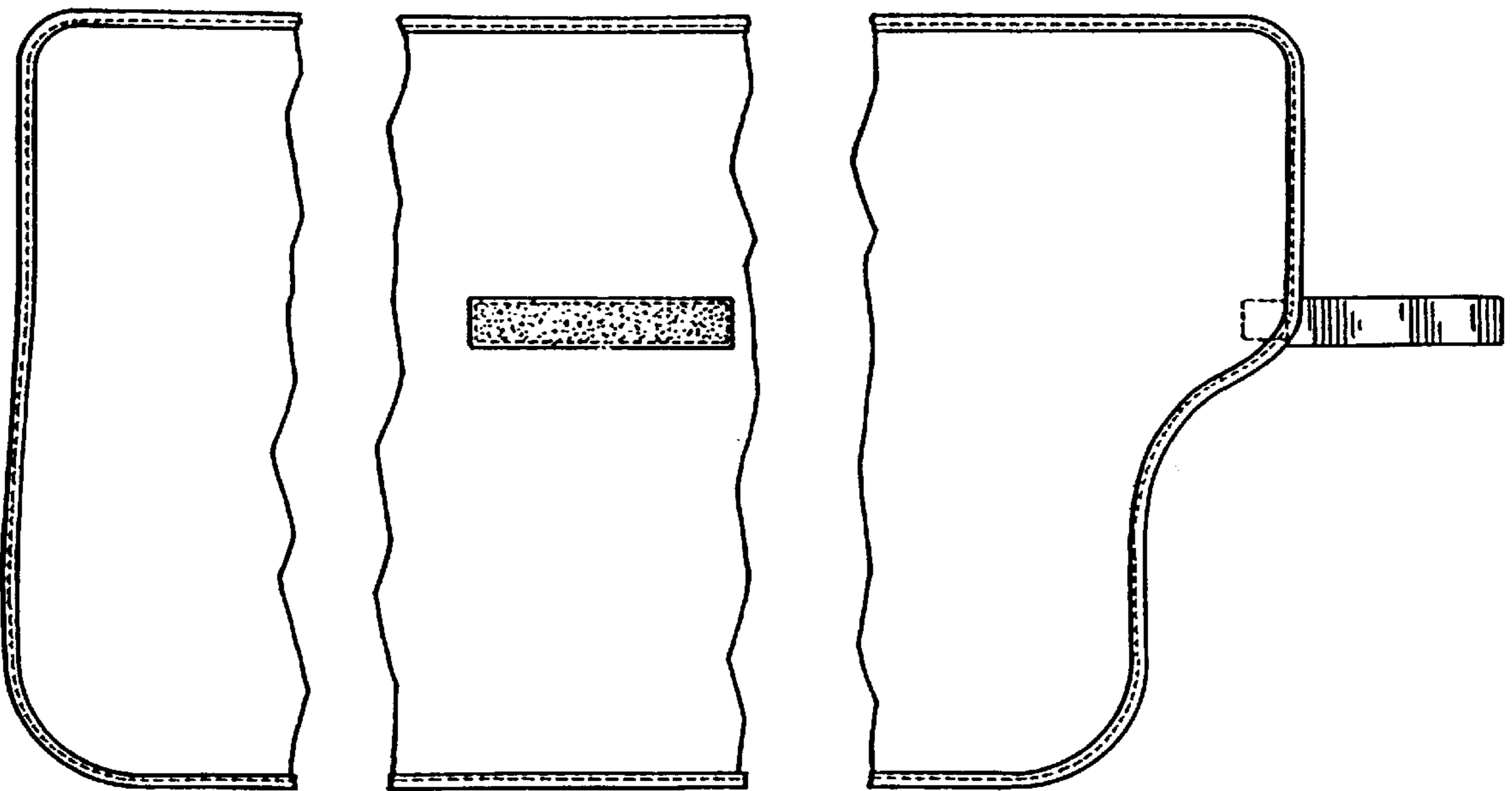


FIG. 4