



US00D458728S

(12) **United States Design Patent**
Funk et al.

(10) **Patent No.:** **US D458,728 S**

(45) **Date of Patent:** **** Jun. 18, 2002**

(54) **CEREAL BAR HAVING A CEREAL PIECE INCLUDED THEREON**

(75) Inventors: **Dean F. Funk**, Brooklyn Park; **Robert J. Harrison**, Champlin; **Dena K. Strehlow**, Maple Grove, all of MN (US)

(73) Assignee: **General Mills, Inc.**, Minneapolis, MN (US)

(**) Term: **14 Years**

(21) Appl. No.: **29/111,593**

(22) Filed: **Sep. 30, 1999**

(51) **LOC (7) Cl.** **01-01**

(52) **U.S. Cl.** **D1/101**

(58) **Field of Search** D1/100, 101, 116-130, D1/199; 426/94, 104, 439, 440, 445, 446, 449, 450, 458, 559

(56) **References Cited**

U.S. PATENT DOCUMENTS

1,890,697	A	*	12/1932	Scalan	426/449	X
1,924,826	A	*	8/1933	Anderson	426/559	
2,190,949	A	*	2/1940	Plews	426/559	
4,055,669	A		10/1977	Kelly, R.G. et al.	426/93	
D321,580	S	*	11/1991	Jones	D1/116	
D354,386	S	*	1/1995	Smith et al.	D1/125	
5,612,074	A		3/1997	Leach R. L.	426/74	
D384,785	S	*	10/1997	Laughlin	D1/106	
D409,355	S		5/1999	Citarella, W.P. et al.	D1/107	

OTHER PUBLICATIONS

“Packaging Label for Frosties Cereal & Milk Bars”, Kelloggs, 1 page, (1999).

“Packaging Label for Fruit and Oatmeal”, Quaker, 2 pages, (May 1997).

“Packaging Label for Glenny’s Chocolate Crunch”, Glenn Foods, 1 page, (Jan. 1996).

“Packaging Label for Golden Grahams Treats”, General Mills, 3 pages, (Oct. 1996).

“Packaging Label for Golf Pro Nutrition Bar”, 1 page, (Nov. 1993).

“Packaging Label for Healthy Cheesecake Bars”, Health Valley, 1 page, (Jan. 1995).

“Packaging Label for Hoffman’s Energy Bar”, York Barbell, 1 page, (Nov. 1997).

“Packaging Label for Just Right Cereal Bars (Australia)”, Kellogg’s, 2 pages, (Feb. 1998).

“Packaging Label for Kudo’s”, Mars, 2 pages, (Oct. 1989).

“Packaging Label for Kushi Cuisine Crispy Rice Bars”, Kushi Macrobiotics, 1 page, (Jan. 1996).

“Packaging Label for Luna Chocolate Pecan Pie”, Clifbar, 1 page, (Mar. 1999).

“Packaging Label for Meal Pack”, Bear Valley Foods, 2 pages, (Sep. 1980).

“Packaging Label for MET-Rx Food Bar”, MET-Rx Substrate Technology, 1 page, (Sep. 1992).

“Packaging Label for Nature’s Choice Natural Delight Yogurt Dipped Desserts”, Barbara’s Bakery, 2 pages, (July 1999).

“Packaging Label for Nesquik Biscuit Sticks”, Nestle, 2 pages, (Sep. 1999).

“Packaging Label for Nutri Grain”, Kellogg’s, 2 pages, (Mar. 1991).

“Packaging label for Nutri-Grain Twists”, Kellogg’s, Forest Fruits and Yogurt, 1 page, (1998).

(List continued on next page.)

Primary Examiner—Alan P. Douglas

Assistant Examiner—Linda Brooks

(74) *Attorney, Agent, or Firm*—John A. O’Toole; Douglas J. Taylor; Barbara J. Clark

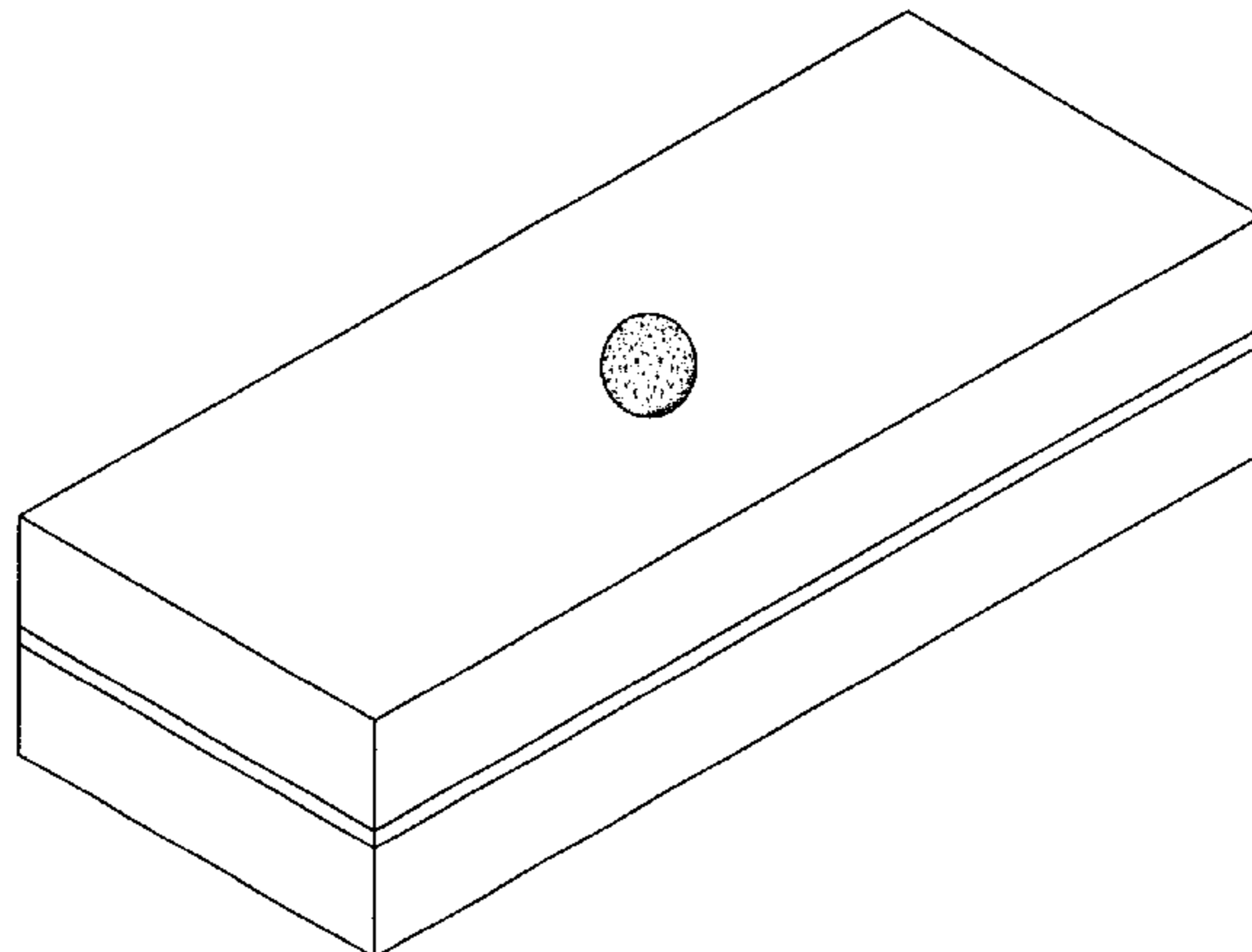
(57) **CLAIM**

The ornamental design for a cereal bar having a cereal piece included thereon, as shown and described.

DESCRIPTION

The FIGURE is a perspective view of a cereal bar having a cereal piece included thereon.

1 Claim, 1 Drawing Sheet



OTHER PUBLICATIONS

“Packaging Label for Oatmeal Creme Bar Chewy Whole Grain Snack Bar”, Starbucks, 1 page, (Dec. 1998).

“Packaging Label for Power Bar”, Powerfood, 1 page, (Jun. 1991).

“Packaging Label for Pro Tour”, Barbara’s Bakery, 1 page, (Jan. 1996).

“Packaging Label for Prozone”, NutriBiotic, 1 page, (Aug. 1996).

“Packaging Label for Rice Cake Sandwich Choco and Cheese”, Granco, 4 pages, (Jul. 1999).

“Packaging Label for Rice Krispies Treats Chocolate Chip”, Kellogg’s, 2 pages, (May 1997).

“Packaging Label for Rice Krispies Treats Peanut Butter Chocolate”, Kellogg’s, 3 pages, (Apr. 1999).

“Packaging Label for Shaqbar”, Amway, 2 pages, (Oct. 1995).

“Packaging Label for Snackwells’s Hearty Fruit’n Grain Cereal Bars”, Nabisco, 1 page, (prior to 1999).

“Packaging Label for Source Bar”, Empowered Athletics, 1 page, (Aug. 1996).

“Packaging Label for Stoker energy Bar”, BTU Stoker, 1 page, (May 1994).

“Packaging Label for Sustain Cereal Bars (Australia)”, Kellogg’s, 2 pages, (Feb. 1998).

“Packaging label for Think Interactive Bar”, Personal Health Development, 4 pages, (Jan. 1996).

“Packaging Label for Trek Barr”, Mountain Biscuit, 1 page, (Feb. 1997).

“Packaging Label for Whole Grain Bars”, Earth’s Best, 2 pages, (May 1996).

“Packing Label for New Yorker Breakfast Bar”, Renshaw Scott Ltd. (England), 2 pages, (July 1999).

“Packing Label for Oreo Granola Bars”, Nabisco, 2 pages, (Mar. 1994).

“Packaging Label for Snackwell’s Cereal Bars”, Nabisco, 2 pages, (Jun. 1996).

“Power Bark for Fido”, Food Processing, Advertisement, 1 page, (May 1999).

“Rice Krispies Treats Crispy Marshmallow Squares”, Kellogg’s, 4 pages, (Apr. 1999).

“Calif raises the bar”, Food Processing, Advertisement, 1 page, (May 1999).

“Crunchy Nut (Australia) (Corn Flake Cereal Bars)”, Kellogg’s, 2 pages, (Feb. 1998).

“Nutri Grain Twists”, Kellogg’s, 2 pages, (Oct. 1998).

“Packaging Label for Balance”, Bio-Foods, 2 pages, (1994).

“Packaging Label for Balance Outdoor”, Balance Bar, 1 page, (Jul. 1999).

“Packaging Label for Boost”, Mead Johnson, 1 pages, (Feb. 1998).

“Packaging Label for Breakfast Bars”, Hain Pure Foods, 2 pages, (Jun. 1997).

“Packaging Label for Breakfast Squares”, General Mills, 2 pages, (Apr. 1970).

“Packaging Label for Breakthru Nutrition Bar”, Glenn Foods, 1 page, (Mar. 1998).

“Packaging Label for Cap’n Crunch Treats”, Quaker, 2 pages, (Mar. 1997).

“Packaging Label for Carnation Instant Breakfast Bars”, Nestle, 2 pages, (prior to 1997).

“Packaging Label for Chewy Granola Bars”, Quaker, 2 pages, (Jan. 1990).

“Packaging Label for Clif Bar”, Kali’s SportsNaturals, 1 page, (Sep. 1991).

“Packaging Label for Clif Kicks Bar”, Kali’s SportsNaturals, 2 pages, (Jul. 1997).

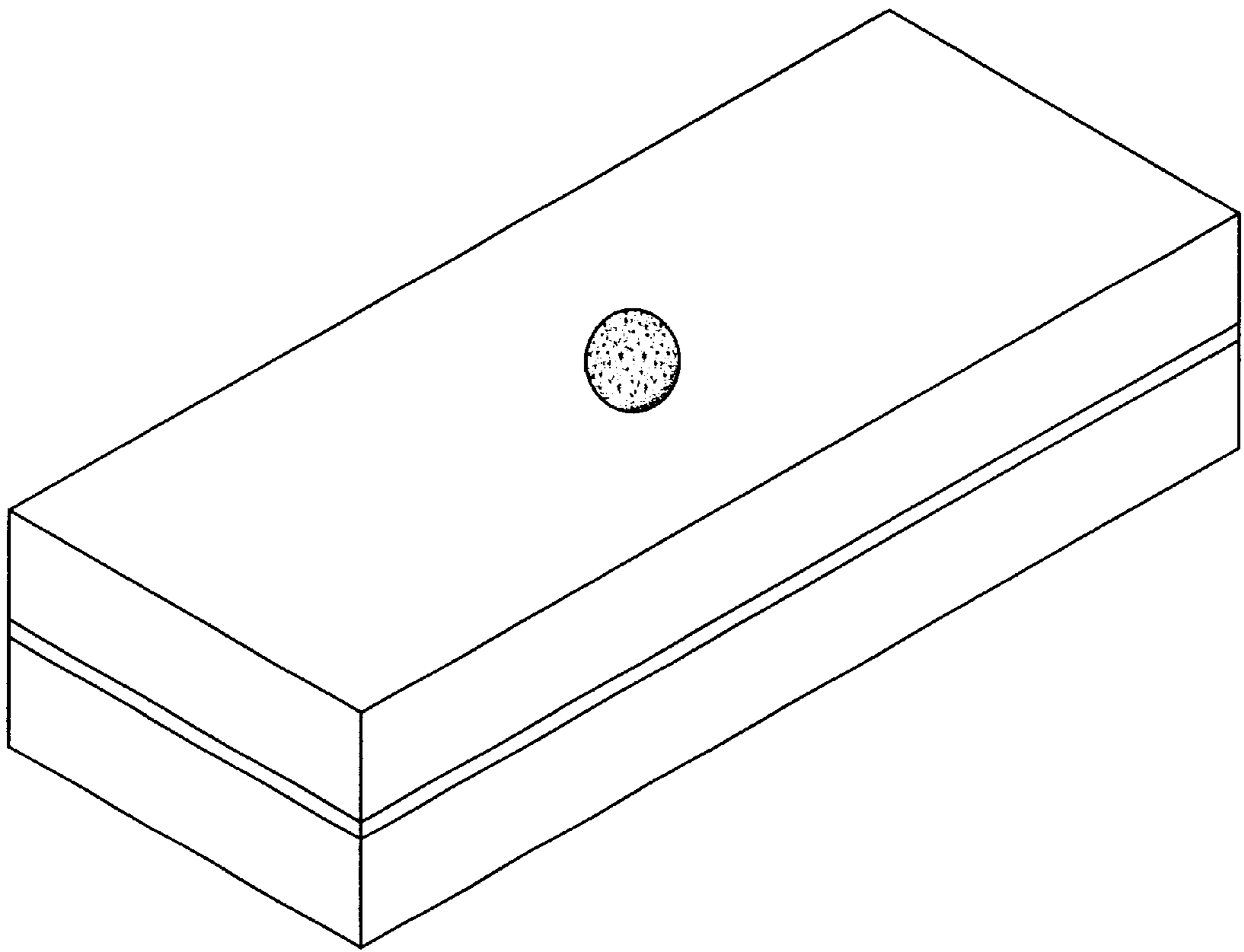
“Packaging label for Coco Pops Cereal & Milk Bars”, Kellogg’s, 1 page, (1999).

“Packaging Label for Corny Snack Bars”, Schwartau, 2 pages, (Nov. 1999).

“Packaging Label for Diet Fuel”, Twin Lab, 1 page, (Jul. 1998).

“Packaging Label for Edge Bar”, Nutritional N-Er-G Products, 2 pages, (Jul. 1991).

* cited by examiner



UNITED STATES PATENT AND TRADEMARK OFFICE
CERTIFICATE OF CORRECTION

PATENT NO. : Des. 458,728 S
DATED : June 18, 2002
INVENTOR(S) : Dean F. Funk, Dena K. Strehlow and Robert J. Harrison

Page 1 of 1

It is certified that error appears in the above-identified patent and that said Letters Patent is hereby corrected as shown below:

Title page,

Item [56], U.S. PATENT DOCUMENTS, first reference, delete "Scalan" and insert -- Scanlan -- therefor.

OTHER PUBLICATIONS

"Packaging Label for Frosties Cereal...", reference delete "Kelloggs" and insert -- Kellogg's -- therefor.

"Packaging Label for Kudo's...", reference delete "Kudo's" and insert -- Kudos -- therefor.

"Packaging Label for Nutri-Grain Twists,...", reference delete "label" and insert -- Label -- therefor.

"Packaging Label for Snackwells's...", reference delete "Snackwells's" and insert -- Snackwell's -- therefor.

"Packaging Label for New Yorker...", reference delete "Packing" and insert -- Packaging -- therefor.

"Packaging Label for Oreo...", reference delete "Packing" and insert -- Packaging -- therefor.

"Calif raises the bar...", reference delete "Calif" and insert -- Clif -- therefor.

"Crunchy Nut (Australia)...", reference insert -- Packaging Label for -- before "Crunchy".

"Nutri Grain Twists...", reference insert -- Packaging Label for -- before "Nutri".

Signed and Sealed this

Twenty-fifth Day of November, 2003



JAMES E. ROGAN

Director of the United States Patent and Trademark Office