



US00D458726S

(12) **United States Design Patent**  
**Wajnerman et al.**

(10) **Patent No.:** **US D458,726 S**

(45) **Date of Patent:** **\*\* Jun. 11, 2002**

(54) **FOOTBALL MAILBOX**

D421,327 S \* 2/2000 Quick ..... D99/30  
D430,380 S \* 8/2000 Diamond ..... D99/30

(76) Inventors: **Graciela Wajnerman**, 21100 NE. 24<sup>th</sup>  
Ct., N. Miami Beach, FL (US) 33180;  
**Malka Lina**, 17931 Biscayne Blvd.,  
Aventura, FL (US) 33160

\* cited by examiner

*Primary Examiner*—Paula A. Mortimer  
(74) *Attorney, Agent, or Firm*—McHale & Slavin

(\*\*) Term: **14 Years**

(57) **CLAIM**

(21) Appl. No.: **29/139,063**

The ornamental design for a football mailbox, as shown and described.

(22) Filed: **Mar. 22, 2001**

**DESCRIPTION**

(51) **LOC (7) Cl.** ..... **99-00**

(52) **U.S. Cl.** ..... **D99/30**

(58) **Field of Search** ..... D99/29, 30, 31,  
D99/32; 232/17, 24, 28, 33, 34, 35, 39;  
D29/102, 103, 105

FIG. 1 is a perspective view of the instant invention;  
FIG. 2 is a front view thereof;  
FIG. 3 is a left side view thereof, said left side view depicting the mailbox front cover in a raised position;  
FIG. 4 is a right side view thereof;  
FIG. 5 is a rear view thereof;  
FIG. 6 is a top view thereof; and,  
FIG. 7 is a bottom view thereof.

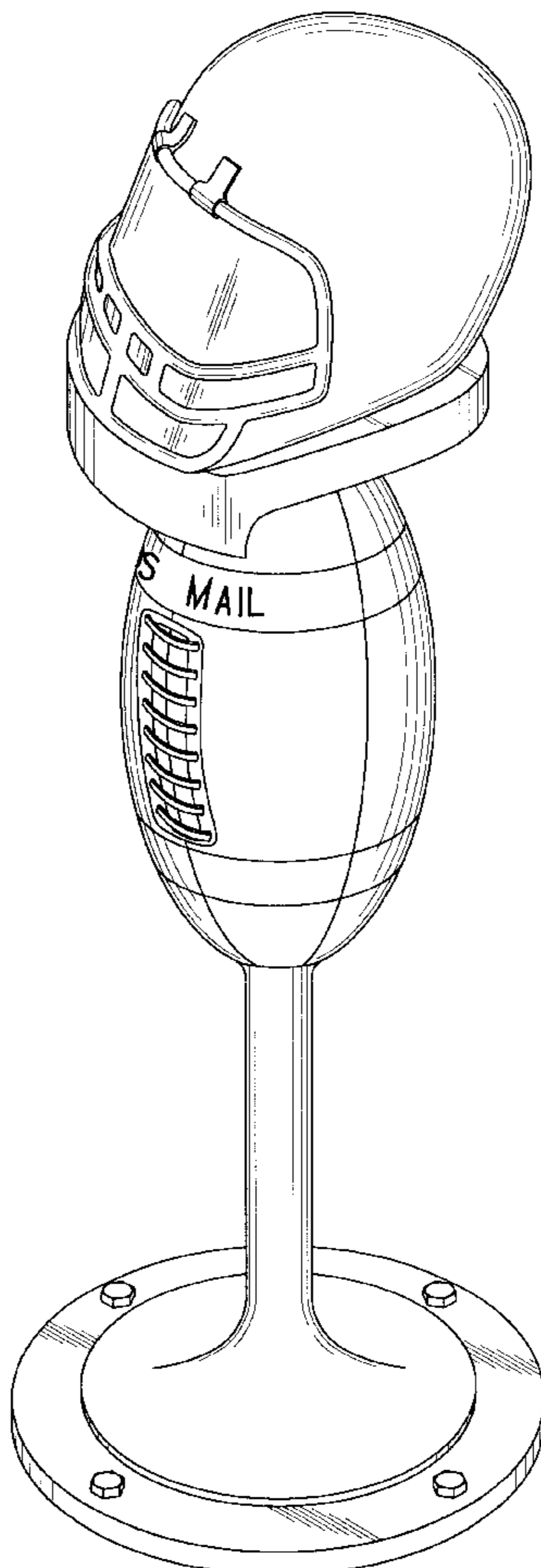
(56) **References Cited**

**U.S. PATENT DOCUMENTS**

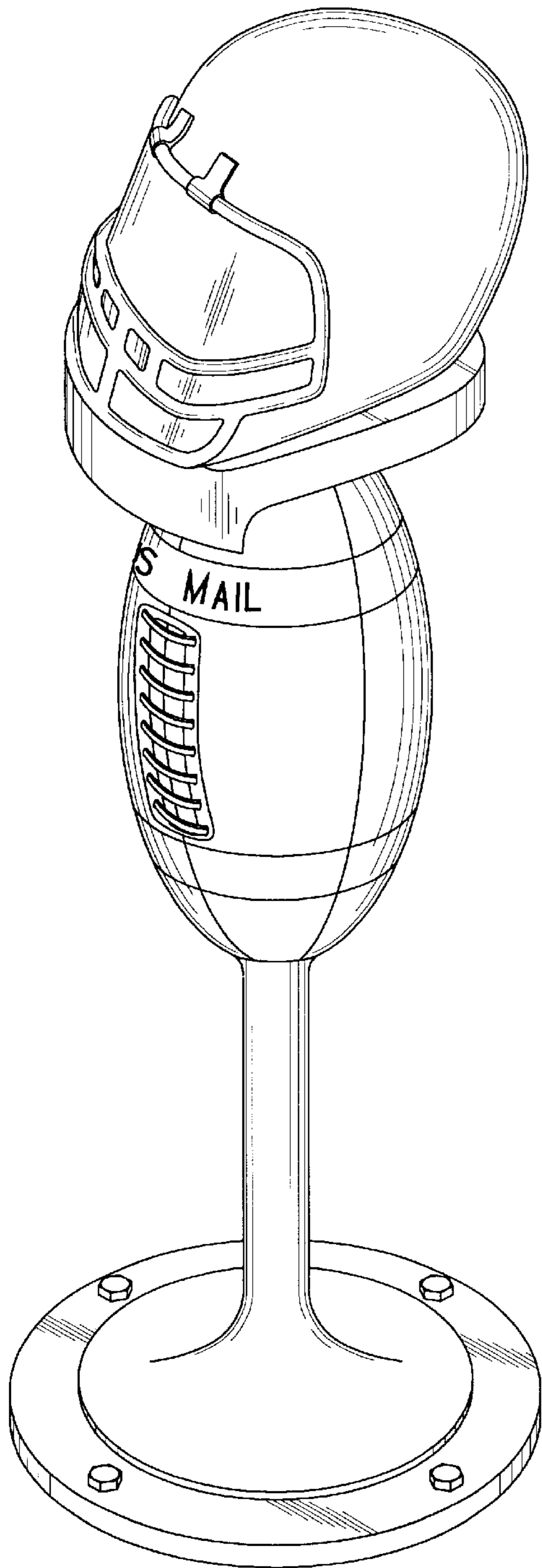
D348,969 S \* 7/1994 Barbour ..... D99/30  
D375,394 S \* 11/1996 Hodges ..... D99/30  
D376,250 S \* 12/1996 Conley, Jr. .... D99/30  
D390,328 S \* 2/1998 Barton, Jr. .... D99/32  
D420,197 S \* 2/2000 Arnold ..... D99/30

The broken line showing of the face mask in FIG. 3 is for illustrative purposes only and forms no part of the claimed design.

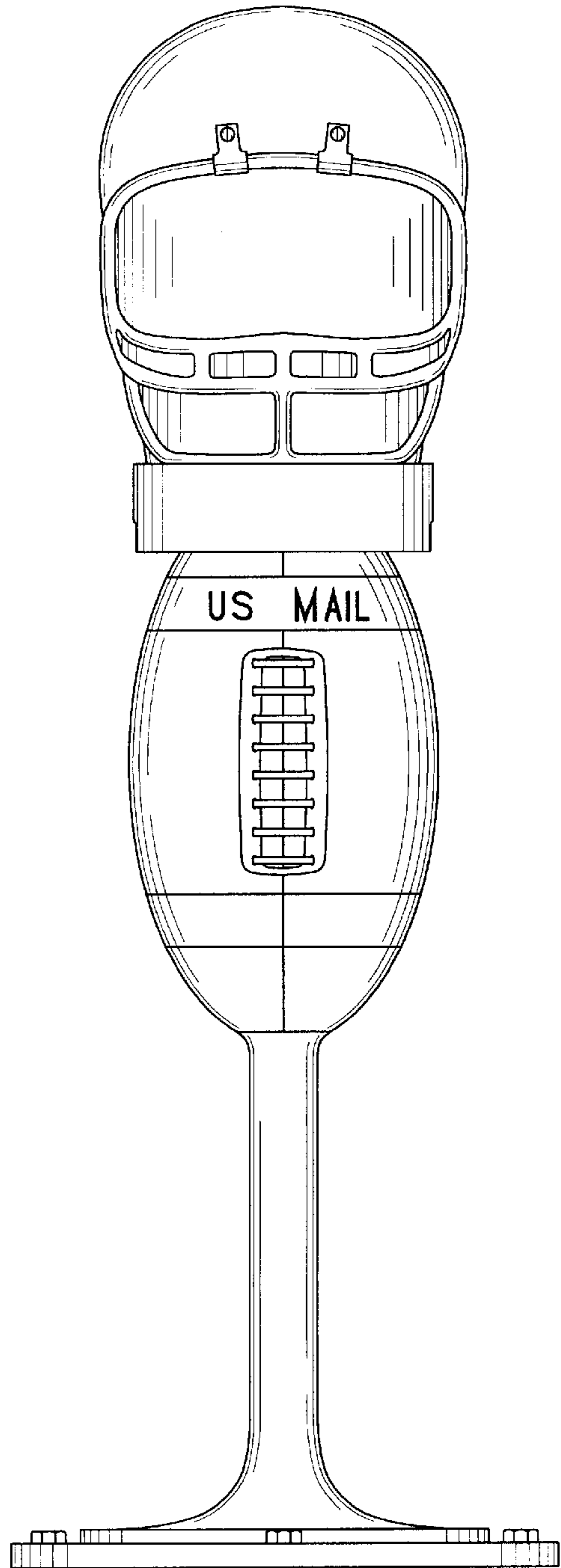
**1 Claim, 3 Drawing Sheets**



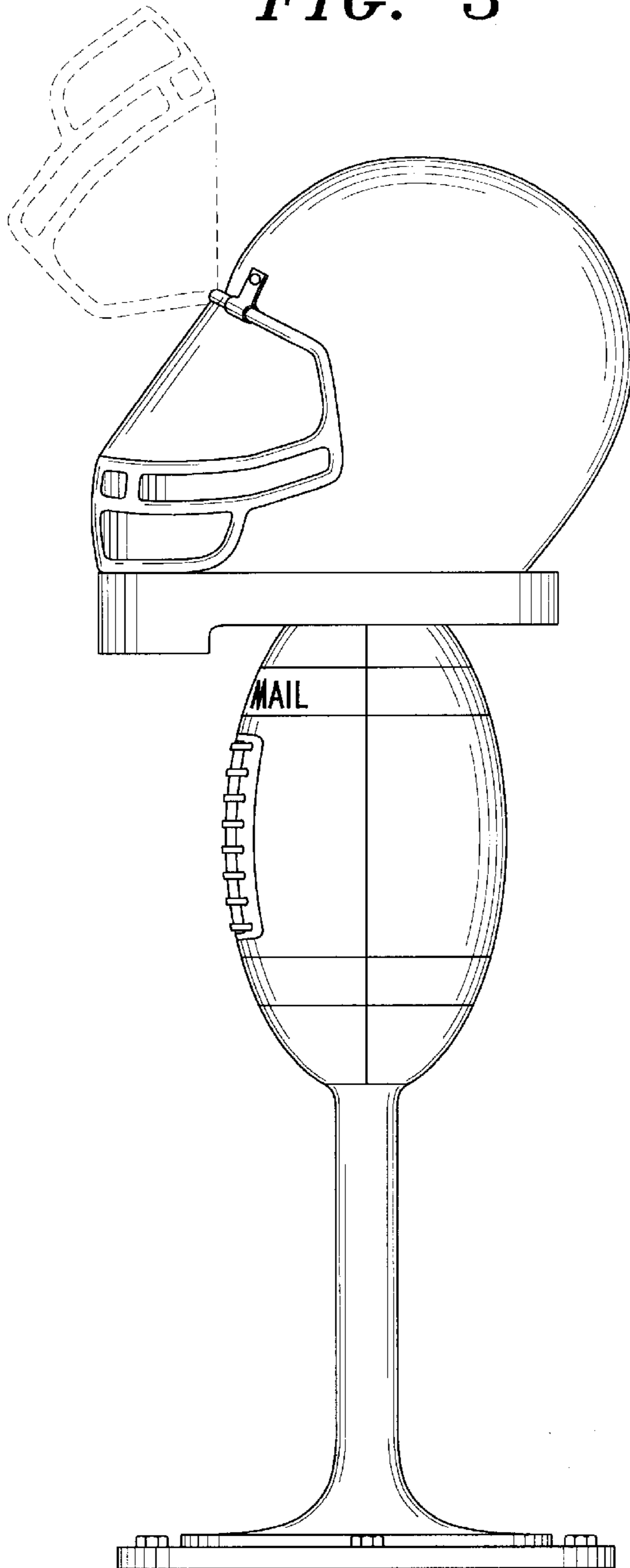
*FIG. 1*



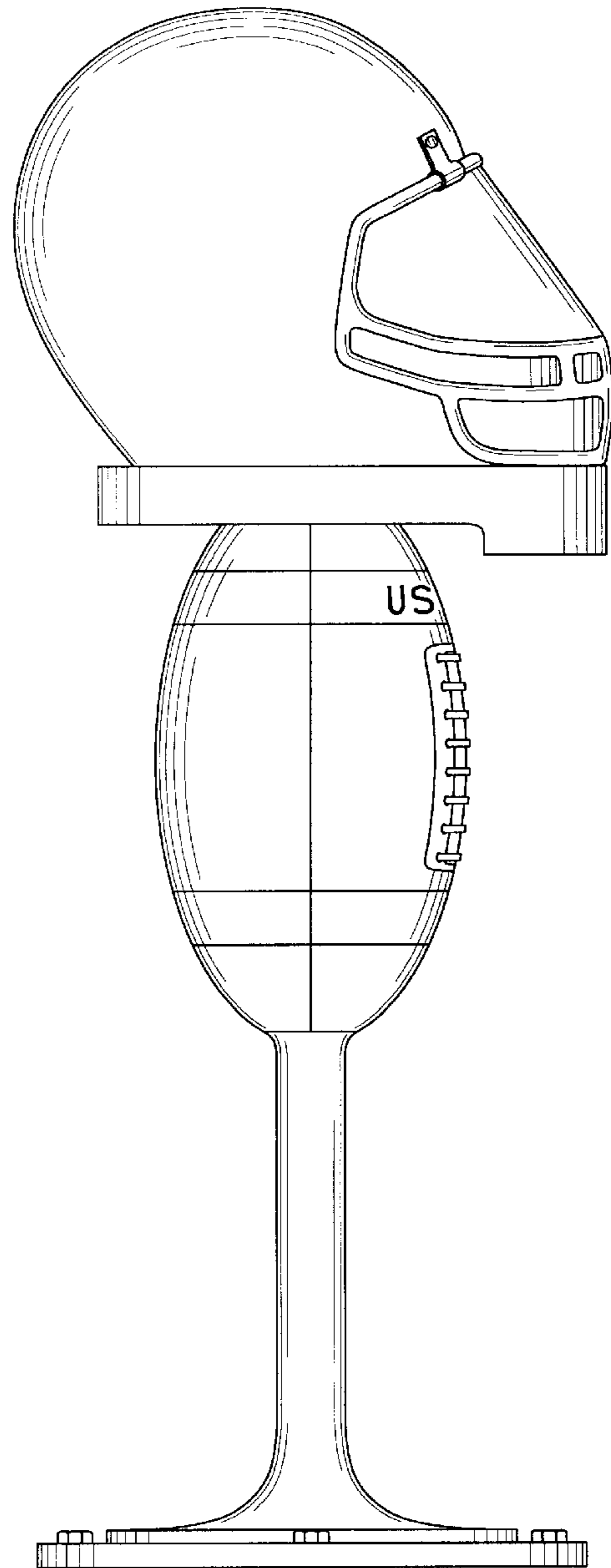
*FIG. 2*



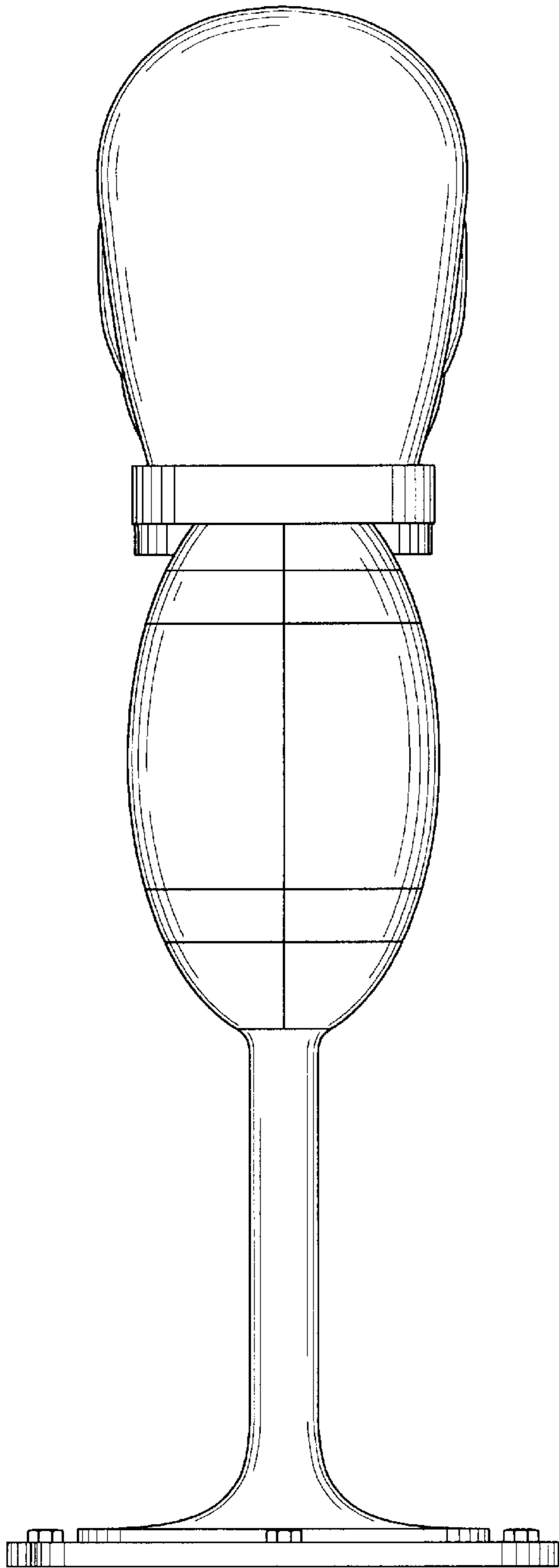
*FIG. 3*



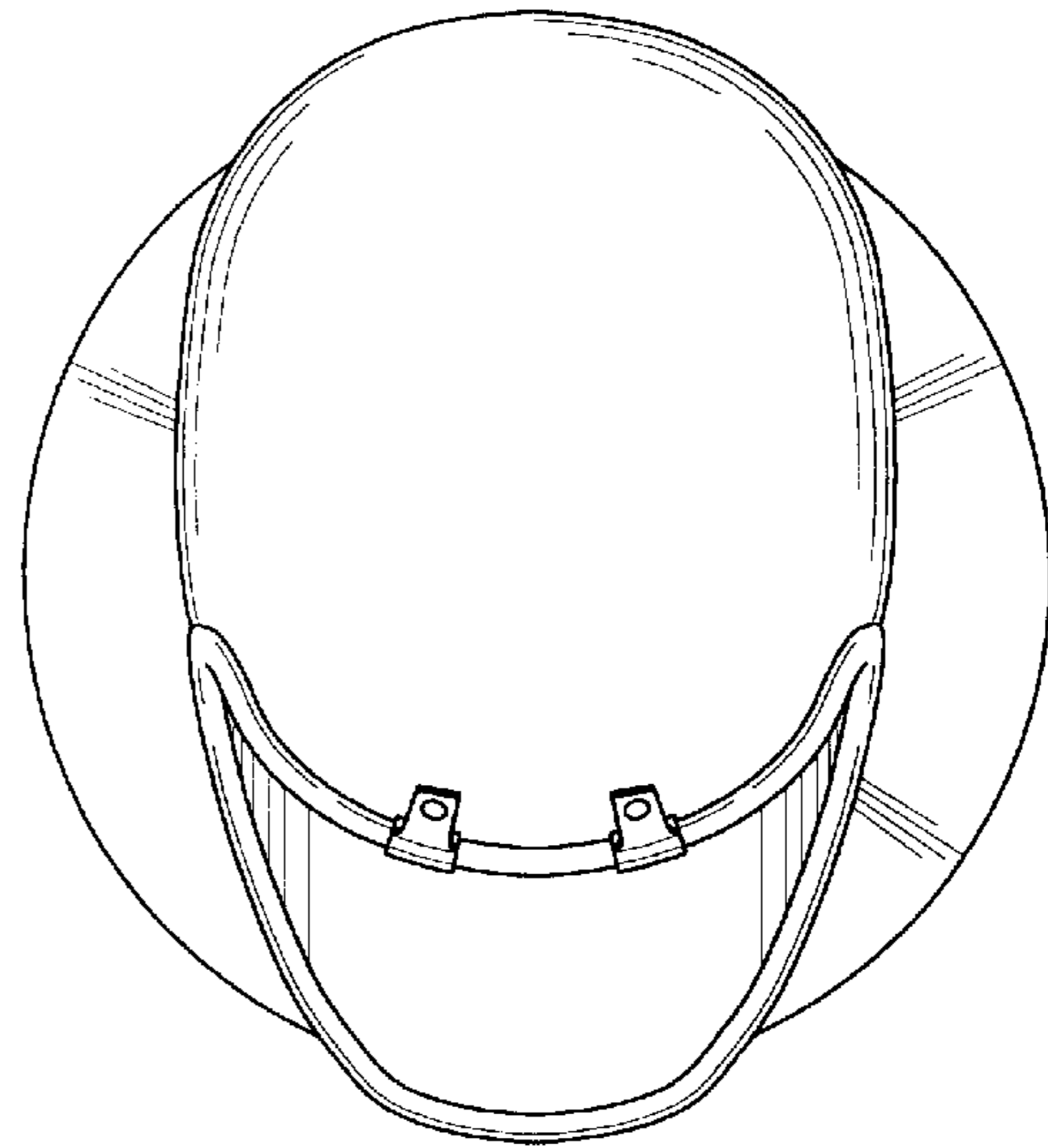
*FIG. 4*



*FIG. 5*



*FIG. 6*



*FIG. 7*

