



US00D458725S

(12) **United States Design Patent**
Chu et al.

(10) **Patent No.:** **US D458,725 S**
(45) **Date of Patent:** **** Jun. 11, 2002**

(54) **DINING CAR**

D408,604 S * 4/1999 De Battisti et al. D34/20

(76) Inventors: **Li Fu Chu; Dyi Wu Chen**, both of No.
1, Alley 16, Lane 40, Jinn Te Road,
Taichung (TW)

* cited by examiner

Primary Examiner—Kay H. Chin
(74) *Attorney, Agent, or Firm*—Troxell Law Office PLLC

(**) Term: **14 Years**

(57) **CLAIM**

(21) Appl. No.: **29/143,561**

The ornamental design for a dining car, as shown and described.

(22) Filed: **Jun. 18, 2001**

(51) **LOC (7) Cl.** **12-02**

(52) **U.S. Cl.** **D34/20; D34/14**

(58) **Field of Search** D34/12-27; 296/22;
280/79.11, 47.35; D6/434, 450, 474, 481

DESCRIPTION

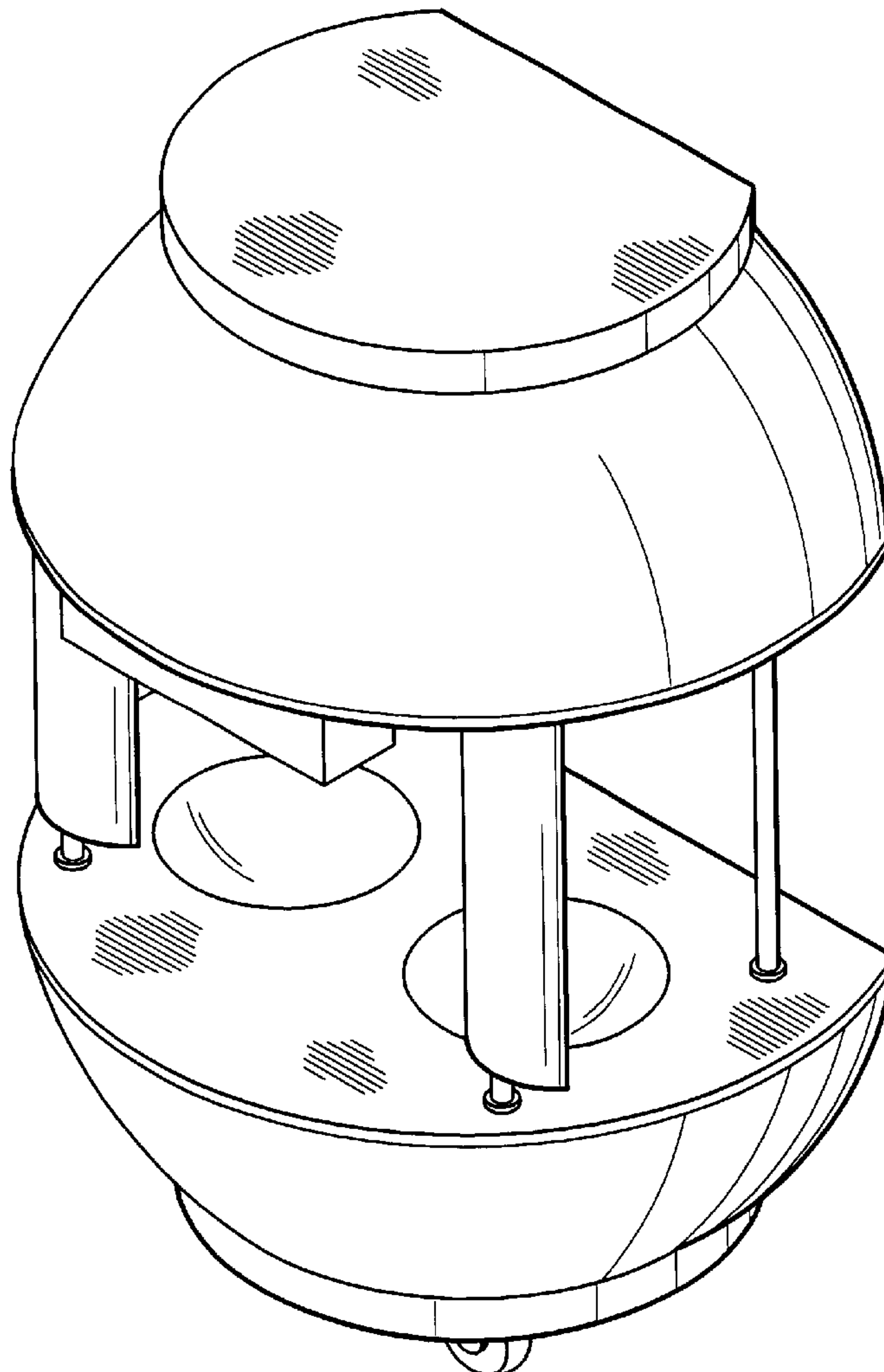
FIG. 1 is a front-right-top perspective view of a dining car, showing my new design;
FIG. 2 is a front elevational view thereof;
FIG. 3 is a rear elevational view thereof;
FIG. 4 is a left side elevational view thereof;
FIG. 5 is a right side elevational view thereof;
FIG. 6 is a top plan view thereof; and,
FIG. 7 is a bottom plan view thereof.

(56) **References Cited**

U.S. PATENT DOCUMENTS

D276,754 S * 12/1984 Smith D34/20
D322,351 S * 12/1991 O'Brien D34/18
D398,432 S * 9/1998 Yerkes D34/20

1 Claim, 6 Drawing Sheets



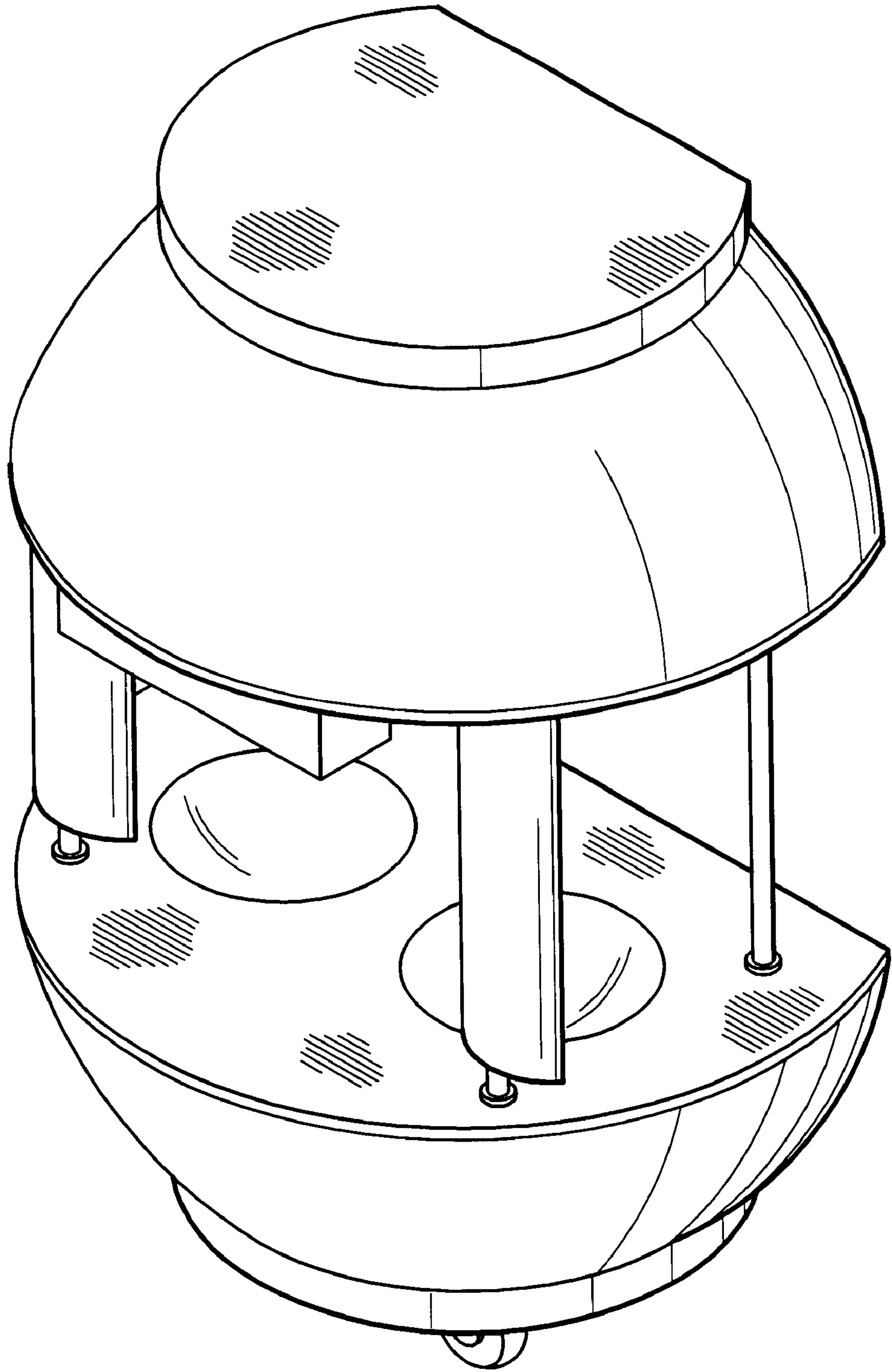


FIG. 1

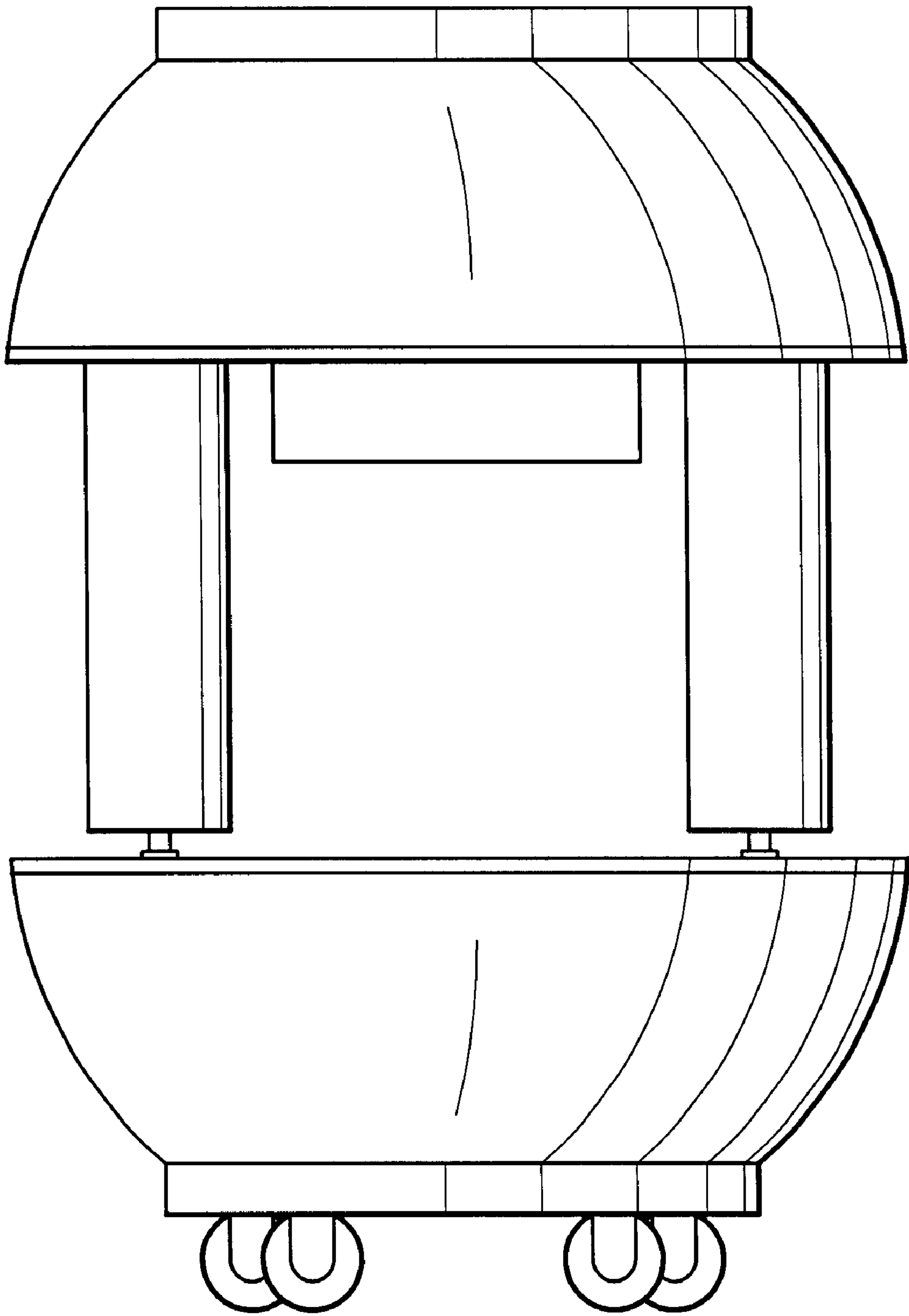


FIG. 2

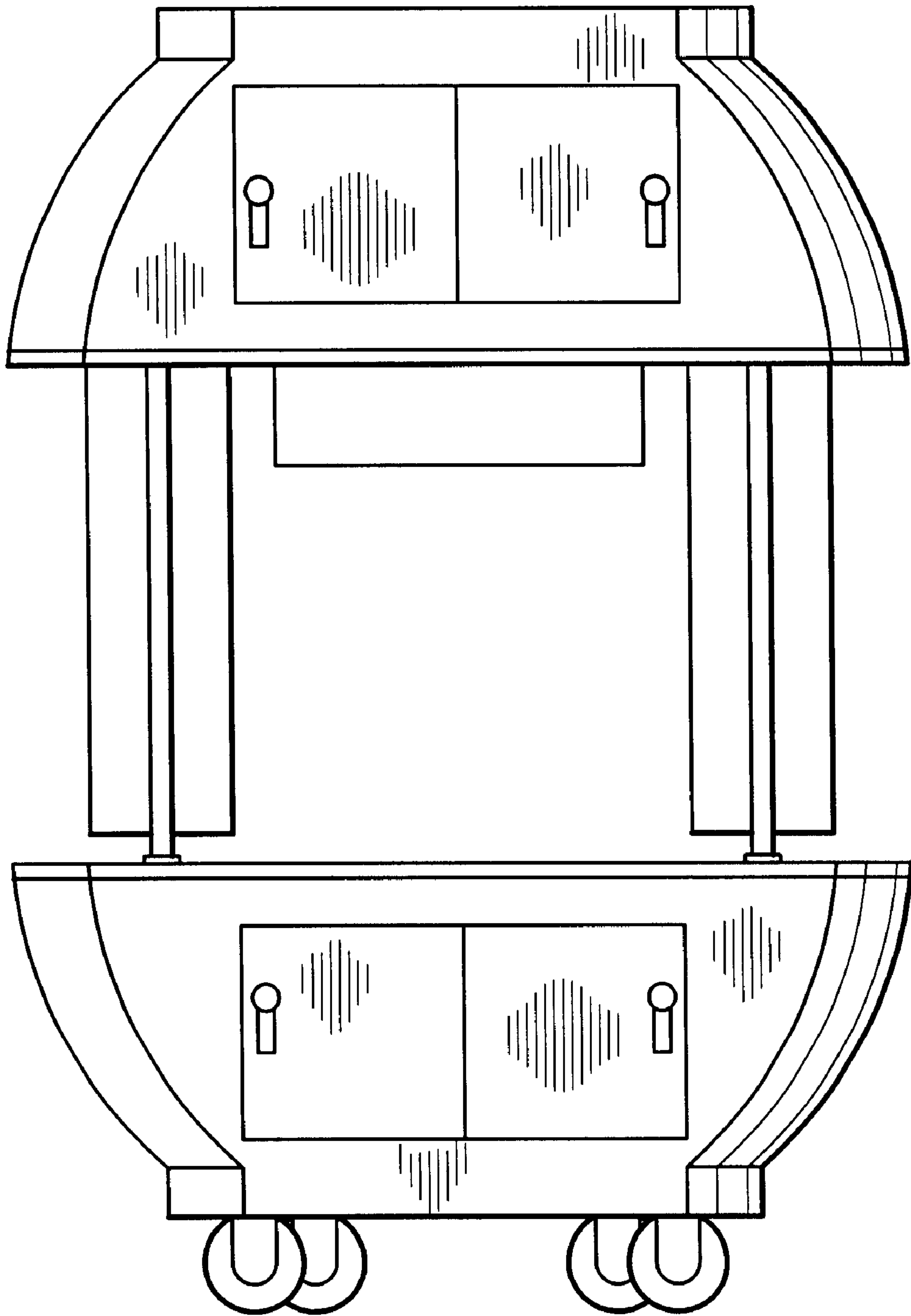


FIG. 3

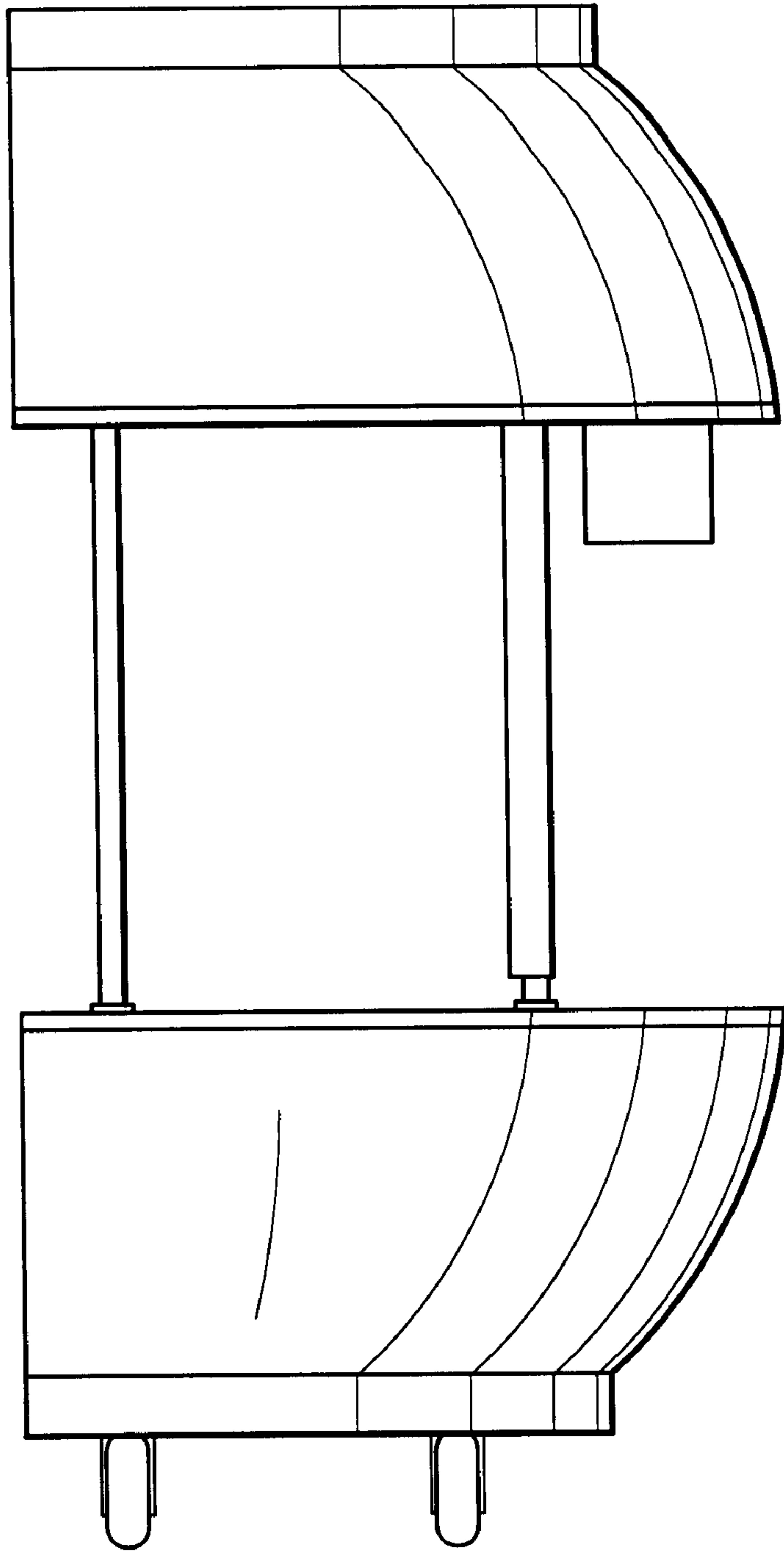


FIG. 4

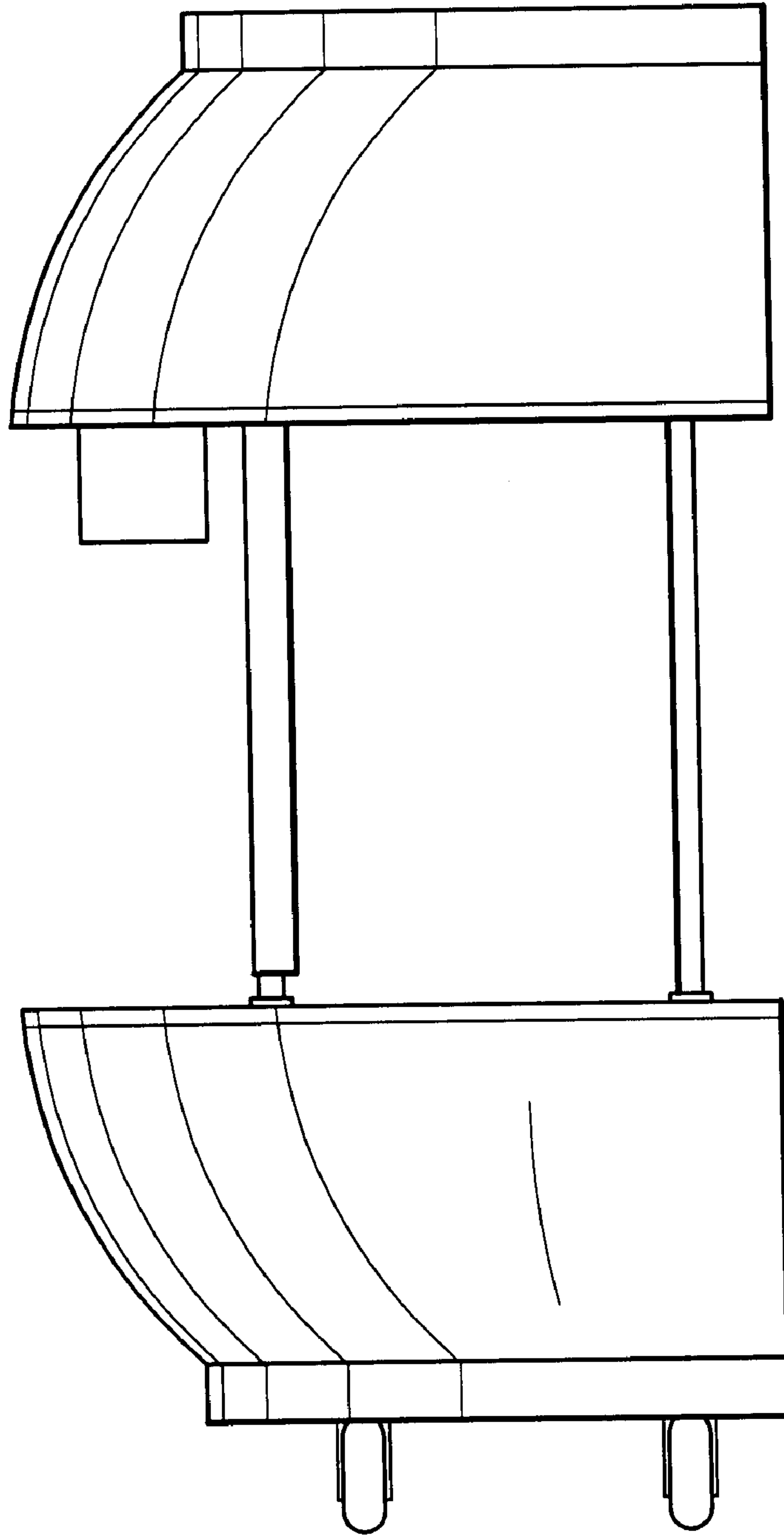


FIG. 5

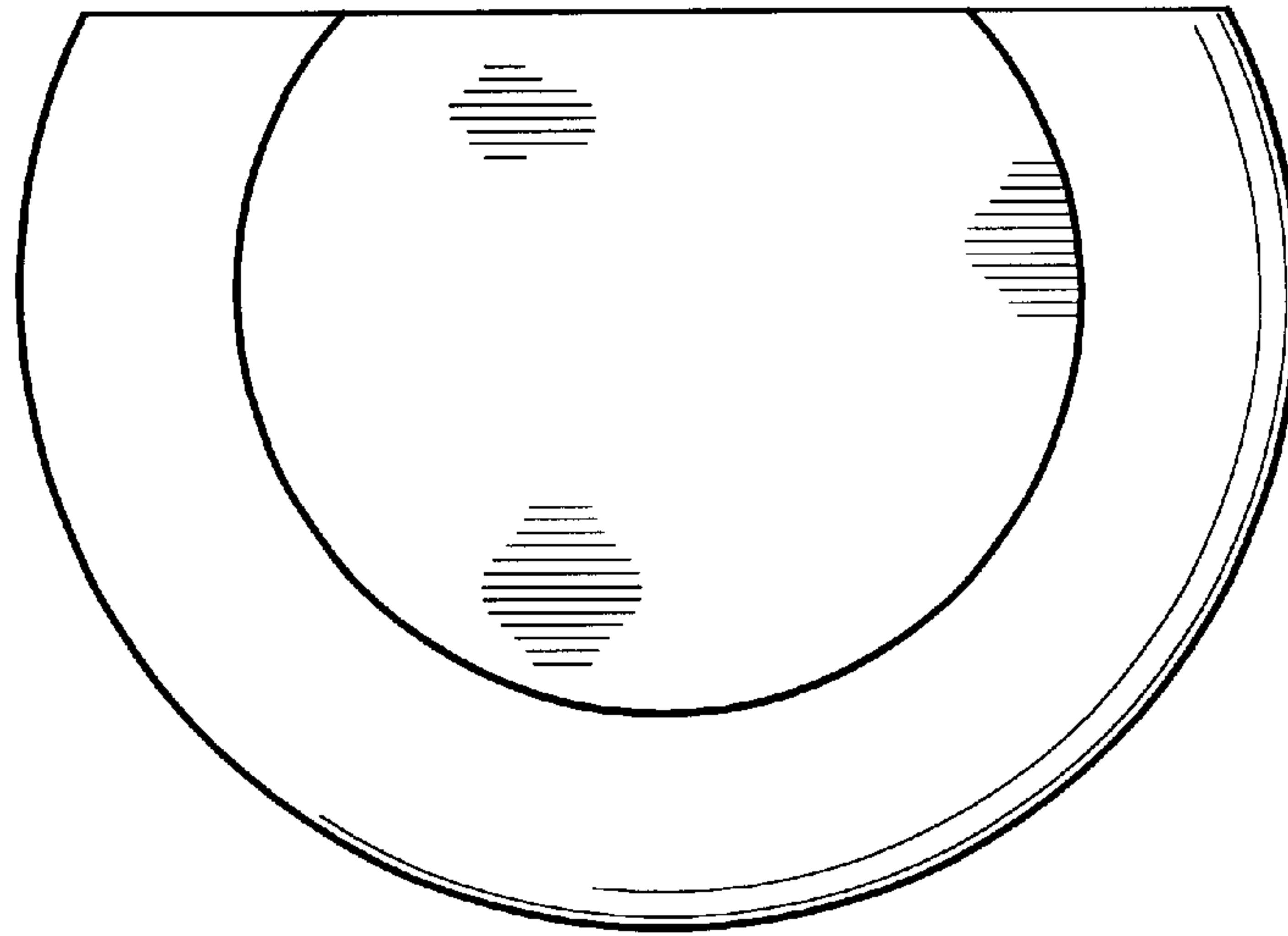


FIG. 6

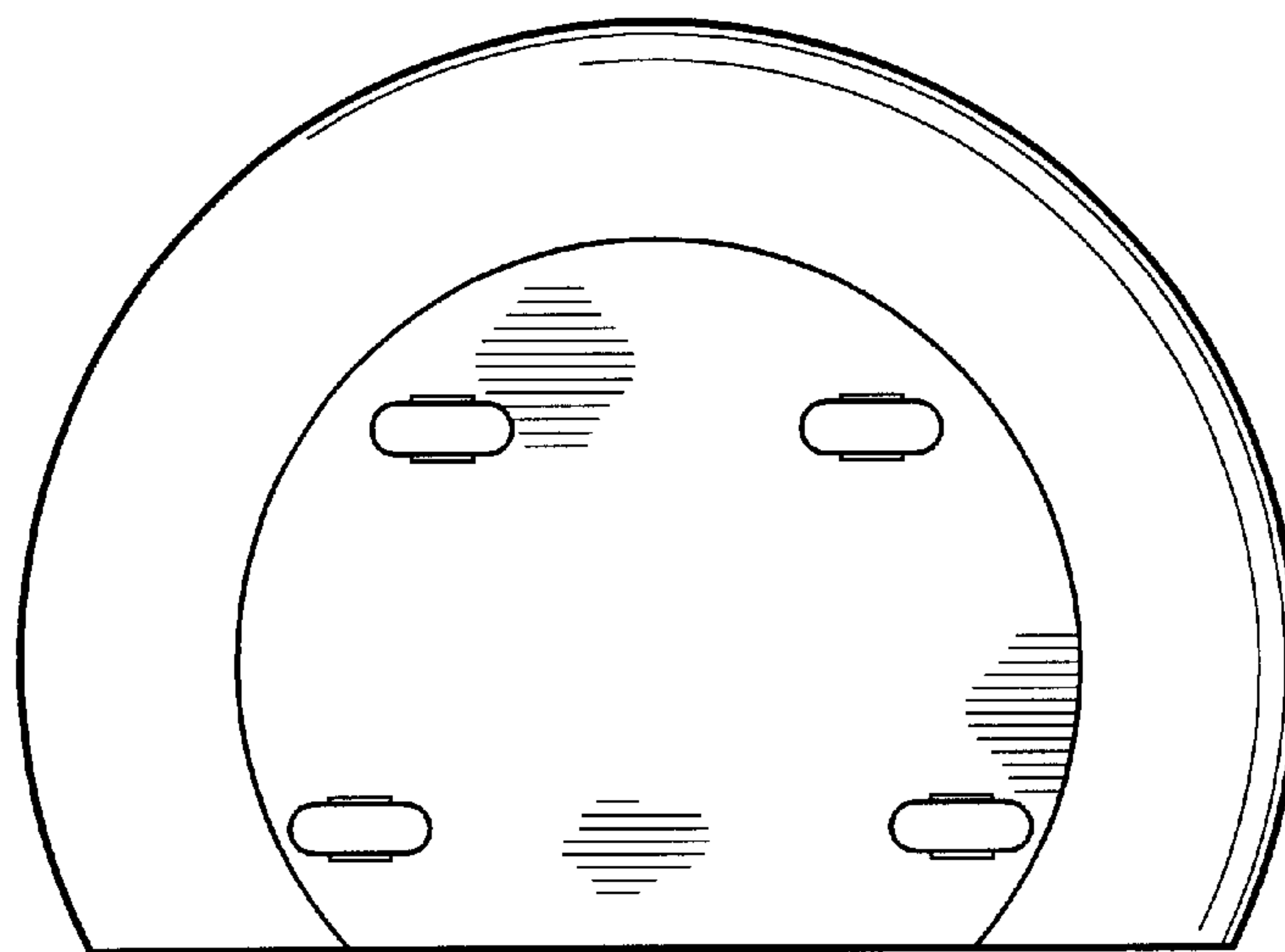


FIG. 7