



US00D458723S

(12) **United States Design Patent**
Malvasio

(10) **Patent No.:** **US D458,723 S**
(45) **Date of Patent:** **** Jun. 11, 2002**

(54) **COMBINED PAINT CUP AND BRUSH HOLDER**

5,810,196 A 9/1998 Lundy
RE35,933 E 10/1998 Scholl
6,065,633 A 5/2000 Abbey
6,138,963 A * 10/2000 Malvasio 220/555

(76) **Inventor:** **William A. Malvasio**, 2523 N. Lake Dr., Milwaukee, WI (US) 53211

* cited by examiner

(**) **Term:** **14 Years**

Primary Examiner—Jennifer Rivard
(74) *Attorney, Agent, or Firm*—Arthur J. Hansmann

(21) **Appl. No.:** **29/137,739**

(57) **CLAIM**

(22) **Filed:** **Feb. 28, 2001**

The ornamental design for a combined paint cup and brush holder, as shown and described.

(51) **LOC (7) Cl.** **07-07**

(52) **U.S. Cl.** **D32/53.1**

(58) **Field of Search** D32/53, 53.1;
15/237.05, 237.06; 220/695, 697, 570, 736,
771, 772, 555

DESCRIPTION

FIG. 1 is a top perspective view of a combined paint cup and brush holder showing my new design;
FIG. 2 is a right side elevation view thereof, the left side elevation being a mirror image of this right side view;
FIG. 3 is a front elevation view thereof;
FIG. 4 is a rear side elevation view thereof;
FIG. 5 is a bottom plan view thereof;
FIG. 6 is a top plan view thereof; and,
FIG. 7 is a sectional view taken along the plane designated by the line labeled 7—7 of FIG. 6.

(56) **References Cited**

U.S. PATENT DOCUMENTS

D251,283 S	3/1979	Nicholas	
4,860,891 A	* 8/1989	Biggio	15/257.05
4,927,046 A	5/1990	Armstrong	
D346,249 S	4/1994	Peltier	
5,322,183 A	6/1994	Strachan	
D382,763 S	8/1997	Jeppesen	

1 Claim, 4 Drawing Sheets

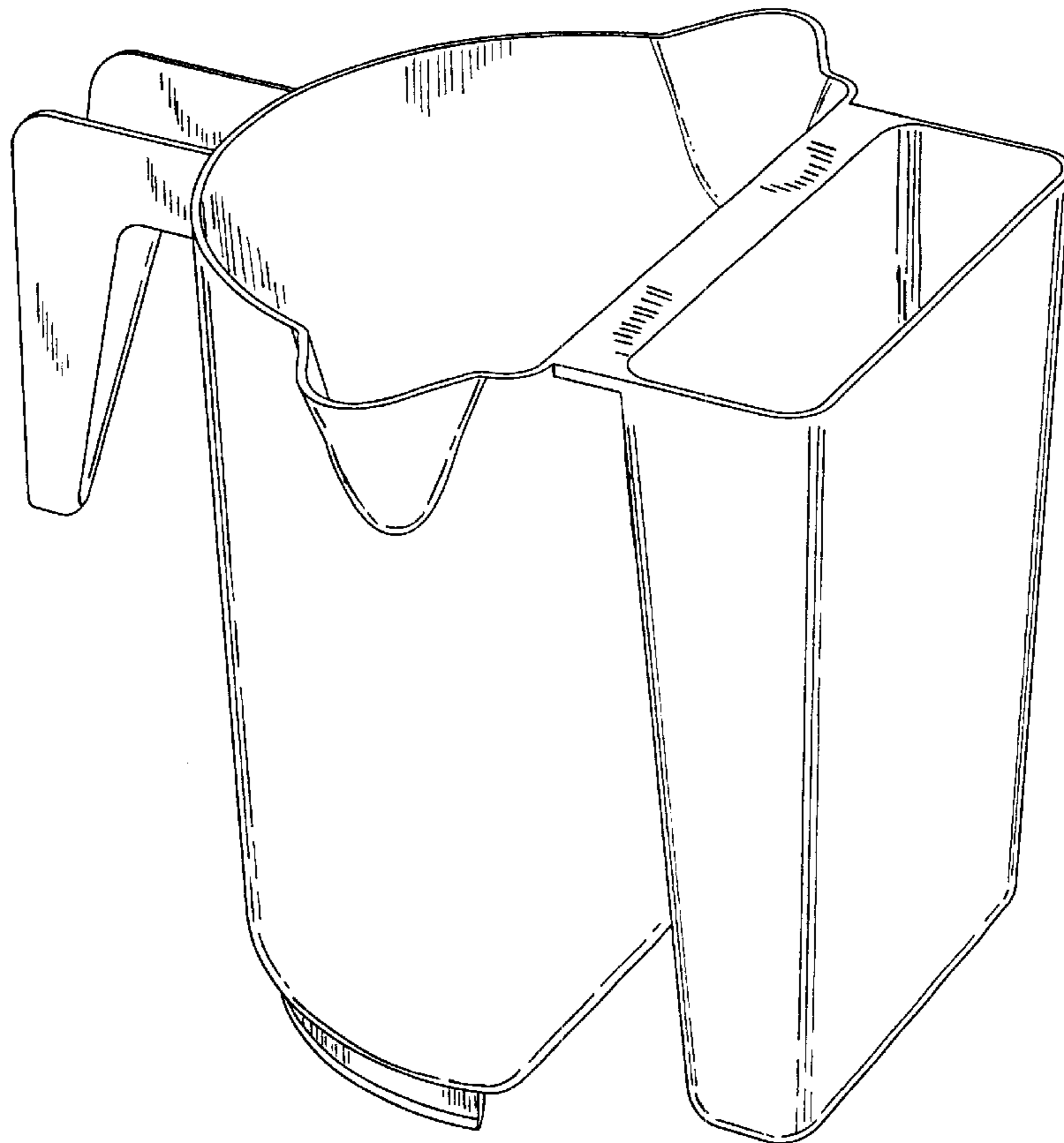


Fig. 1

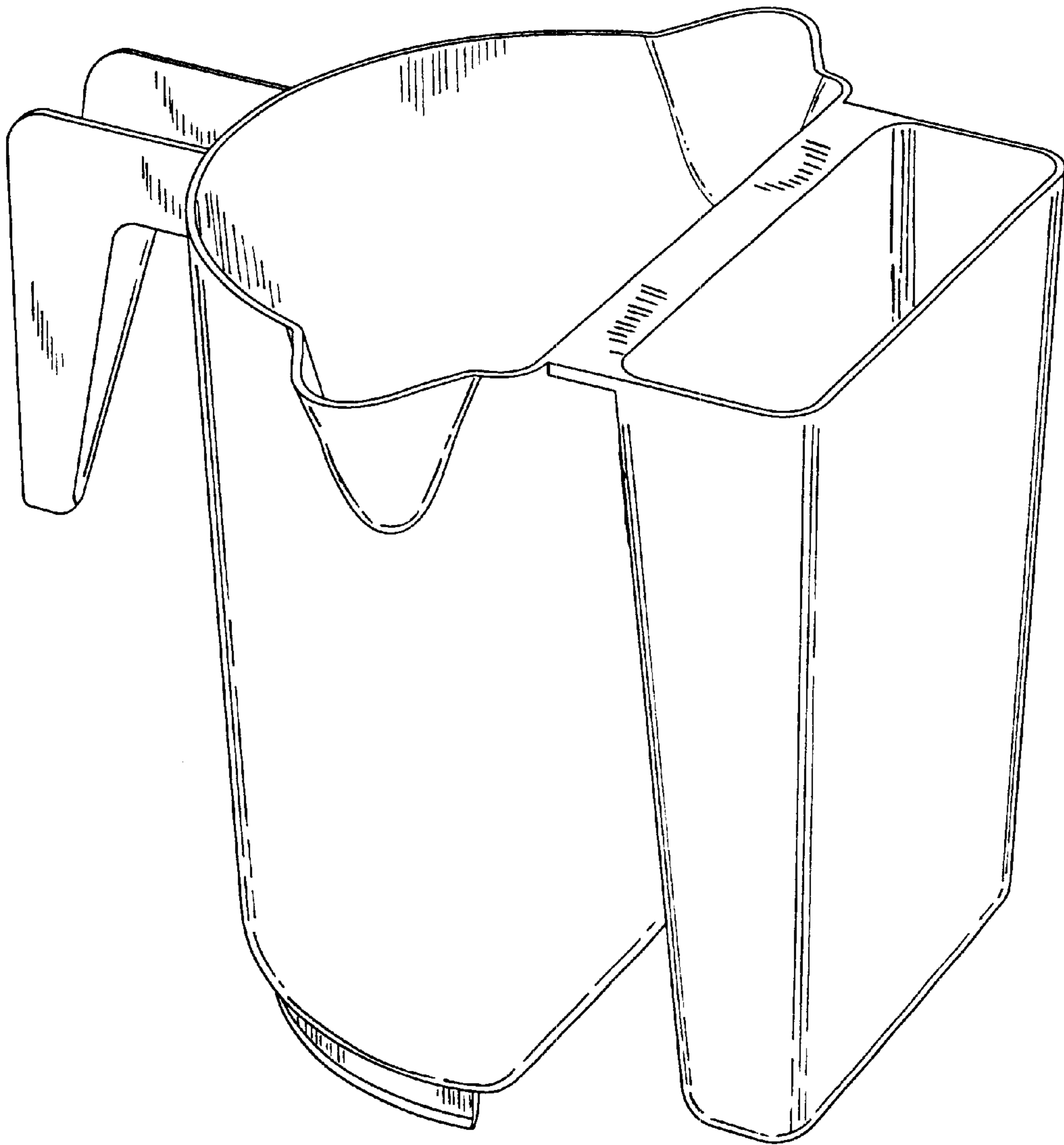


Fig. 2

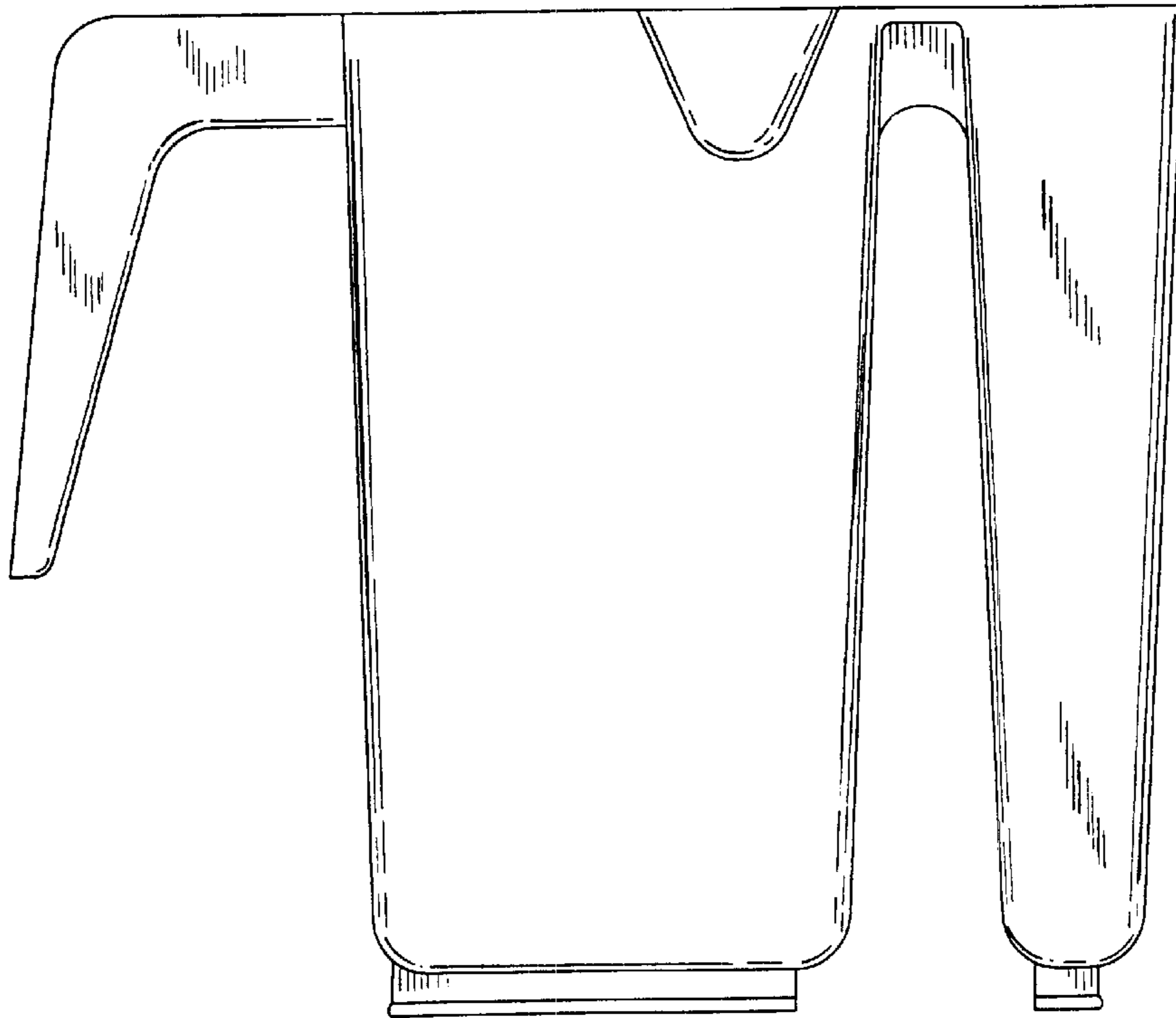


Fig. 3

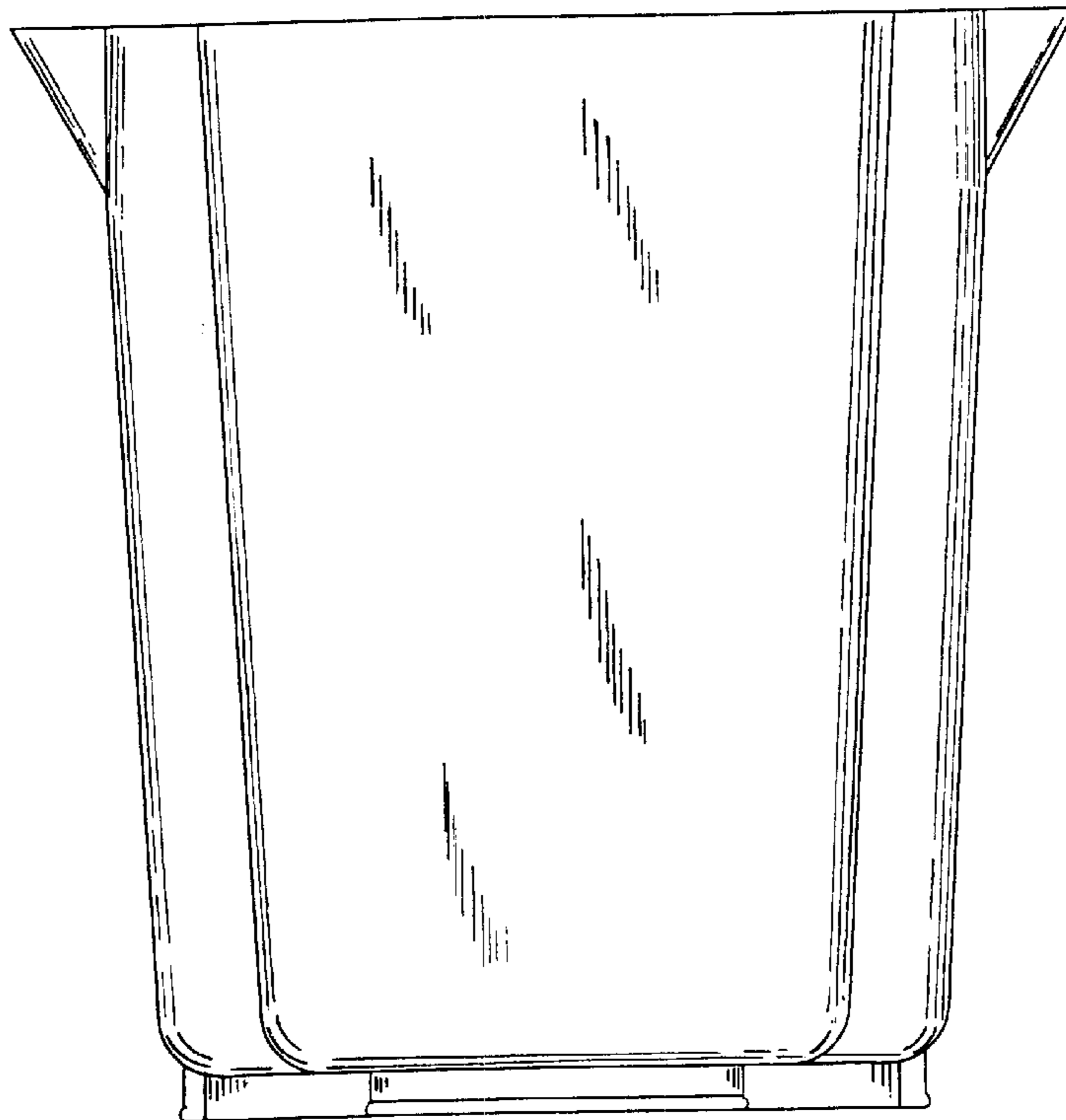


Fig. 4

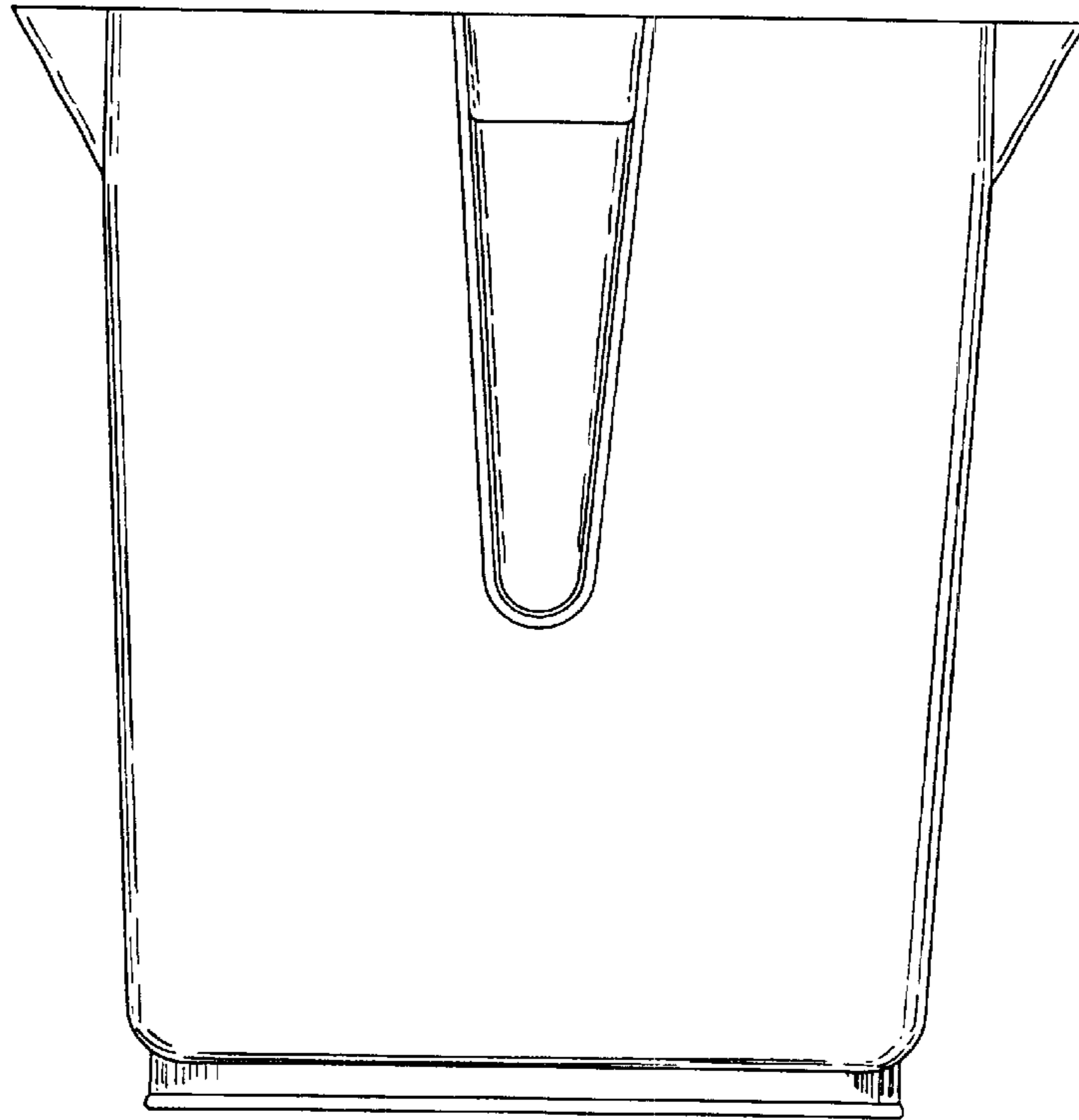


Fig. 5

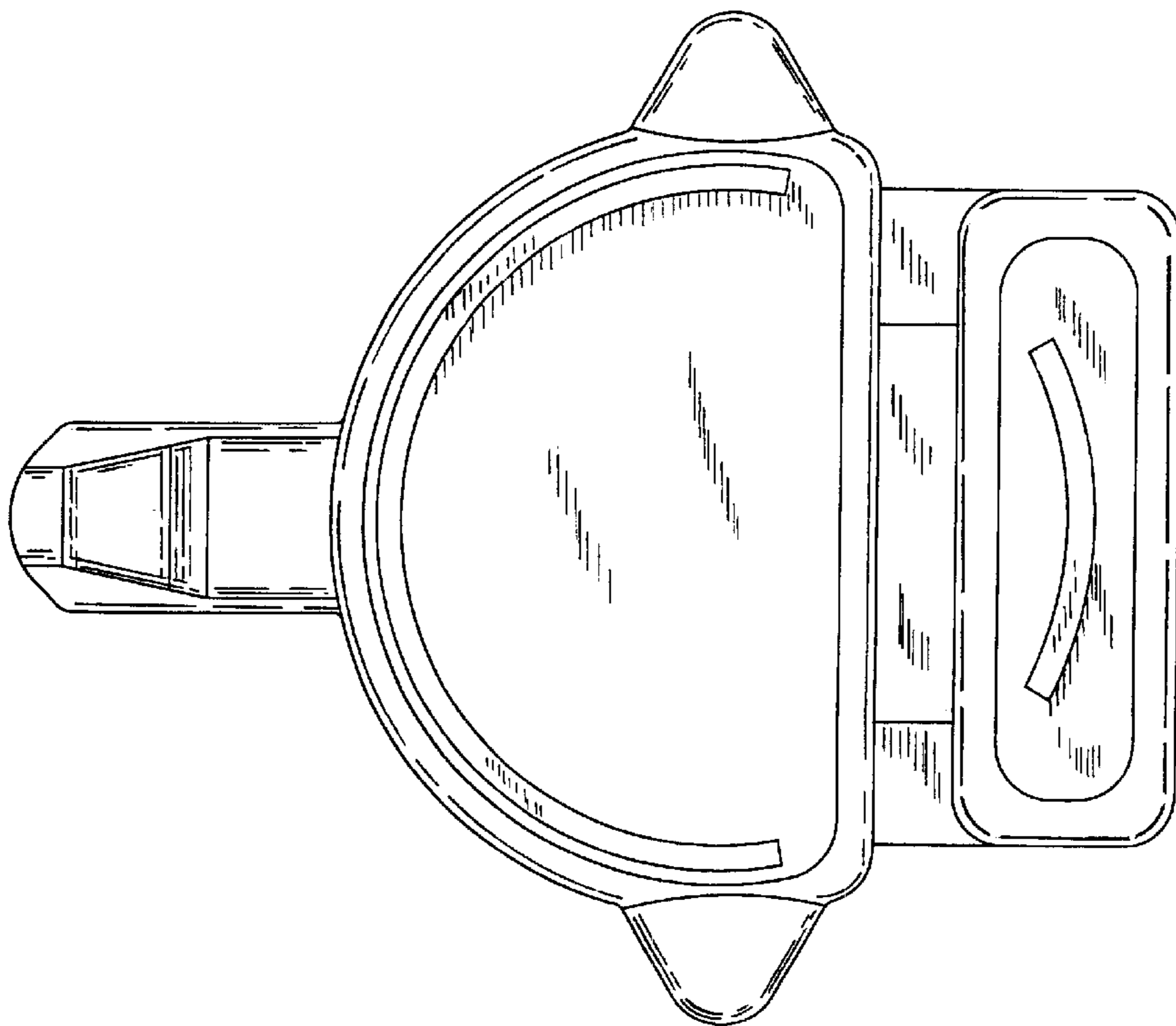


Fig. 6

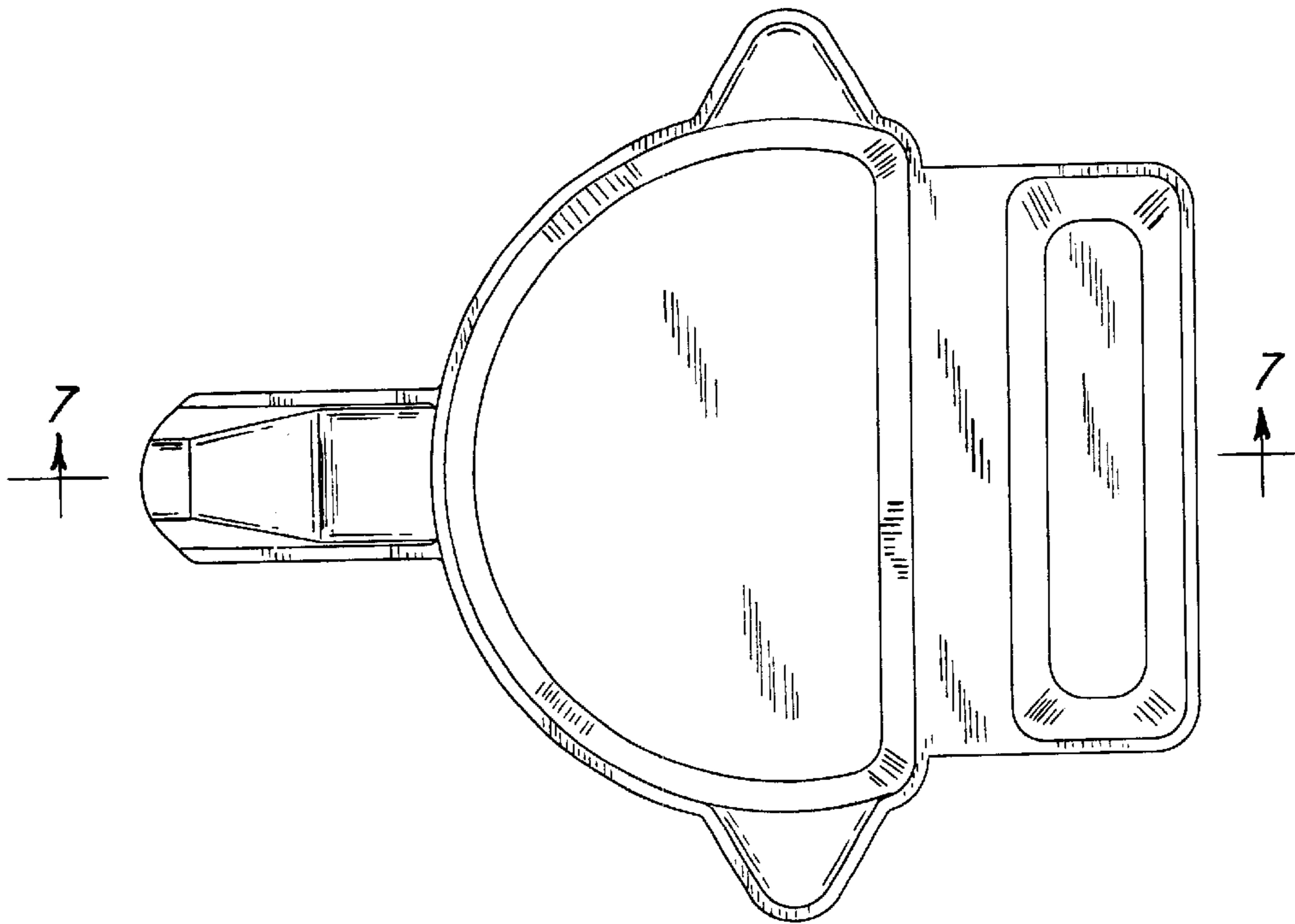


Fig. 7

