



US00D458721S

(12) **United States Design Patent**  
**Clarke**

(10) **Patent No.:** **US D458,721 S**

(45) **Date of Patent:** **\*\* Jun. 11, 2002**

(54) **MULTI-PURPOSE HANDLE**

(75) **Inventor:** **George G. Clarke, Wilmette, IL (US)**

(73) **Assignee:** **Sweports Limited, Chicago, IL (US)**

(\*\*) **Term:** **14 Years**

(21) **Appl. No.:** **29/141,569**

(22) **Filed:** **May 8, 2001**

(51) **LOC (7) Cl.** ..... **04-01**

(52) **U.S. Cl.** ..... **D32/51; D4/138**

(58) **Field of Search** ..... **D4/132, 138; D32/35, D32/40, 50, 51; 15/143.1, 144.1, 144.2, 144.3, 144.4, 159.1, 160; 16/110.1, 430, 431; D8/9-11, 13, 107; 294/57, 59, 19.1**

(56) **References Cited**

**U.S. PATENT DOCUMENTS**

2,680,643	A	*	6/1954	Cravotta	.....	D8/9	X
4,704,758	A	*	11/1987	Hoffman	.....	15/144.4	
4,809,388	A	*	3/1989	Dietrich	.....	15/143.1	
5,207,754	A		5/1993	Harrah			
5,352,057	A		10/1994	Zody			
5,375,286	A		12/1994	Harrah			
D376,742	S	*	12/1996	Filowiak et al.	.....	D8/13	
5,579,557	A		12/1996	Boden			
5,771,535	A		6/1998	Blessing			
D404,982	S	*	2/1999	Fluent	.....	D8/11	
D411,673	S		6/1999	Biggs et al.			
5,920,944	A		7/1999	Biggs et al.			
5,940,933	A		8/1999	Chang			

6,003,187 A 12/1999 Footer et al.

6,029,308 A 2/2000 Smith

\* cited by examiner

*Primary Examiner*—Alan P. Douglas

*Assistant Examiner*—Lavone Tabor

(74) *Attorney, Agent, or Firm*—Mayer, Brown & Platt

(57) **CLAIM**

The ornamental design for a multi-purpose handle, as shown and described.

**DESCRIPTION**

FIG. 1 is a front perspective view of a first embodiment of a multi-purpose handle;

FIG. 2 is a front elevational view thereof;

FIG. 3 is a top plan view thereof;

FIG. 4 is a right side elevational view thereof;

FIG. 5 is a rear elevational view thereof;

FIG. 6 is a bottom plan view thereof;

FIG. 7 is a front perspective view of a second embodiment of a multi-purpose handle;

FIG. 8 is a front elevational view thereof;

FIG. 9 is a top plan view thereof;

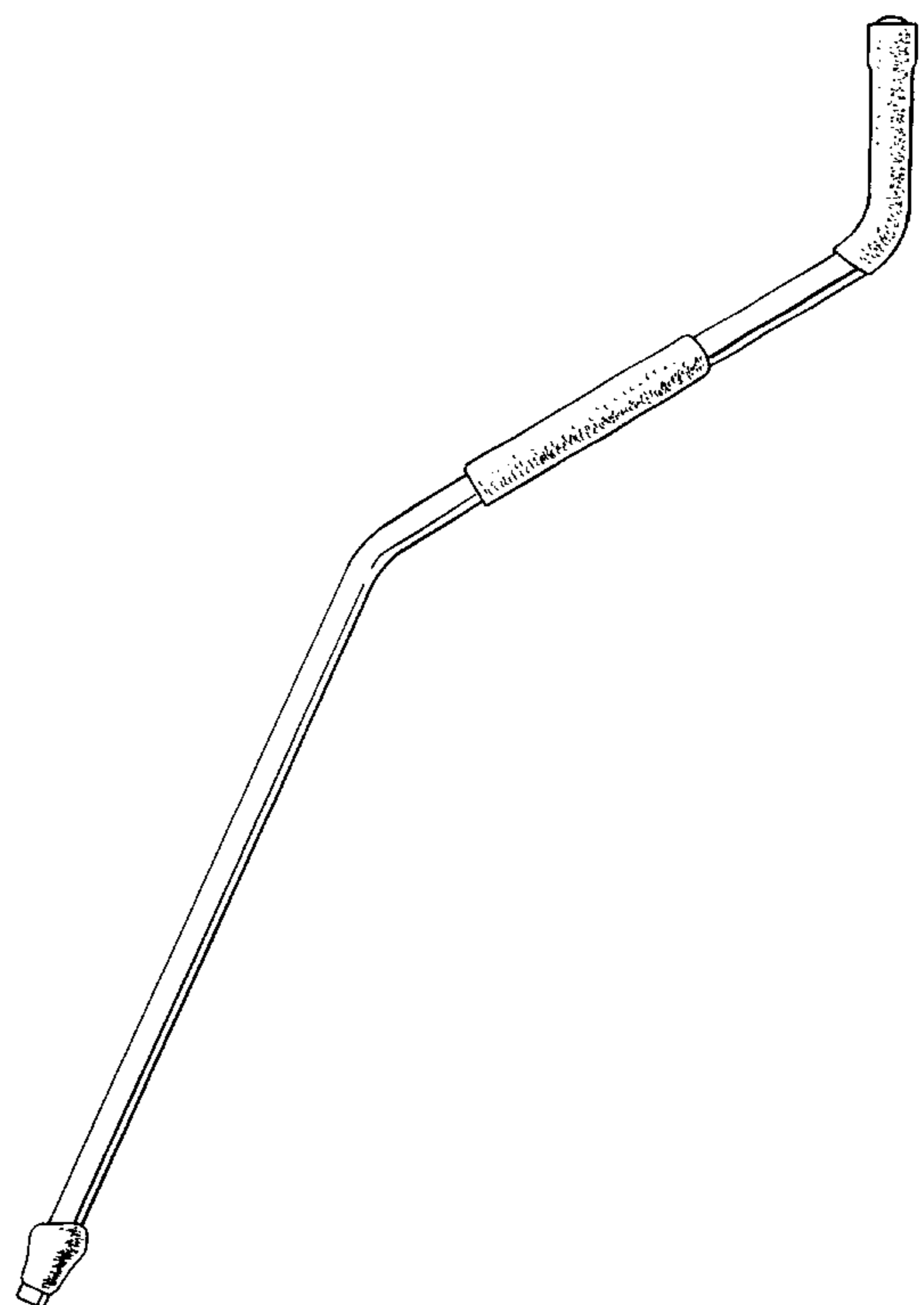
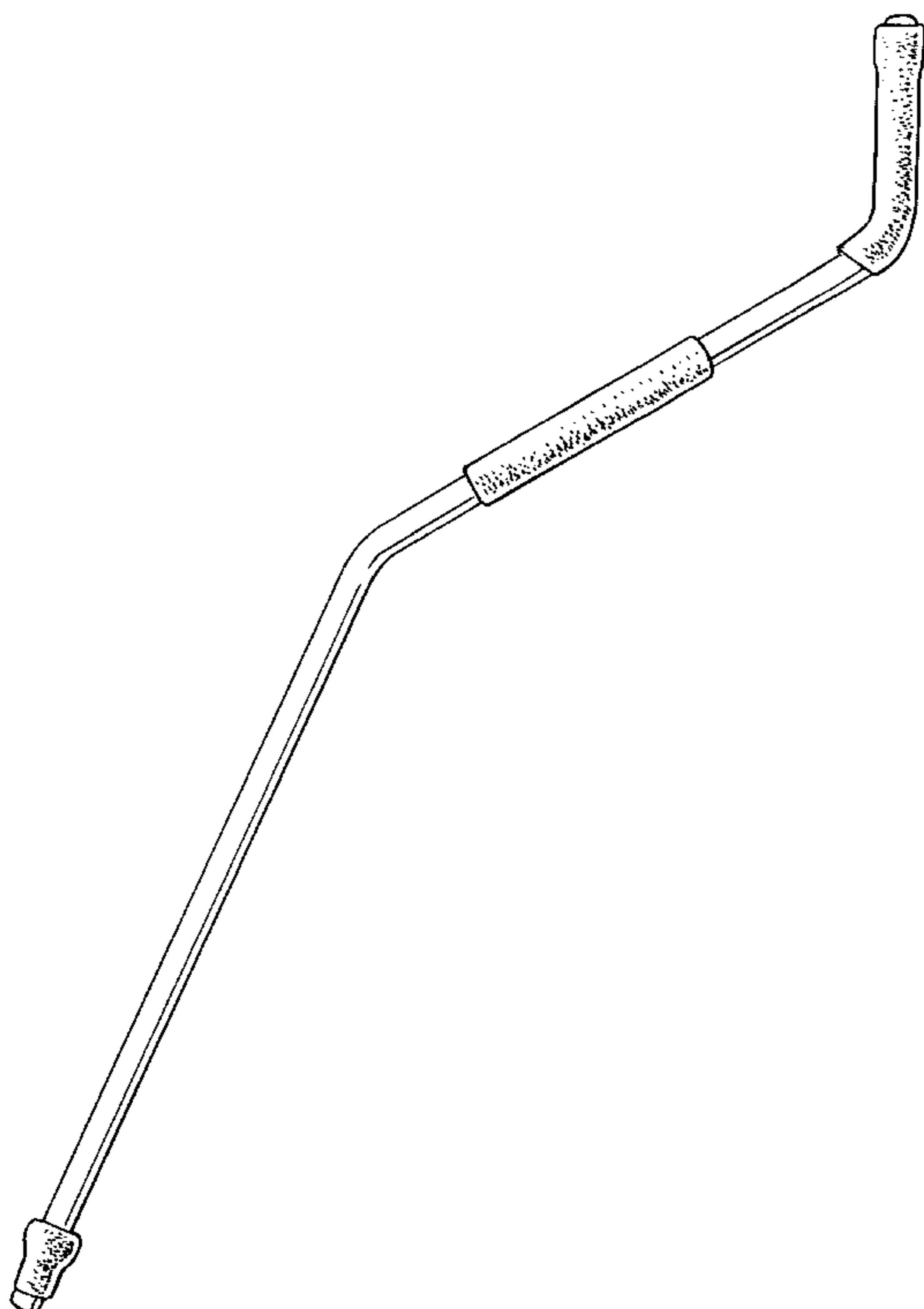
FIG. 10 is a right side elevational view thereof;

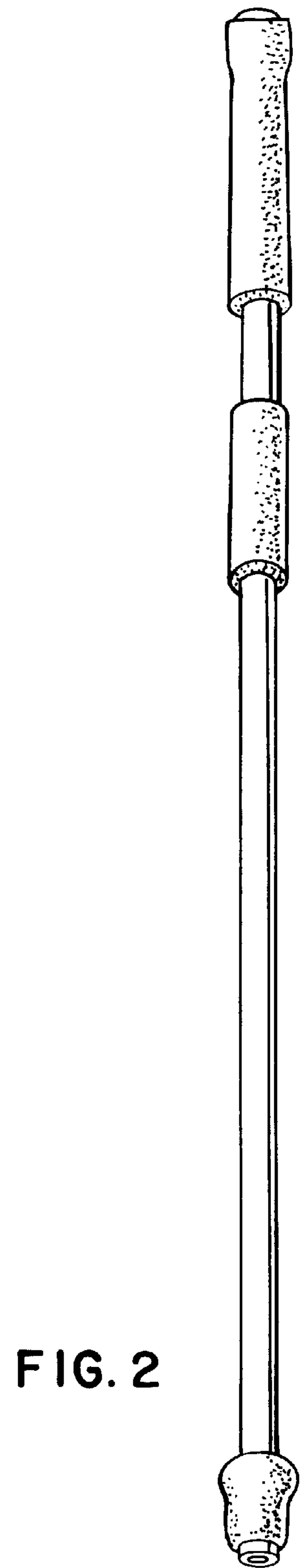
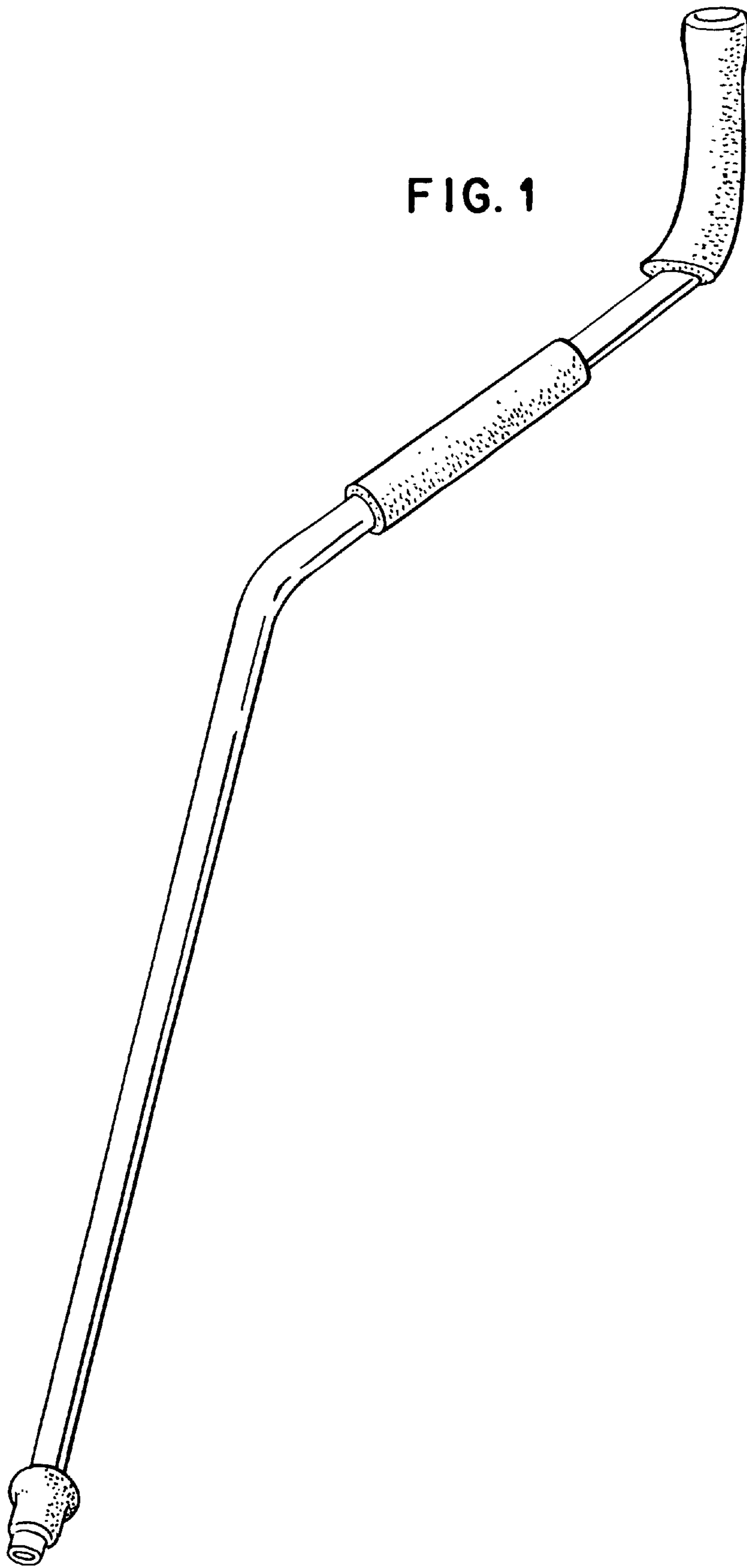
FIG. 11 is a rear elevational view thereof; and,

FIG. 12 is a bottom plan view thereof.

For both the first and second embodiment of the multi-purpose handle, the left side elevational view is symmetrical to the right side view.

**1 Claim, 4 Drawing Sheets**





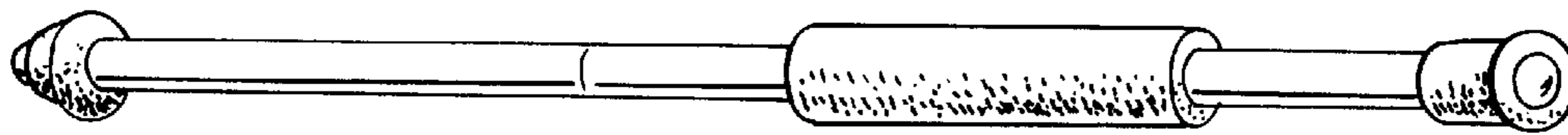


FIG. 3

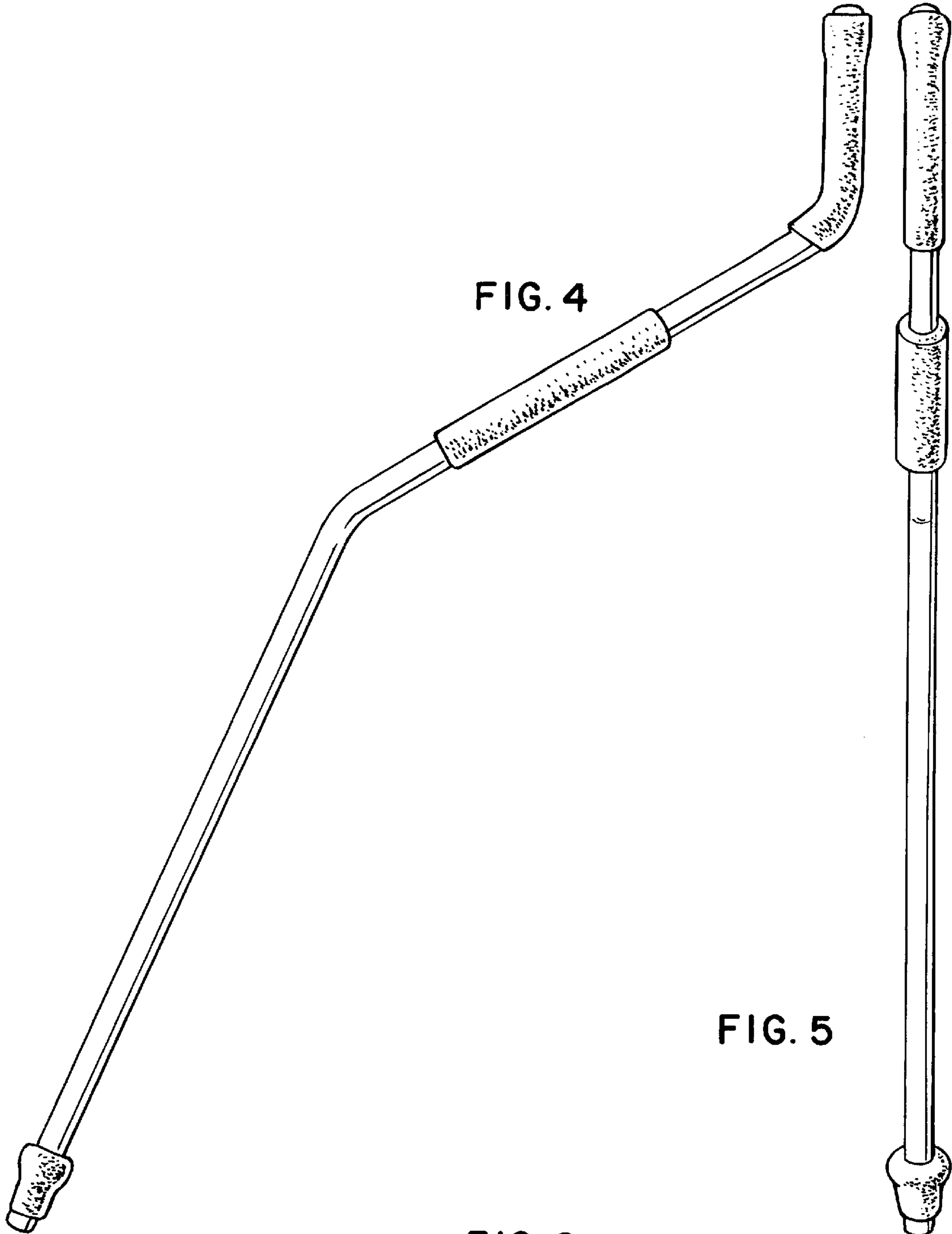


FIG. 4

FIG. 5

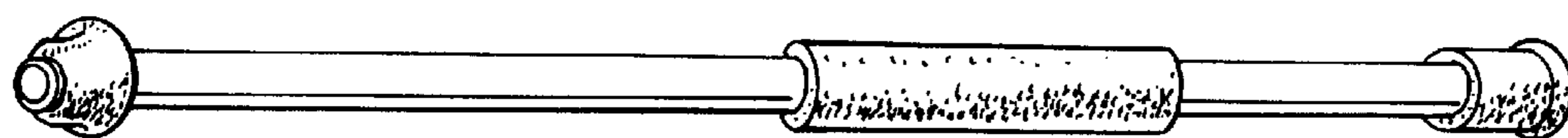
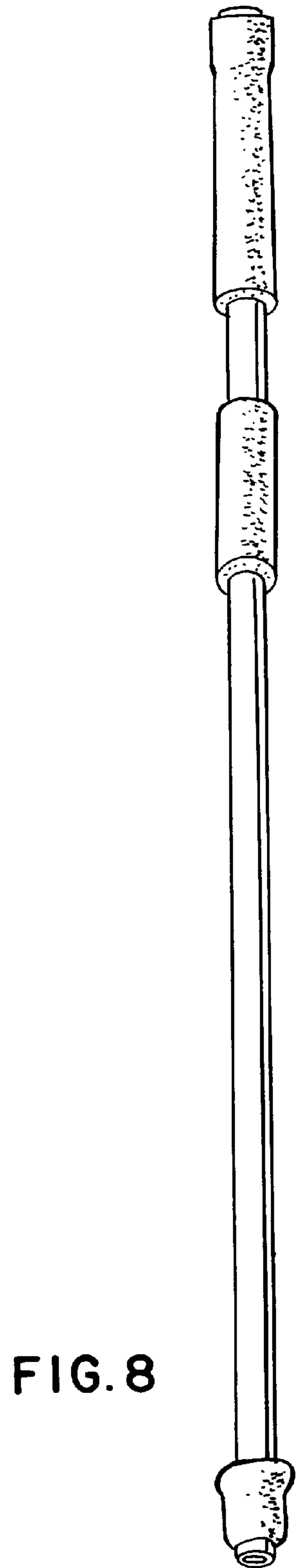
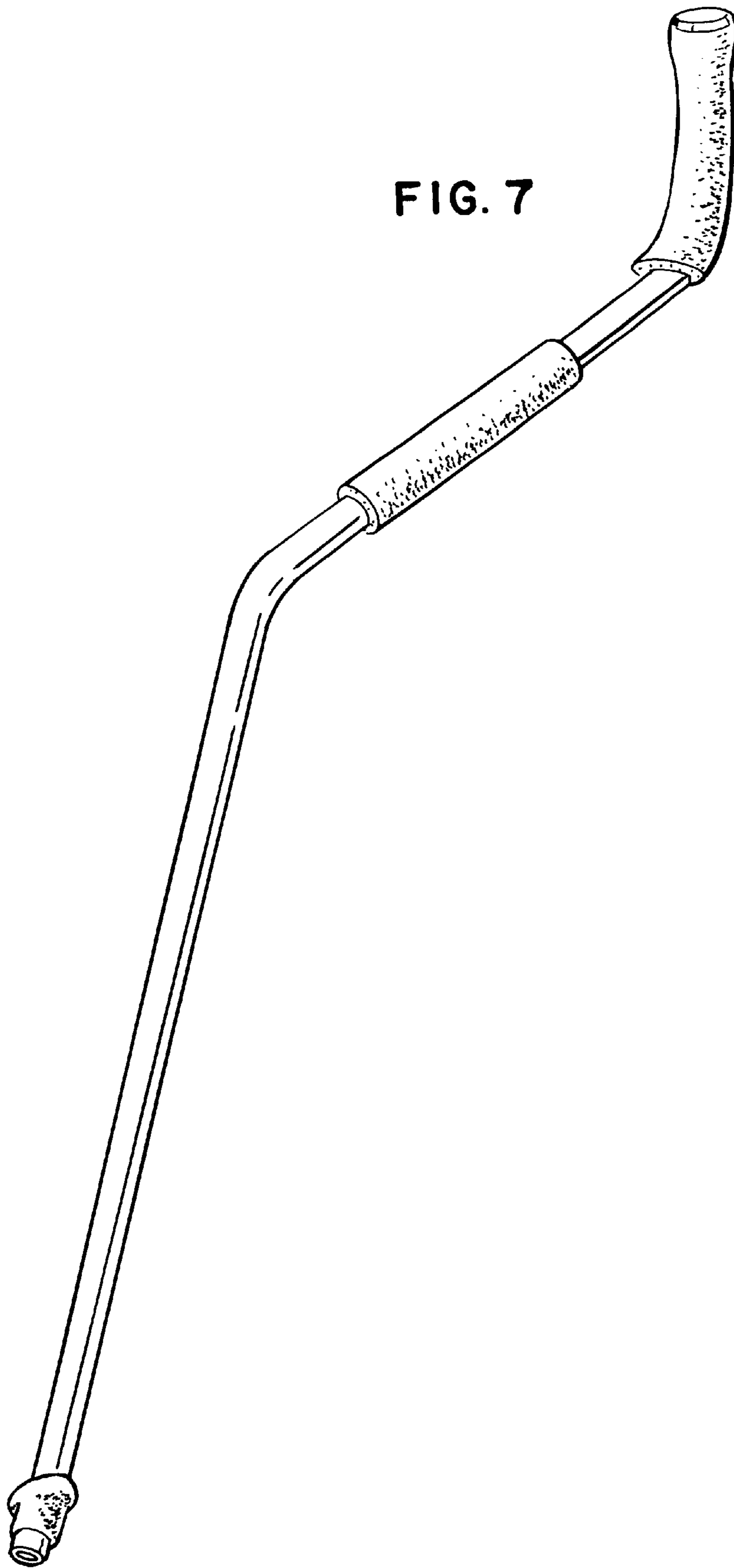


FIG. 6



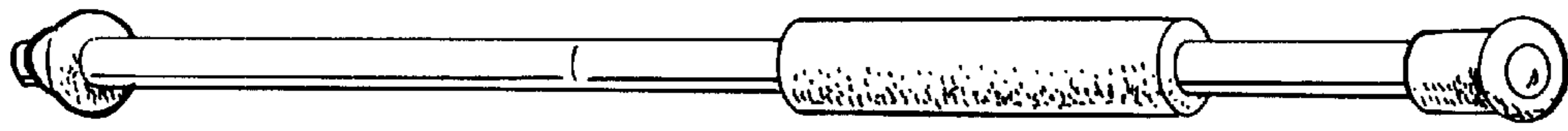


FIG. 9

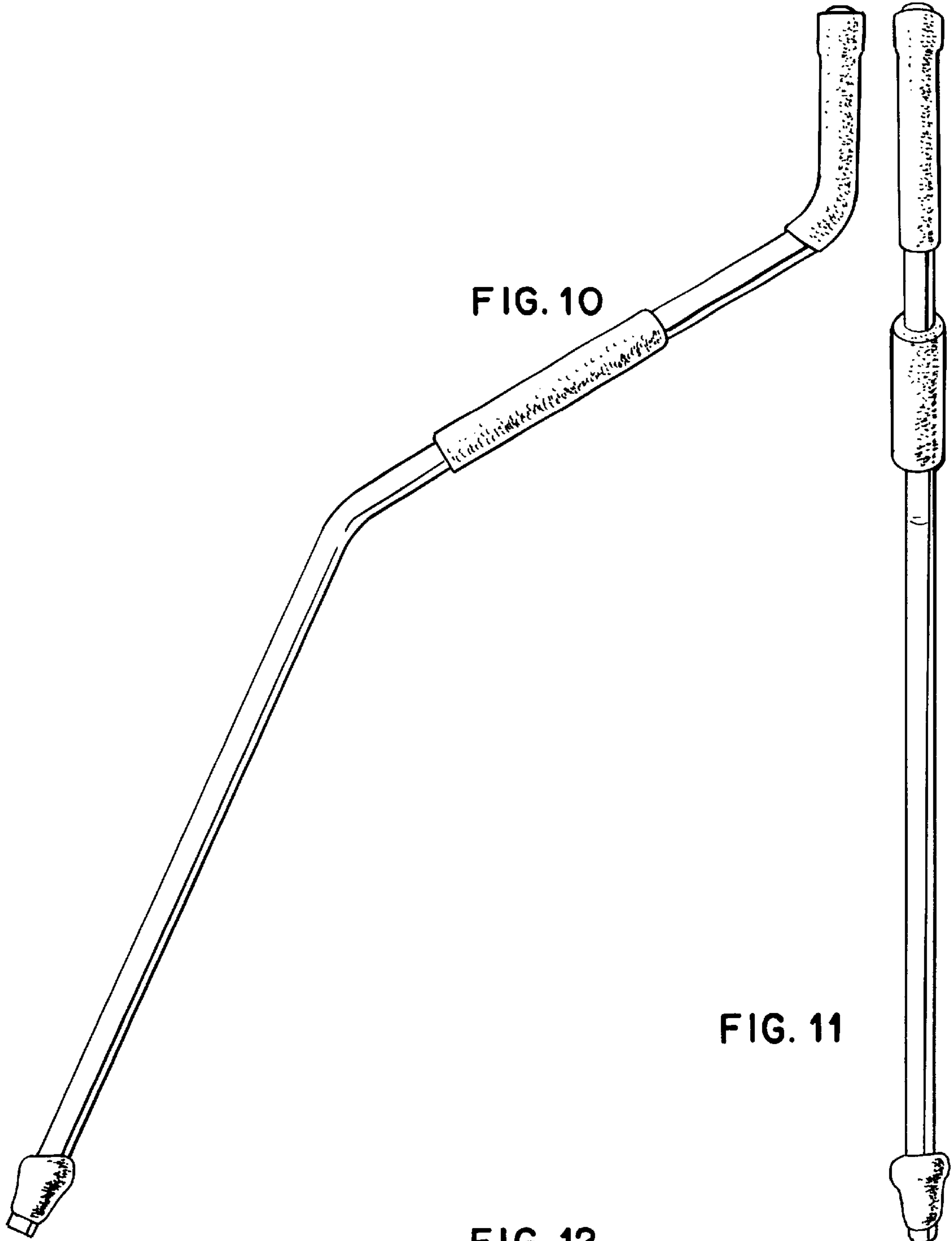


FIG. 10

FIG. 11

FIG. 12

