



US00D458720S

(12) **United States Design Patent**  
**Brackett et al.**

(10) **Patent No.:** **US D458,720 S**  
(45) **Date of Patent:** **\*\* Jun. 11, 2002**

(54) **PAINT BRUSH CLEANING DEVICE**

(75) Inventors: **Ted J. Brackett**, Manhattan Beach; **C. Martin Smith**, Los Angeles; **Mark Anderson**, Woodland Hills, all of CA (US)

(73) Assignee: **Dynamic Cleaning Technologies LLC**, Los Angeles, CA (US)

(\*\*) Term: **14 Years**

(21) Appl. No.: **29/131,742**

(22) Filed: **Oct. 26, 2000**

(51) **LOC (7) Cl.** ..... **08-99**

(52) **U.S. Cl.** ..... **D32/35**

(58) **Field of Search** ..... D32/35, 53.1; 15/236.01, 236.03, 38, 76, 104.92, 142, 257.05; 206/209

(56) **References Cited**

**U.S. PATENT DOCUMENTS**

3,393,412 A \* 7/1968 Wrbican ..... 206/209

3,918,582 A \* 11/1975 Wallace ..... 206/209  
3,955,670 A \* 5/1976 Buslik ..... 206/209  
4,771,501 A \* 9/1988 Leiter ..... 15/104.92  
D303,857 S \* 10/1989 Hieronymus ..... D32/35

\* cited by examiner

*Primary Examiner*—Jennifer Rivard

(74) *Attorney, Agent, or Firm*—Cislo & Thomas LLP

(57) **CLAIM**

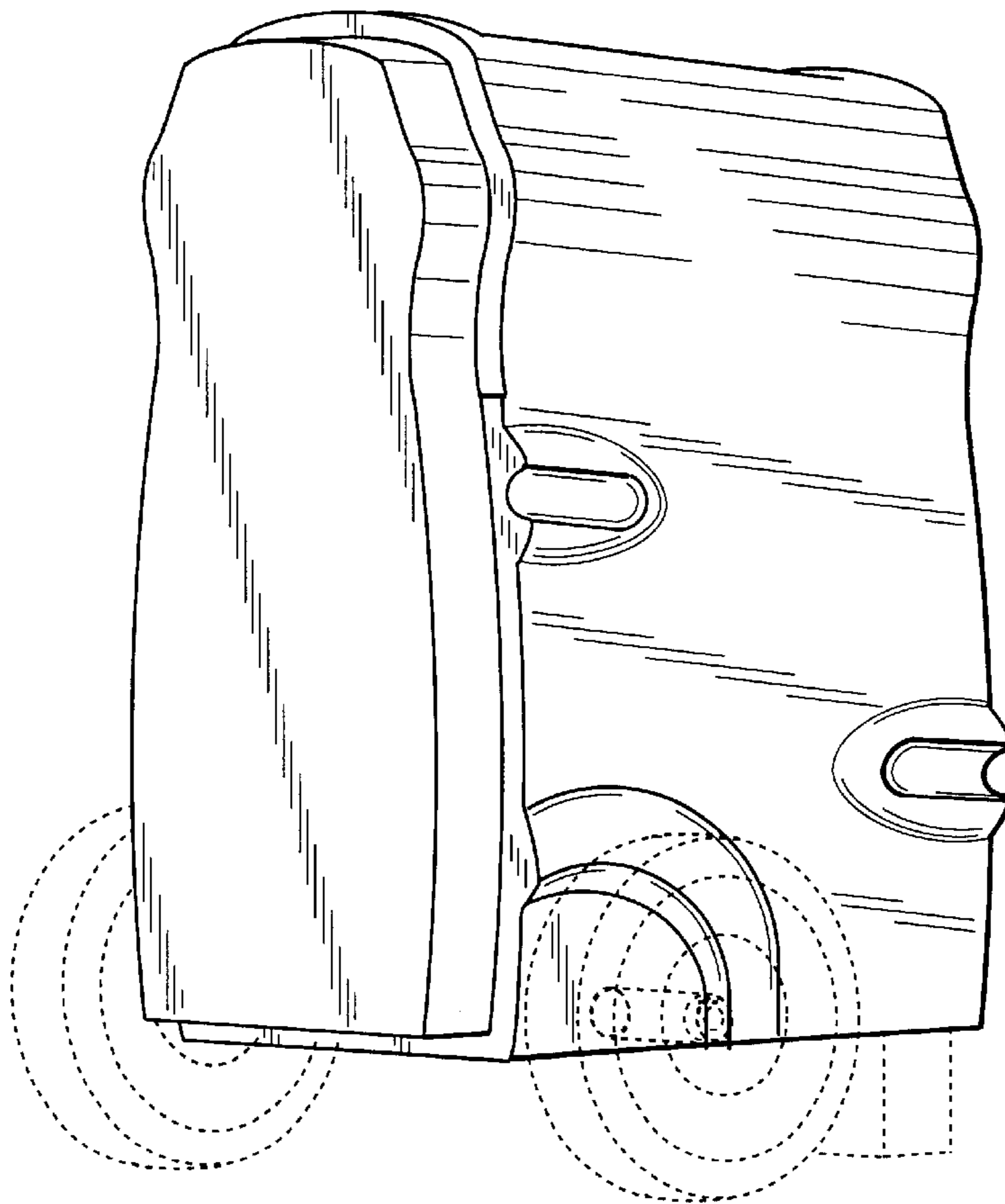
I claim the ornamental design for paint brush cleaning device, as shown and described.

**DESCRIPTION**

FIG. 1. is a perspective view of paint brush cleaning device; FIG. 2. is a front view thereof; FIG. 3. is a rear view thereof; FIG. 4. is a left side view thereof; FIG. 5. is a right side view thereof; and, FIG. 6. is a top view thereof.

The broken lines shown in the above-referenced drawings are for illustrative purposes only, illustrating an environment of the invention.

**1 Claim, 3 Drawing Sheets**



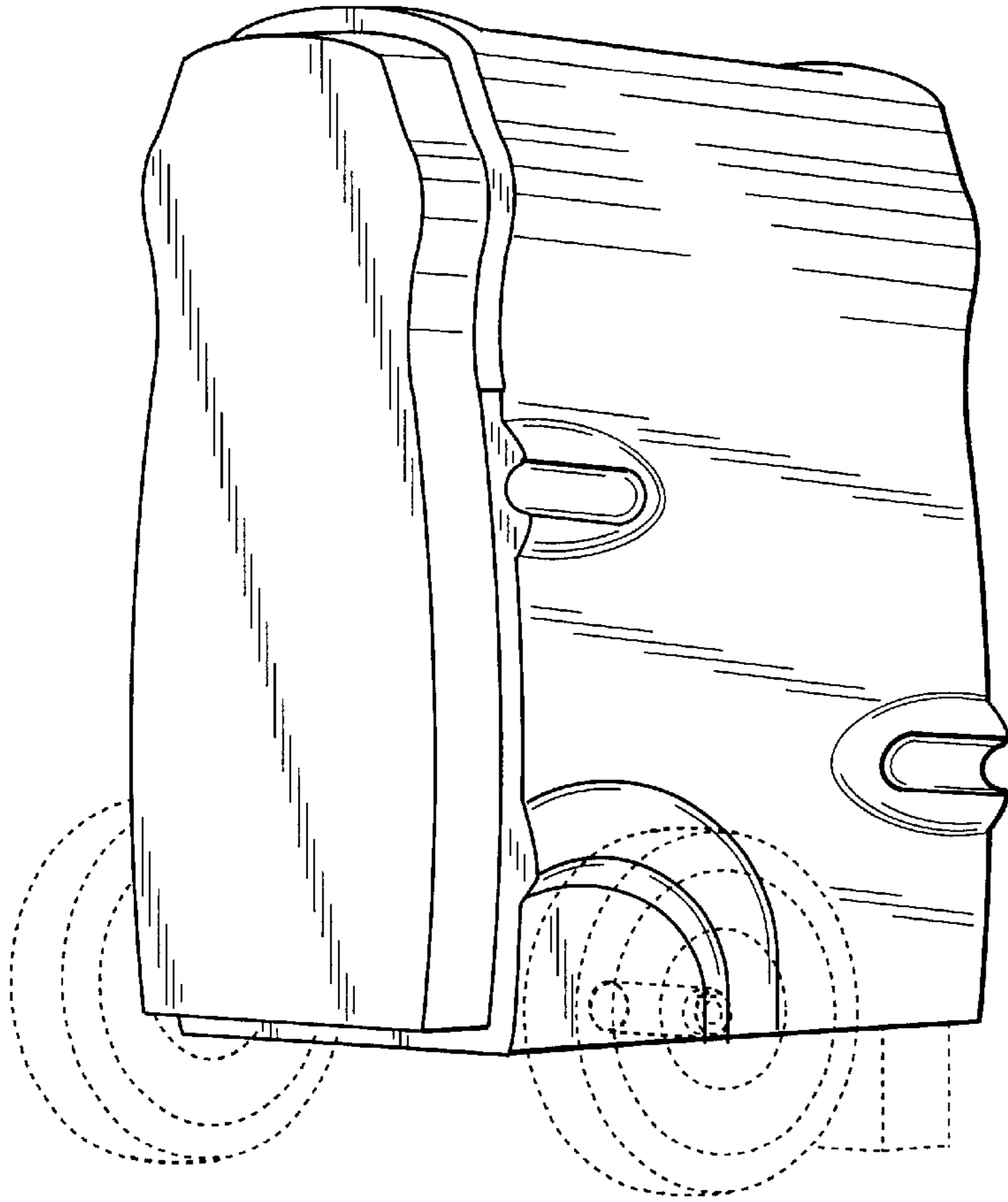


FIG. 1

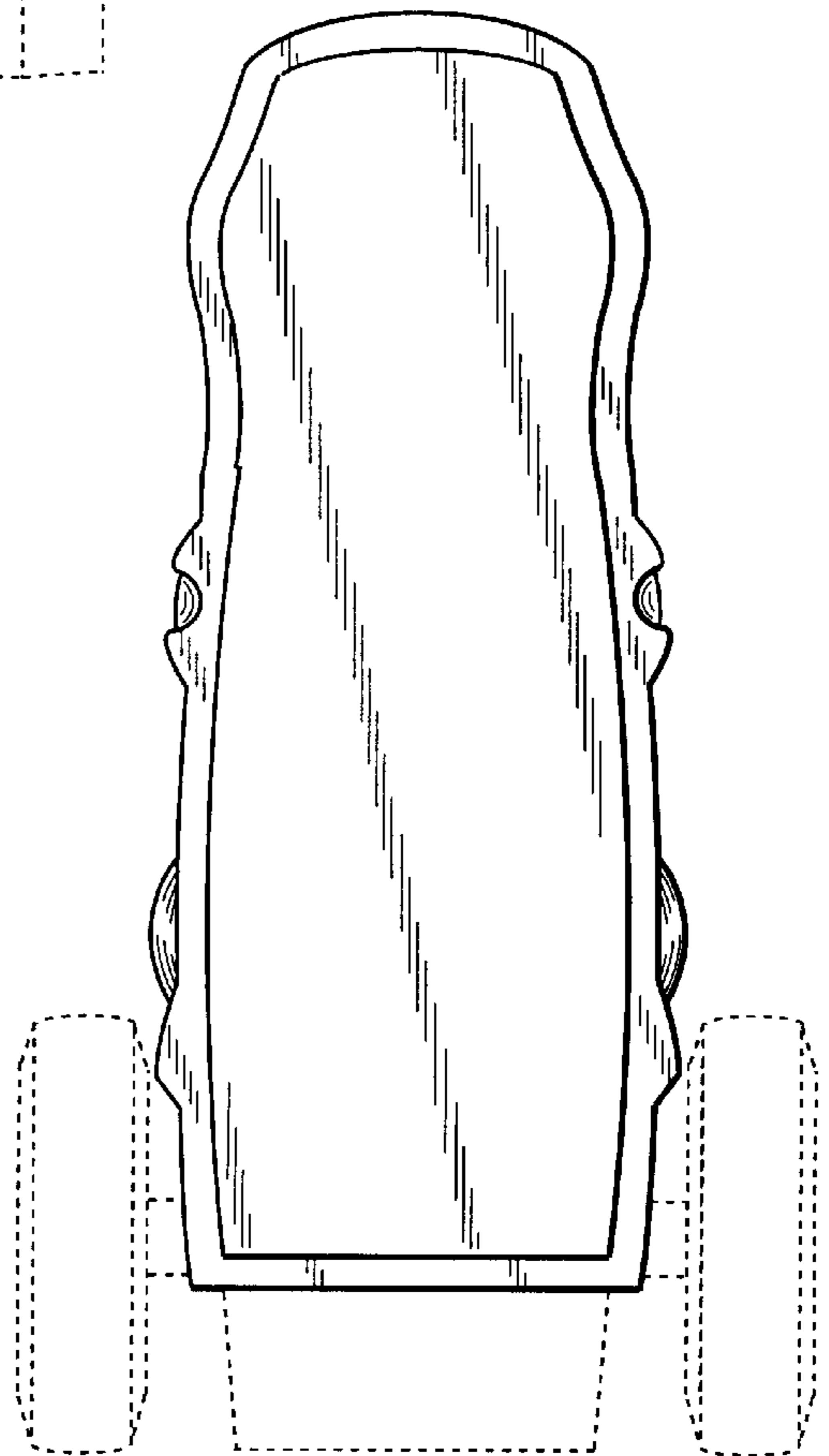


FIG. 2

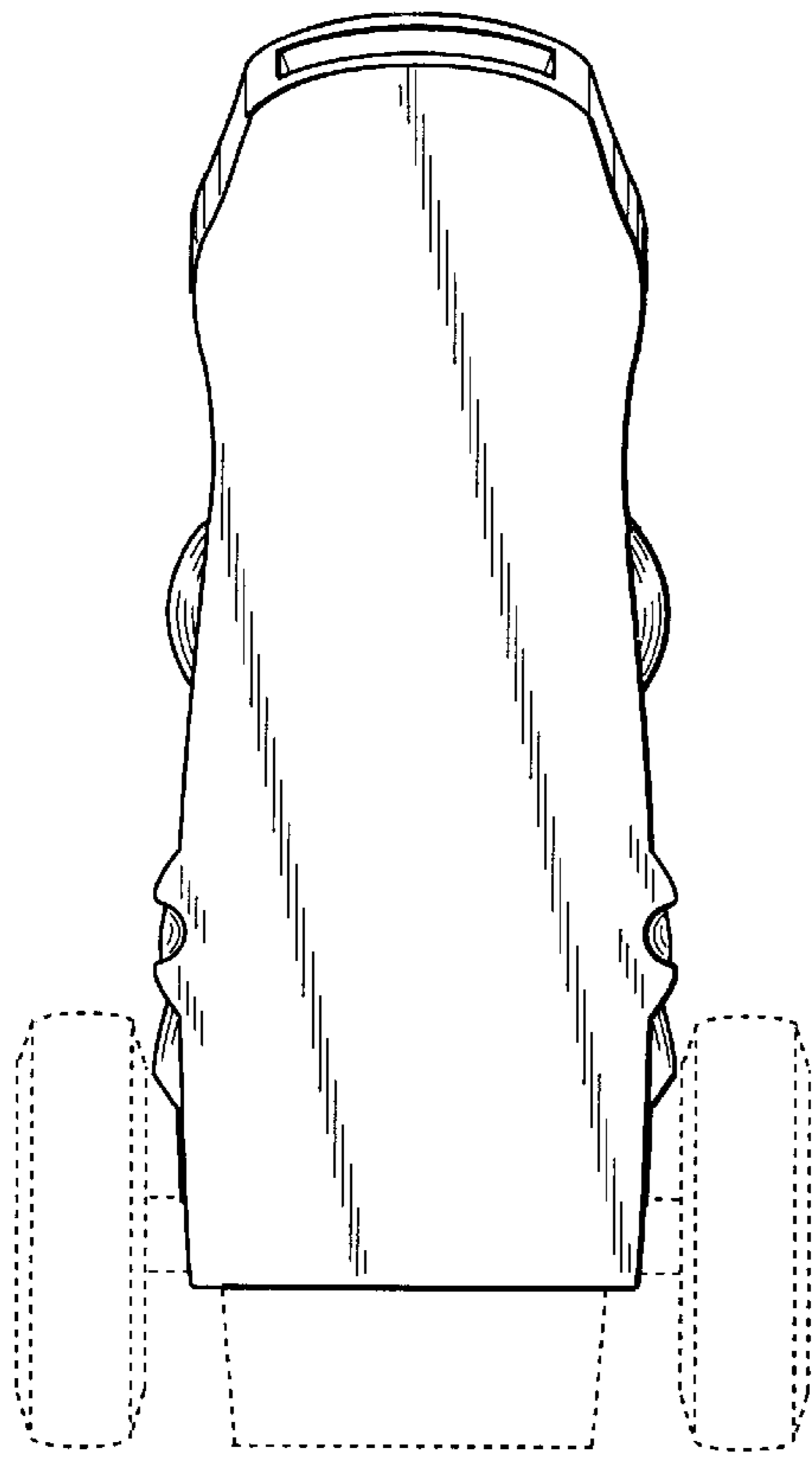


FIG. 3

FIG. 4

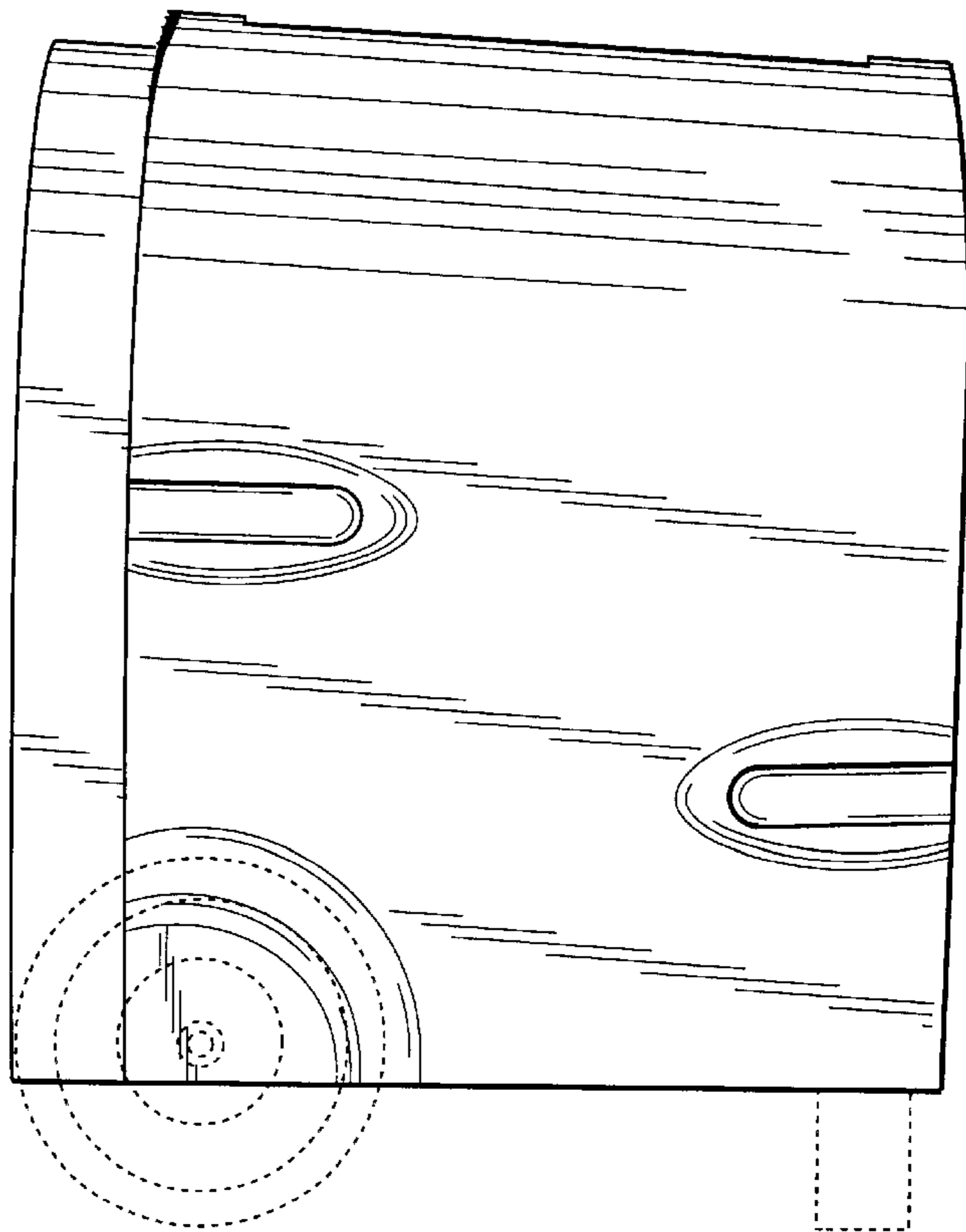


FIG. 5

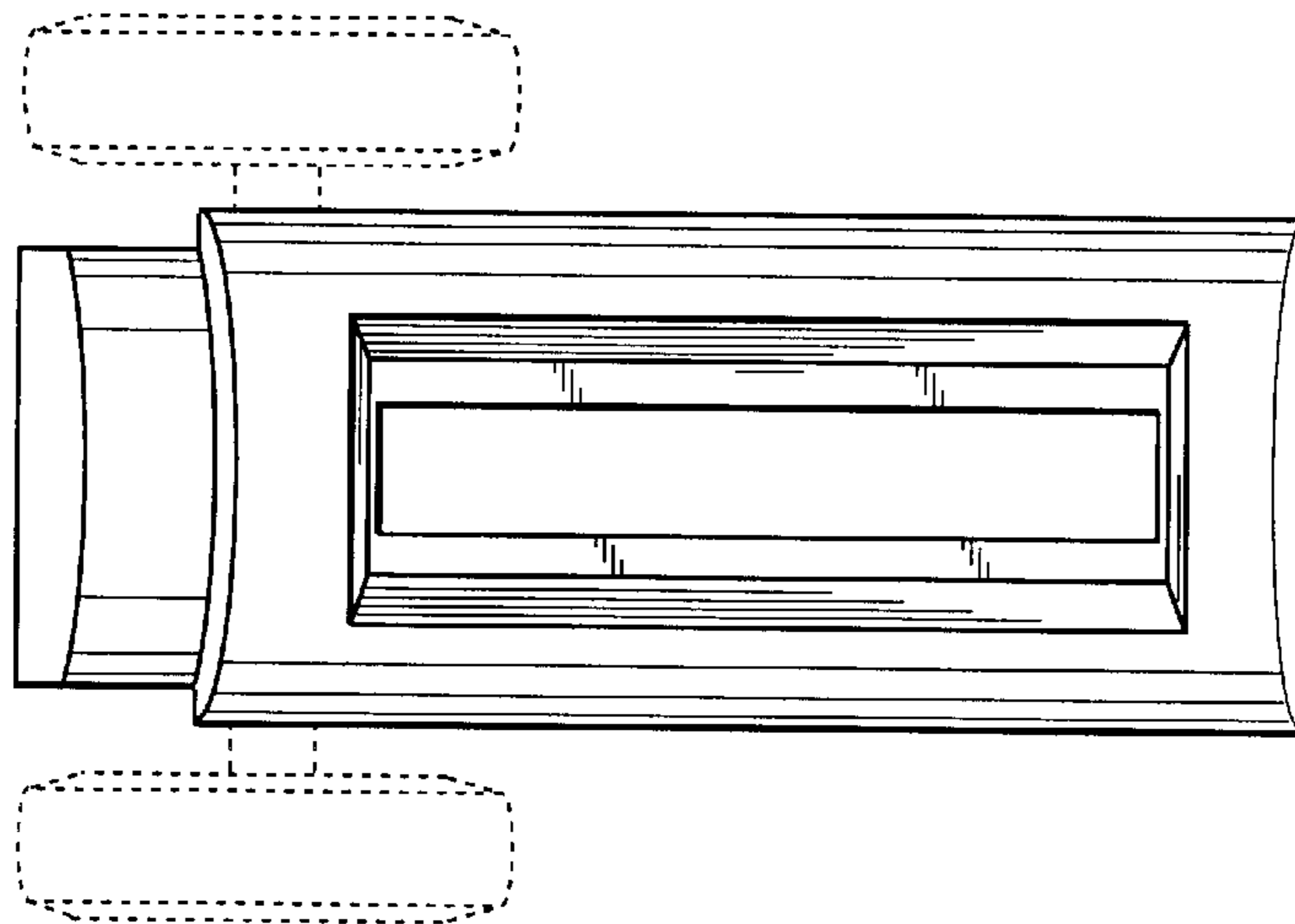
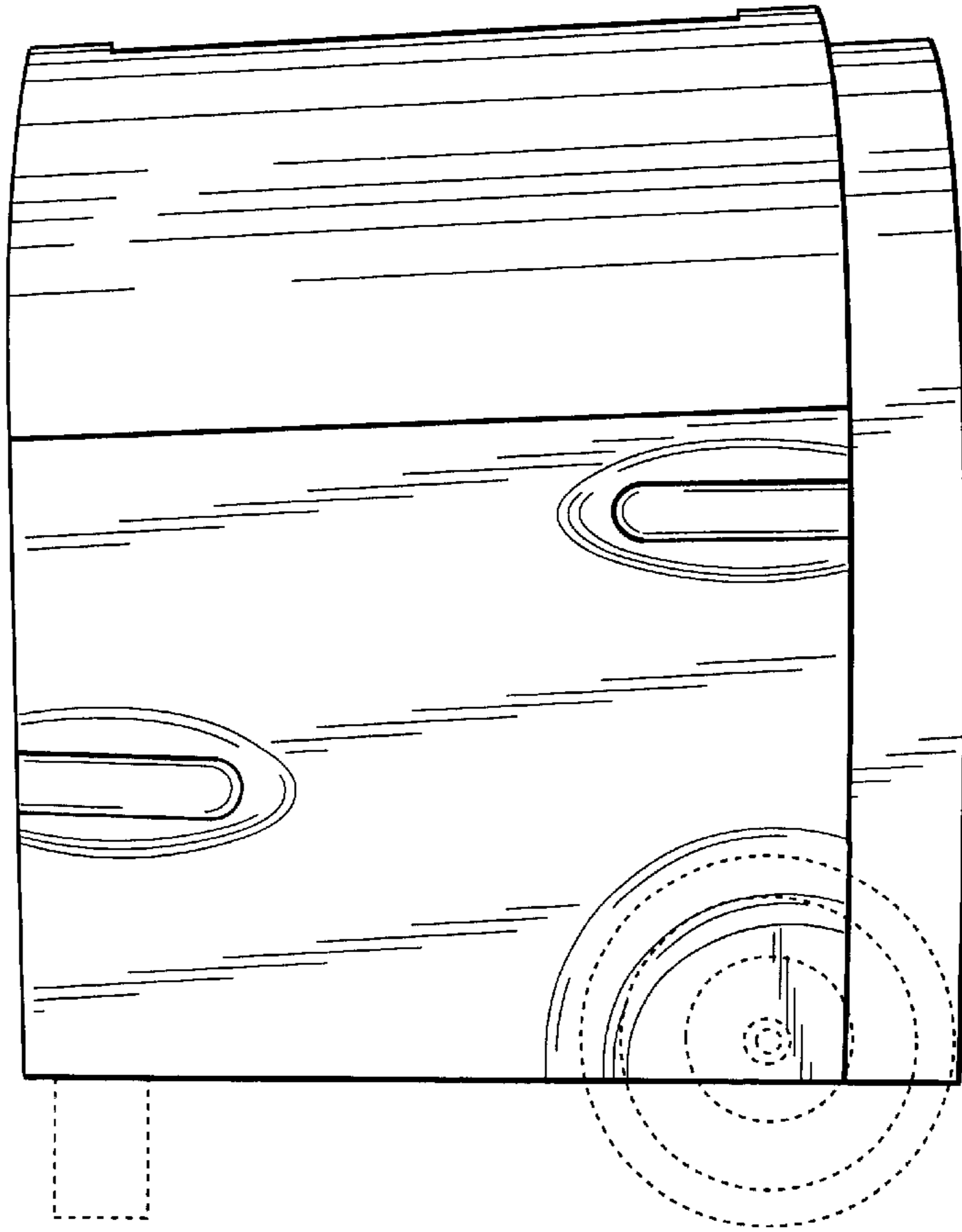


FIG. 6