



US00D458713S

(12) **United States Design Patent**  
**Cheng**

(10) **Patent No.:** **US D458,713 S**

(45) **Date of Patent:** **\*\* Jun. 11, 2002**

(54) **SAFETY VISOR**

(75) **Inventor:** **Chen-San Cheng**, Taipei (TW)

(73) **Assignee:** **Polison Corporation**, Kaohsiung (TW)

(\*\*) **Term:** **14 Years**

(21) **Appl. No.:** **29/146,458**

(22) **Filed:** **Aug. 10, 2001**

(51) **LOC (7) Cl.** ..... **29-02**

(52) **U.S. Cl.** ..... **D29/110**

(58) **Field of Search** ..... D29/102-112,  
D29/122; 2/422-425, 9, 410-412, 414,  
416, 417, 171.3, 209, 455, 174, 7-8; D14/205,  
206, 223; 181/129-130; 128/857, 864,  
866, 867; D2/894; D28/41; D24/105, 106

(56) **References Cited**

**U.S. PATENT DOCUMENTS**

2,755,476	A	*	7/1956	Bowers, Sr.	.....	2/8
3,868,727	A	*	3/1975	Paschall	.....	2/8
4,856,109	A	*	8/1989	Desy et al.	.....	2/9
D306,363	S	*	2/1990	Stackhouse et al.	.....	D29/110
D320,478	S	*	10/1991	Metcalf	.....	D29/110

D349,362	S	*	8/1994	Russell	.....	D29/110
D361,160	S	*	8/1995	Russell	.....	D29/110
D375,583	S	*	11/1996	Landis et al.	.....	D29/108
5,732,410	A	*	3/1998	Machson	.....	2/9
D404,848	S	*	1/1999	Banuchi	.....	D29/110
6,016,808	A	*	1/2000	Landis	.....	128/857

\* cited by examiner

*Primary Examiner*—Ruth McInroy

(74) *Attorney, Agent, or Firm*—A & J

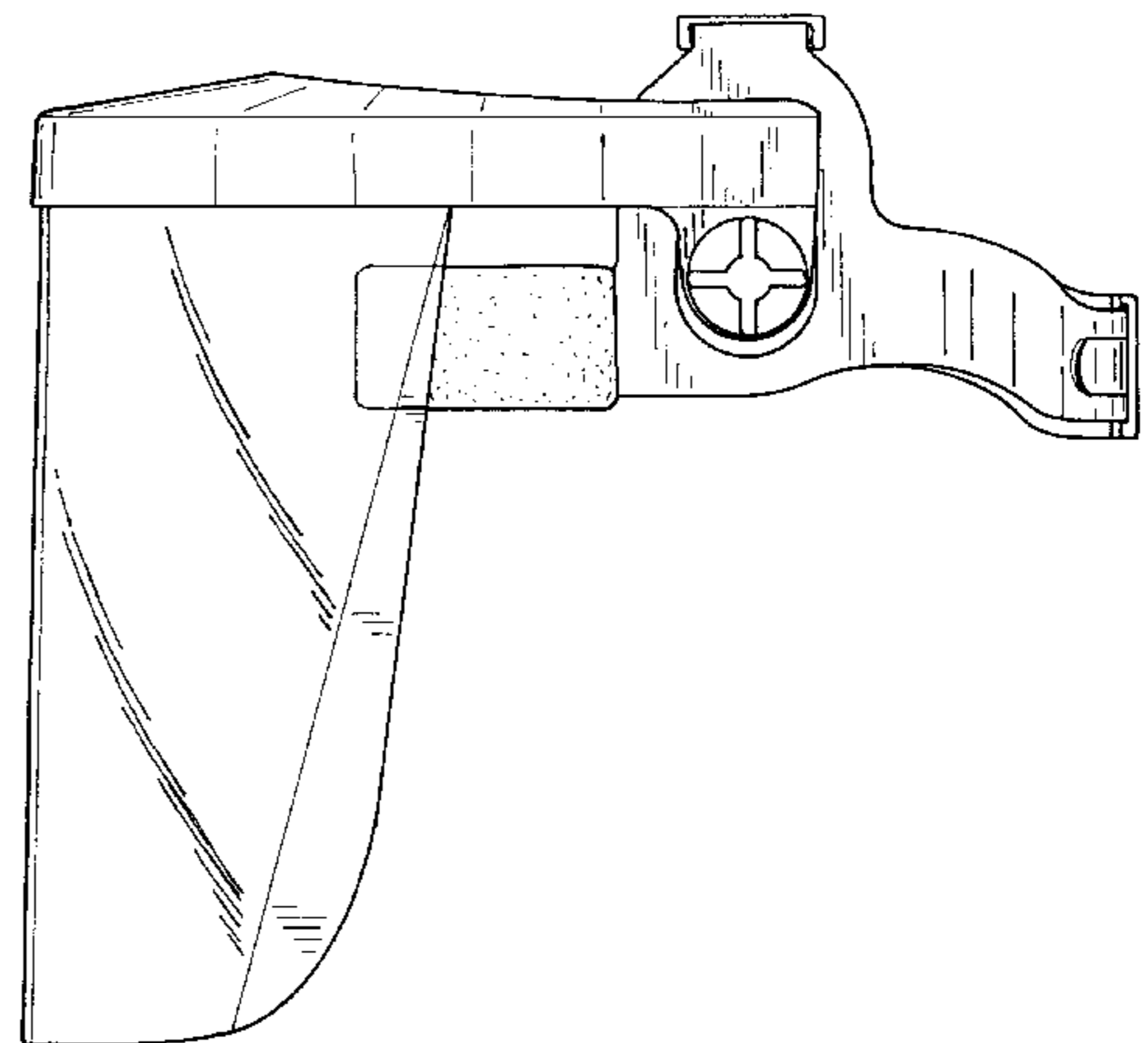
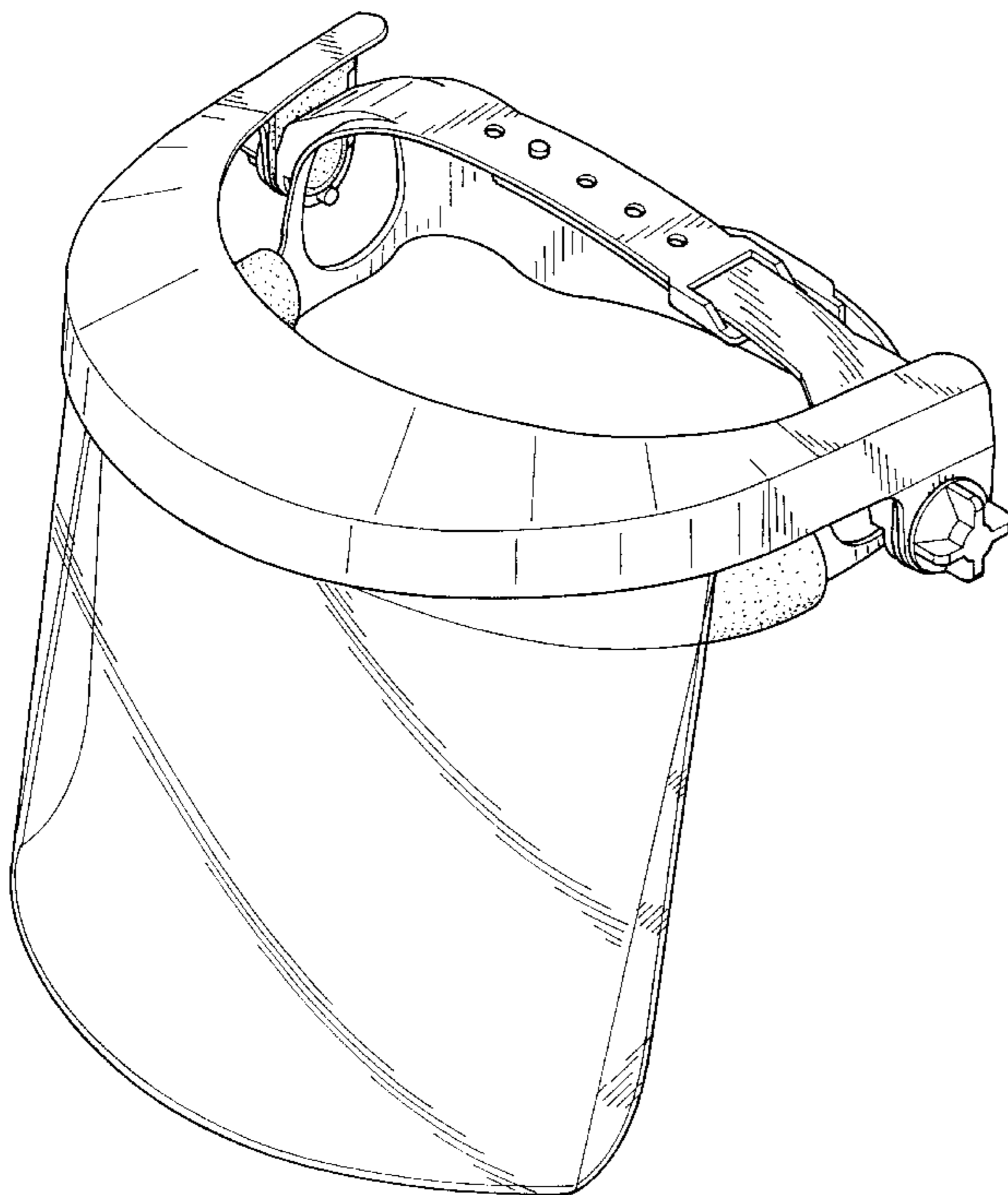
(57) **CLAIM**

The ornamental design for a safety visor, as shown and described.

**DESCRIPTION**

FIG. 1 is a perspective view of a safety visor showing my new design;  
FIG. 2 is a front elevation view thereof;  
FIG. 3 is a rear elevation view thereof;  
FIG. 4 is a left side elevation view thereof;  
FIG. 5 is a right side elevation view thereof;  
FIG. 6 is a top plan view thereof; and,  
FIG. 7 is a bottom plan view thereof.

**1 Claim, 7 Drawing Sheets**



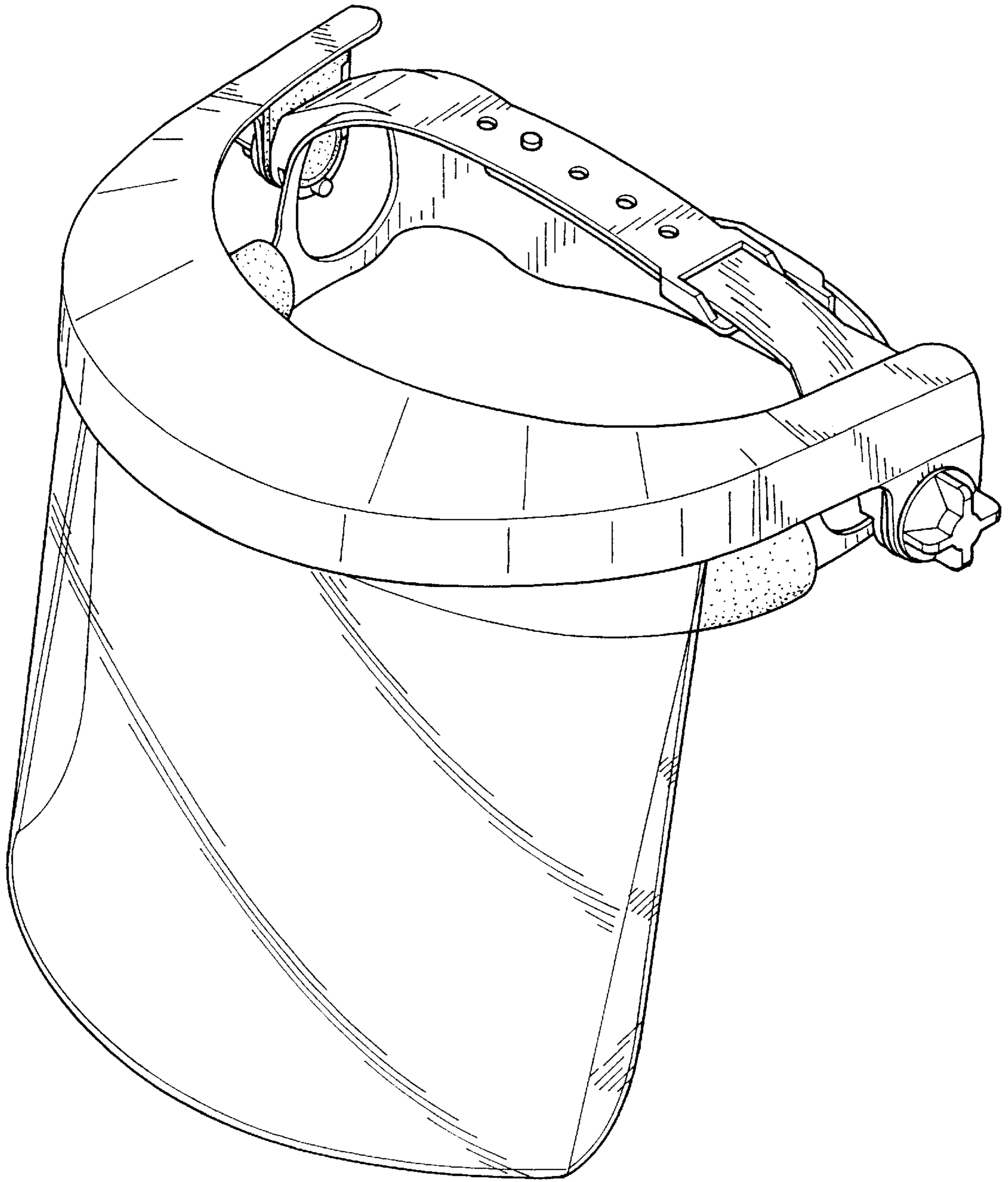
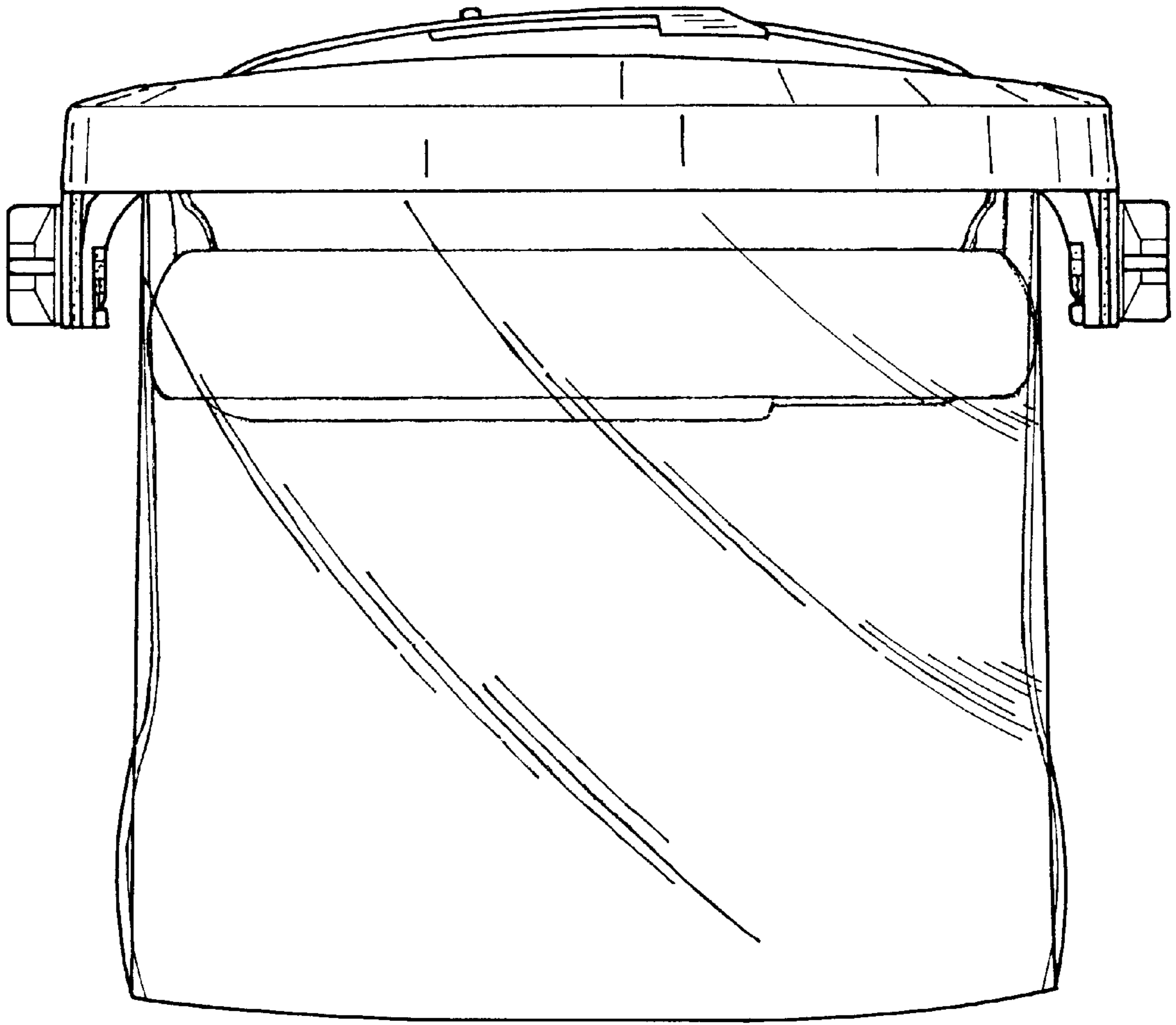


FIG. 1



**FIG. 2**

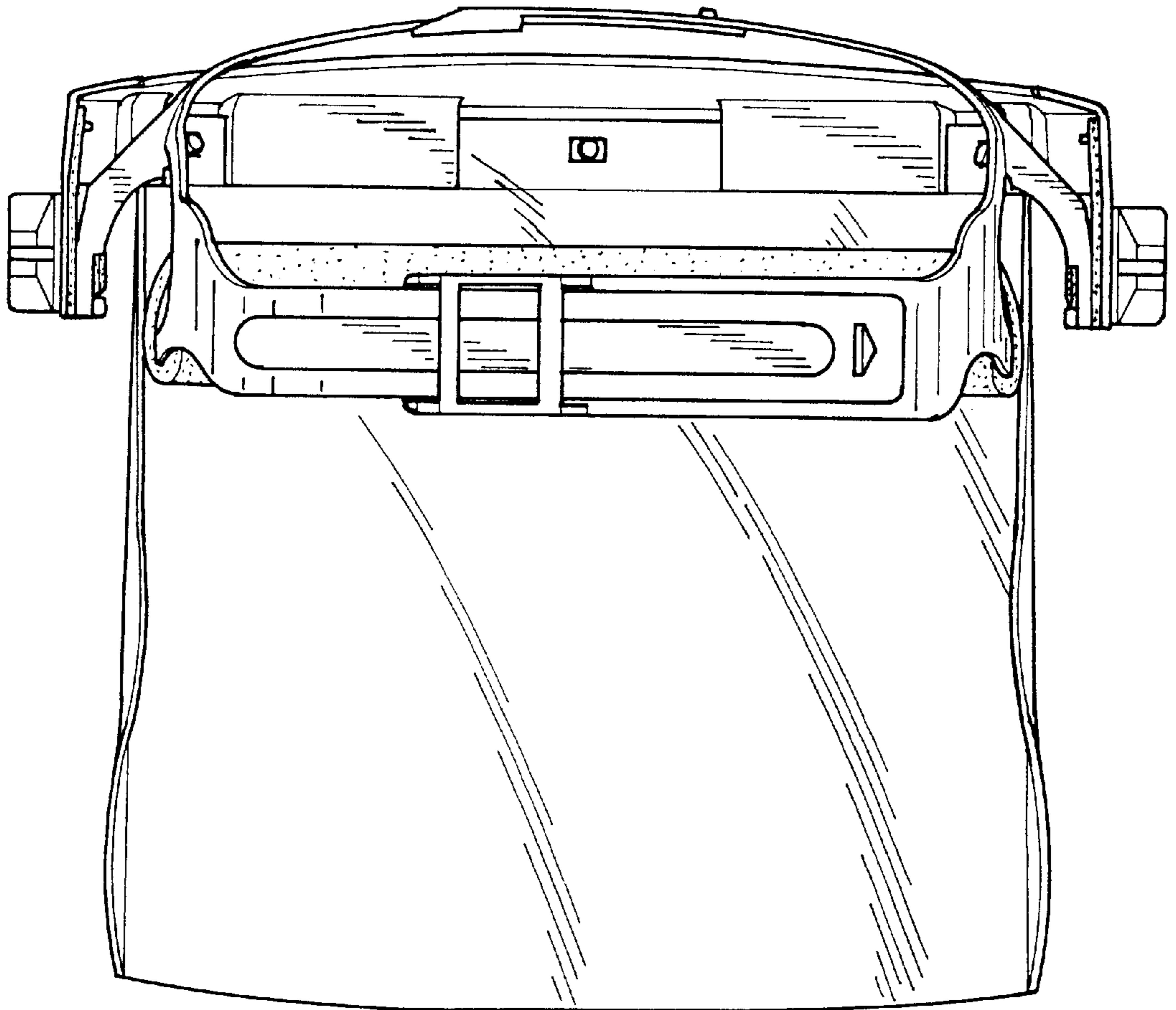


FIG. 3

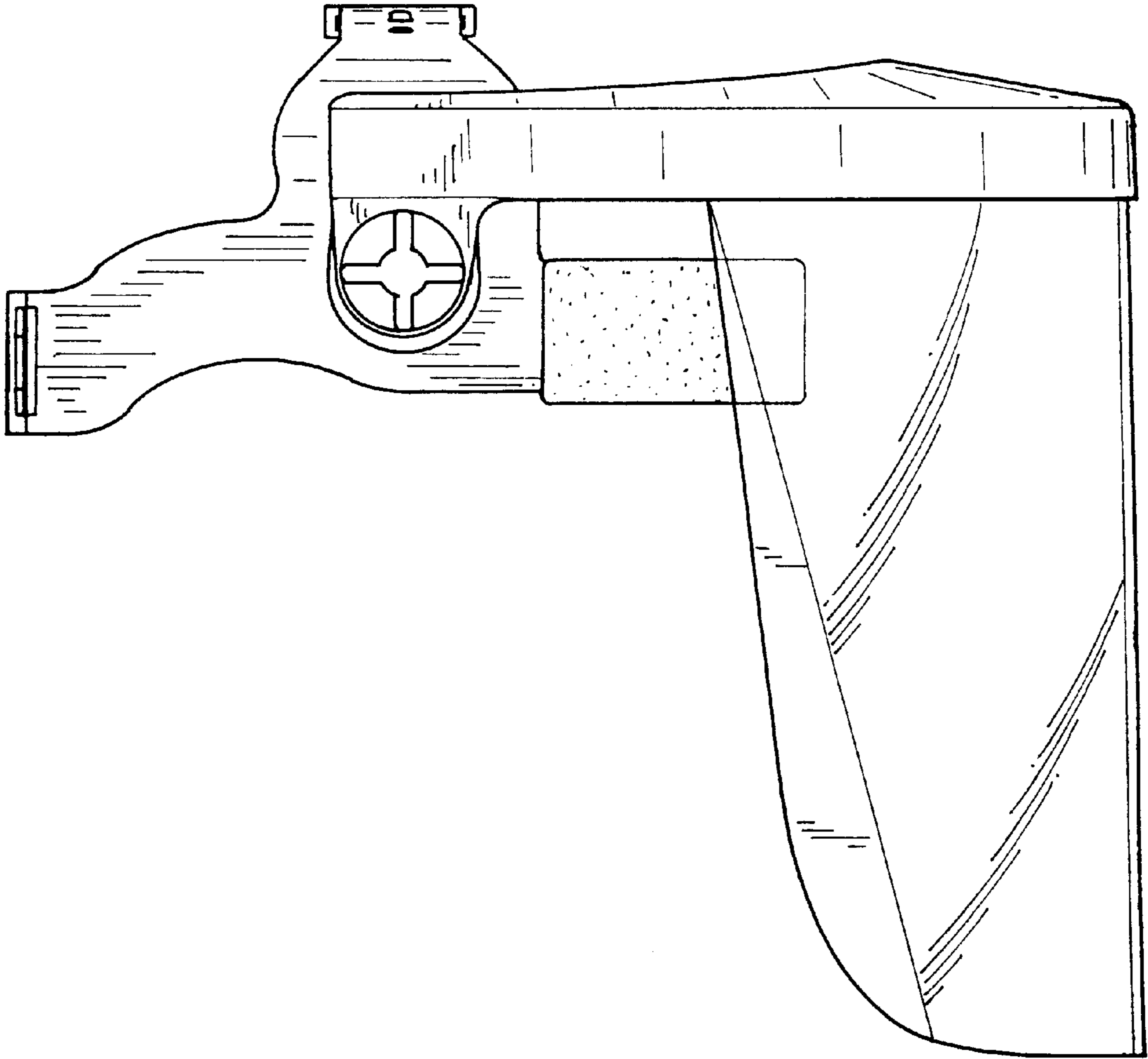
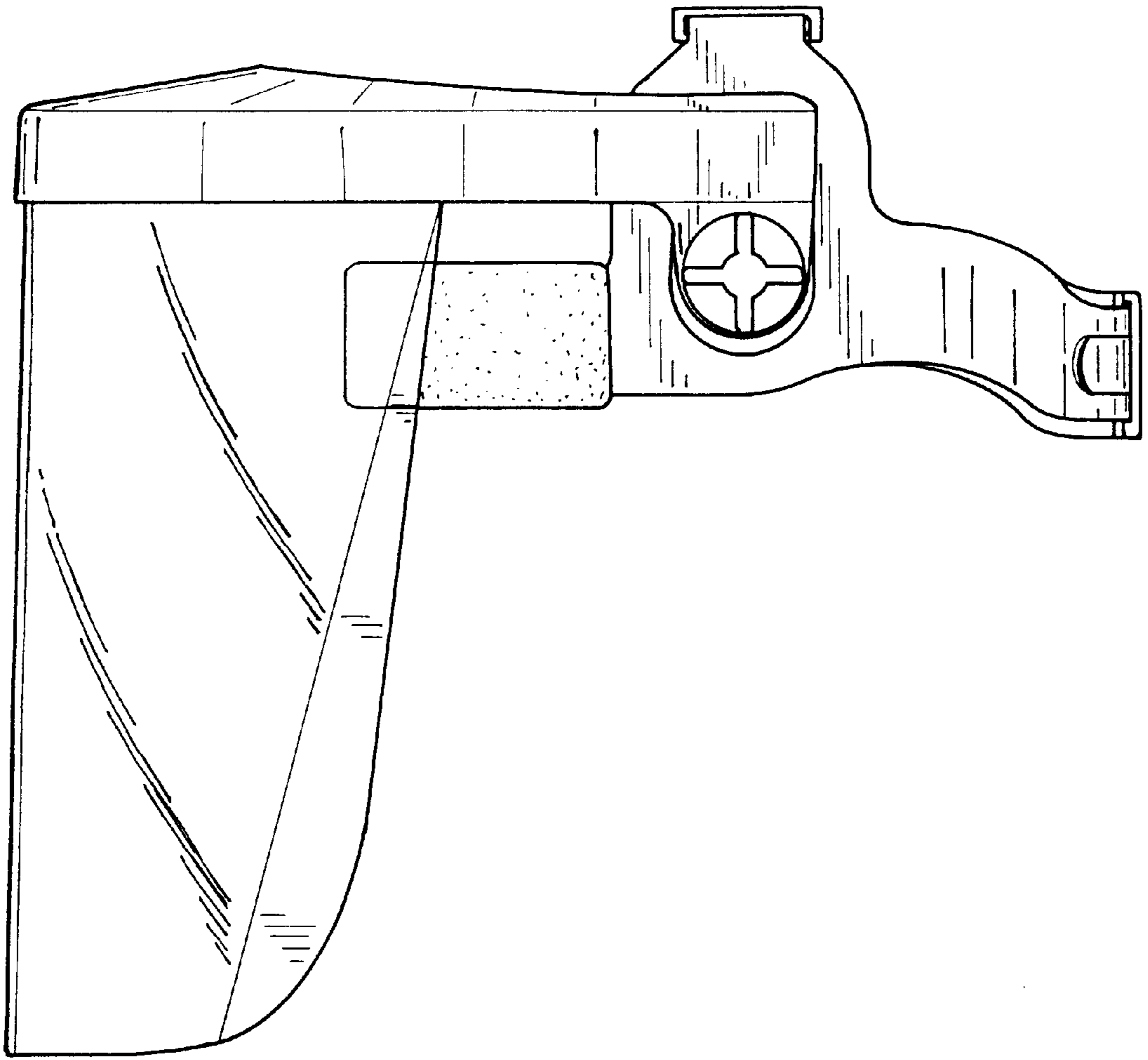
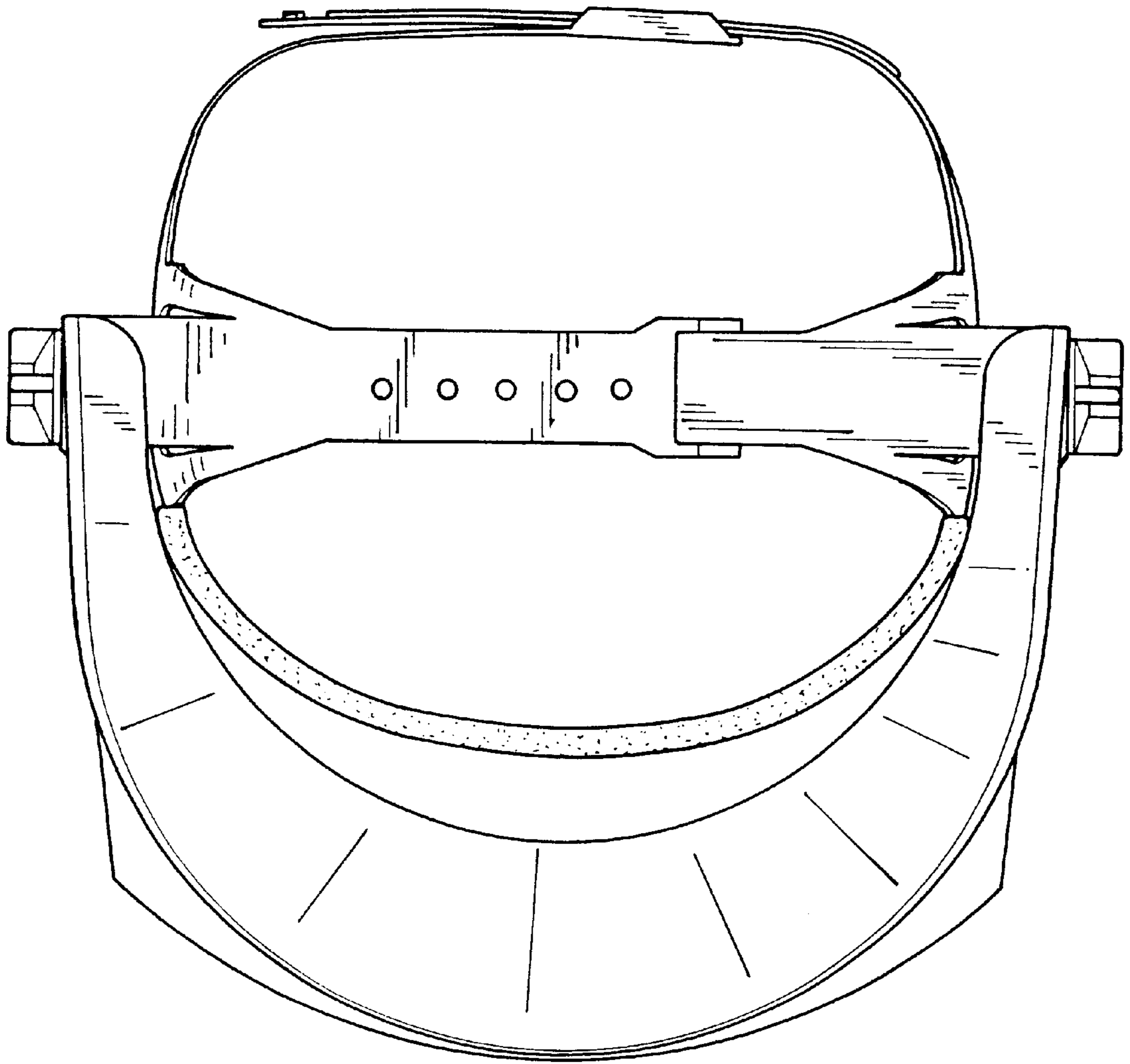


FIG. 4



**FIG. 5**



**FIG. 6**

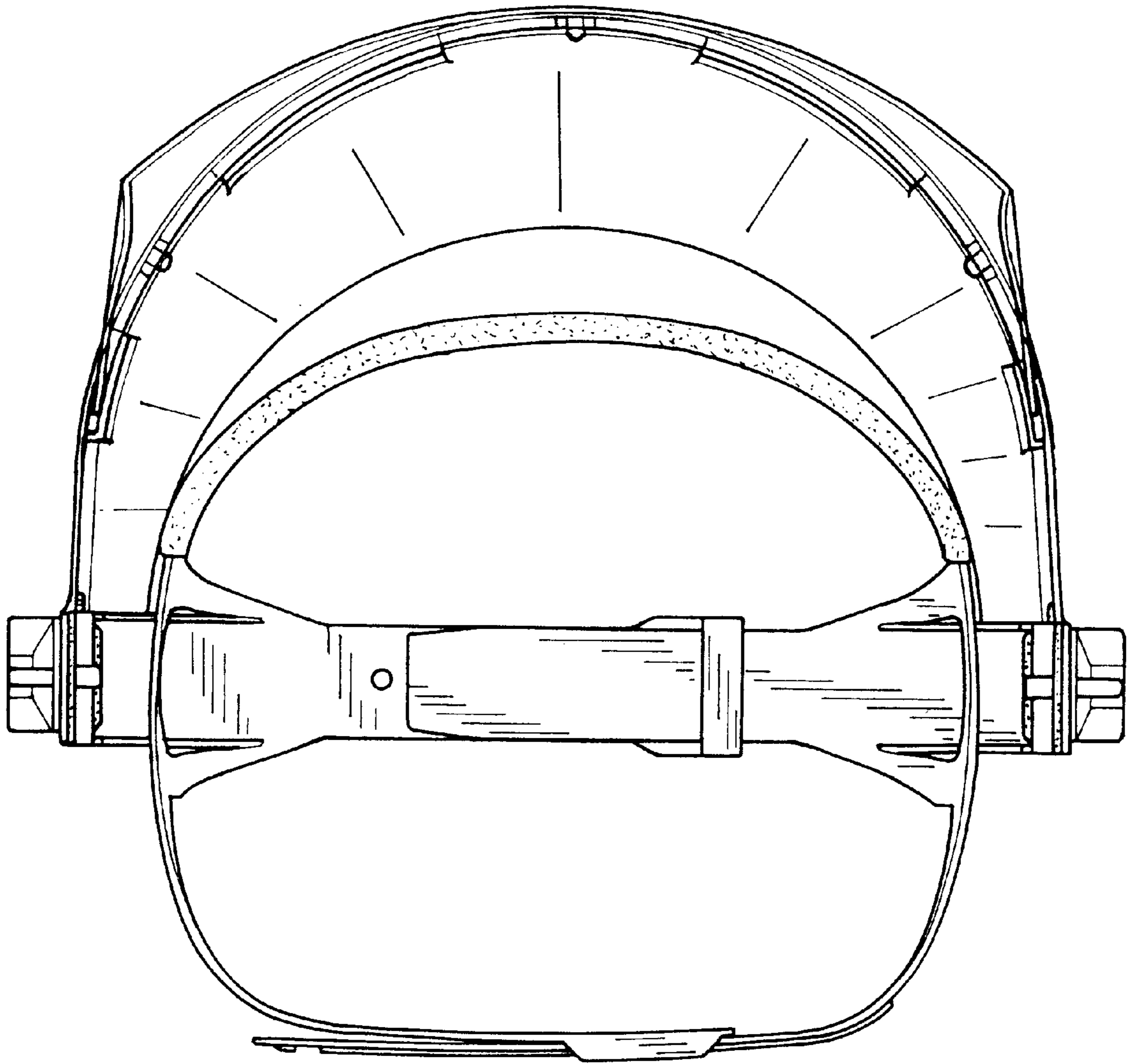


FIG. 7