



US00D458709S

(12) **United States Design Patent**  
**Wonderley**

(10) **Patent No.:** **US D458,709 S**

(45) **Date of Patent:** **\*\* \*Jun. 11, 2002**

(54) **MAN'S RAZOR**

D425,251 S \* 5/2000 Gray ..... D28/48  
D439,015 S \* 3/2001 Wonderley ..... D28/48

(75) Inventor: **Jeffrey W. Wonderley**, Ft. Defiance,  
VA (US)

\* cited by examiner

(73) Assignee: **American Safety Razor Company**,  
Verona, VA (US)

*Primary Examiner*—Ted Shooman

*Assistant Examiner*—C. Tuttle

(\* ) Notice: This patent is subject to a terminal dis-  
claimer.

(74) *Attorney, Agent, or Firm*—McDermott, Will & Emery

(\*\*) Term: **14 Years**

(57) **CLAIM**

The ornamental design for a man's razor, as shown and  
described.

(21) Appl. No.: **29/131,544**

**DESCRIPTION**

(22) Filed: **Oct. 25, 2000**

FIG. 1 is a perspective view of the man's razor design of the  
invention.

(51) **LOC (7) Cl.** ..... **28-03**

(52) **U.S. Cl.** ..... **D28/48**

FIG. 2 is a top view of the man's razor design shown in FIG.  
1.

(58) **Field of Search** ..... D28/44-48; 30/32,  
30/47-51, 526, 527, 532, 533

FIG. 3 is a bottom view of the man's razor design shown in  
FIG. 1.

(56) **References Cited**

**U.S. PATENT DOCUMENTS**

D229,249 S	*	11/1973	Castelli	.....	D28/48
D257,793 S	*	1/1981	Gray	.....	D28/48
D259,065 S	*	4/1981	Byrne	.....	D28/46
D260,303 S	*	8/1981	Wordtmann	.....	D28/46
D269,915 S	*	7/1983	Iten et al.	.....	D28/46
D366,728 S	*	1/1996	Ryu	.....	D28/48
D414,898 S	*	10/1999	Grange	.....	D28/48
D422,117 S	*	3/2000	Motta	.....	D28/48

FIG. 4 is a side view of the man's razor design shown in  
FIG. 1.

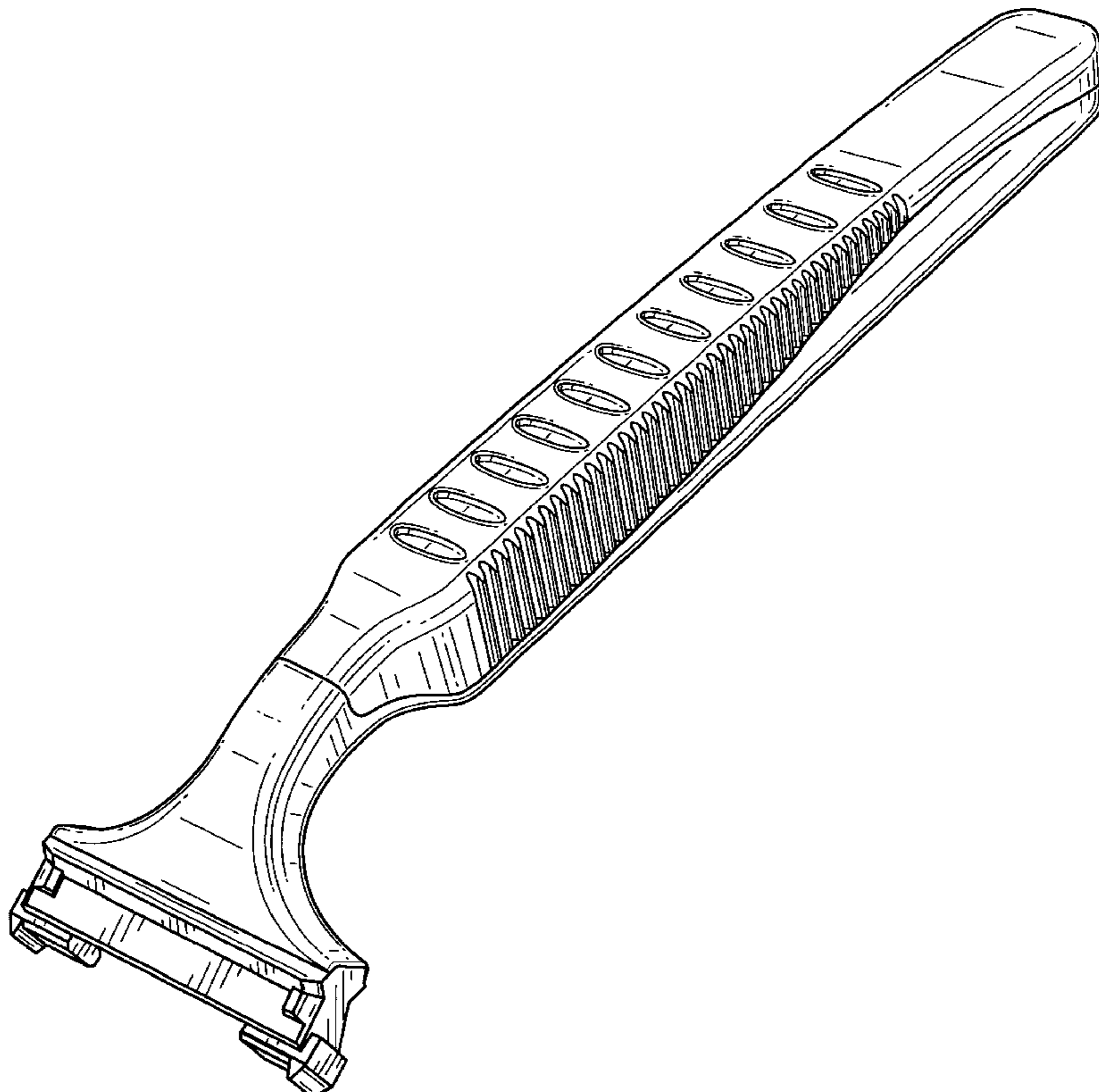
FIG. 5 is a front view of the man's razor design shown in  
FIG. 1; and,

FIG. 6 is a back view of the man's razor design shown in  
FIG. 1.

The broken line portions of the disclosure are for illustrative  
purposes only and form no part of the claimed design.

The unshaded areas of FIG. 3 form no part of the claimed  
design.

**1 Claim, 5 Drawing Sheets**



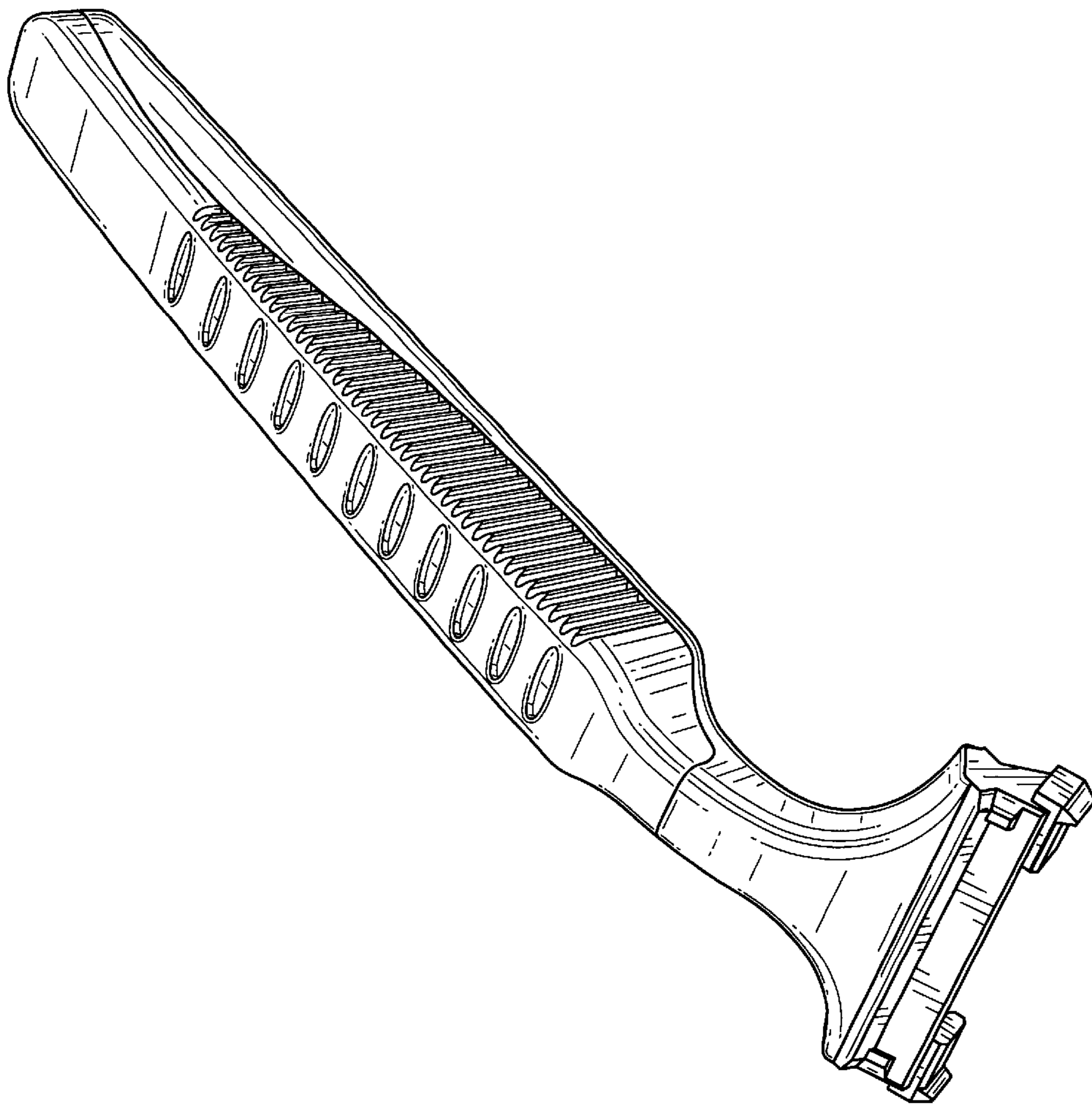


FIG. 1

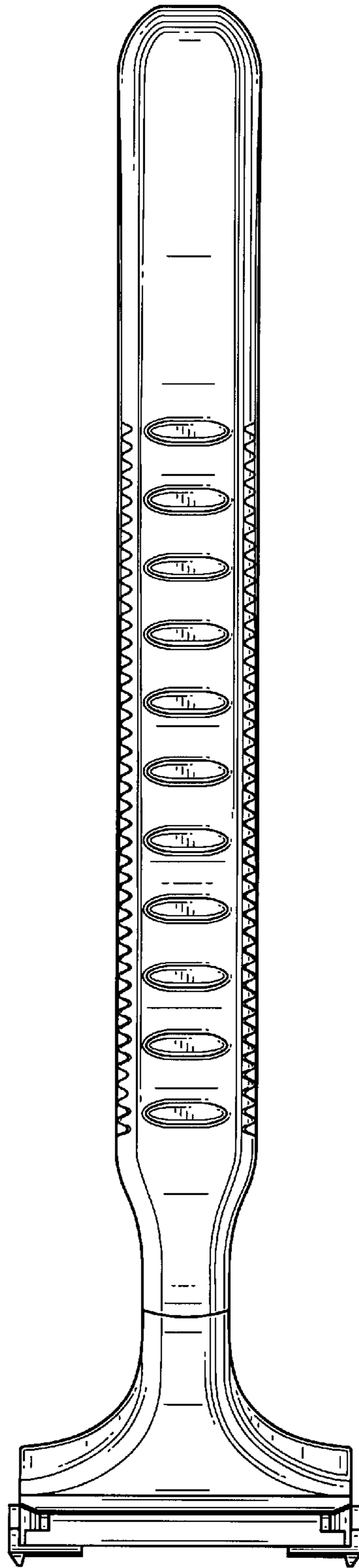


FIG. 2

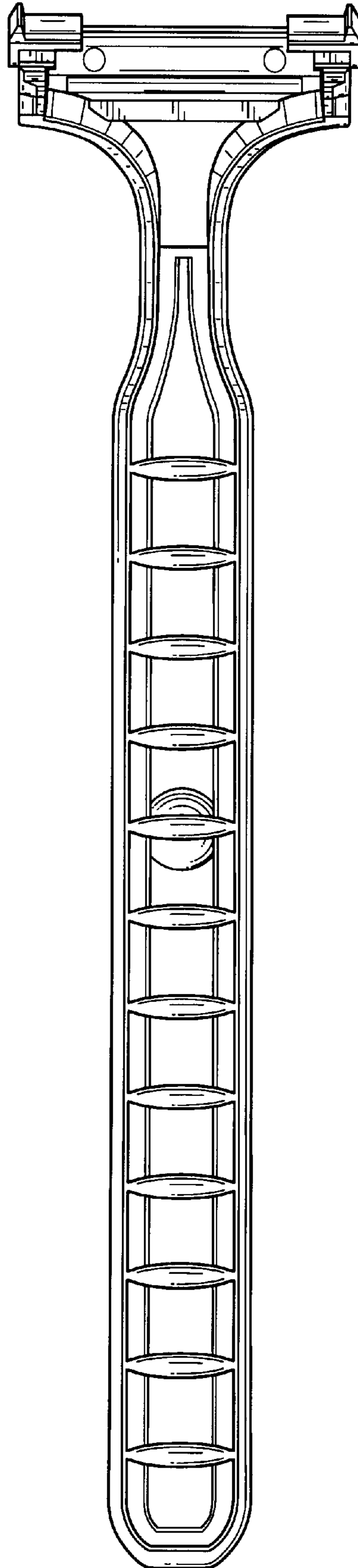


FIG. 3

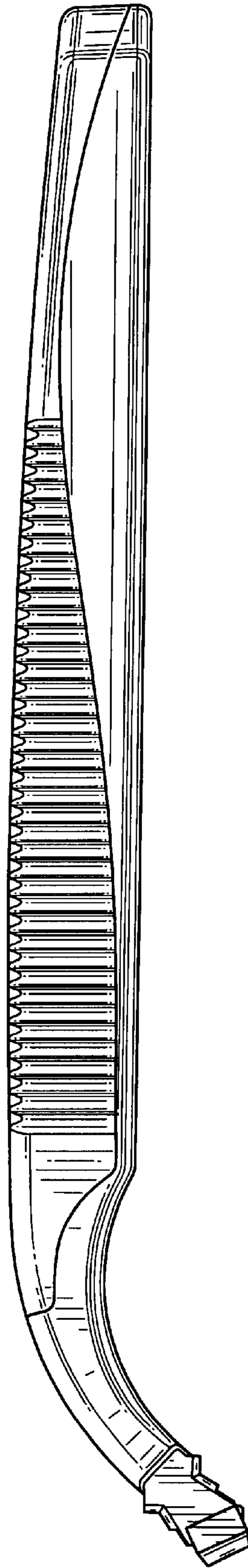


FIG. 4

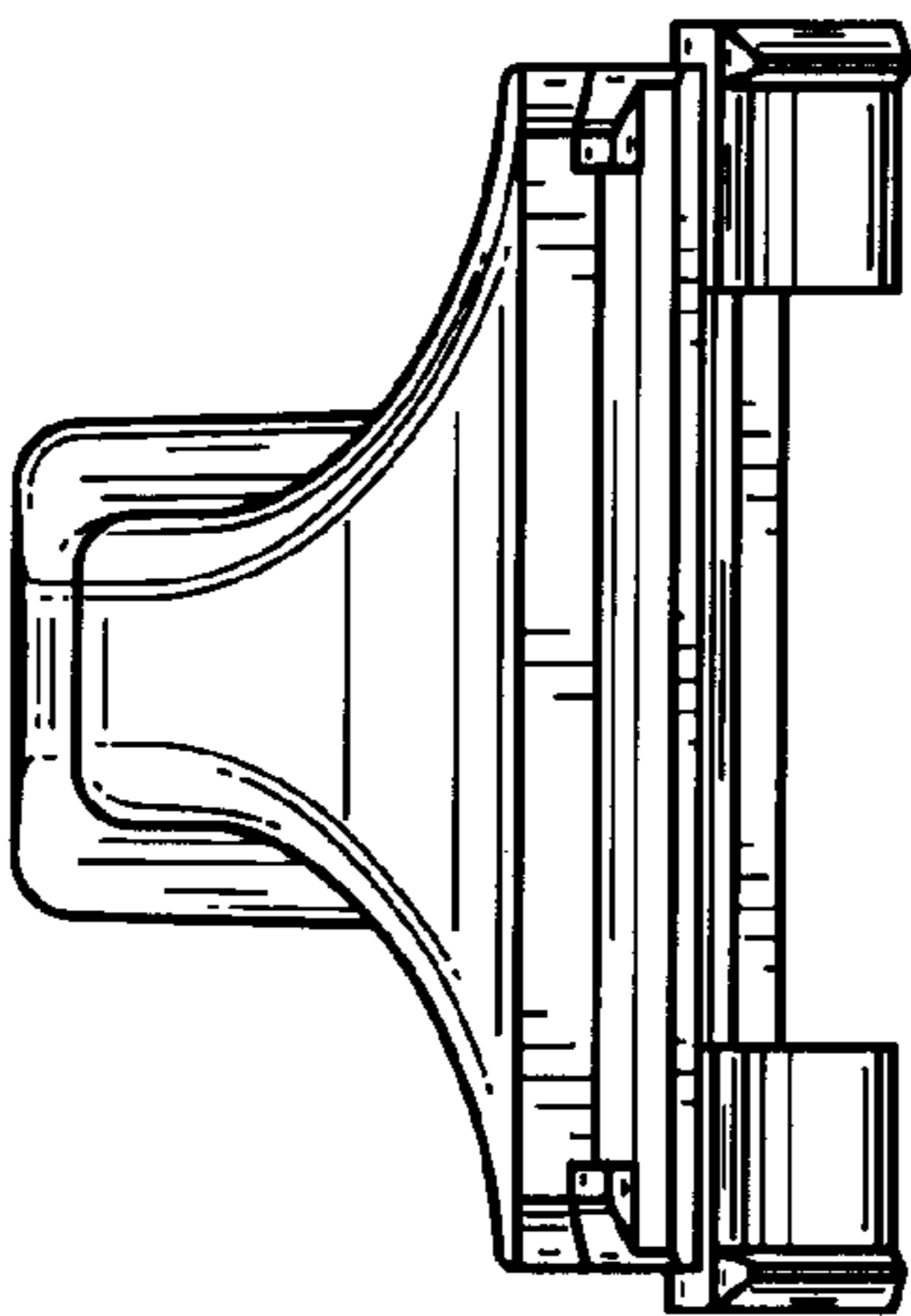


FIG. 5

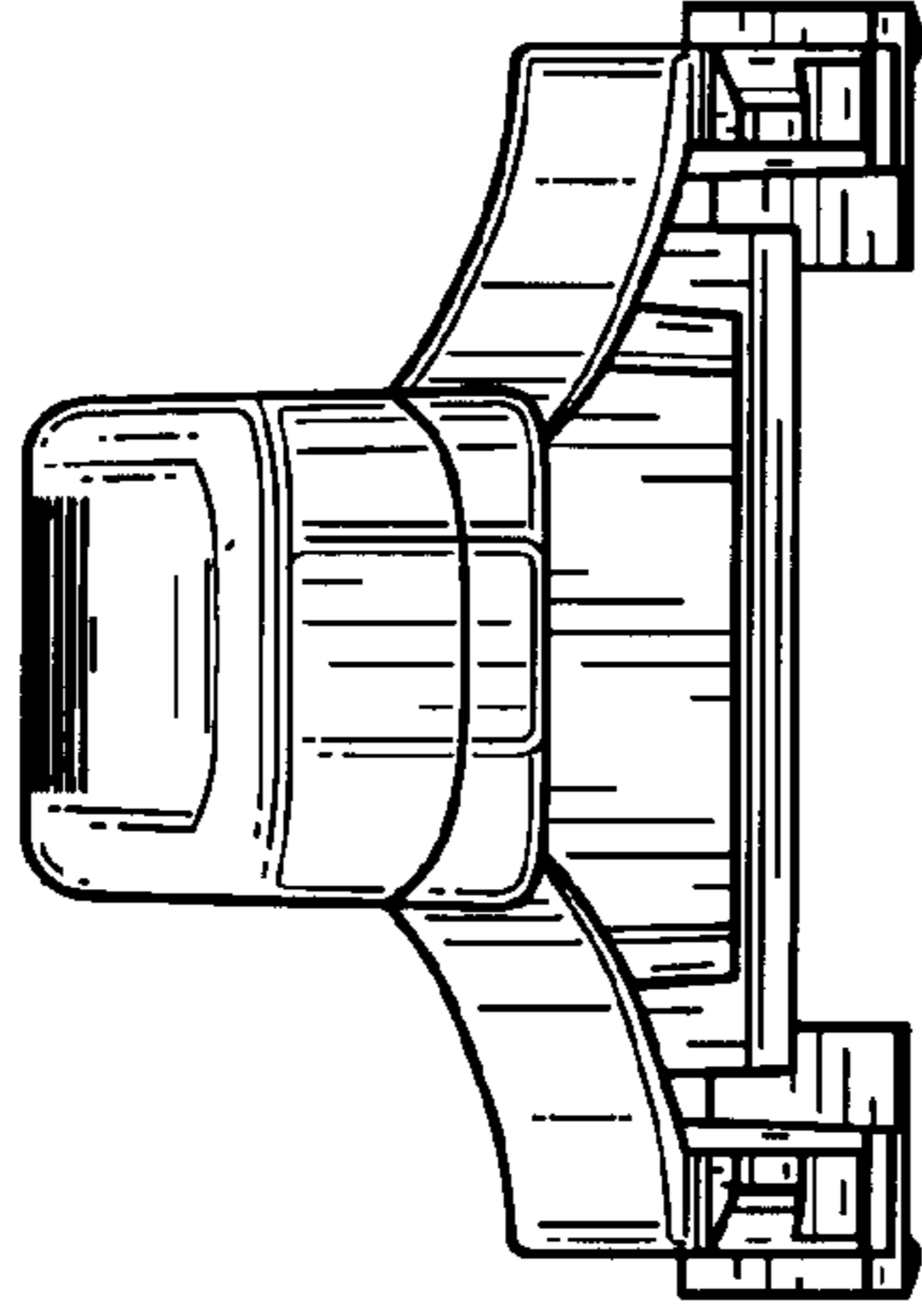


FIG. 6