



US00D458707S

(12) **United States Design Patent**
Najar et al.

(10) **Patent No.:** **US D458,707 S**

(45) **Date of Patent:** **** Jun. 11, 2002**

(54) **LIPSTICK STYLE PIPE**

D254,151 S * 2/1980 Wolff D27/142 X
D432,725 S * 10/2000 Gavin D28/85

(76) Inventors: **Rafat H. Najar; Yesser H. Alnajjar**,
both of 5842 Santa Teresa Blvd., San
Jose, CA (US) 95123

* cited by examiner

(*) Notice: This patent is subject to a terminal dis-
claimer.

Primary Examiner—Jennifer Rivard
(74) *Attorney, Agent, or Firm*—William W. Burns

(**) Term: **14 Years**

(57) **CLAIM**

The ornamental design for a lipstick style pipe, as shown and
described.

(21) Appl. No.: **29/132,930**

DESCRIPTION

(22) Filed: **Nov. 20, 2000**

(51) **LOC (7) Cl.** **27-02**

FIG. 1 is a perspective view of the lipstick style pipe shown
in an assembled state; the opposite perspective view being a
mirror image thereof.

(52) **U.S. Cl.** **D27/165; D28/85**

(58) **Field of Search** D27/163–169,
D27/142; D28/85; 131/329, 330, 178, 184.2,
193, 222, 225, 226, 227; 206/242, 266

FIG. 2 is a perspective exploded view of the lipstick style
pipe displaying the pipe and its case as the parts are related.

FIG. 3 is a bottom plan view of FIG. 2.

FIG. 4 is a left side elevation view of FIG. 2.

FIG. 5 is a top plan view of FIG. 2; and,

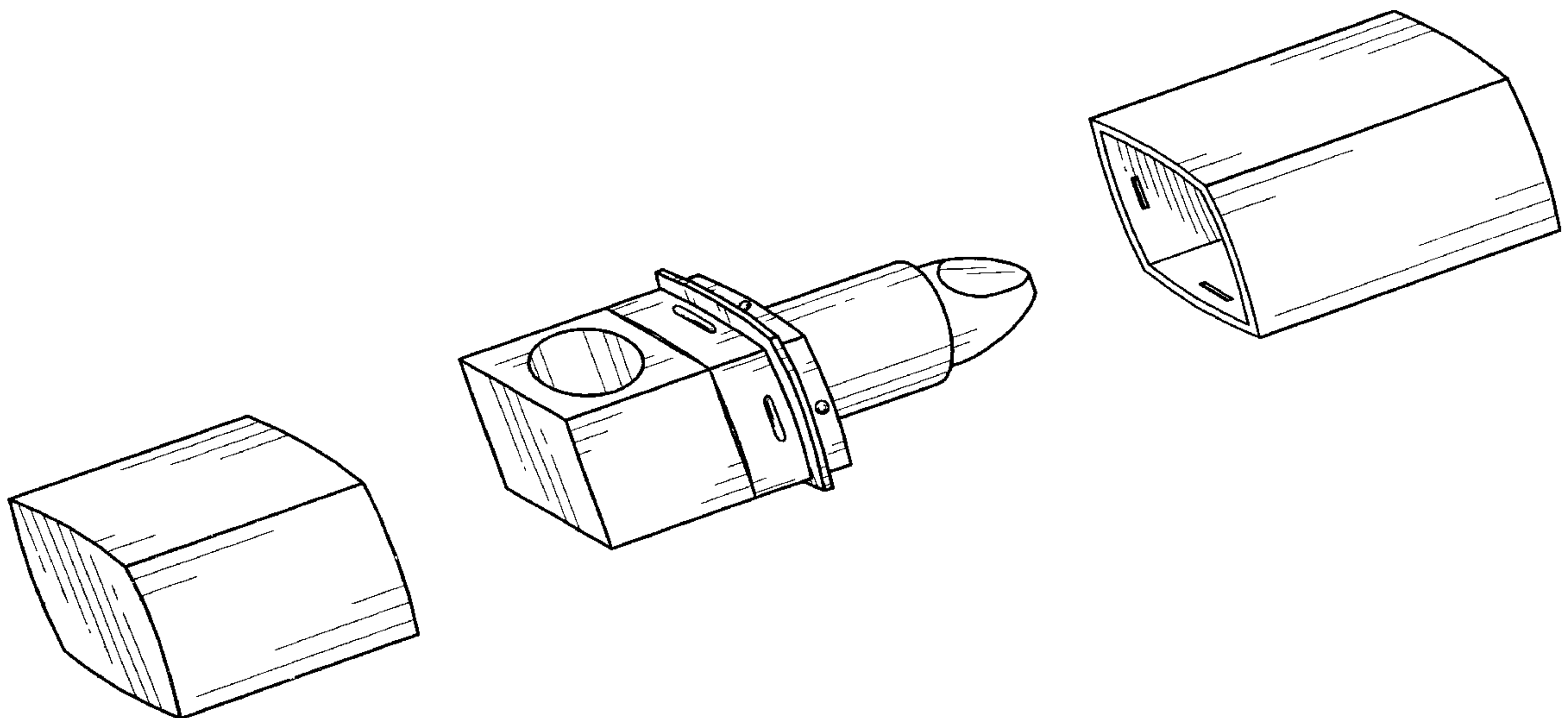
FIG. 6 is a right side elevation view of FIG. 2.

(56) **References Cited**

U.S. PATENT DOCUMENTS

3,612,068 A * 10/1971 Higbee 131/193 X

1 Claim, 3 Drawing Sheets



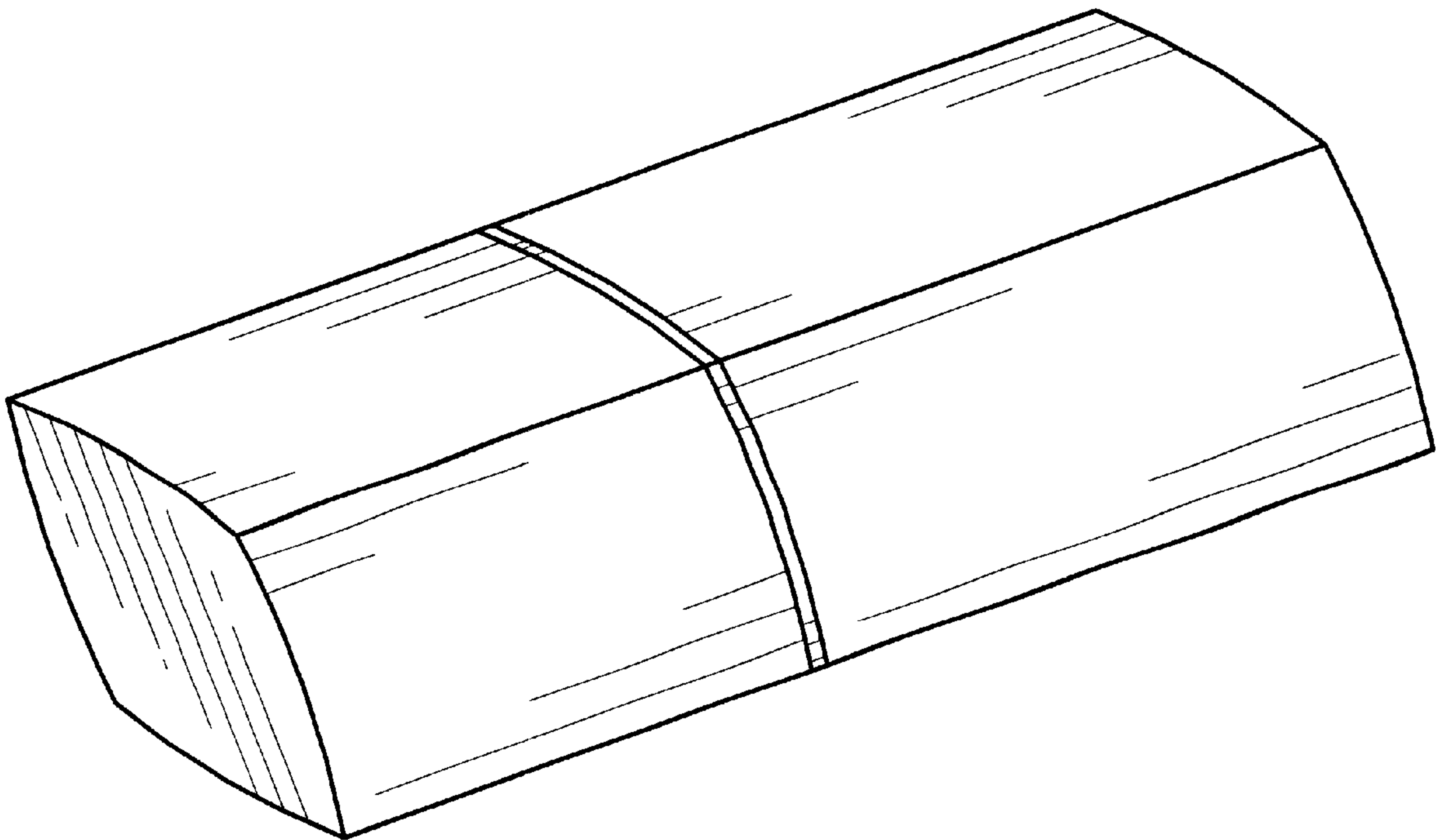


FIG. 1

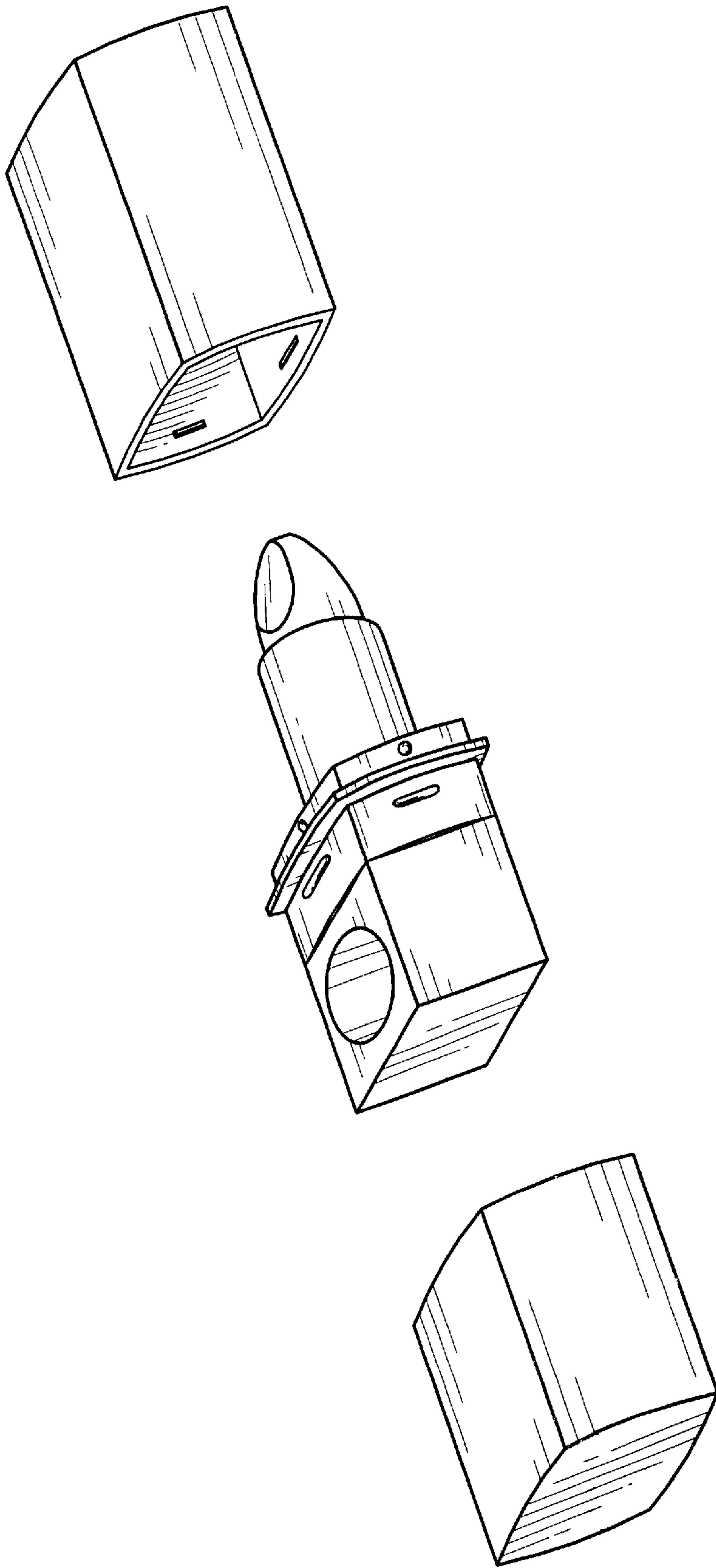


FIG. 2

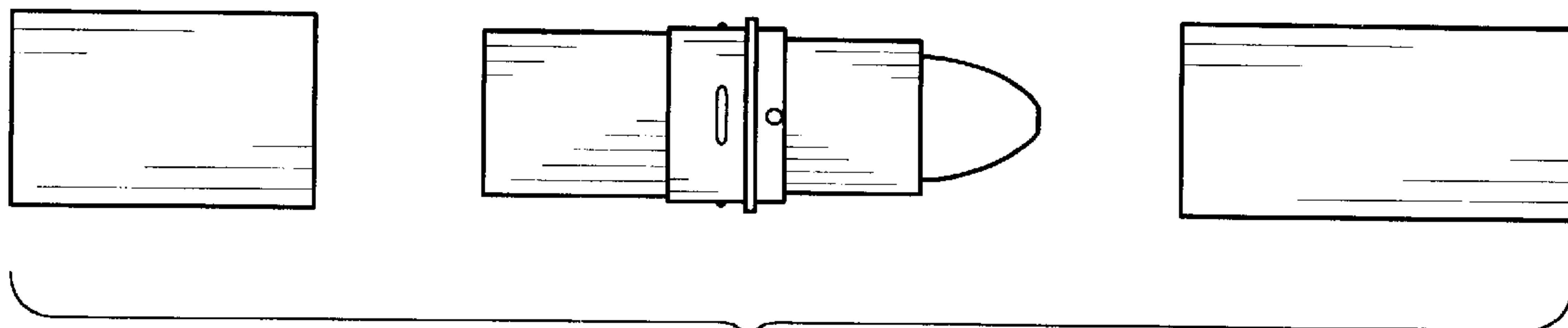


FIG. 3

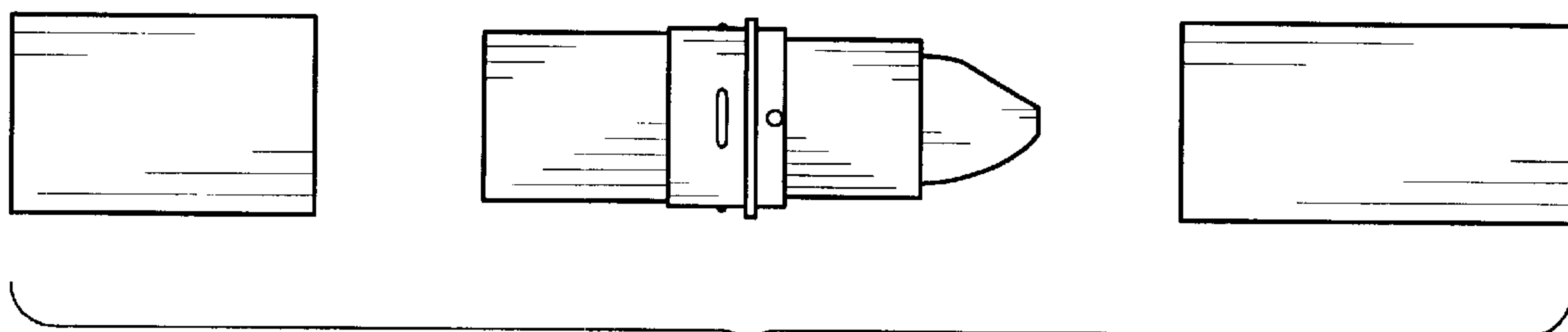


FIG. 4

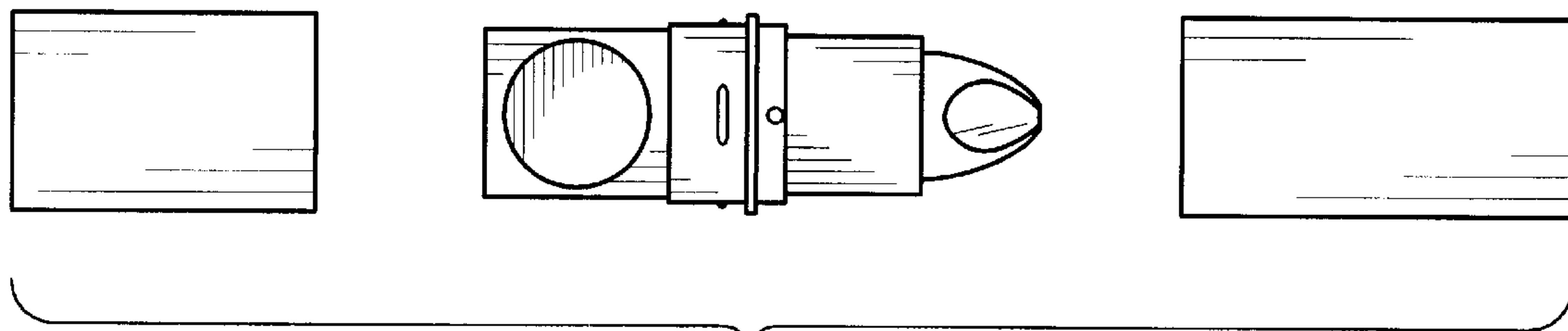


FIG. 5

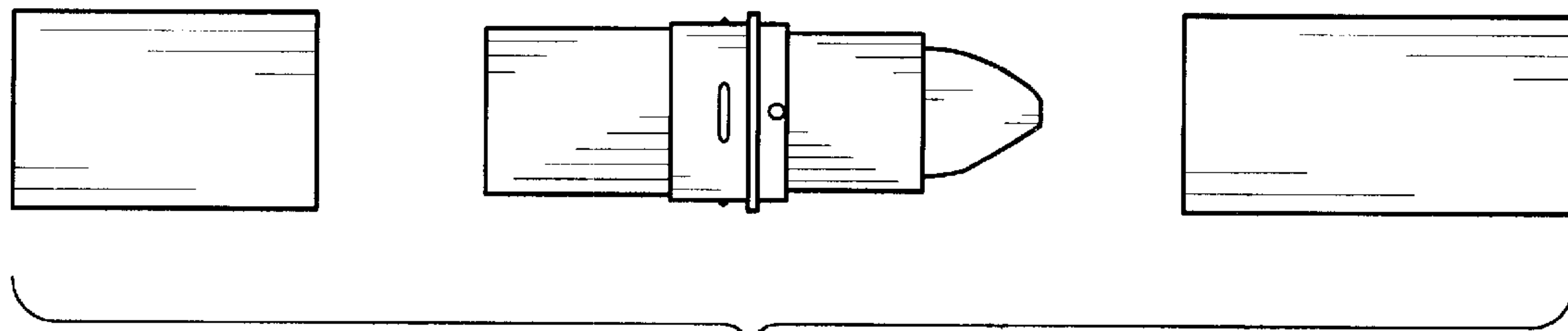


FIG. 6