



US00D458703S

(12) **United States Design Patent**
Moriyama et al.

(10) **Patent No.:** **US D458,703 S**
(45) **Date of Patent:** **** Jun. 11, 2002**

(54) **LAMP DEVICE**

(75) Inventors: **Hideo Moriyama; Masayuki Katogi,**
both of Tokyo (JP)

(73) Assignee: **Moriyama Sangyo Kabushiki Kaisha,**
Tokyo (JP)

(**) Term: **14 Years**

(21) Appl. No.: **29/141,712**

(22) Filed: **May 11, 2001**

(30) **Foreign Application Priority Data**

Nov. 14, 2000 (JP) 2000-038019

(51) **LOC (7) Cl.** **26-03**

(52) **U.S. Cl.** **D26/82**

(58) **Field of Search** D26/72-92, 118;
362/147, 326, 355, 404-408, 432, 217-223

(56) **References Cited**

U.S. PATENT DOCUMENTS

- D245,240 S * 8/1977 Sut D26/80 X
- D246,399 S * 11/1977 Harris D26/84
- 4,774,646 A * 9/1988 L'Heureux 362/249
- D443,377 S * 6/2001 Handsaker D26/72

* cited by examiner

Primary Examiner—Alan P. Douglas

Assistant Examiner—Clare E. Heflin

(74) *Attorney, Agent, or Firm*—Marshall & Melhorn, LLC

(57) **CLAIM**

The ornamental design for a lamp device, as shown and described.

DESCRIPTION

FIG. 1 is a perspective view of a lamp device showing our new design;

FIG. 2 is a front view thereof, the back view being identical to the front view;

FIG. 3 is a right side view thereof, the left side view being identical to the right side view;

FIG. 4 is a top plan view thereof;

FIG. 5 is a bottom plan view thereof;

FIG. 6 is a longitudinal cross-sectional view thereof taken along the lines VI—VI in FIG. 4;

FIG. 7 is an illustrative perspective view of the lamp device according to our new design received in a receptacle shown in broken lines for illustrative purposes only; and,

FIG. 8 is another illustrative perspective view of the lamp device of our new design received in a receptacle, shown in broken lines for illustrative purposes only and forming no part of the claimed design, the lamp device being pivoted around a longitudinal axis.

1 Claim, 3 Drawing Sheets

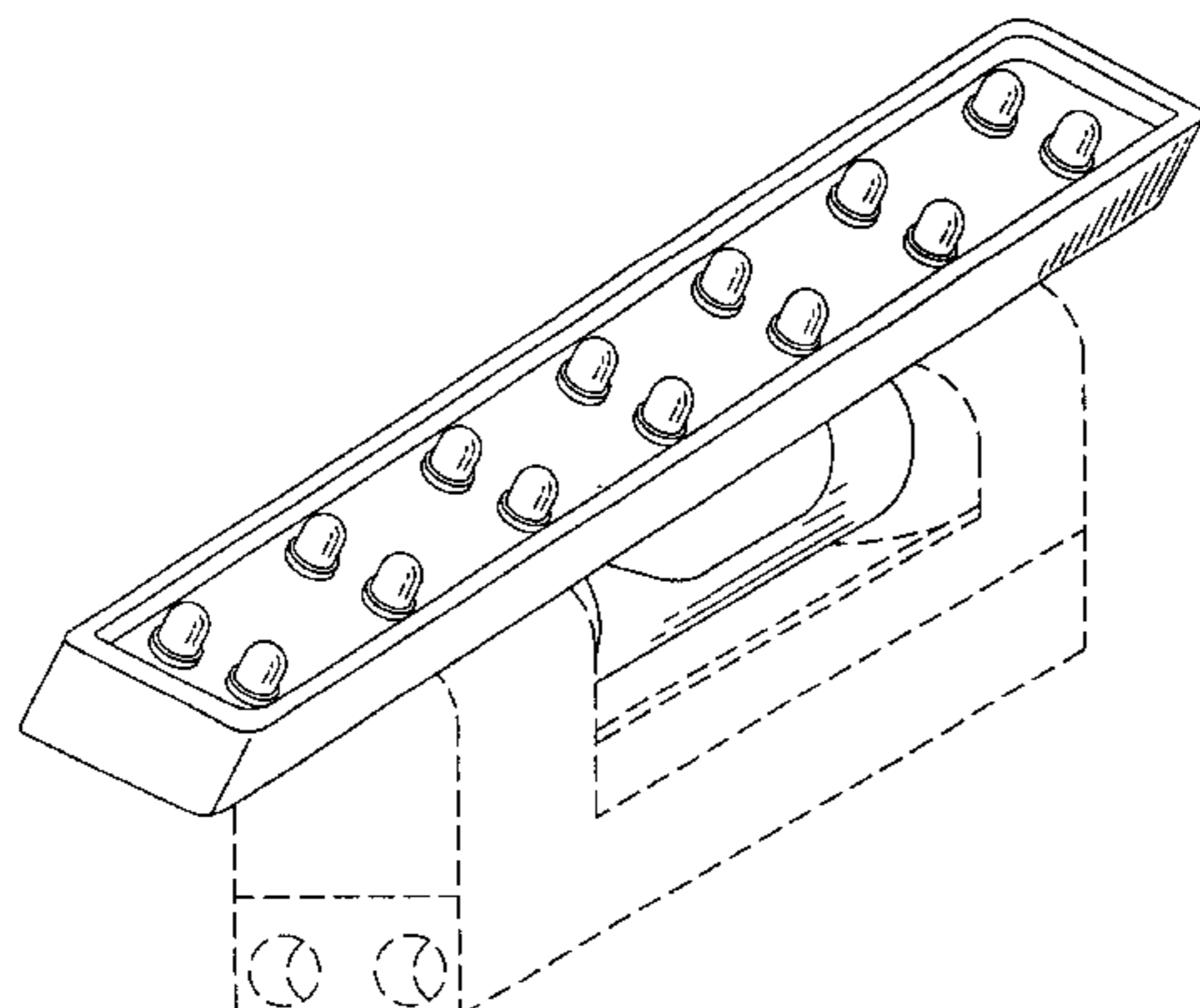
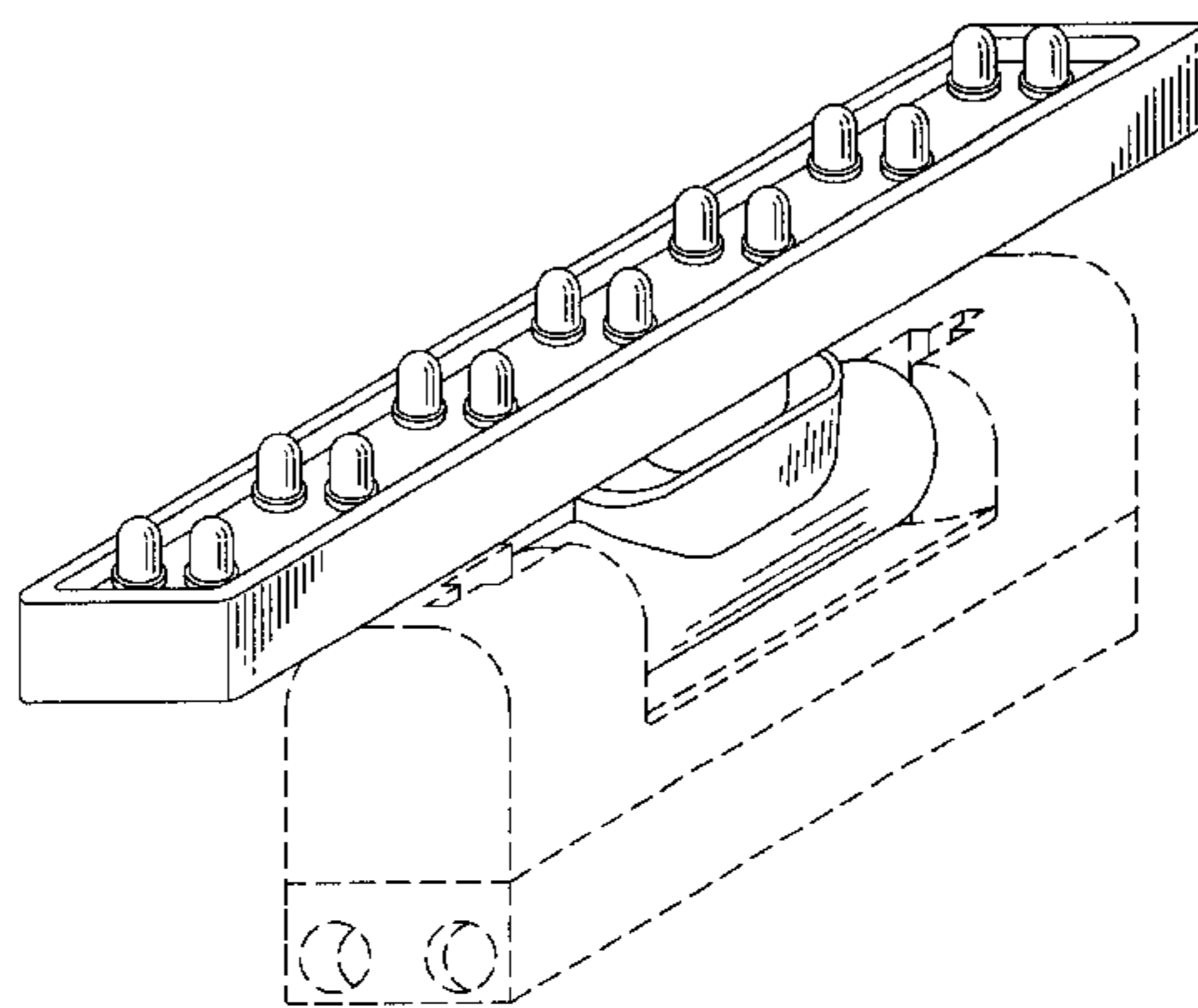


Fig. 1

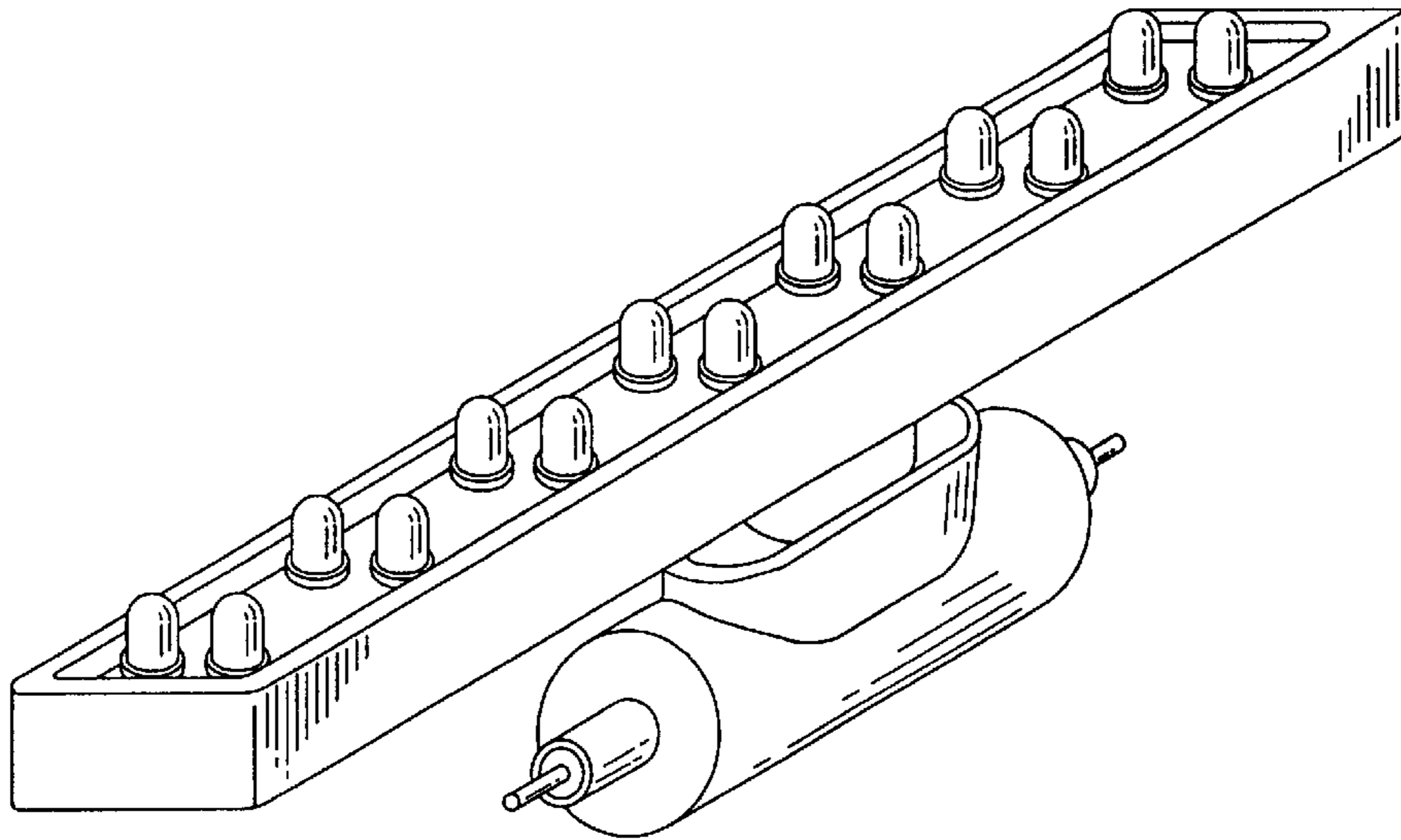


Fig. 2

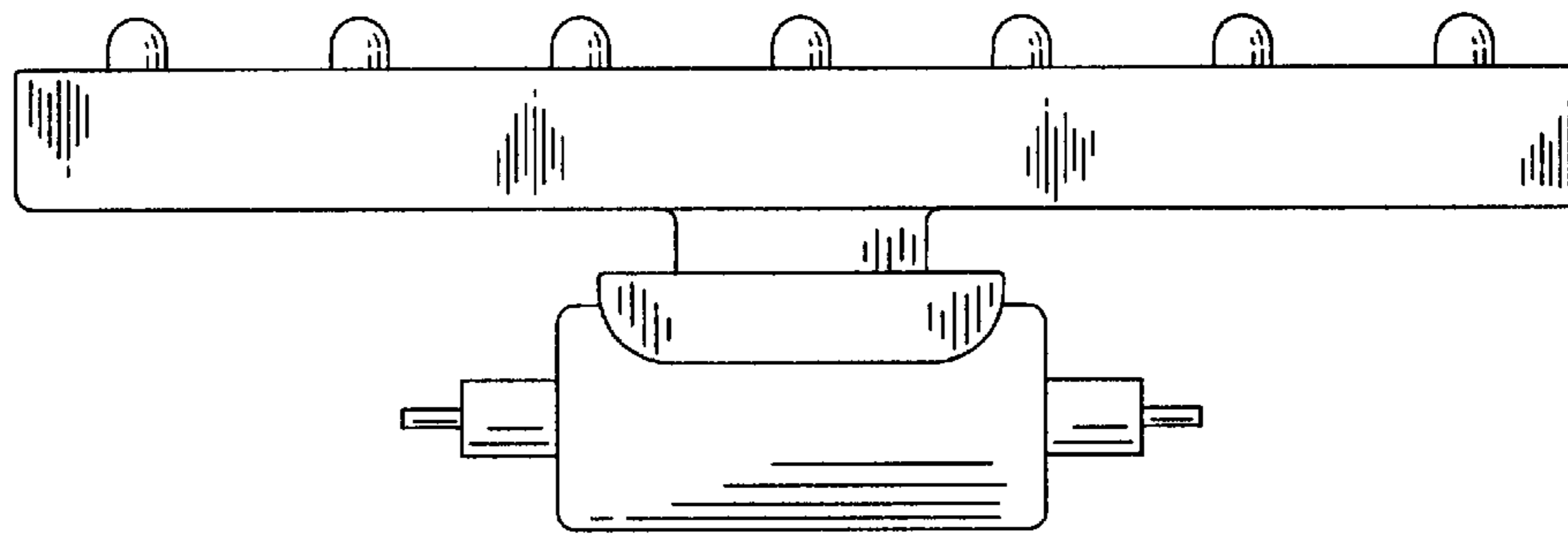


Fig. 3

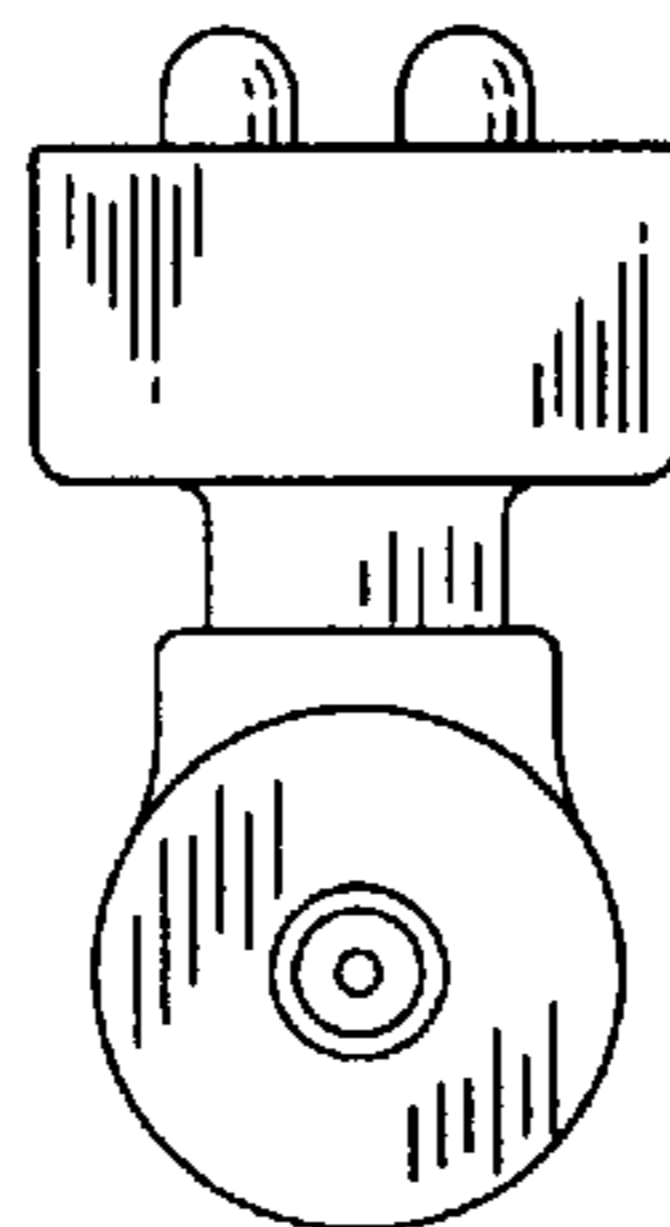


Fig. 4

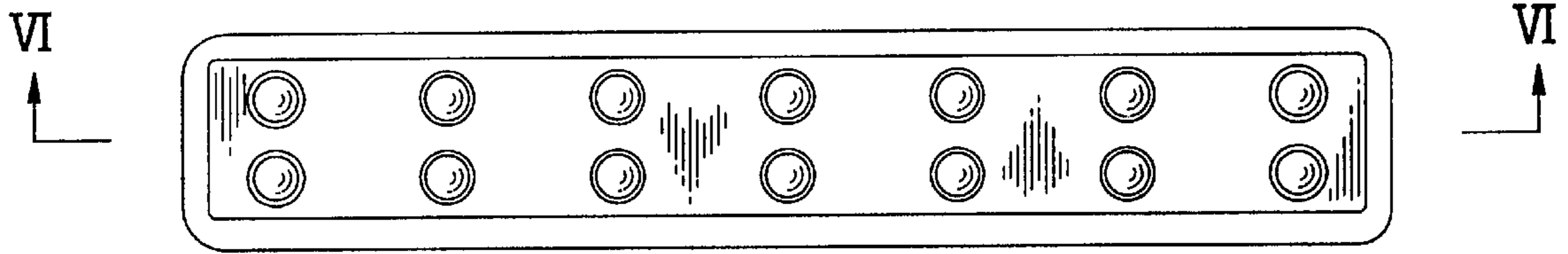


Fig. 5

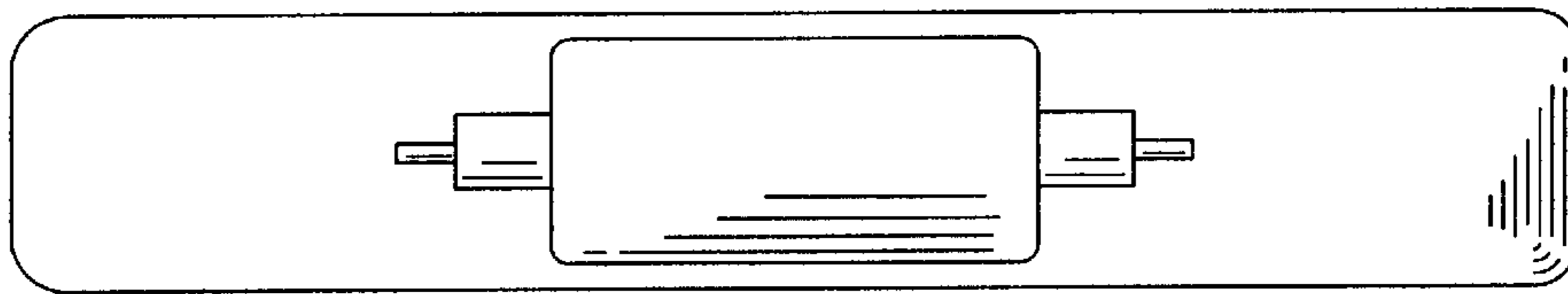


Fig. 6

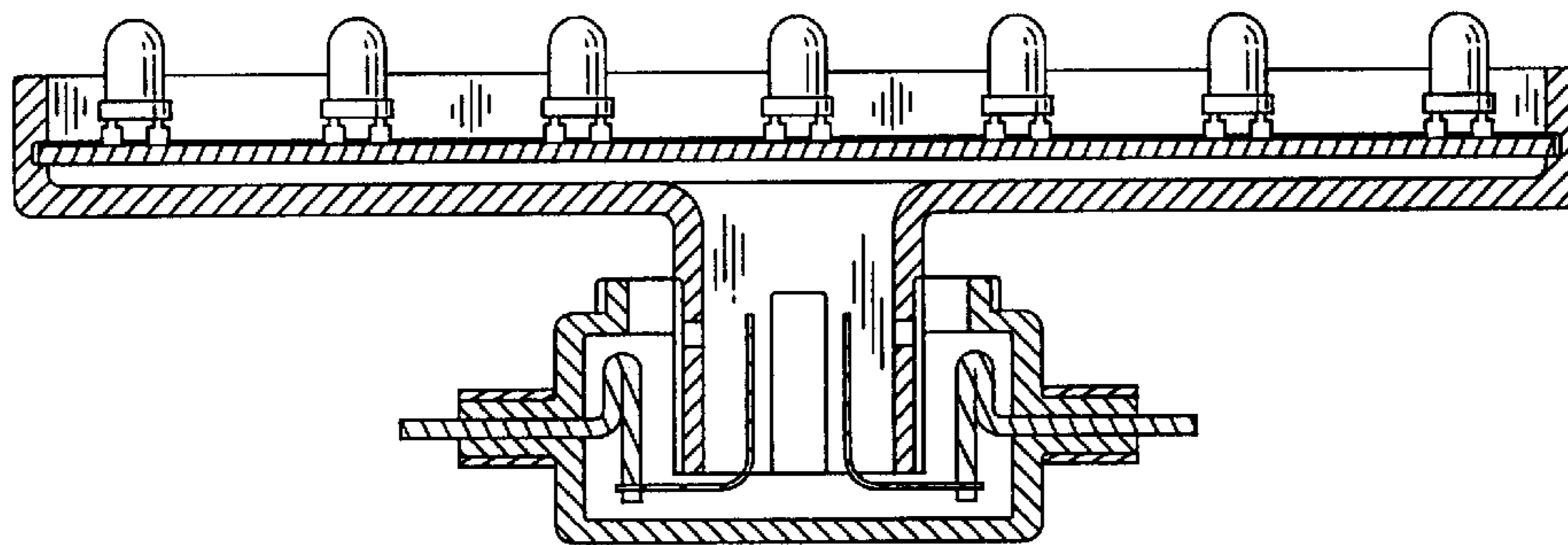


Fig. 7

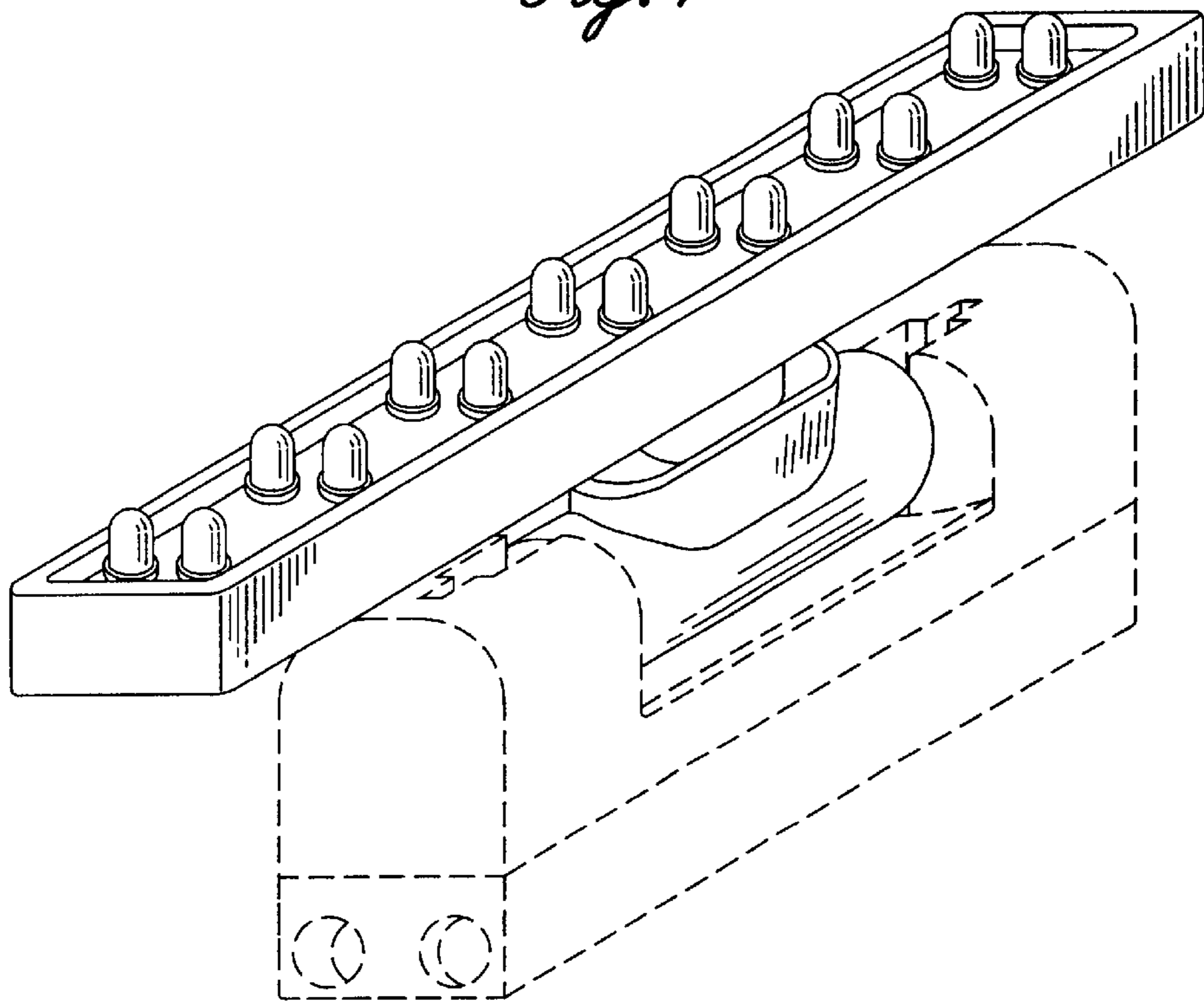


Fig. 8

