



US00D458702S

(12) **United States Design Patent**  
**Ellis**

(10) **Patent No.:** **US D458,702 S**

(45) **Date of Patent:** **\*\* Jun. 11, 2002**

(54) **SOLAR POWERED OUTDOOR LIGHT**

(75) Inventor: **Hon Siu Cheong Ellis, Shunshine (HK)**

(73) Assignee: **The Brinkmann Corporation, Dallas, TX (US)**

(\*\*) Term: **14 Years**

(21) Appl. No.: **29/134,905**

(22) Filed: **Dec. 29, 2000**

(51) **LOC (7) Cl.** ..... **26-05**

(52) **U.S. Cl.** ..... **D26/68**

(58) **Field of Search** ..... D26/67-71; 362/153, 362/153.1, 431, 183, 276

(56) **References Cited**

**U.S. PATENT DOCUMENTS**

D37,742 S	12/1905	Davis	
D66,189 S	12/1924	Jaeger	
D67,423 S	5/1925	Walker	
D67,929 S	8/1925	Lipschutz	
D72,714 S	5/1927	Lipschutz	
D76,062 S	8/1928	Shortt	
D81,003 S	4/1930	Haas	
D105,246 S	7/1937	Ostrow	
2,967,230 A	1/1961	Goetz et al.	240/3
3,239,958 A	3/1966	Daum	40/145
D206,082 S	10/1966	Rosen	D48/4
D220,641 S	5/1971	Lewis	D48/4
D251,629 S	4/1979	Nelson	D48/4 B
D302,477 S	7/1989	Bohler	D26/81
D309,796 S	8/1990	Koziol	D26/87
D313,868 S	1/1991	Shyu	D26/87
D314,834 S	2/1991	Rottner	D26/87
D316,759 S	5/1991	Choi	D26/87
D360,048 S	* 7/1995	Messina, Jr.	D26/67
D383,865 S	9/1997	Heiberg et al.	D26/87
D387,458 S	12/1997	Ruggles et al.	D26/67
D388,220 S	12/1997	Hsu	D26/87
D394,325 S	5/1998	Hsu	D26/87
D394,519 S	5/1998	Hsu	D26/87

D409,780 S	5/1999	Maxwell	D26/67
D420,162 S	2/2000	Meck et al.	D26/87
D420,459 S	2/2000	Meck et al.	D26/87
D420,760 S	2/2000	Meck et al.	D26/87
D428,507 S	7/2000	De'Armond	D26/72
D428,662 S	7/2000	Jaspers-Fayer et al.	D26/67
D429,016 S	8/2000	Cohen	D26/67

**OTHER PUBLICATIONS**

Rockscapes, Inc., Nov. 25, 1996 sales catalog, solid brass outdoor lamps on the cover and lamp Nos. P93-7-VH and P93-6X-VMW.\*

*Home Lighting & Accesories*, Aug. 1995, p. 19, Exterior Wall Lamp.

Kichler Lighting Catalog, 1989, p. 93, Post Lantern #K-9955.

\* cited by examiner

*Primary Examiner*—Alan P. Douglas

*Assistant Examiner*—Linda Brooks

(74) *Attorney, Agent, or Firm*—Sheppard, Mullin, Richter & Hampton LLP

(57) **CLAIM**

The ornamental design for a solar powered outdoor light, as shown and described.

**DESCRIPTION**

FIG. 1 is a top plan view of a solar powered outdoor light embodying the new design.

FIG. 2 is a bottom plan view of the design depicted in FIG. 1.

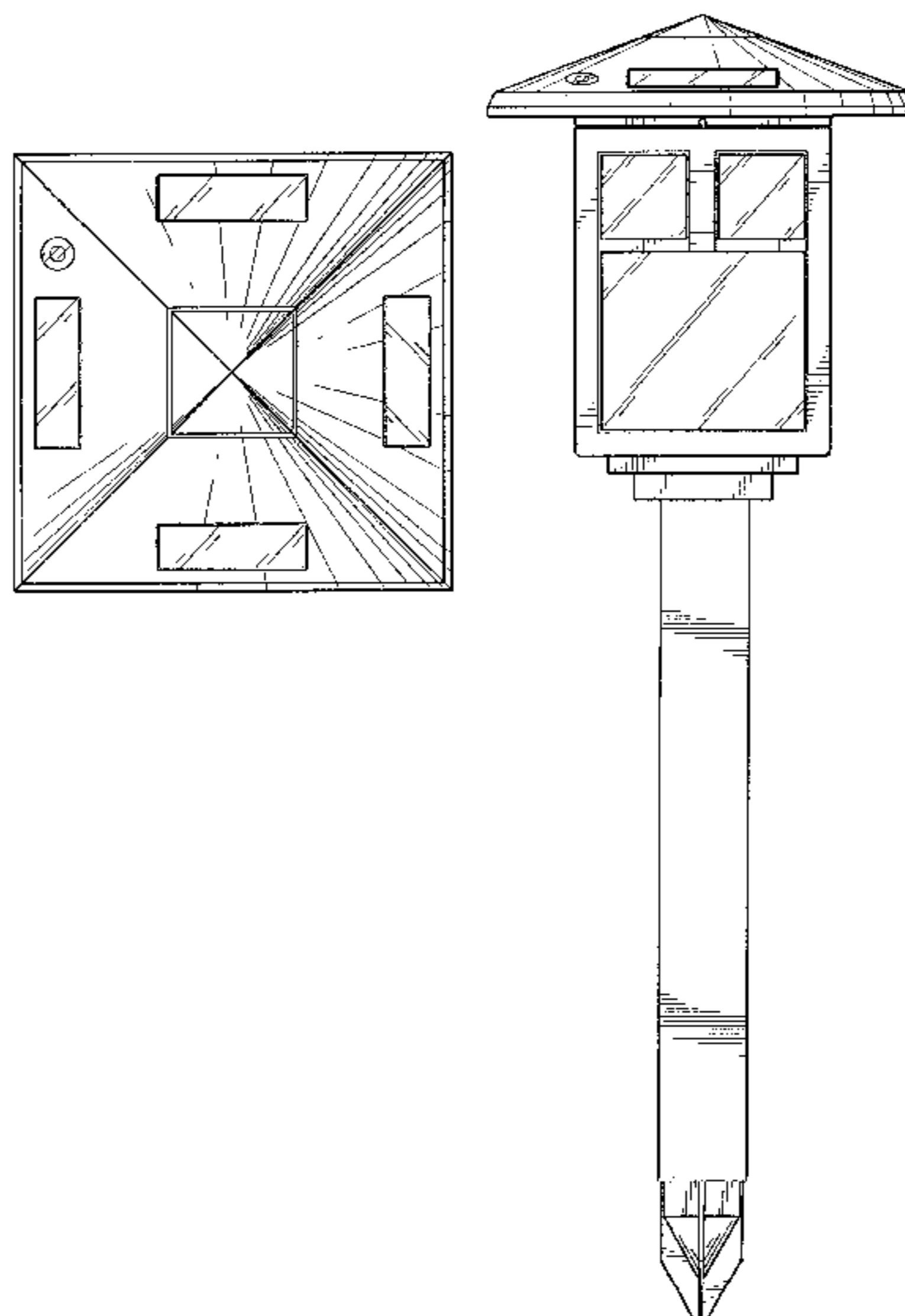
FIG. 3 is a left side elevational view of the design depicted in FIG. 1.

FIG. 4 is a front elevational view of the design depicted in FIG. 1.

FIG. 5 is a right side elevational view of the design depicted in FIG. 1; and,

FIG. 6 is a rear elevational view of the design depicted in FIG. 1.

**1 Claim, 3 Drawing Sheets**



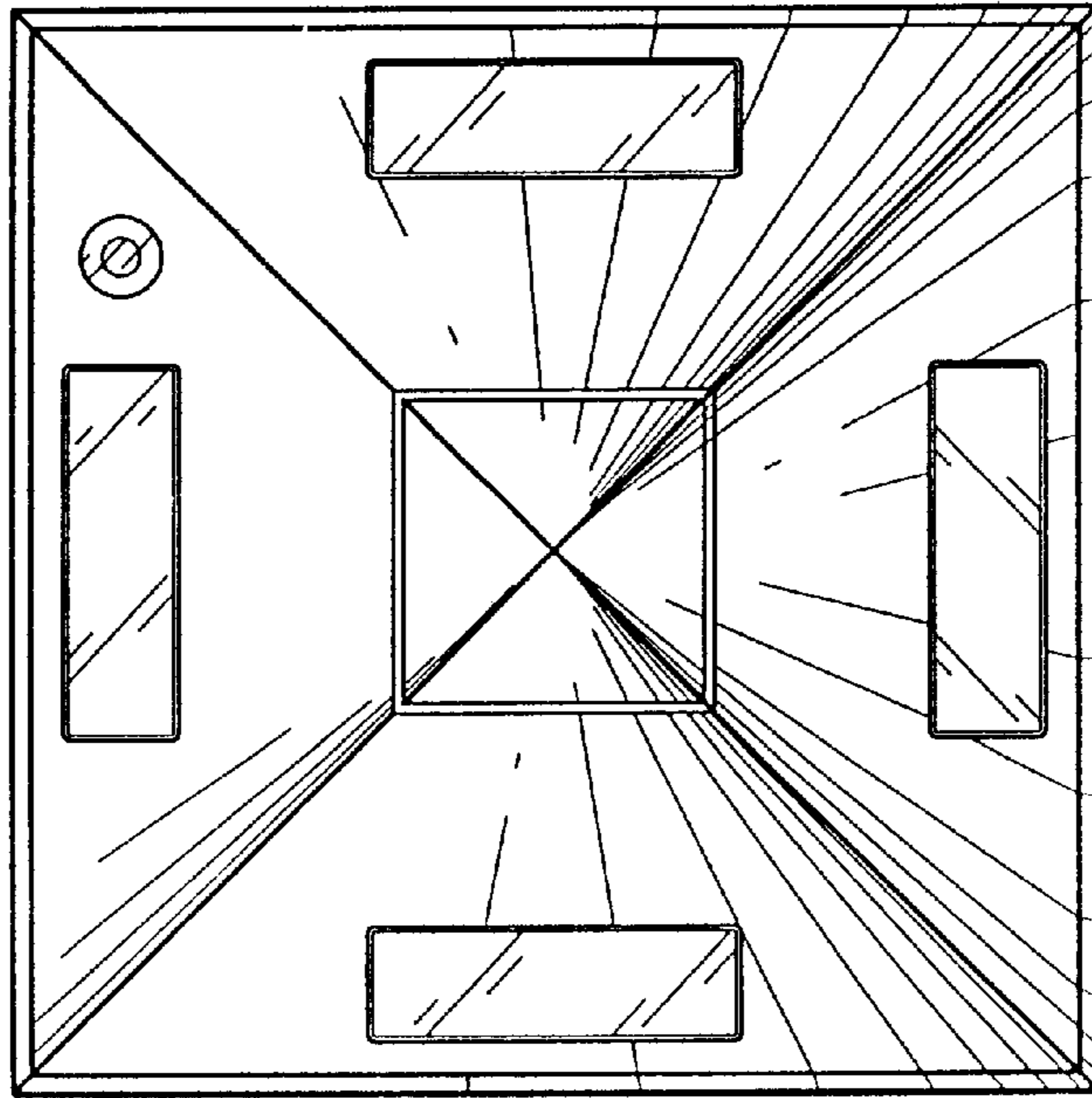


FIG. 1

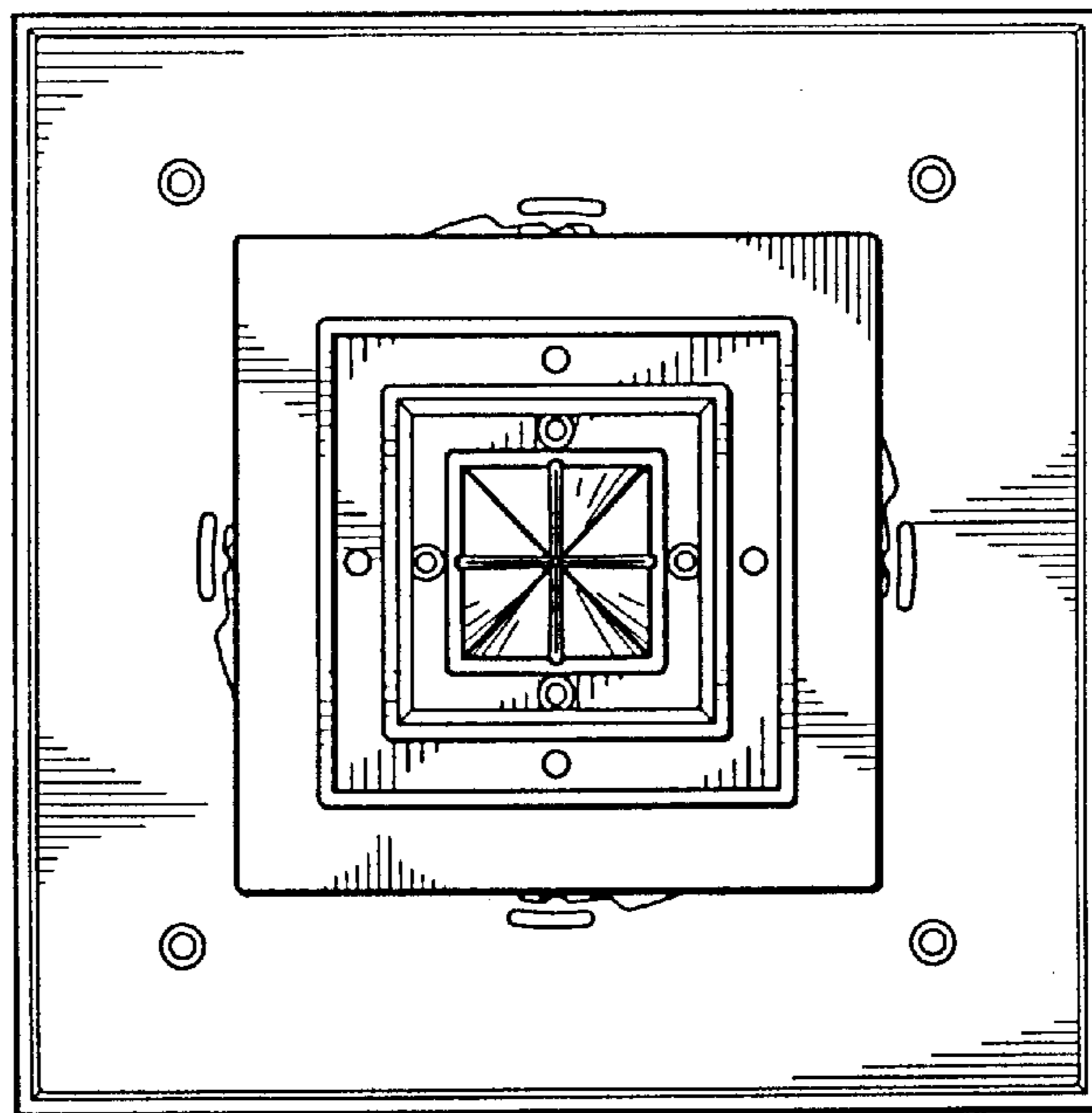


FIG. 2

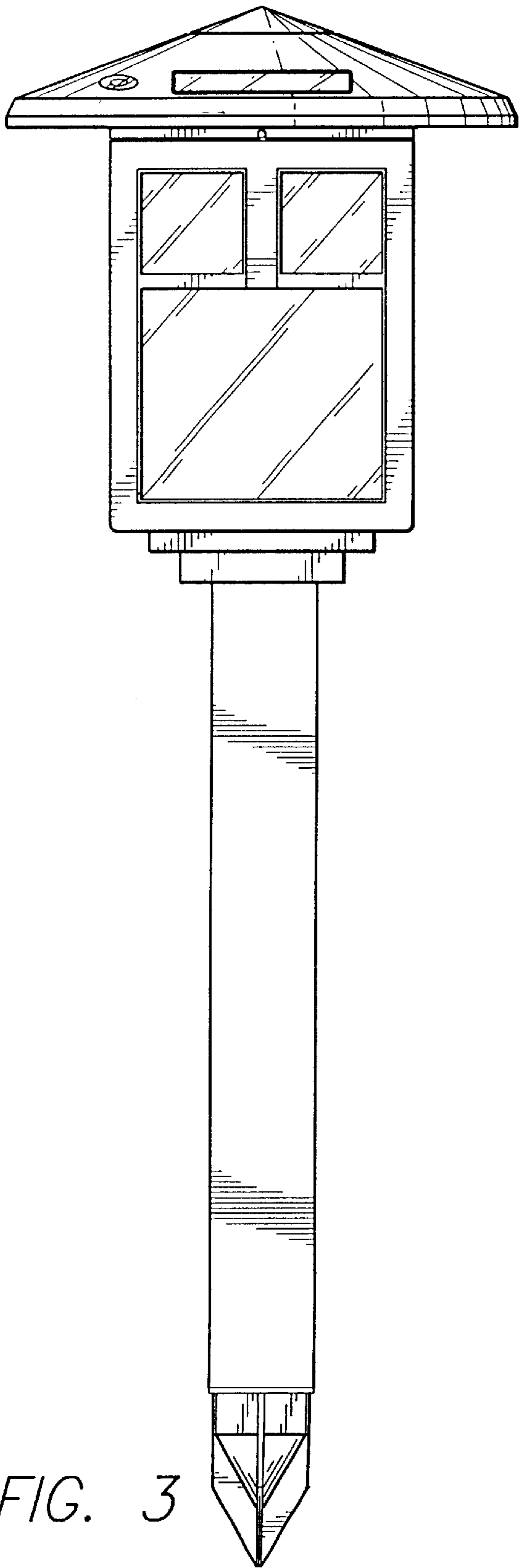


FIG. 3

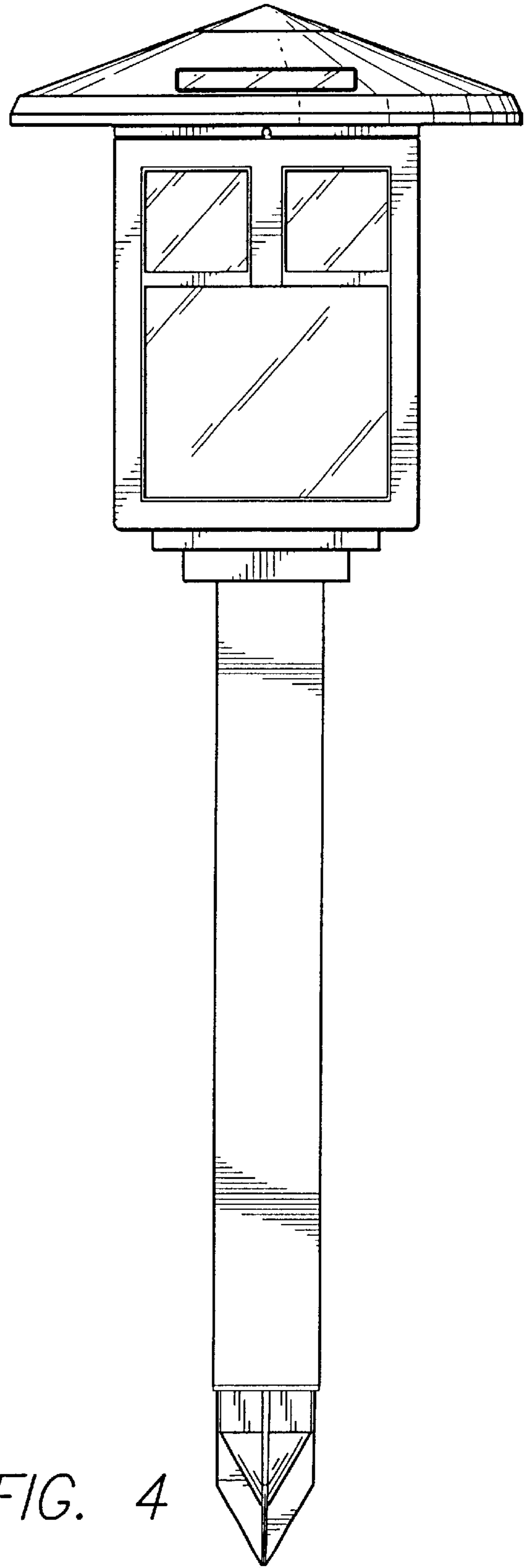


FIG. 4

