



US00D458696S

(12) **United States Design Patent**
Katogi et al.

(10) **Patent No.:** **US D458,696 S**

(45) **Date of Patent:** **** Jun. 11, 2002**

(54) **LAMP UNIT**

(75) Inventors: **Masayuki Katogi; Katsunori Sato,**
both of Tokyo (JP)

(73) Assignee: **Moriyama Sangyo Kabushiki Kaisha,**
Tokyo (JP)

(**) Term: **14 Years**

(21) Appl. No.: **29/144,070**

(22) Filed: **Jun. 25, 2001**

(30) **Foreign Application Priority Data**

Dec. 26, 2000 (JP) 2000-038344

(51) **LOC (7) Cl.** **26-04**

(52) **U.S. Cl.** **D26/2**

(58) **Field of Search** D26/1, 2, 3, 4;
313/113, 313, 315, 317, 318, 578, 579

(56) **References Cited**

U.S. PATENT DOCUMENTS

D385,051 S	*	10/1997	Wu	D26/2
D388,726 S	*	1/1998	Wu	D26/2
D402,772 S	*	12/1998	Lodhie	D26/2
D434,510 S	*	11/2000	Lodhie	D26/2
D437,646 S	*	2/2001	Higano et al.	D26/2

* cited by examiner

Primary Examiner—Marcus A. Jackson

(74) *Attorney, Agent, or Firm*—Marshall & Melhorn, LLC

(57) **CLAIM**

The ornamental design for a lamp unit, as shown and described.

DESCRIPTION

FIG. 1 is a perspective view of a lamp unit showing our new design;

FIG. 2 is a front view thereof;

FIG. 3 is a back view thereof;

FIG. 4 is a right side view thereof;

FIG. 5 is a left side view thereof;

FIG. 6 is a top plan view thereof;

FIG. 7 is a bottom plan view thereof;

FIG. 8 is a cross-sectional view taken along the lines VIII—VIII in FIG. 6;

FIG. 9 is an illustrative perspective view of the lamp unit according to our new design attached with a hood and metallic cap shown in broken lines for illustrative purposes only; and,

FIG. 10 is another illustrative perspective view of the lamp device of our new design attached with a metallic cap shown in broken lines for illustrative purposes only and forming no part of the claimed design, an upper part of the lamp unit being inclined with respect of a lower part thereof.

1 Claim, 3 Drawing Sheets

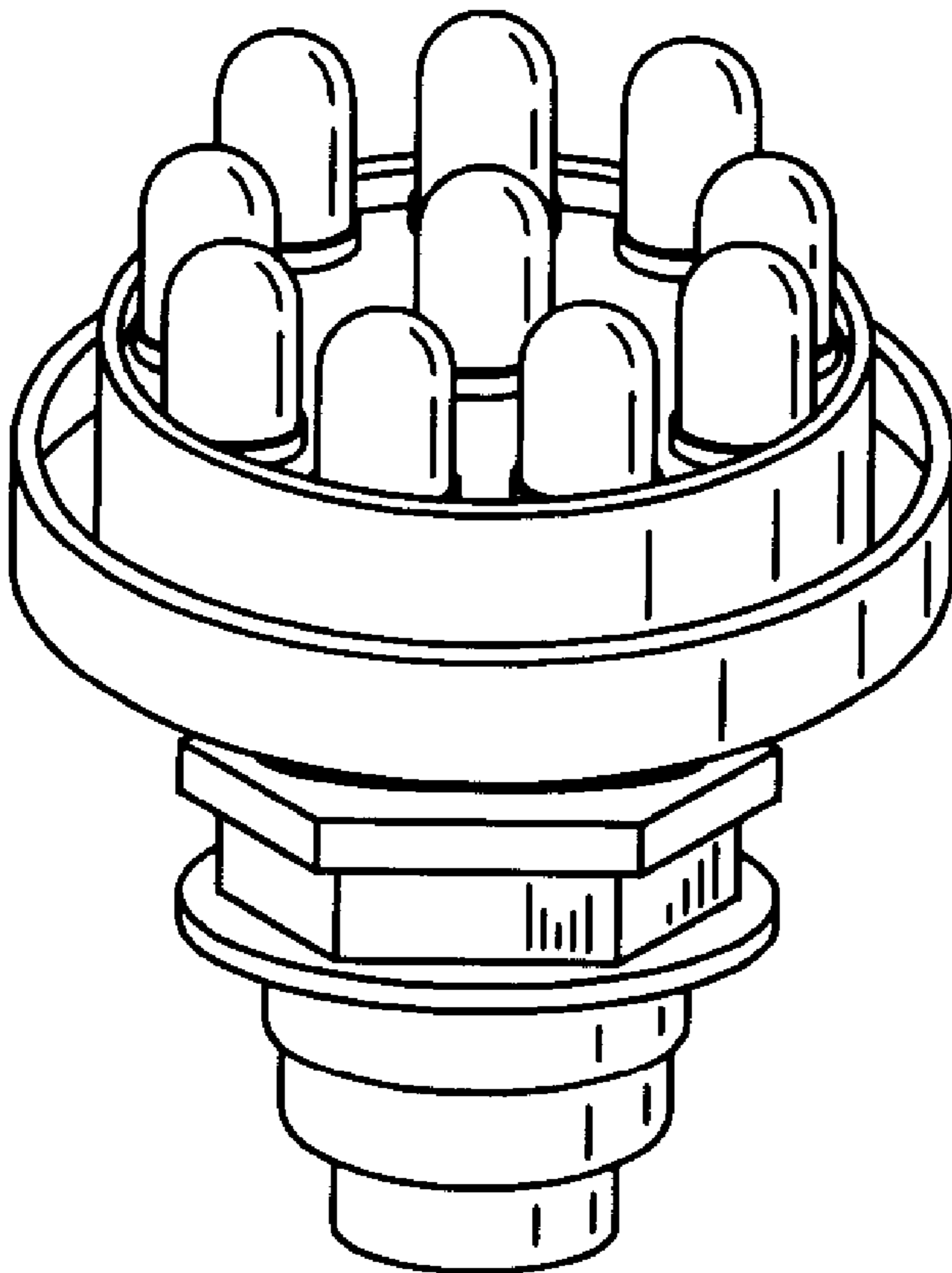


Fig. 1

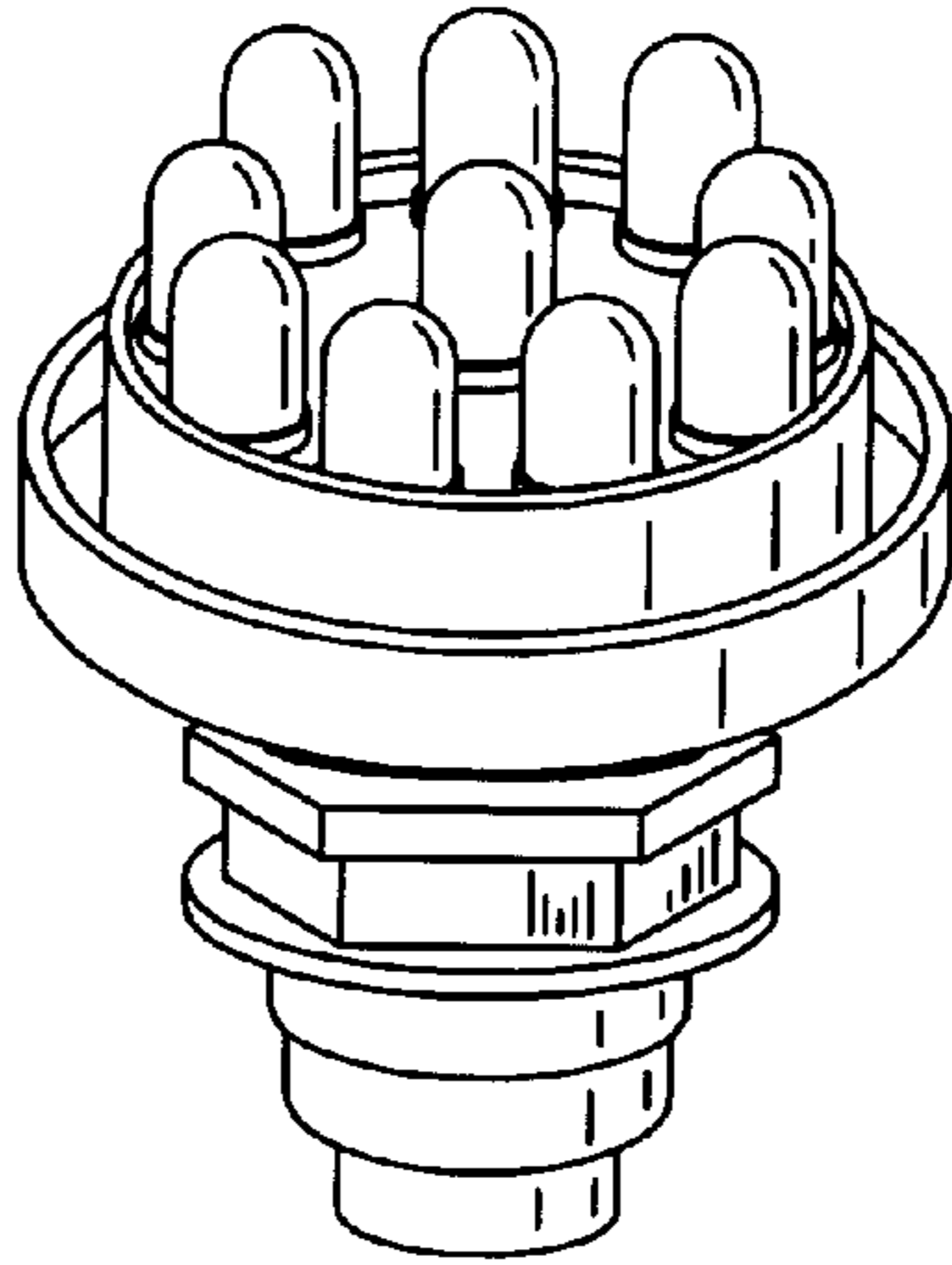


Fig. 2

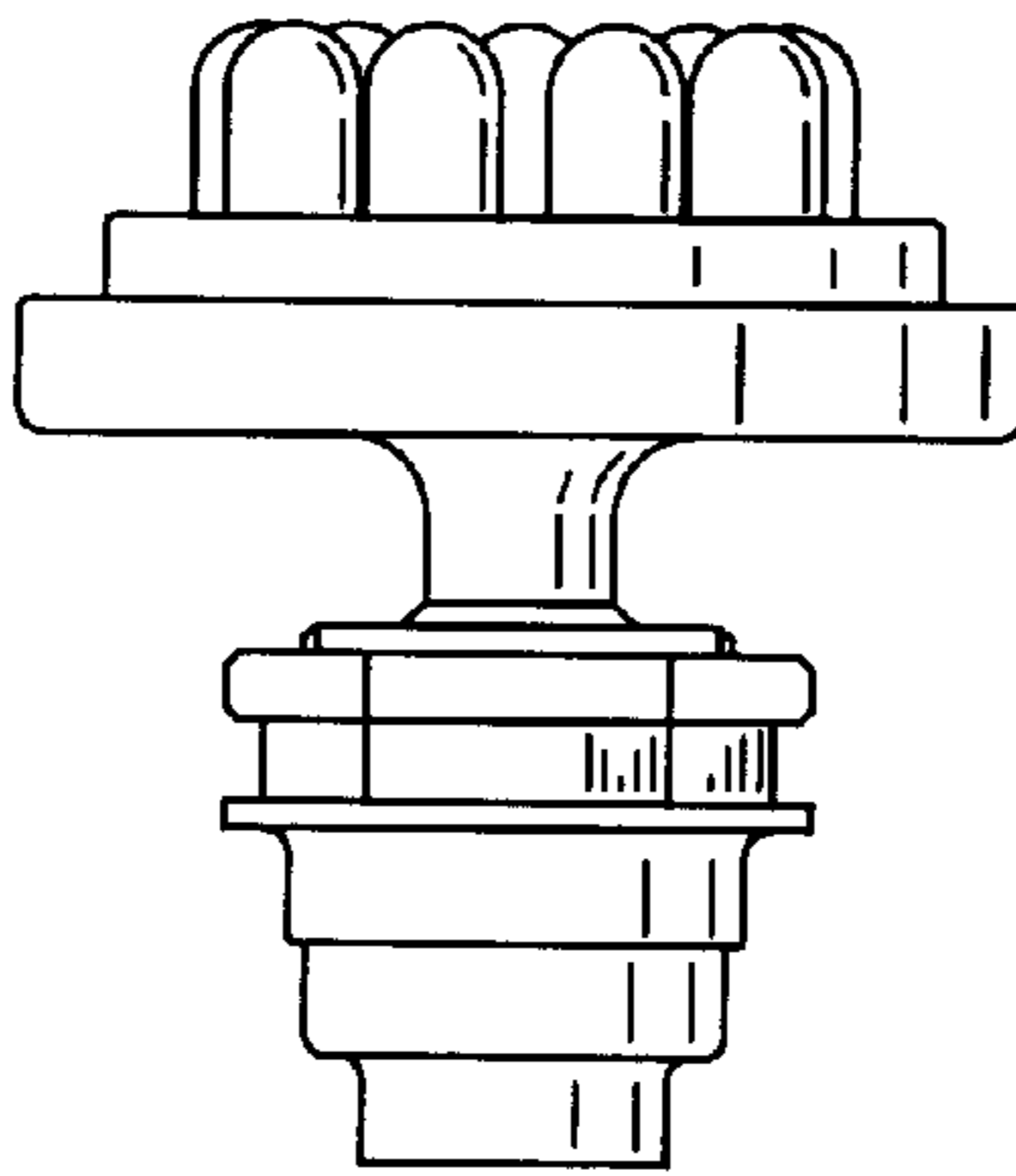


Fig. 3

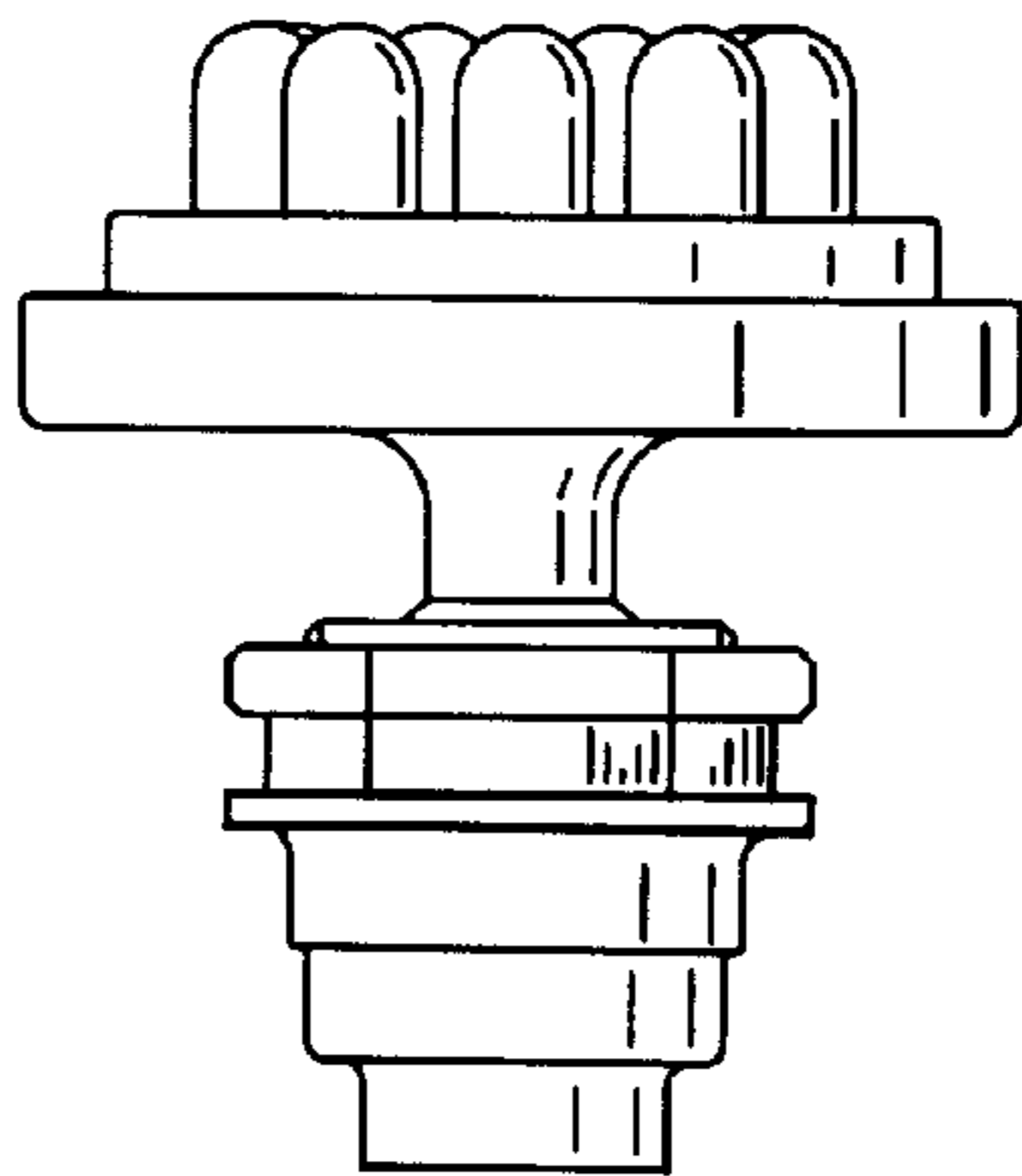


Fig. 4

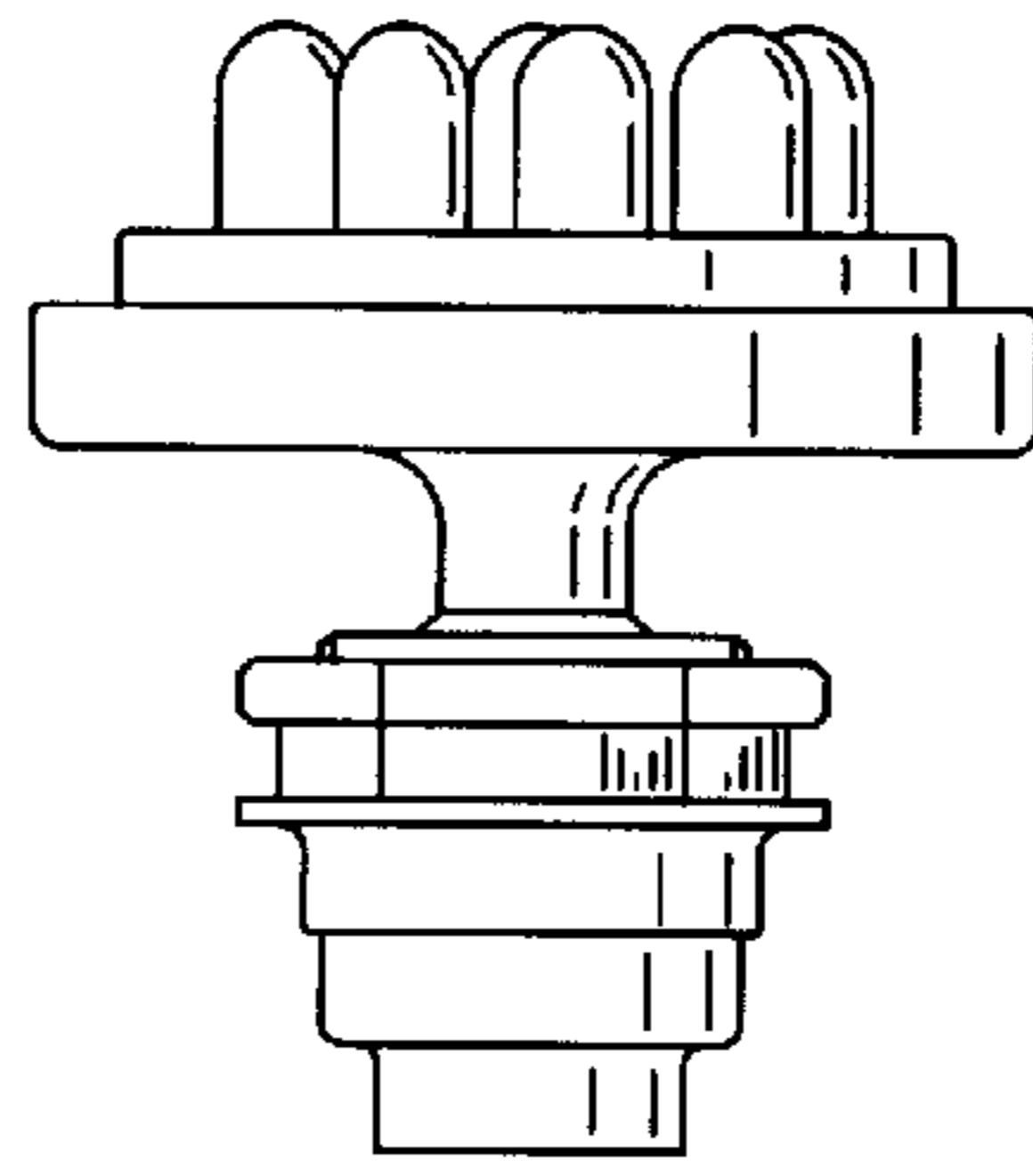


Fig. 5

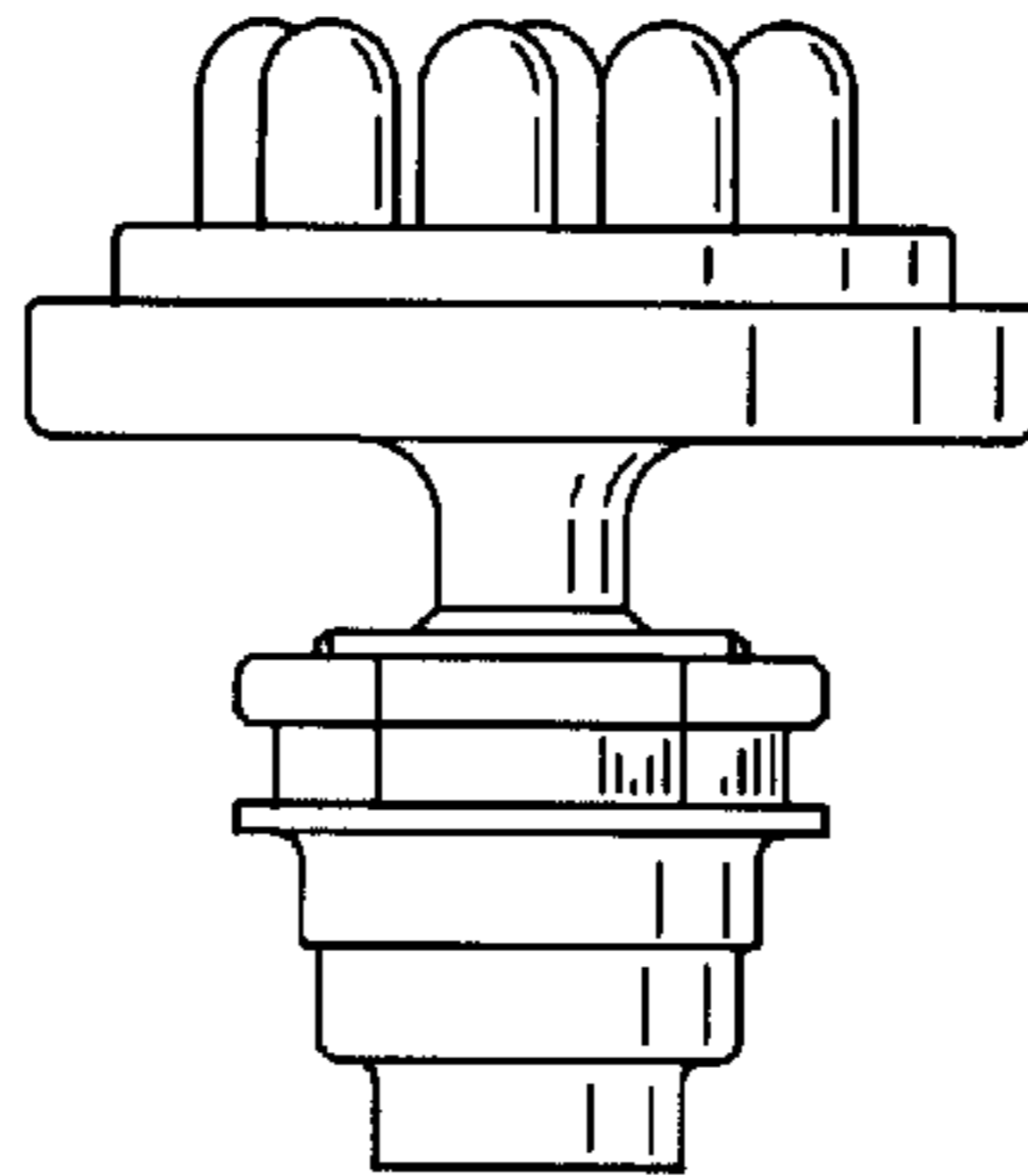


Fig. 6

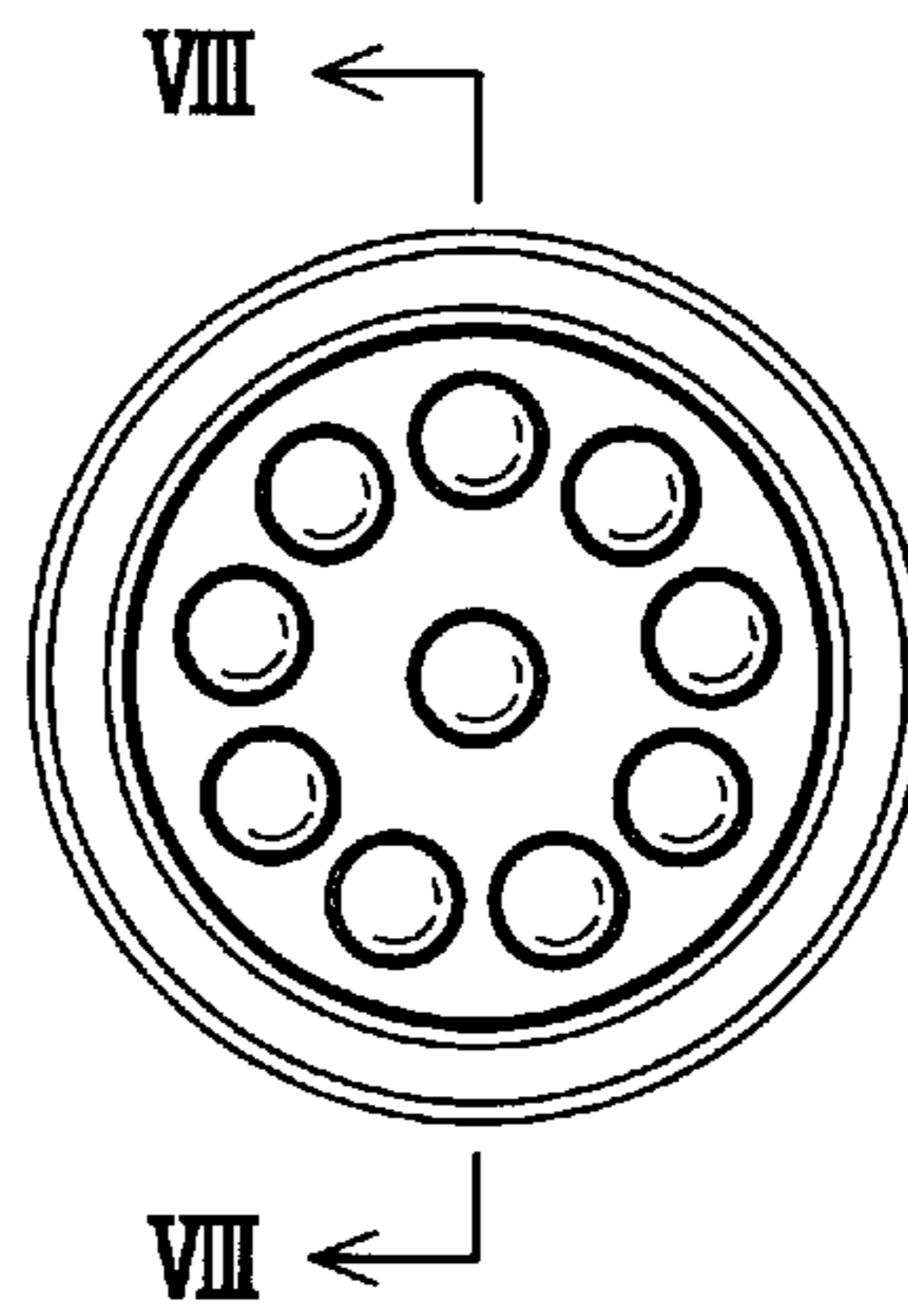


Fig. 7

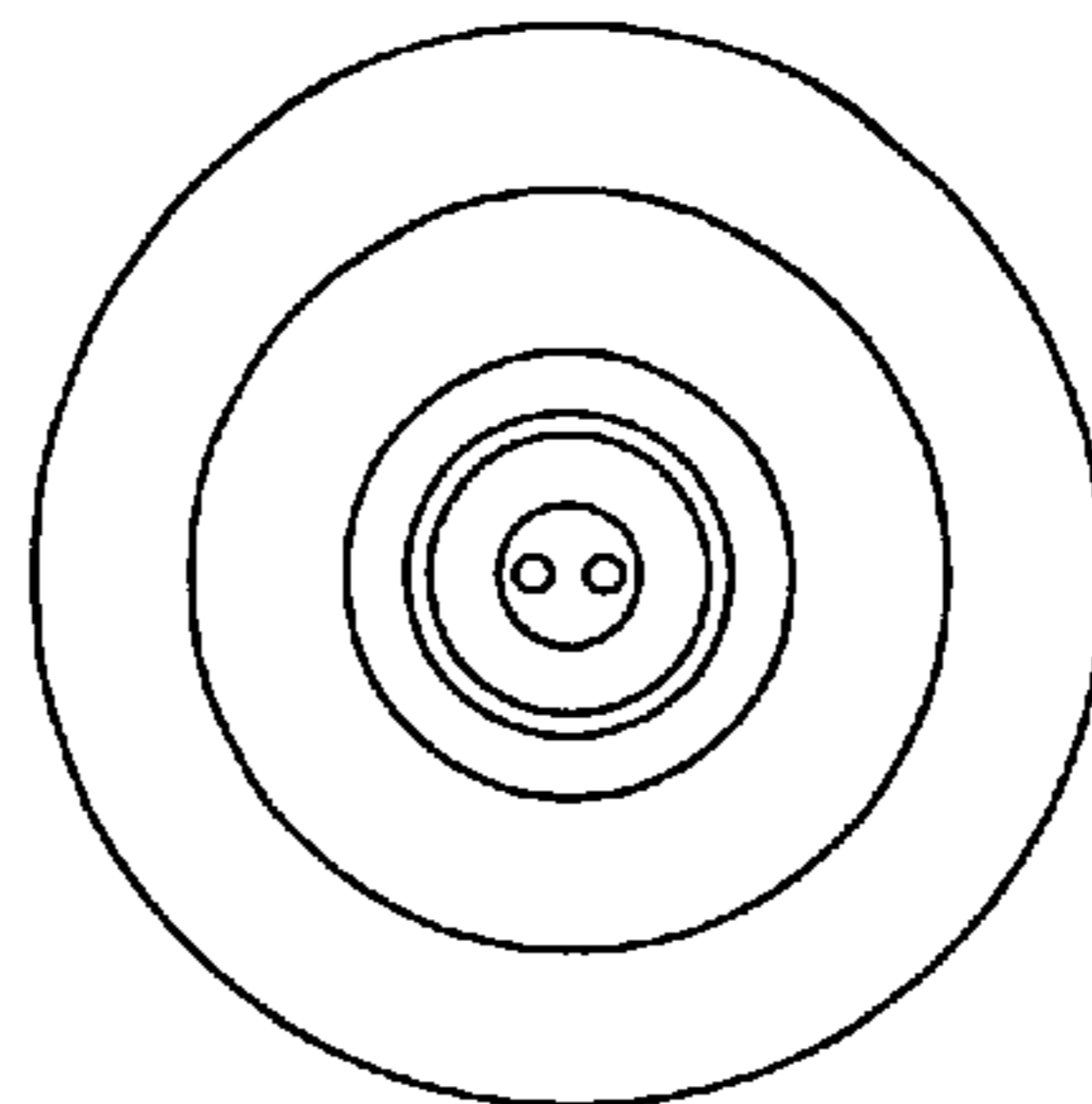


Fig. 8

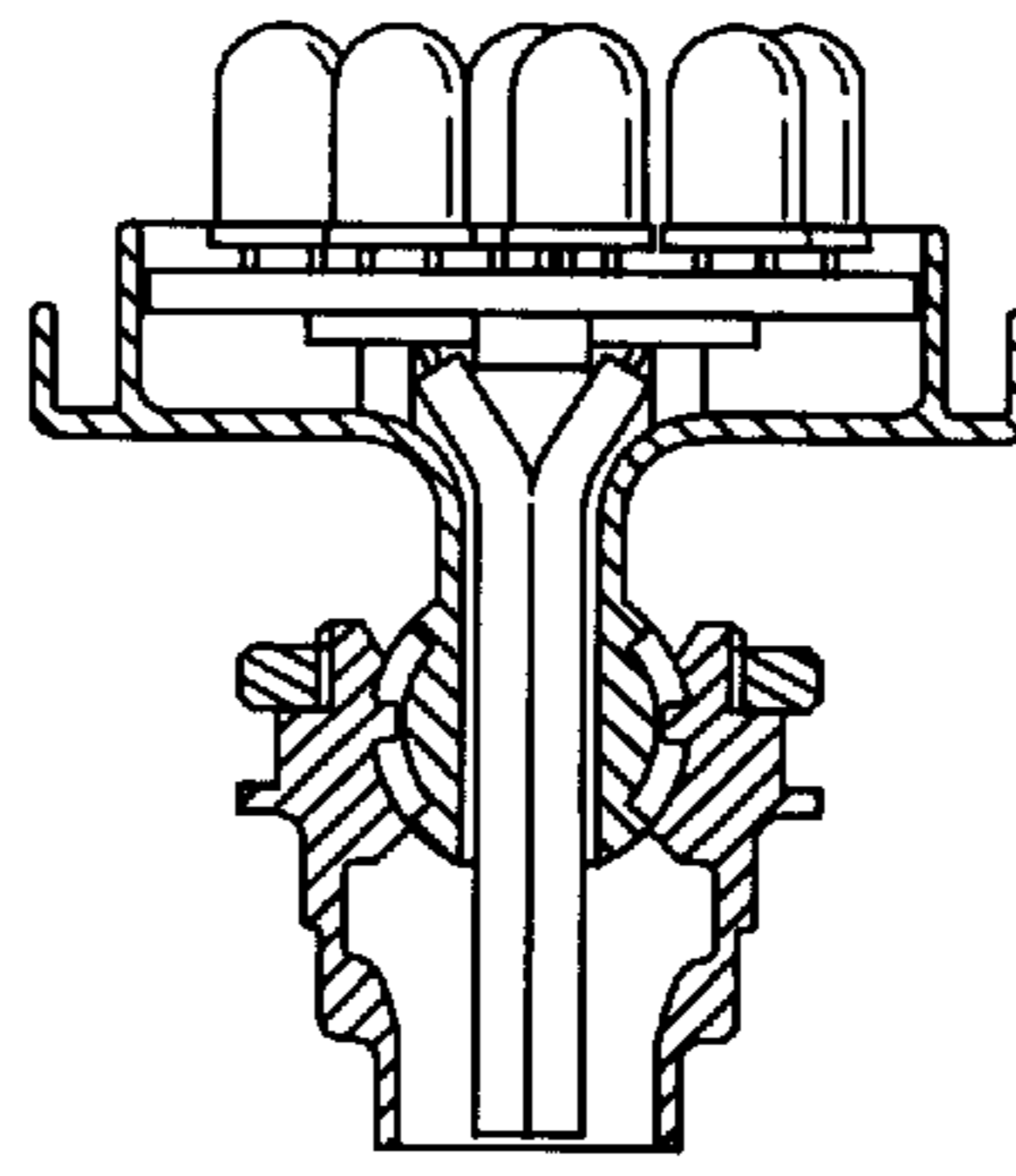


Fig. 9

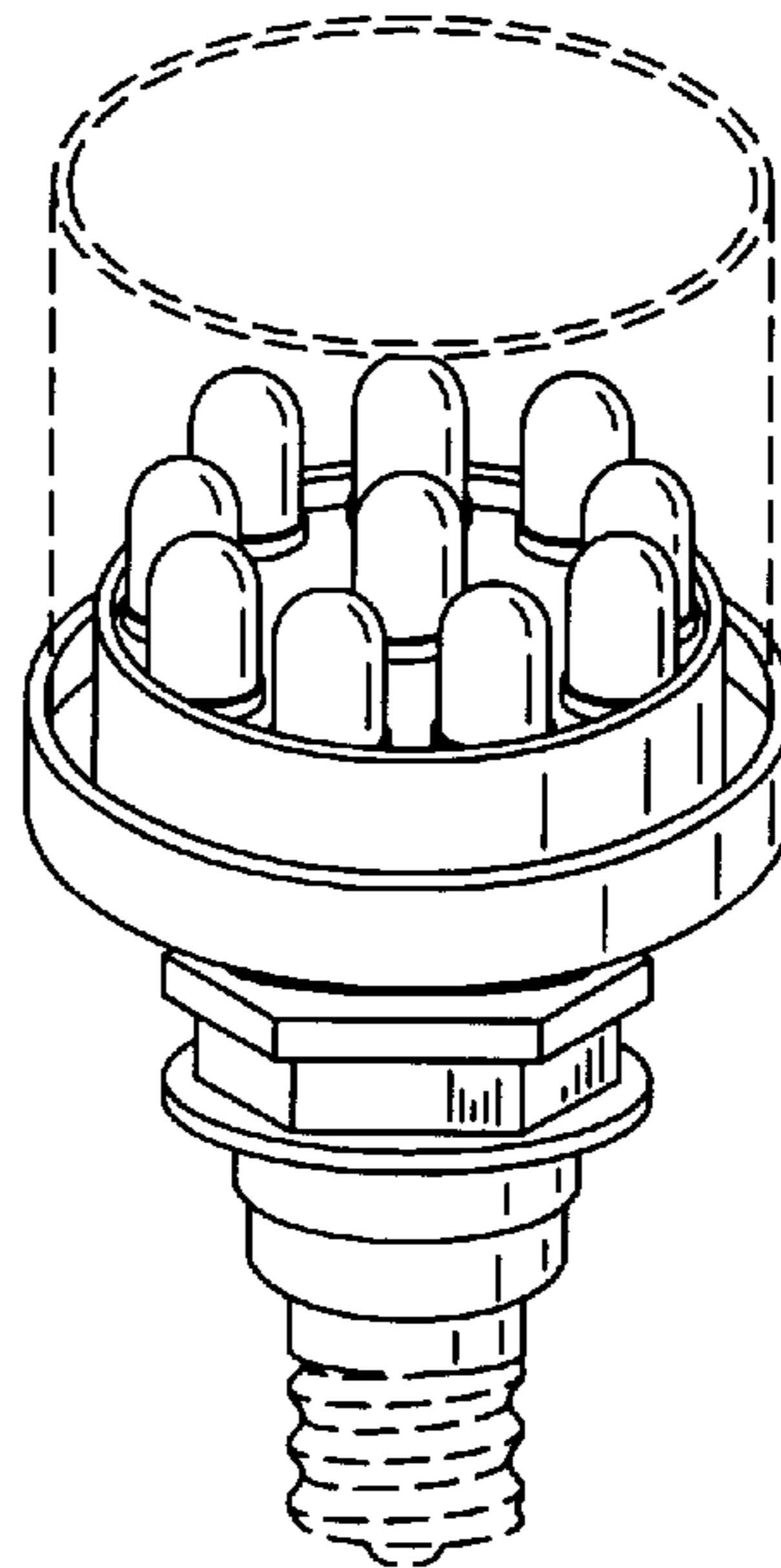


Fig. 10

