



US00D458693S

(12) **United States Design Patent**
Sievert

(10) **Patent No.:** **US D458,693 S**
(45) **Date of Patent:** **** Jun. 11, 2002**

(54) **RETAINING WALL BLOCK**

FOREIGN PATENT DOCUMENTS

(75) Inventor: **Dick J. Sievert**, New Richmond, WI
(US)

GB	336	2/1871
AU	2744/26	7/1927
AU	22397/83	6/1985
AU	548 462	12/1985
AU	67477/81	12/1985
AU	52765/86	8/1986
AU	B-80775/87	4/1988
BE	528788	of 1954
CA	338139	12/1933
CA	531354	10/1958
CA	941626	2/1974
CA	1040452	10/1978

(73) Assignee: **Anchor Wall Systems, Inc.**,
Minnetonka, MN (US)

(**) Term: **14 Years**

(21) Appl. No.: **29/062,137**

(22) Filed: **Nov. 8, 1996**

(51) **LOC (7) Cl.** **25-01**

(52) **U.S. Cl.** **D25/113**

(58) **Field of Search** D25/113-115,
D25/118, 58; 405/284, 286; 52/596, 604-6,
608, 311.1

(List continued on next page.)

OTHER PUBLICATIONS

Anchof Autoclave Product Literature 1990. *Aztech Wall System Installation Guide*, Block Systems, Inc., (1989).
Besser, Technical Data for the Blockmaker, Besser Research and Training Center, pp. 33 and 34 (1962).
Besser, Concrete Paving Stones, Manual No. 8601—Section 5, Besser Company, pp. 1-24 (undated).

(List continued on next page.)

(56) **References Cited**

U.S. PATENT DOCUMENTS

126,547 A	5/1872	Hickcox
228,052 A	5/1880	Frost
468,838 A	2/1892	Steiger
566,924 A	9/1896	Morrin
810,748 A	1/1906	Haller et al.
831,077 A	9/1906	Johnson
847,476 A	3/1907	Hodges
884,354 A	4/1908	Bertrand
916,756 A	3/1909	Grant
1,002,161 A	8/1911	Lambert
1,092,621 A	4/1914	Worner
1,219,127 A	3/1917	Marshall
1,222,061 A	4/1917	Bartells
1,248,070 A	11/1917	Buente
1,285,458 A	11/1918	Strunk
1,287,055 A	12/1918	Lehman
1,330,884 A	2/1920	McDermott
1,414,444 A	5/1922	Straight
1,419,805 A	6/1922	Bigler
1,456,498 A	5/1923	Binns
1,465,608 A	8/1923	McCoy
1,472,917 A	11/1923	Laird
1,534,353 A	4/1925	Besser
1,557,946 A	10/1925	Smith

(List continued on next page.)

Primary Examiner—B J Bullock

(74) *Attorney, Agent, or Firm*—Merchant & Gould P.C.

(57) **CLAIM**

The ornamental design for a retaining wall block, as shown and described.

DESCRIPTION

FIG. 1 is a perspective view of the block of the invention lying on its top to show the lower portion of the front face, right showing the relationship of the proportions of the block front face to the chamfer on the side and bottom edges of the block.

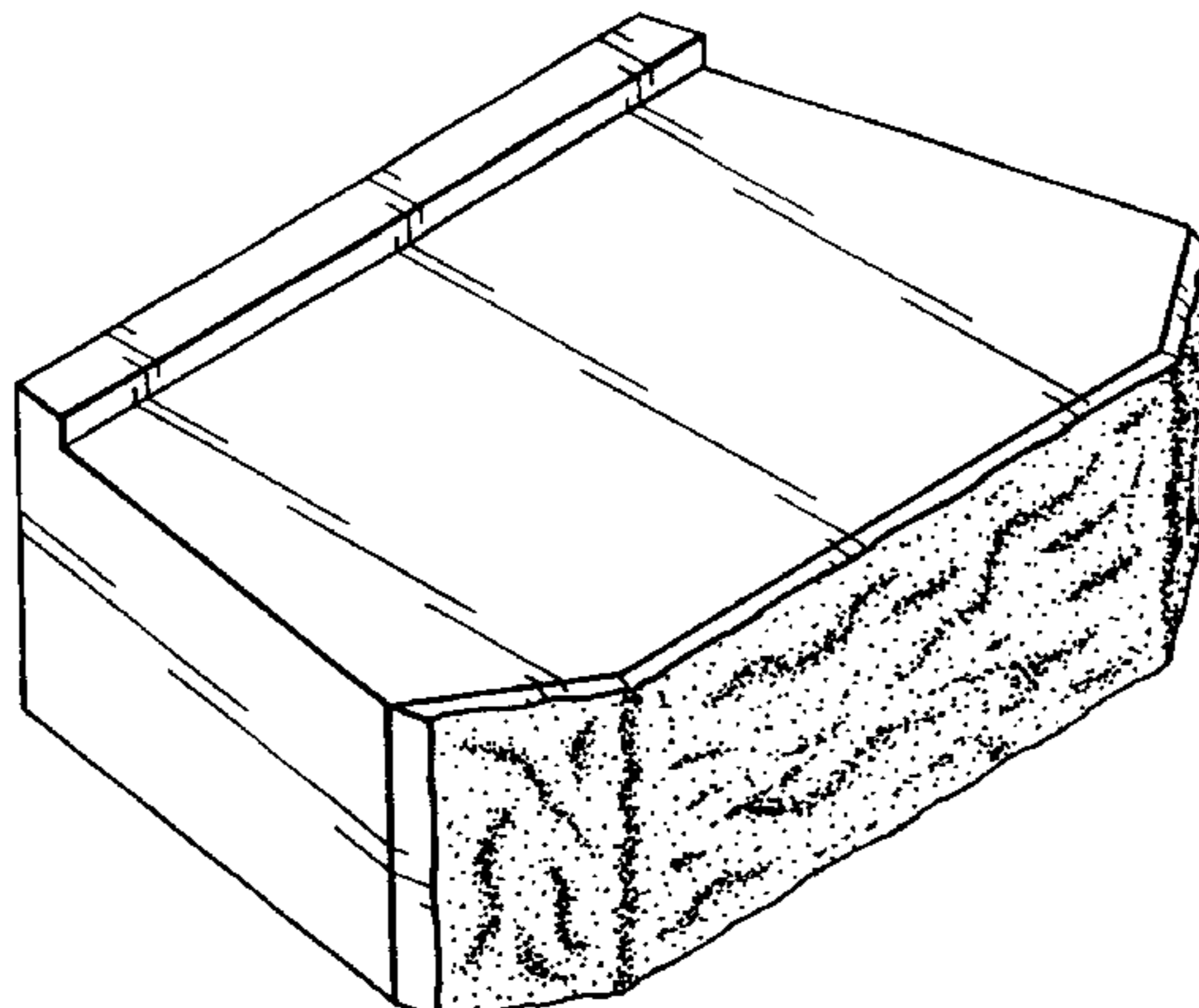
FIG. 2 is a front elevation view of the block shown in FIG. 1.

FIG. 3 is a bottom plan view of the block shown in FIG. 1.

FIG. 4 is a top plan view of the block shown in FIG. 1; and,

FIG. 5 is a side elevation view of the block shown in FIG. 1; the opposite side is a mirror-image.

1 Claim, 3 Drawing Sheets



US D458,693 S

Page 2

U.S. PATENT DOCUMENTS					
			4,193,718 A	3/1980	Wahrendorf et al.
			4,207,718 A	6/1980	Schaaf et al.
			4,208,850 A	6/1980	Collier
			4,214,655 A	7/1980	Bernham et al.
			4,218,206 A	8/1980	Mullins
			4,228,628 A	10/1980	Schlomann
			4,229,123 A	10/1980	Heinzmann
			4,238,105 A	12/1980	West
			4,242,299 A	12/1980	Adams
			4,250,863 A	2/1981	Gagnon et al.
			4,262,463 A	4/1981	Hapel
			4,288,960 A	9/1981	Auras
			4,312,606 A	1/1982	Sarikelle
			4,314,431 A	2/1982	Rabassa
			4,319,440 A	3/1982	Rassias et al.
			4,324,505 A	4/1982	Hammett
			4,335,549 A	6/1982	Dean, Jr.
			4,337,605 A	7/1982	Tudek
			4,372,091 A	2/1983	Brown et al.
			4,380,091 A	4/1983	Lively
			4,380,409 A	4/1983	O'Neill
			4,384,810 A	5/1983	Neumann
			4,426,176 A	1/1984	Terada
			4,426,815 A	1/1984	Brown
			4,449,857 A	5/1984	Davis
			4,454,699 A	6/1984	Strobl
			4,470,728 A	9/1984	Broadbent
			4,490,075 A	12/1984	Risi et al.
			4,496,266 A	1/1985	Ruckstuhl
			4,512,685 A	4/1985	Hegle
			D279,030 S	5/1985	Risi et al.
			4,524,551 A	6/1985	Scheiwiller
			D280,024 S	8/1985	Risi et al.
			4,572,699 A	2/1986	Rinninger
			D284,109 S	6/1986	Seal, Jr.
			4,616,959 A	10/1986	Hilfiker
			4,640,071 A	2/1987	Haener
			4,651,485 A	3/1987	Osborne
			4,658,541 A	4/1987	Haile
			4,659,304 A	4/1987	Day
			4,660,342 A	4/1987	Salisbury
			4,661,023 A	4/1987	Hilfiker
			4,671,706 A	6/1987	Giardini
			4,684,294 A	8/1987	O'Neill
			4,698,949 A	10/1987	Dietrich
			4,711,606 A	12/1987	Leling et al.
			4,721,847 A	1/1988	Leverenz
			4,726,567 A	2/1988	Greenberg
			4,728,227 A	3/1988	Wilson et al.
			4,738,059 A	4/1988	Dean, Jr.
			D295,788 S	5/1988	Forsberg
			D295,790 S	5/1988	Forsberg
			D296,007 S	5/1988	Forsberg
			4,745,720 A	5/1988	Taylor
			D296,365 S	6/1988	Forsberg
			D297,464 S	8/1988	Forsberg
			D297,574 S	9/1988	Forsberg
			D297,767 S	9/1988	Forsberg
			4,770,218 A	9/1988	Duerr
			D298,463 S	11/1988	Forsberg
			4,784,821 A	11/1988	Leopold
			D299,067 S	12/1988	Forsberg
			D299,069 S	12/1988	Risi et al.
			4,802,320 A	2/1989	Forsberg
			4,802,836 A	2/1989	Whissell
			D300,253 S	3/1989	Forsberg
			D300,254 S	3/1989	Forsberg
			4,815,897 A	3/1989	Risi et al.
			4,824,293 A	4/1989	Brown et al.
			D301,064 S	5/1989	Forsberg
			4,825,619 A	5/1989	Forsberg
1,695,997 A	12/1928	Evers et al.			
1,727,363 A	9/1929	Bone			
1,733,790 A	10/1929	Gilman			
1,751,028 A	3/1930	Caswell et al.			
1,773,579 A	8/1930	Flath			
1,872,522 A	8/1932	Stuckey			
1,907,053 A	5/1933	Flath			
1,993,291 A	5/1935	Vermont			
2,011,531 A	8/1935	Tranchell			
2,034,851 A	3/1936	Wichmann			
2,094,167 A	9/1937	Evers			
2,113,076 A	4/1938	Bruce			
2,121,450 A	6/1938	Sentrop			
2,149,957 A	3/1939	Dawson			
2,197,960 A	4/1940	Alexander			
2,219,606 A	10/1940	Schoick			
2,235,646 A	3/1941	Schaffer			
2,313,363 A	3/1943	Schmitt			
2,371,201 A	3/1945	Wells			
2,570,384 A	10/1951	Russell			
2,593,606 A	4/1952	Price			
2,683,916 A	7/1954	Kelly			
2,881,753 A	4/1959	Entz			
2,882,689 A	4/1959	Huch et al.			
2,892,340 A	6/1959	Fort			
2,925,080 A	2/1960	Smith			
2,963,828 A	12/1960	Belliveau			
3,036,407 A	5/1962	Dixon			
3,185,432 A	5/1965	Hager, Jr.			
3,204,316 A	9/1965	Jackson			
3,274,742 A	9/1966	Paul, Jr. et al.			
3,378,885 A	4/1968	Dart			
3,386,503 A	6/1968	Corning et al.			
3,390,502 A	7/1968	Carroll			
3,392,719 A	7/1968	Clanton et al.			
3,430,404 A	3/1969	Muse			
3,488,964 A	1/1970	Kubo			
3,557,505 A	1/1971	Kaul			
3,631,682 A	1/1972	Hilfiker et al.			
3,659,077 A	4/1972	Olson			
3,667,186 A	6/1972	Kato			
3,754,499 A	8/1973	Heisman et al.			
3,783,566 A	1/1974	Nielson			
3,888,060 A	6/1975	Haener			
D237,704 S	11/1975	Lane			
3,925,994 A	12/1975	Broms et al.			
3,932,098 A	1/1976	Huber et al.			
3,936,987 A	2/1976	Calvin			
3,936,989 A	2/1976	Hancock			
3,953,979 A	5/1976	Kurose			
3,981,038 A	9/1976	Vidal			
3,995,434 A	12/1976	Kato et al.			
4,001,988 A	1/1977	Riefler			
4,016,693 A	4/1977	Warren			
4,023,767 A	5/1977	Fontana			
4,051,570 A	10/1977	Hilfiker			
4,067,166 A	1/1978	Sheahan			
4,083,190 A	4/1978	Pey			
4,098,040 A	7/1978	Riefler			
4,098,865 A	7/1978	Repasky			
4,107,894 A	8/1978	Mullins			
4,110,949 A	9/1978	Cambiuzzi et al.			
4,114,773 A	9/1978	Sekiguchi			
4,124,961 A	11/1978	Habegger			
4,126,979 A	11/1978	Hancock			
4,132,492 A	1/1979	Jenkins			
4,175,888 A	11/1979	Ijima			
4,186,540 A	2/1980	Mullins			
4,187,069 A	2/1980	Mullins			
4,190,384 A	2/1980	Neumann			

US D458,693 S

Page 3

4,860,505 A	8/1989	Bender	EP	0 215 991	9/1985
4,884,921 A	12/1989	Smith	EP	0 322 668	12/1988
4,896,472 A	1/1990	Hunt	EP	0 362 110	4/1990
4,896,999 A	1/1990	Ruckstuhl	EP	0 490 534	6/1992
4,909,010 A	3/1990	Gravier	FR	392 474	11/1908
4,909,717 A	3/1990	Pardo	FR	1 360 872	4/1963
4,914,876 A	4/1990	Forsberg	FR	2 228 900	5/1974
4,936,712 A	6/1990	Glickman	FR	2 243 304	9/1974
D311,444 S	10/1990	Forsberg	FR	2 343 871	5/1976
4,964,761 A	10/1990	Rossi	FR	2 422 780	12/1978
4,965,979 A	10/1990	Larrivee et al.	FR	2 409 351	6/1979
4,990,032 A	2/1991	Smith	FR	2 463 237	8/1979
D316,904 S	5/1991	Forsberg	FR	2 465 032	9/1979
D317,048 S	5/1991	Forsberg	FR	2 476 179	8/1981
D317,209 S	5/1991	Forsberg	FR	2561684	9/1985
5,017,049 A	5/1991	Sievert	FR	2 622 227	12/1989
5,031,376 A	7/1991	Bender et al.	GB	107 338	7/1917
D319,885 S *	9/1991	Blomquist et al. D25/113	GB	248234	3/1926
5,044,834 A	9/1991	Janopaul, Jr.	GB	420667	of 1934
5,062,610 A	11/1991	Woolford et al.	GB	536434	of 1940
5,104,594 A	4/1992	Hillemeier et al.	GB	537153	6/1941
5,125,815 A	6/1992	Kargarzadeh et al.	GB	944066	12/1963
5,139,721 A	8/1992	Castonguay et al.	GB	970 595	9/1964
5,158,132 A	10/1992	Guillemot	GB	1 385 207	1/1975
5,161,918 A	11/1992	Hodel	GB	1 386 088	3/1975
RE34,314 E	7/1993	Forsberg	GB	1 477 139	6/1977
5,249,950 A	10/1993	Woolford	GB	2 091 775	8/1982
5,261,806 A	11/1993	Pleasant	GB	2 127 872	4/1984
5,294,216 A	3/1994	Sievert	GB	2 213 095	8/1989
5,337,527 A	8/1994	Wagenaar	IT	341611	of 1936
5,353,569 A	10/1994	Rodrique	IT	456776	4/1950
5,421,034 A	6/1995	Keune	IT	459942	10/1950
5,421,135 A	6/1995	Stevens et al.	IT	0709599	6/1966
D363,787 S *	10/1995	Powell D25/118	NZ	92167	7/1948
5,484,236 A	1/1996	Gravier	NZ	151299	4/1969
5,490,363 A	2/1996	Woolford	NZ	218830	9/1989
5,505,034 A	4/1996	Dueck	NZ	215196	12/1989
5,540,525 A *	7/1996	Miller et al. 405/284	NZ	24781	5/1993
5,653,558 A	8/1997	Price	NZ	25131	6/1994
5,688,079 A	11/1997	Bolduc et al.	NZ	25132	6/1994
5,704,183 A	1/1998	Woolford	NZ	25133	6/1994
			NZ	27313	6/1996
			NZ	27314	6/1996
			NZ	27315	6/1996
			NZ	27316	6/1996
			NZ	27317	6/1996
			NZ	27318	6/1996
			NZ	27346	9/1996
			NZ	27675	9/1996
			NZ	27676	9/1996
			NZ	27677	9/1996
			SU	678160	12/1977

FOREIGN PATENT DOCUMENTS

CA	1065154	10/1979
CA	Des. 47747	1/1981
CA	Des. 50020	7/1982
CA	Des. 51160	4/1983
CA	Des. 51313	5/1983
CA	1182295	2/1985
CA	1188116	6/1985
CA	1194703	10/1985
CA	1197391	12/1985
CA	1204296	5/1986
CA	Des. 62875	4/1989
CA	Des. 63365	5/1989
CA	Des. 63366	5/1989
CA	Des. 65896	4/1990
CA	Des. 66760	8/1990
CA	2012286	9/1991
CH	205452	9/1939
CH	657 172	8/1986
CH	669 001	2/1989
DE	22 59 654	6/1974
DE	18 11 932	6/1978
DE	27 55 833	7/1978
DE	27 19 107	11/1978
DE	34 01 629	7/1984
DE	90 15 196	2/1991
EP	0 039 372	11/1981
EP	0 130 921	1/1985
EP	0 170 113	7/1985

OTHER PUBLICATIONS

Besser, Parts and Equipment, Besser Company, pp. 1-80 (before 1990).
 Besser Accessories Catalog (1984).
 Bulletin 7062, Jul. 1, 1994.
 Columbia Machine Mold Descriptions (date unknown).
 Creative Alternatives, BLOCK Systems Incorporated, Concrete Ideas (1989).
Diamond Block Test Report to University of Wisconsin, Platteville (1990).
 Diamond Wall System Installation Guide, DIAMOND Wall System, Block Systems, Inc. (1989).
Diamond Wall Systems: The Cutting Edge, Anchor Block Co. (date unknown).
EZ Wall Systems Product Literature, Rockwood Retaining Wall Systems, Inc. (date unknown).
Garden Wall Product Literature (1991).

Handy-Stone Retaining Wall System Product Literature (date unknown).

Installation & Design Manual, ROCKWOOD Classic, The one-piece easy to use system, Rockwood Retaining Walls, Inc. (undated).

Johnson Block Product Literature (date unknown).

Kawano Cement Brochure (date unknown).

Keystone International Compac Unit Product Literature (1992).

Keystone Retaining Wall Systems Product Literature (1992).

Krehling Industries article, Florida block and r/m plant relies on admixtures (undated).

Modular Concrete Block, the Besser Co. (date unknown).

Orco Block Co., *Split Face Block* Product Literature (date unknown).

Paving Stone: New Lock With Old World Charm, the Besser Co. (date unknown).

PCT International Search Report (International Appl. No. PCT/US93/09559) (5 pages). Mar. 21, 1994.

PISA II, Interlocking Retaining Wall System, Interlock Paving Company, (1988).

Profile HEX Masonry Units literature.

A Review of Paver Production on Besser Block Machines, Lucas E. Pfeifferberger, pp. 33-37, (1984) (2 parts).

Single-element retaining wall system is ideal for block producers, Robert L. Hubler, Jr., Sep., 1983.

Various Diamond Wall System 4 and 4.4 Concrete Masonry Units Tech Spec's, Anchor Block (1988, 1989).

Versa Lock Product Literature (date unknown).

Windsor Stone Product Literature, Block Systems, Inc. (1991).

Sweet's Engineering & Retrofit Cat.; Sec 02276/AND; p. 1 and 2; Diamond Beveled Block, 1994.*

* cited by examiner

FIG. 1

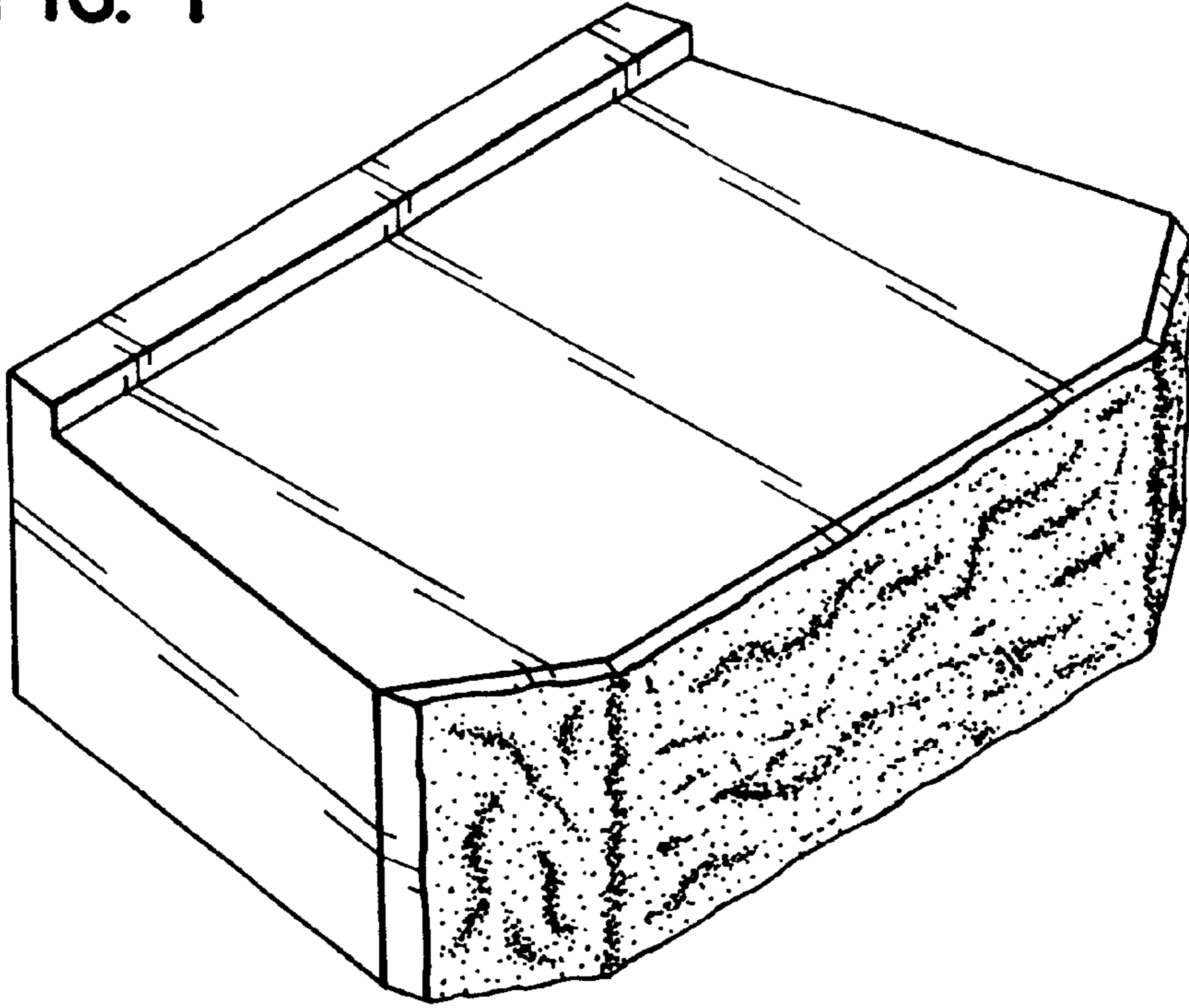


FIG. 2



FIG. 3

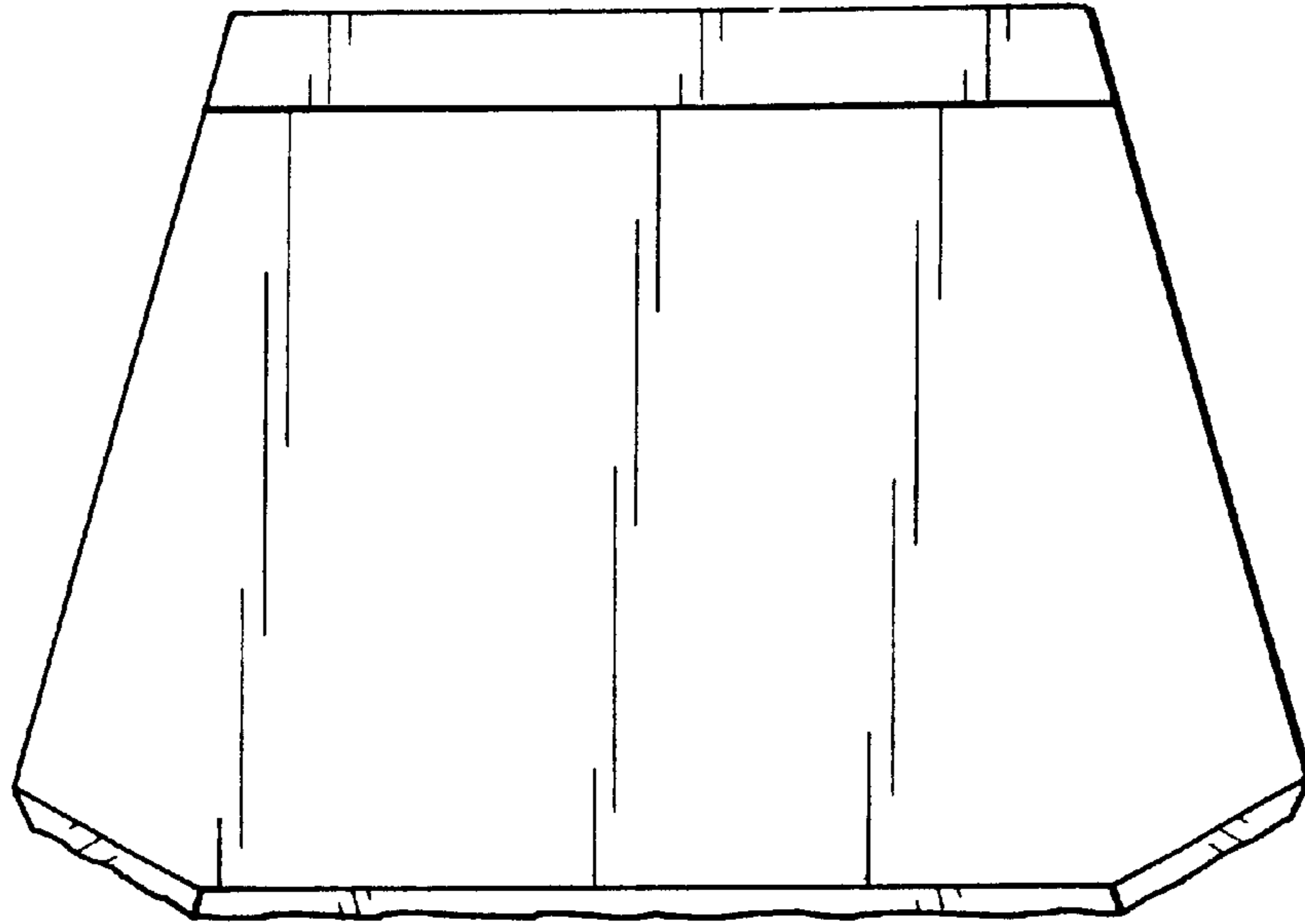


FIG. 4

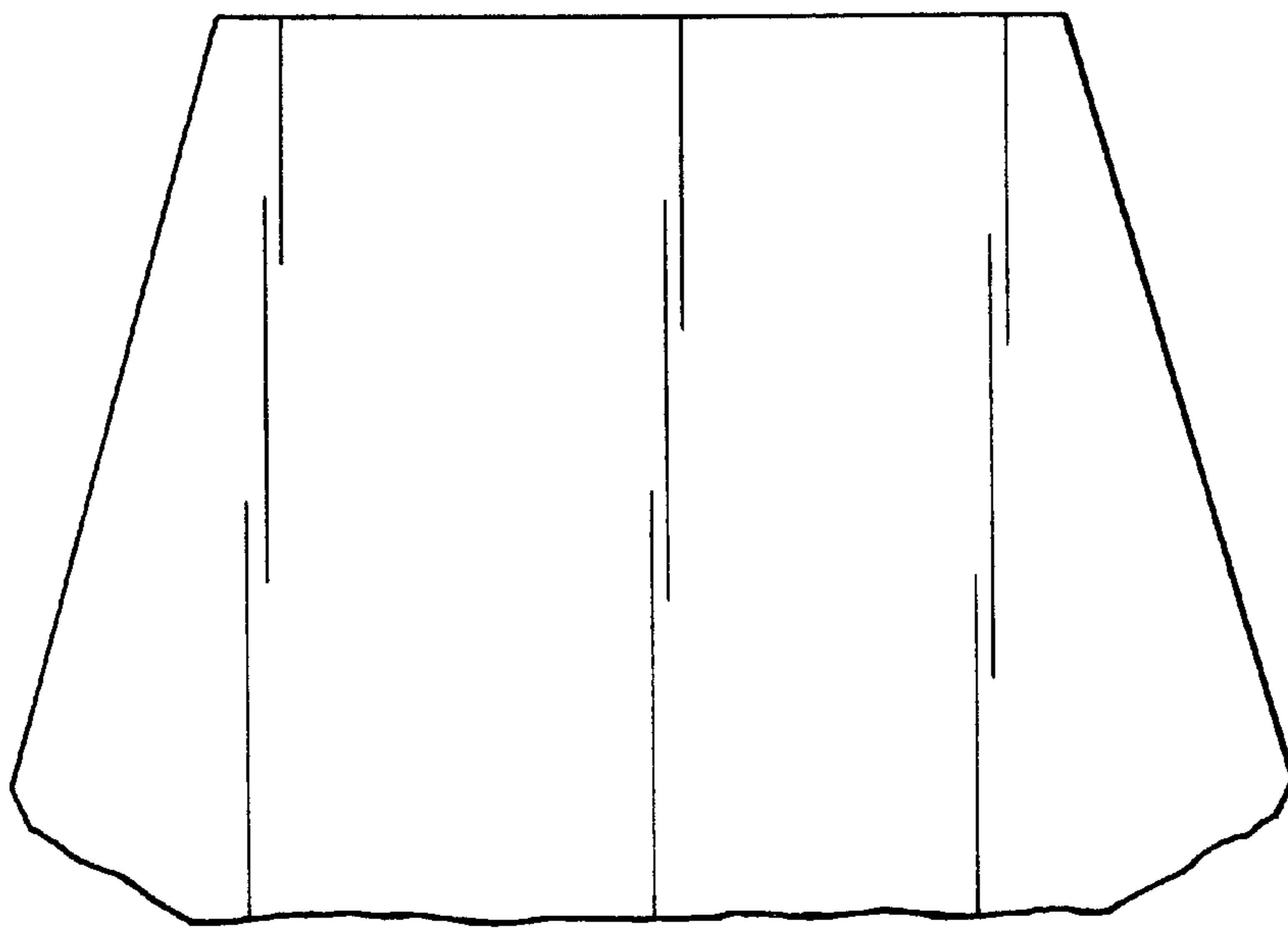


FIG. 5

