



US00D458691S

(12) **United States Design Patent**
Burkart et al.

(10) **Patent No.:** **US D458,691 S**
(45) **Date of Patent:** **** Jun. 11, 2002**

(54) **FENCE POST ACCESSORY CONNECTOR**

(75) Inventors: **Michael G. Burkart**, Denver; **Jeffrey G. Herion**, Watkins, both of CO (US)

(73) Assignee: **Stallion Fence Accessories**, Denver, CO (US)

(**) Term: **14 Years**

(21) Appl. No.: **29/149,534**

(22) Filed: **Oct. 10, 2001**

(51) **LOC (7) Cl.** **25-02**

(52) **U.S. Cl.** **D25/61**

(58) **Field of Search** D25/133, 51; 256/65, 256/47; 403/185, 192, 202, 286, 292, 303, 408.1

(56) **References Cited**

U.S. PATENT DOCUMENTS

D255,472 S	*	6/1980	Gabriel	D25/61
5,149,149 A	*	9/1992	Wu	403/286
5,419,536 A		5/1995	Bender	256/1
5,660,376 A		8/1997	West	256/22
5,853,167 A		12/1998	West et al.	256/66
5,971,365 A	*	10/1999	Pigott et al.	256/65
6,076,807 A		6/2000	Spence	256/1

OTHER PUBLICATIONS

Stallion Fence Accessories Brochure, Nov. 2000, 13 Pages.
Intermatic Malibu, "Sun-Powered Solar Accent Lighting"
Brochure, Publication Unknown, 6 Pages.

* cited by examiner

Primary Examiner—Doris Clark

(74) *Attorney, Agent, or Firm*—Marsh Fischmann & Breyfogle LLP

(57) **CLAIM**

The ornamental design for a fence post accessory connector, as shown and described.

DESCRIPTION

FIG. 1 is a perspective view of the fence post accessory connector;

FIG. 2 is a first side view of the fence post accessory connector;

FIG. 3 is a second side view of the fence post accessory connector;

FIG. 4 is a front view of the fence post accessory connector;

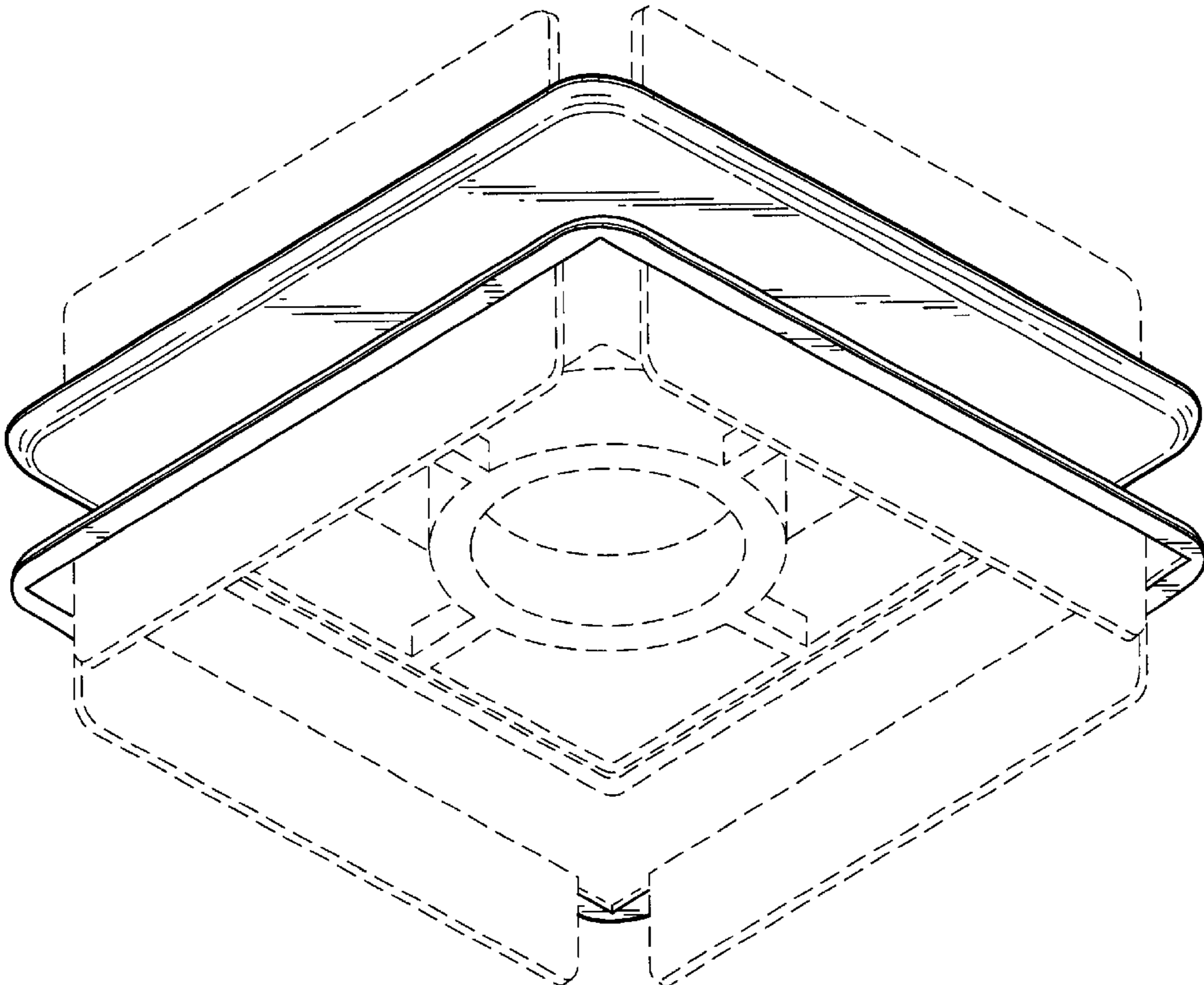
FIG. 5 is a rear view of the fence post accessory connector;

FIG. 6 is a top view of the fence post accessory connector; and,

FIG. 7 is a bottom view of the fence post accessory connector.

The broken lines are for illustrative purposes only and form no part of the claimed design.

1 Claim, 4 Drawing Sheets



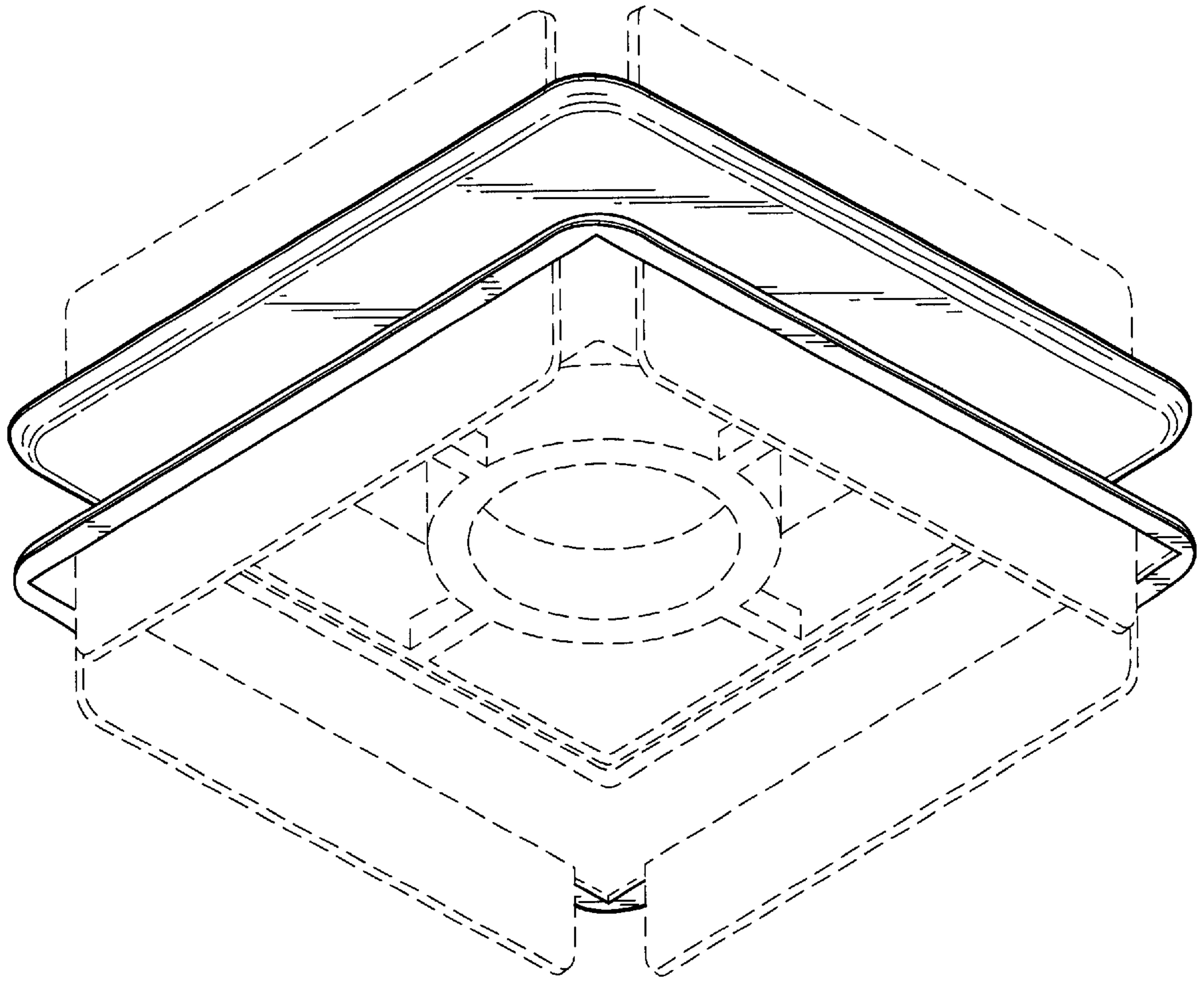


FIG.1

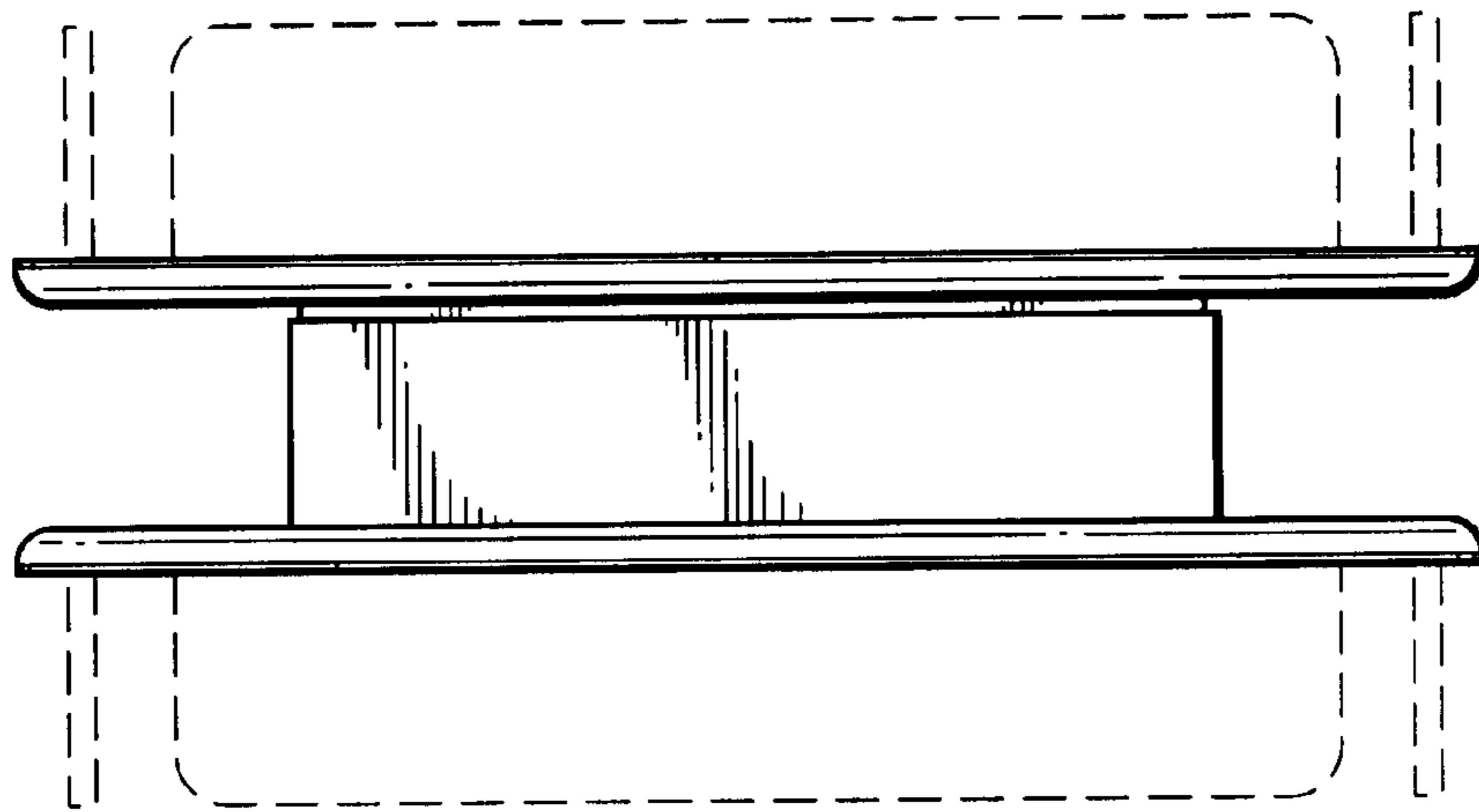


FIG. 2

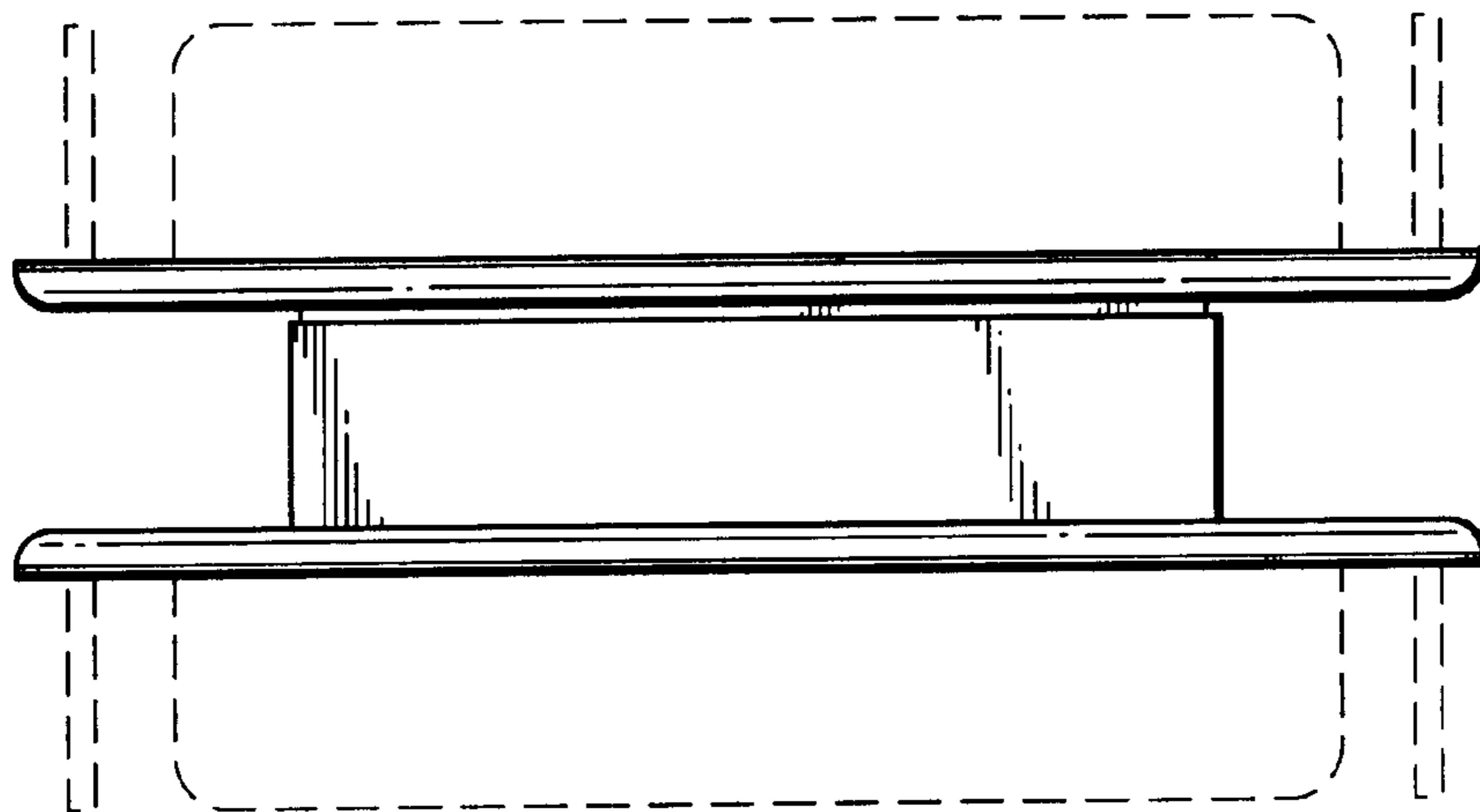


FIG. 3

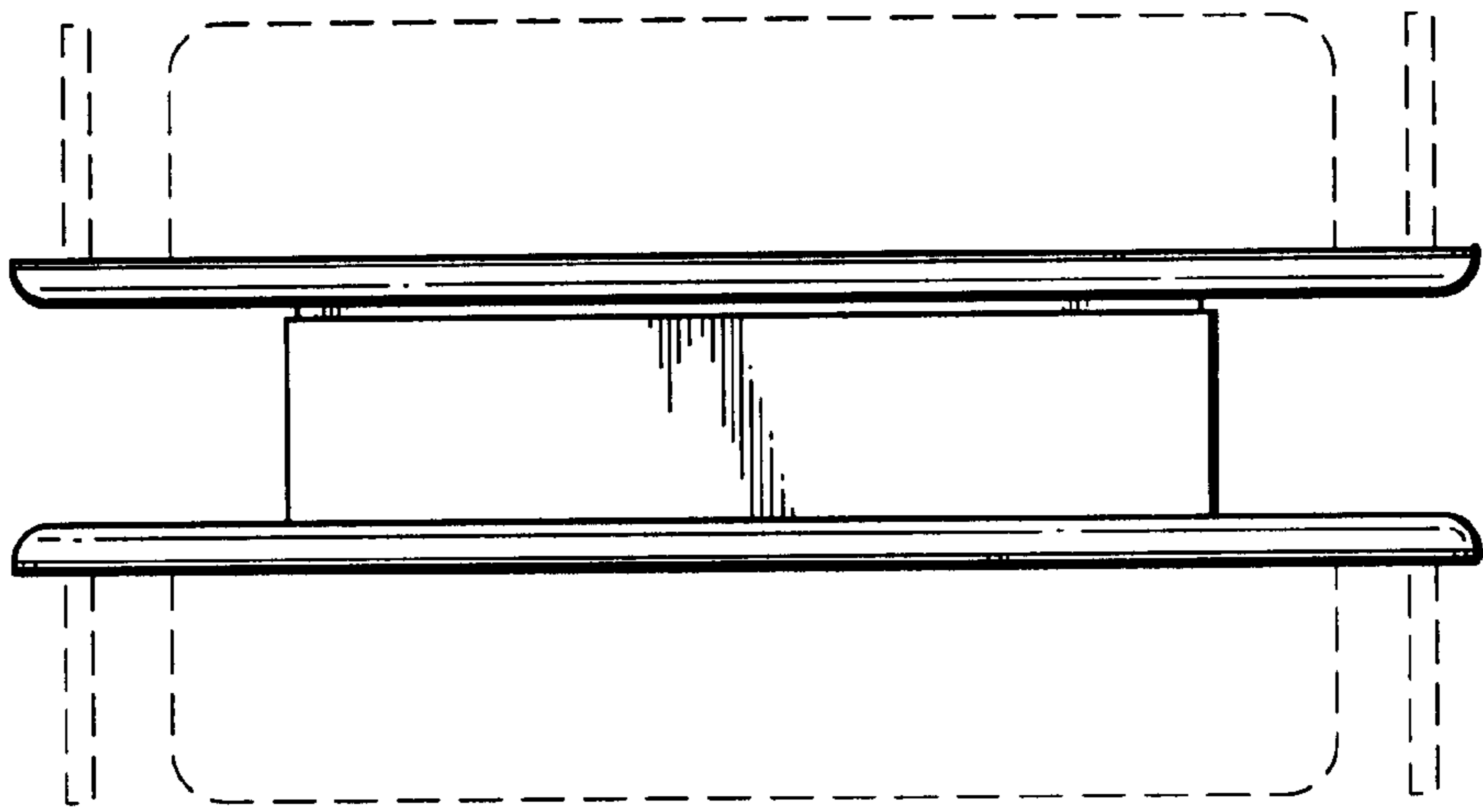


FIG. 4

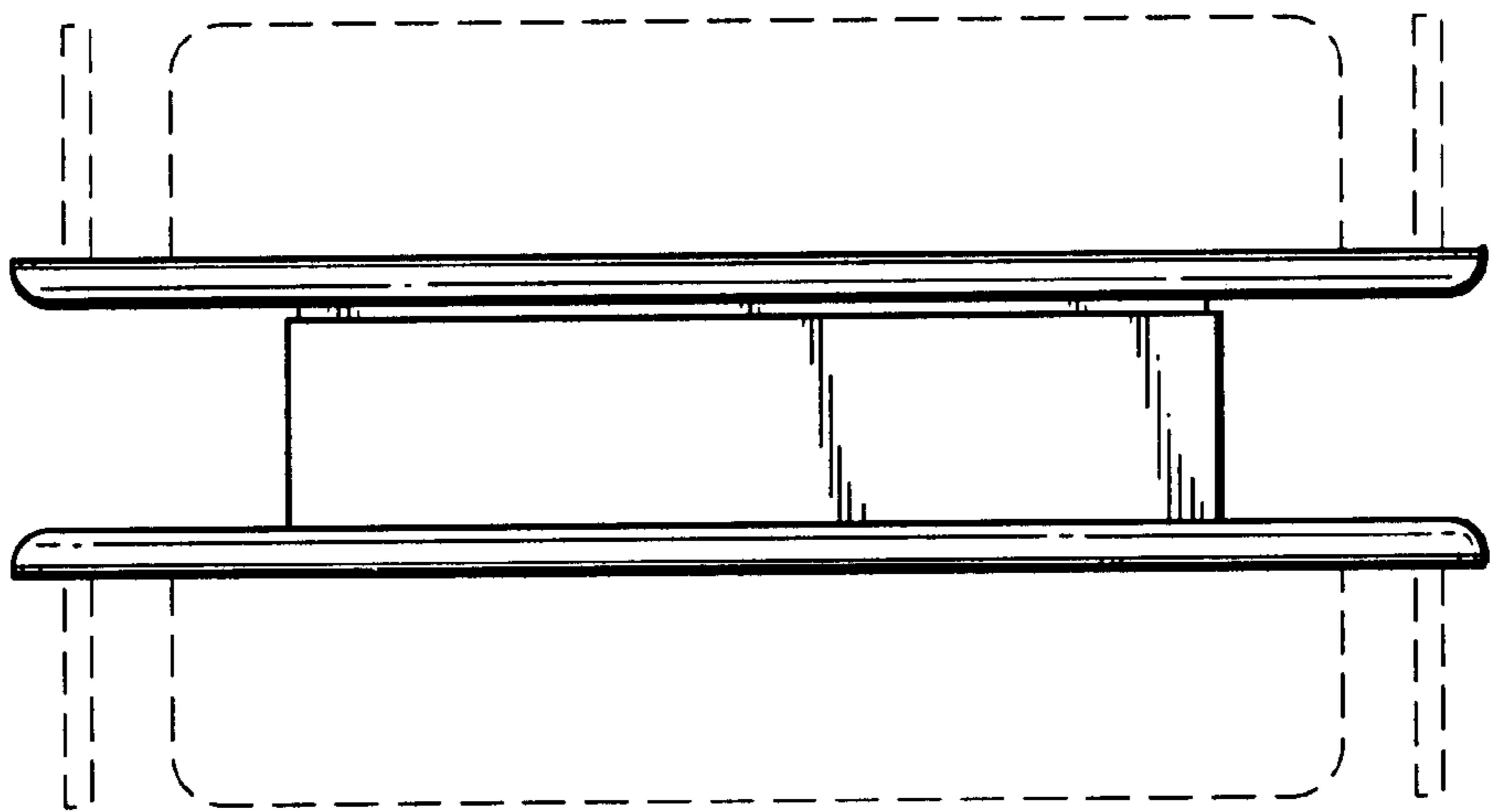


FIG. 5

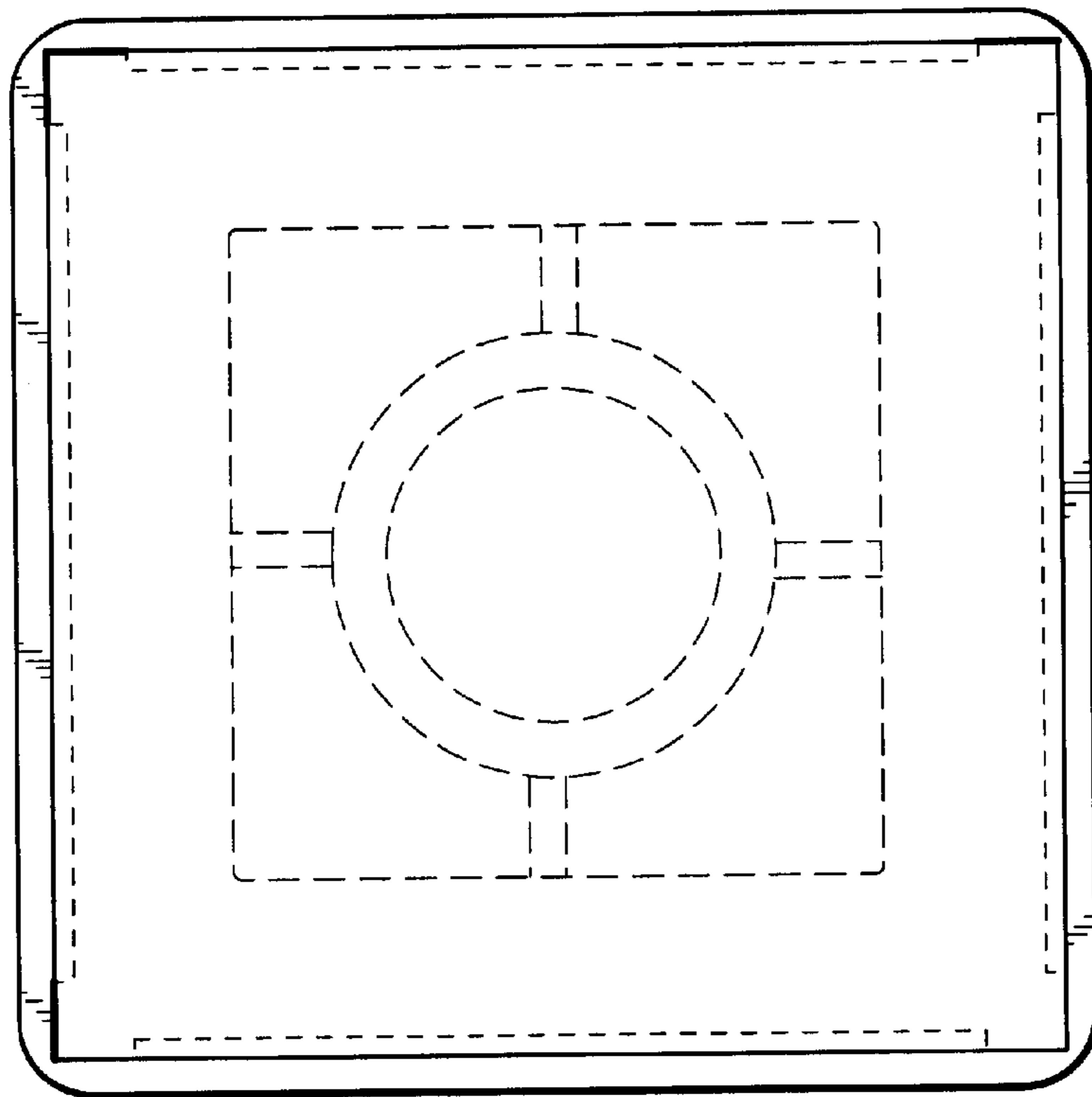


FIG. 6

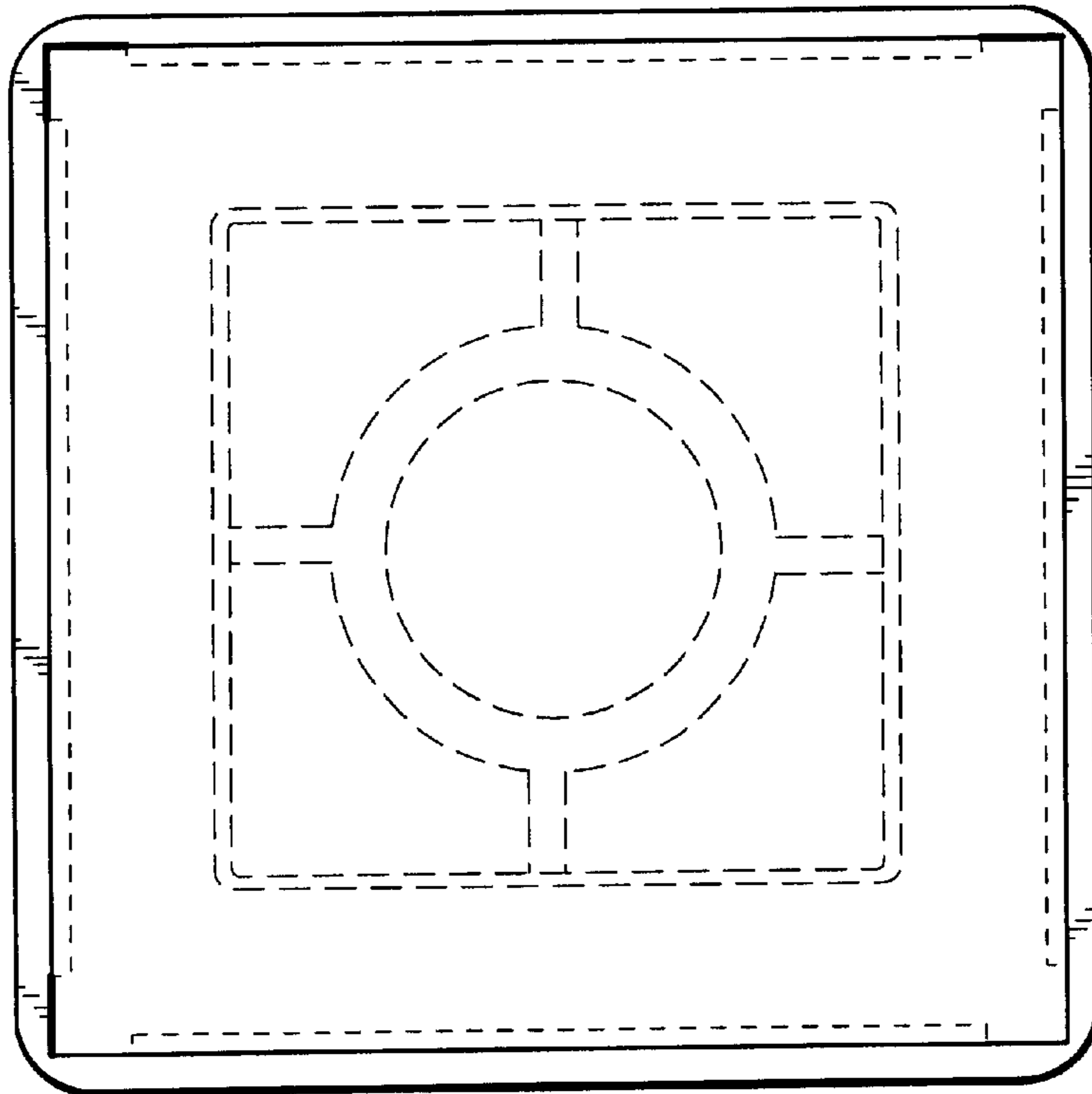


FIG. 7