



US00D458689S

(12) **United States Design Patent**  
**Wang**

(10) **Patent No.:** **US D458,689 S**

(45) **Date of Patent:** **\*\* Jun. 11, 2002**

(54) **TWO TIER GAZEBO**

(75) Inventor: **Leo Chi-Hong Wang**, Arcadia, CA (US)

(73) Assignee: **DC America**, Irwindale, CA (US)

(\*\*) Term: **14 Years**

(21) Appl. No.: **29/147,124**

(22) Filed: **Aug. 21, 2001**

(51) **LOC (7) Cl.** ..... **25-02**

(52) **U.S. Cl.** ..... **D25/56; D25/1**

(58) **Field of Search** ..... **D25/1; 135/87, 135/908; 52/36.1**

(56) **References Cited**

**U.S. PATENT DOCUMENTS**

D296,593 S \* 7/1988 Alpert ..... D25/1  
D385,969 S \* 11/1997 Kievit ..... D25/56

\* cited by examiner

*Primary Examiner*—Doris Clark

(74) *Attorney, Agent, or Firm*—Thomas I. Rozsa; Tony D. Chen

(57) **CLAIM**

The ornamental design for a two tier gazebo, as shown and described.

**DESCRIPTION**

FIG. 1 is a perspective view of a two tier gazebo, showing my new design;

FIG. 2 is a top plan view thereof;

FIG. 3 is a bottom plan view thereof;

FIG. 4 is a side elevational view thereof, all of the sides being identical;

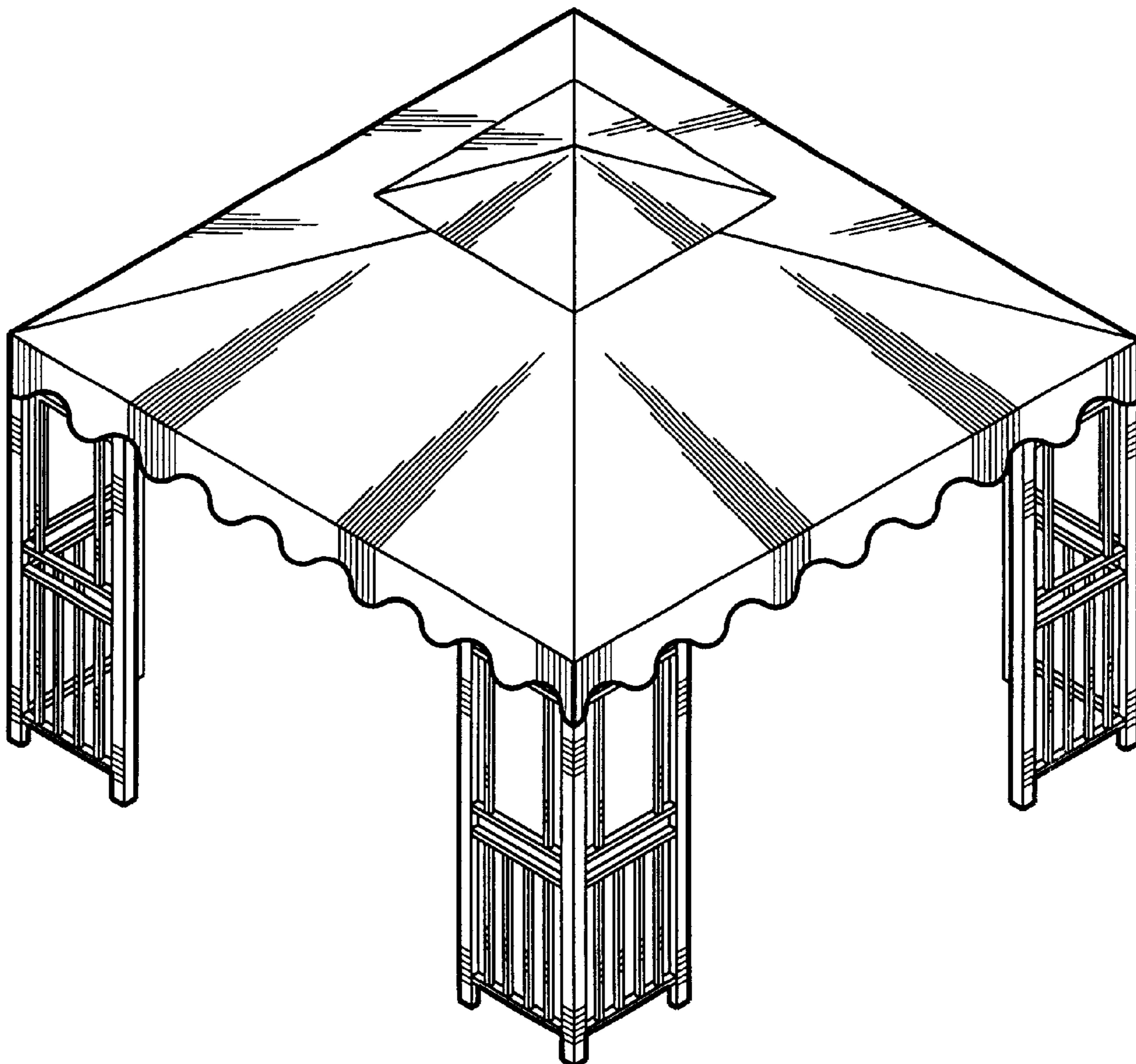
FIG. 5 is a perspective view of a second embodiment of a two tier gazebo, showing my new design;

FIG. 6 is a top plan view thereof;

FIG. 7 is a bottom plan view thereof; and,

FIG. 8 is a side elevational view thereof, all the sides being identical.

**1 Claim, 4 Drawing Sheets**



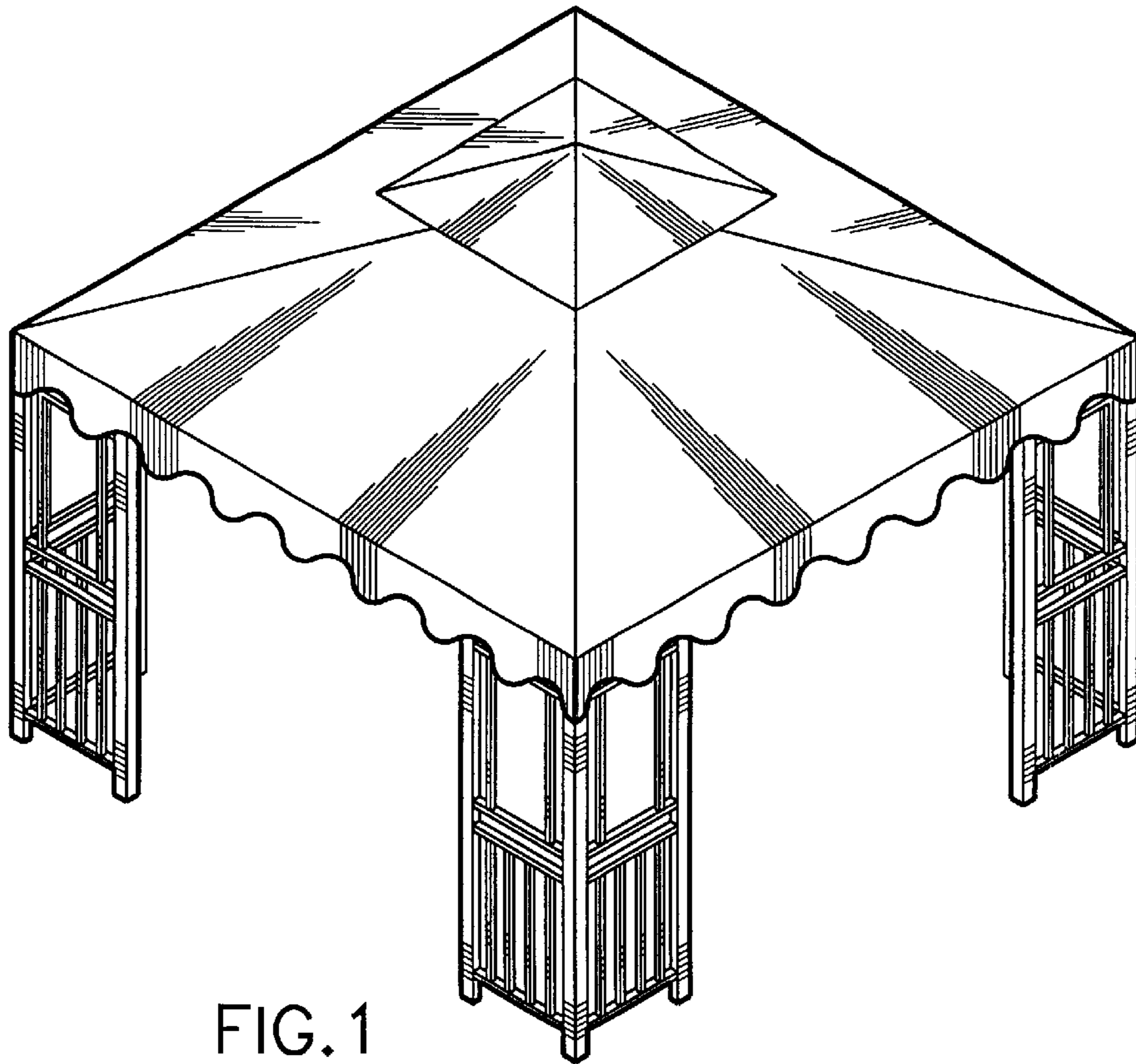


FIG. 1

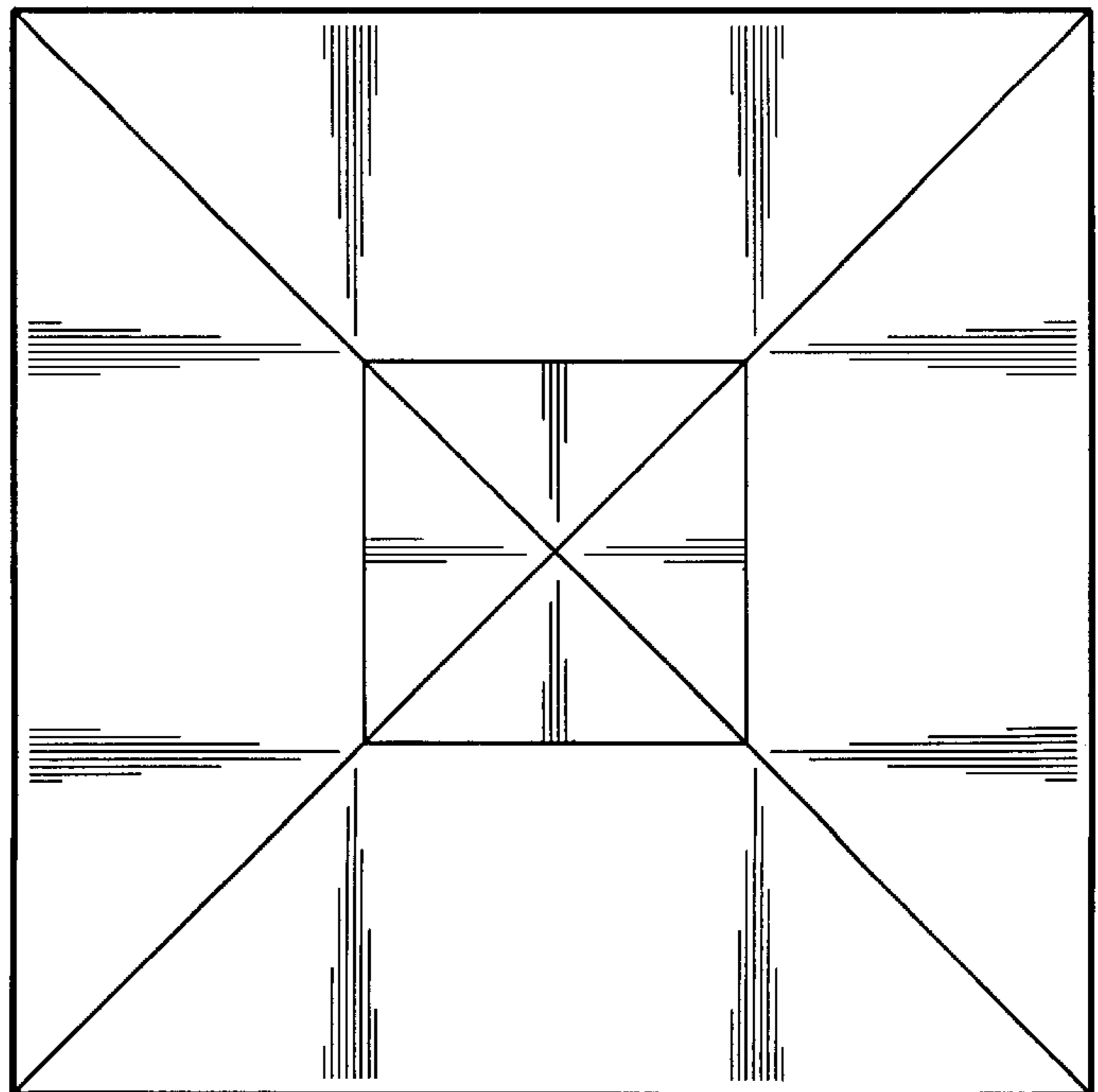


FIG. 2

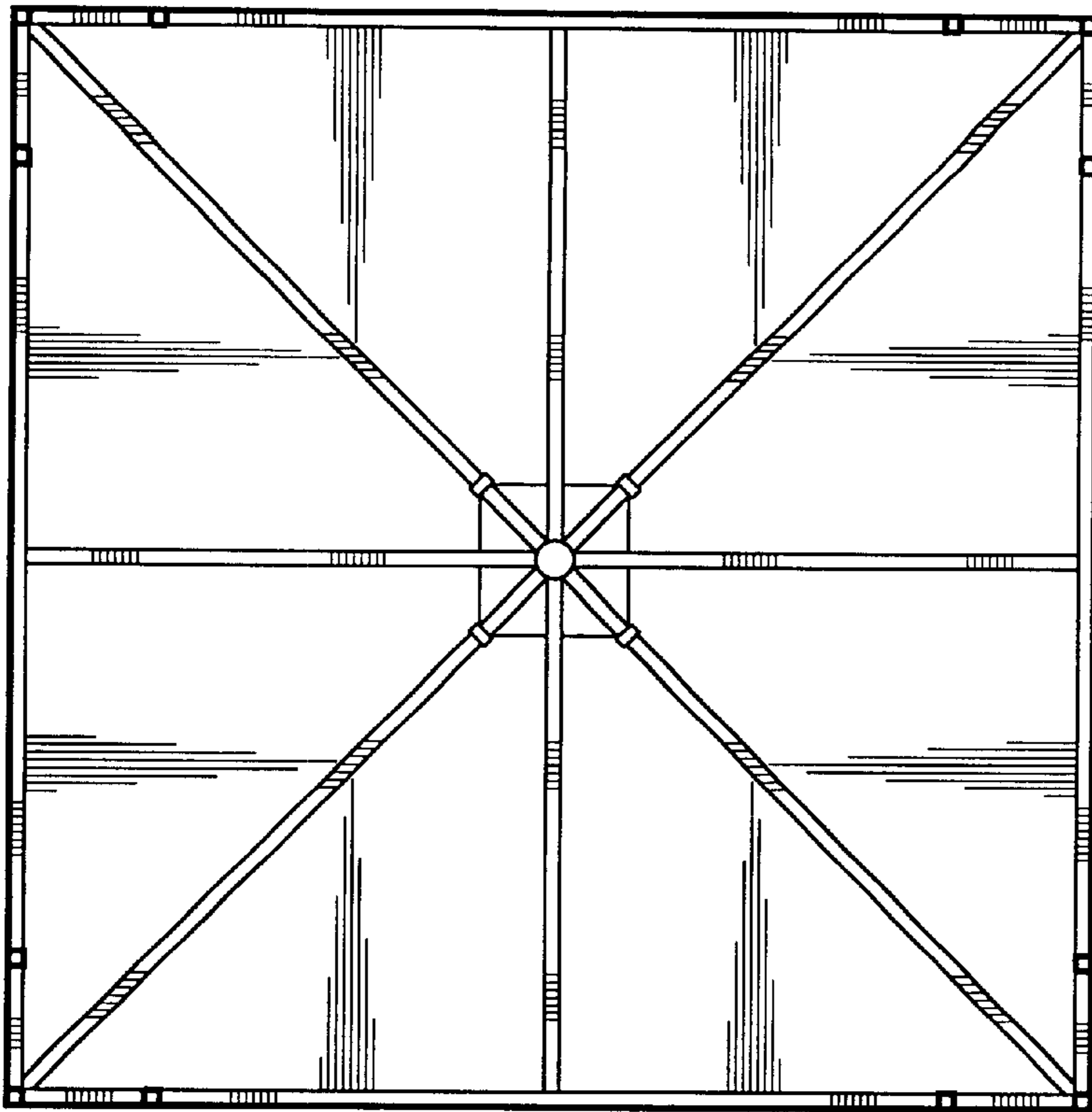


FIG. 3

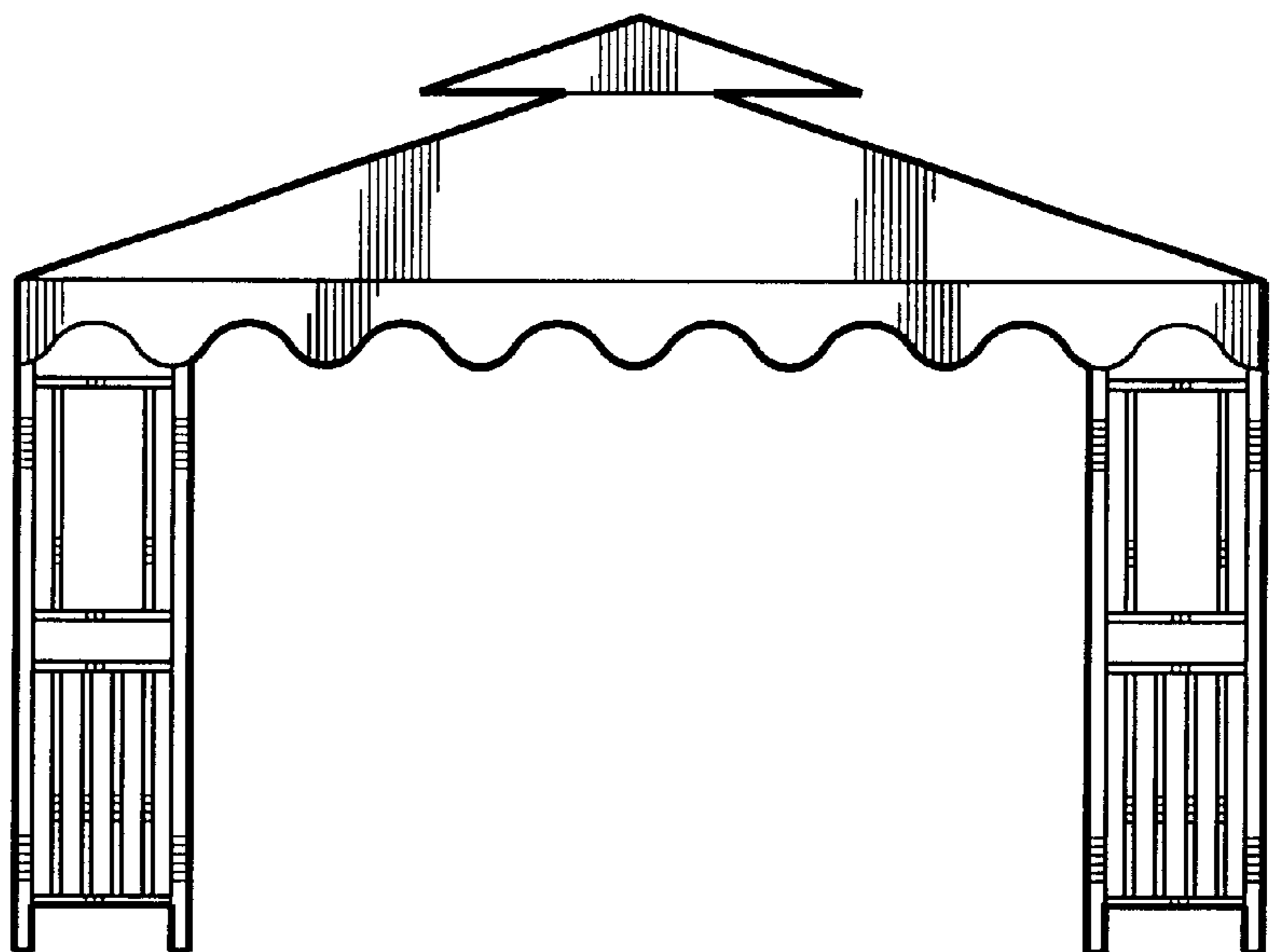
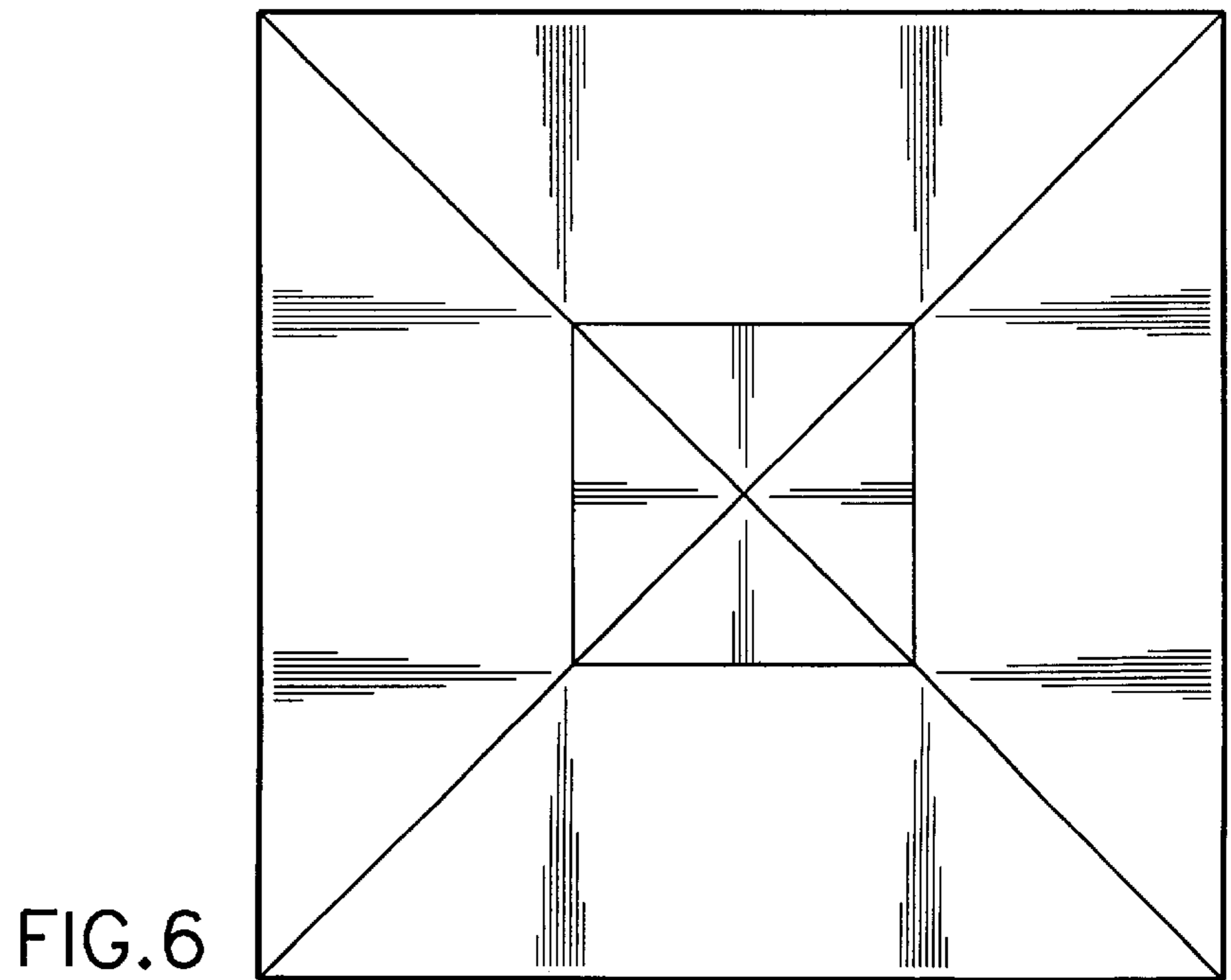
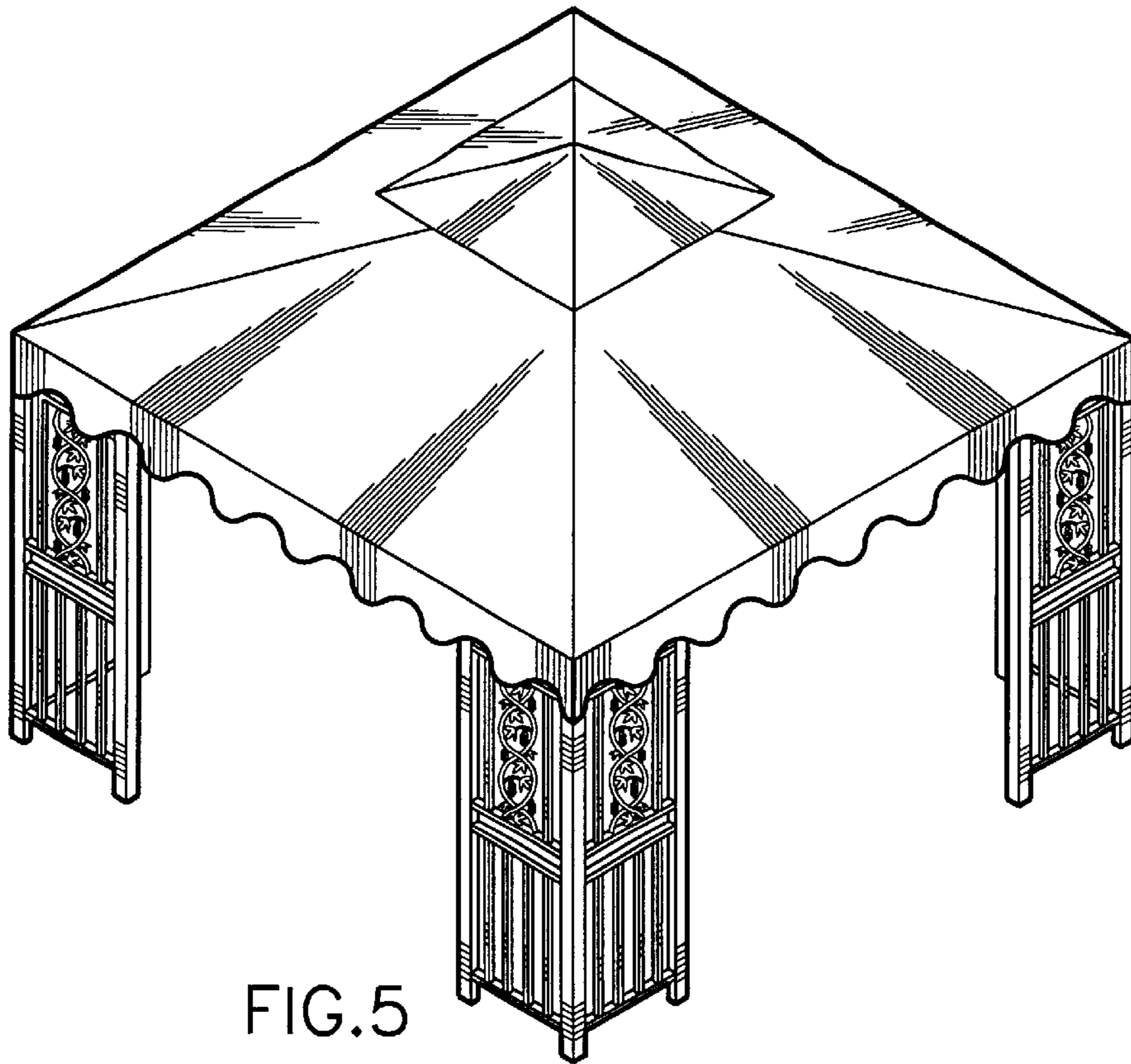


FIG. 4





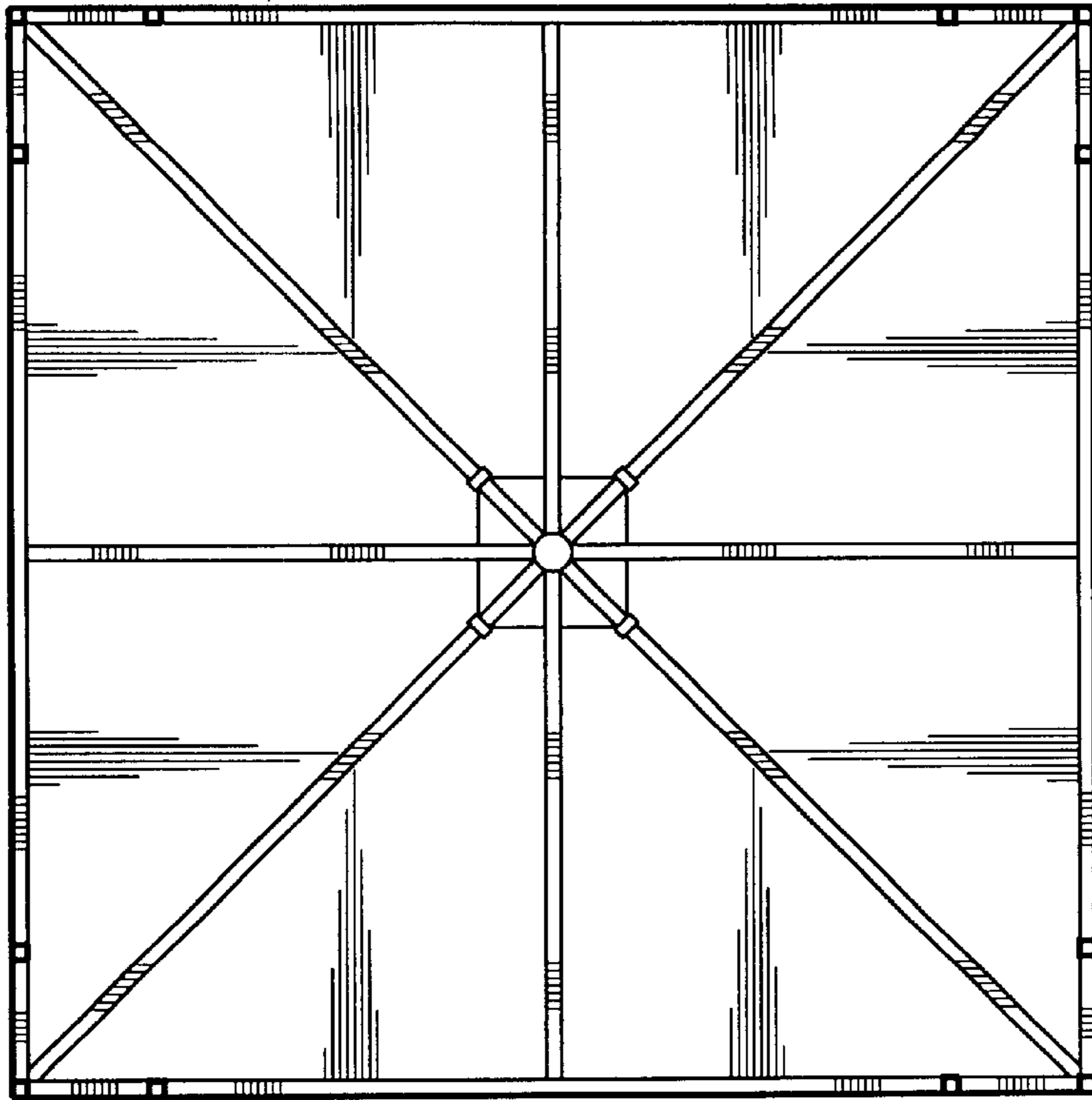


FIG. 7

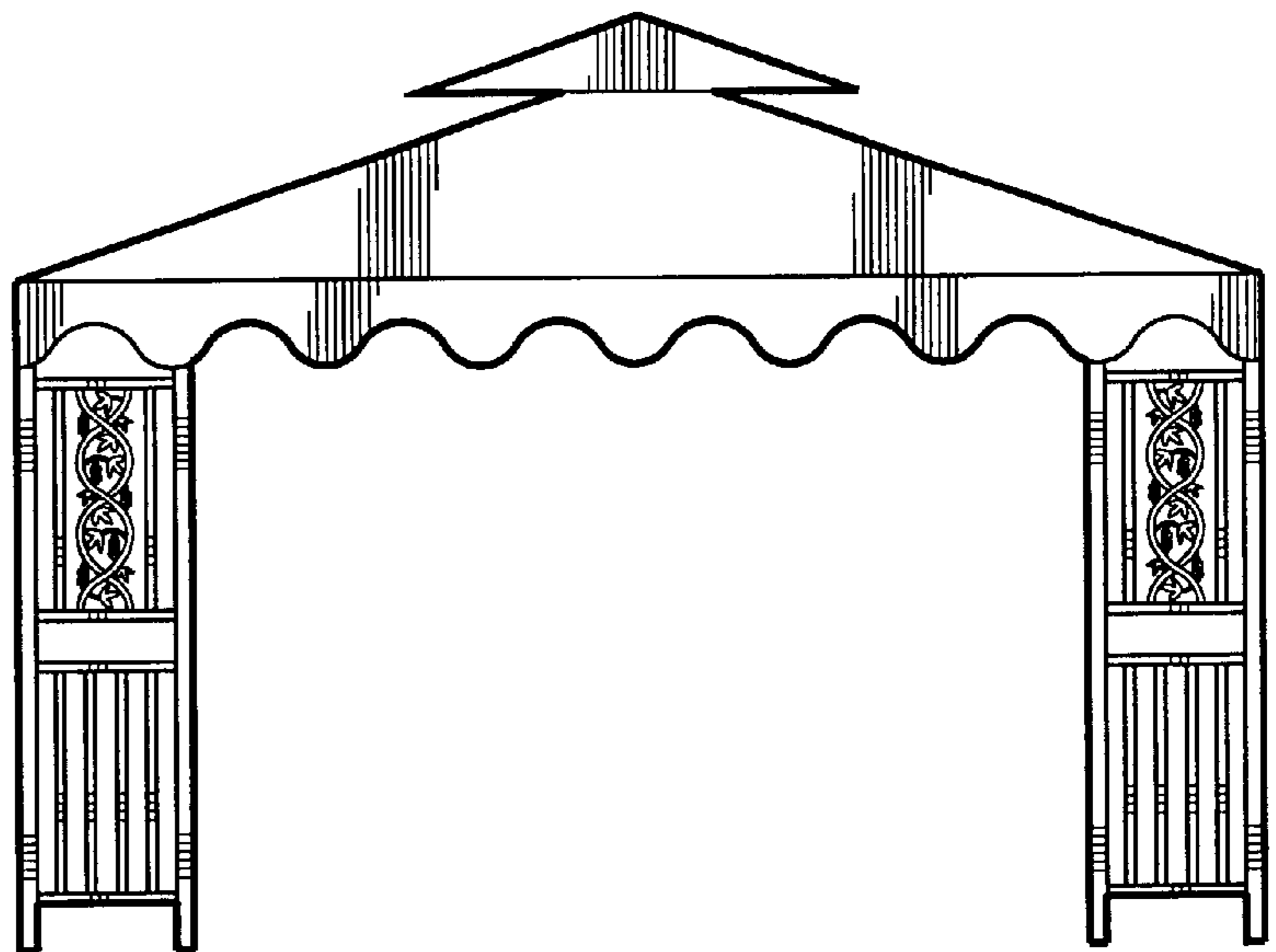


FIG. 8