



US00D458686S

(12) **United States Design Patent**
Crawford et al.

(10) **Patent No.:** **US D458,686 S**
(45) **Date of Patent:** **** Jun. 11, 2002**

(54) **ADAPTOR**

(75) Inventors: **Jamieson William Maclean Crawford,**
New York, NY (US); **Frank**
Francavilla, Newton, NJ (US)

(73) Assignee: **Becton, Dickinson and Company,**
Franklin Lakes, NJ (US)

(**) Term: **14 Years**

(21) Appl. No.: **29/139,541**

(22) Filed: **Mar. 30, 2001**

(51) **LOC (7) Cl.** **24-02**

(52) **U.S. Cl.** **D24/169; D24/128; D24/130**

(58) **Field of Search** **D24/130, 112,**
D24/128, 169, 140, 127; 600/365, 367,
579, 583, 465, 573, 576, 578, 368, 369;
422/104, 101, 58, 61

(56) **References Cited**

U.S. PATENT DOCUMENTS

D350,195 S * 8/1994 Poulsen D24/113
D360,031 S * 7/1995 Davis D24/169

5,504,011 A * 4/1996 Gavin et al. 600/573
5,518,006 A * 5/1996 Mawhirt et al. 600/583
5,800,781 A * 9/1998 Gavin et al. 422/58
6,056,701 A * 5/2000 Duchon et al. 600/583
6,196,979 B1 * 3/2001 Virtanen 600/573

* cited by examiner

Primary Examiner—Ian Simmons

(74) *Attorney, Agent, or Firm*—Nanette S. Thomas

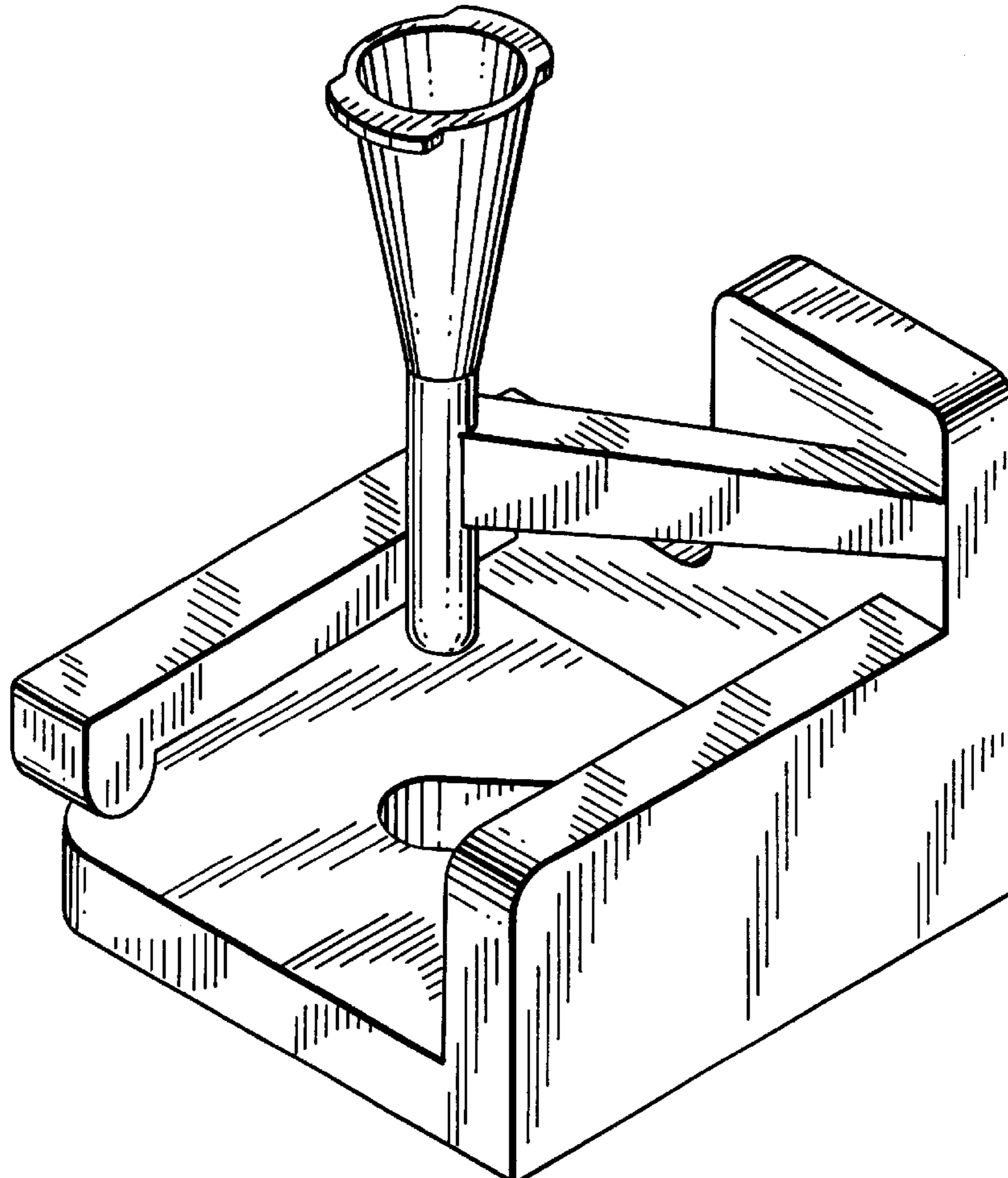
(57) **CLAIM**

The ornamental design for an adaptor, as shown and described.

DESCRIPTION

FIG. 1 is a perspective view of the adaptor;
FIG. 2 is a top plan view thereof;
FIG. 3 is a front elevational view thereof;
FIG. 4 is a left side elevational view of the adaptor of FIG. 3;
FIG. 5 is a right side elevational view of the adaptor of FIG. 3;
FIG. 6 is a rear elevational view thereof; and,
FIG. 7 is a bottom plan view thereof.

1 Claim, 7 Drawing Sheets



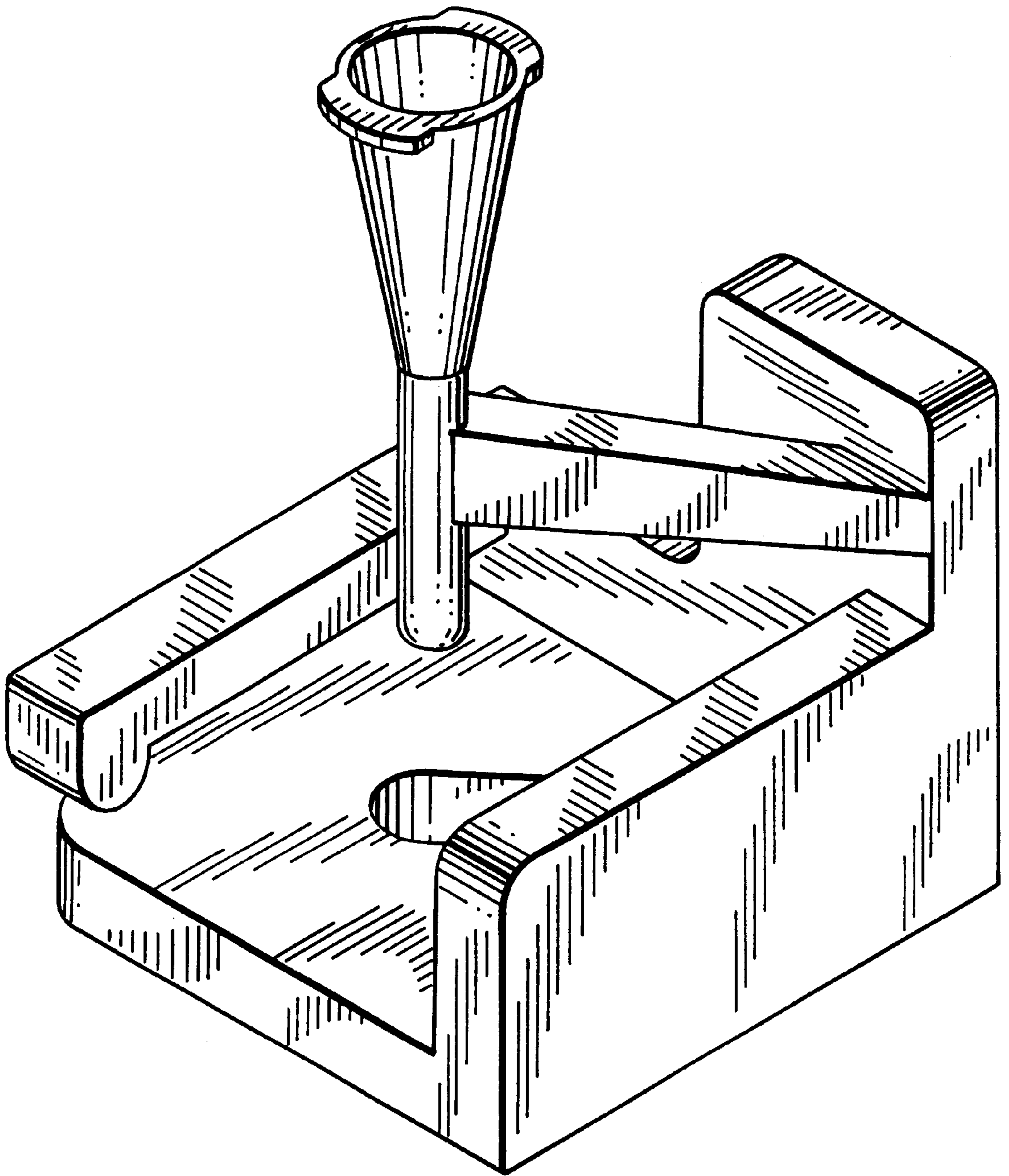


FIG. 1

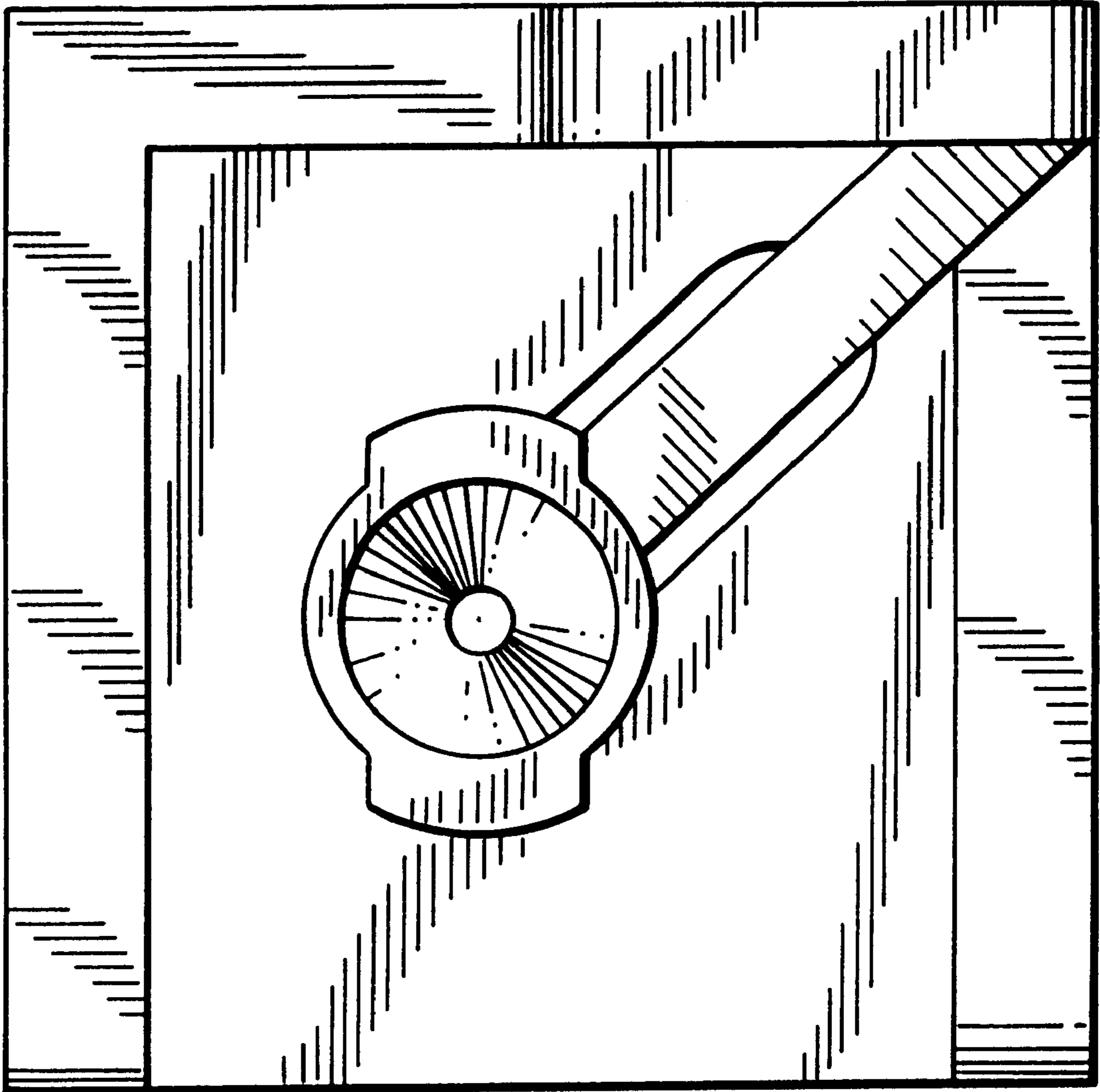


FIG. 2

FIG. 3

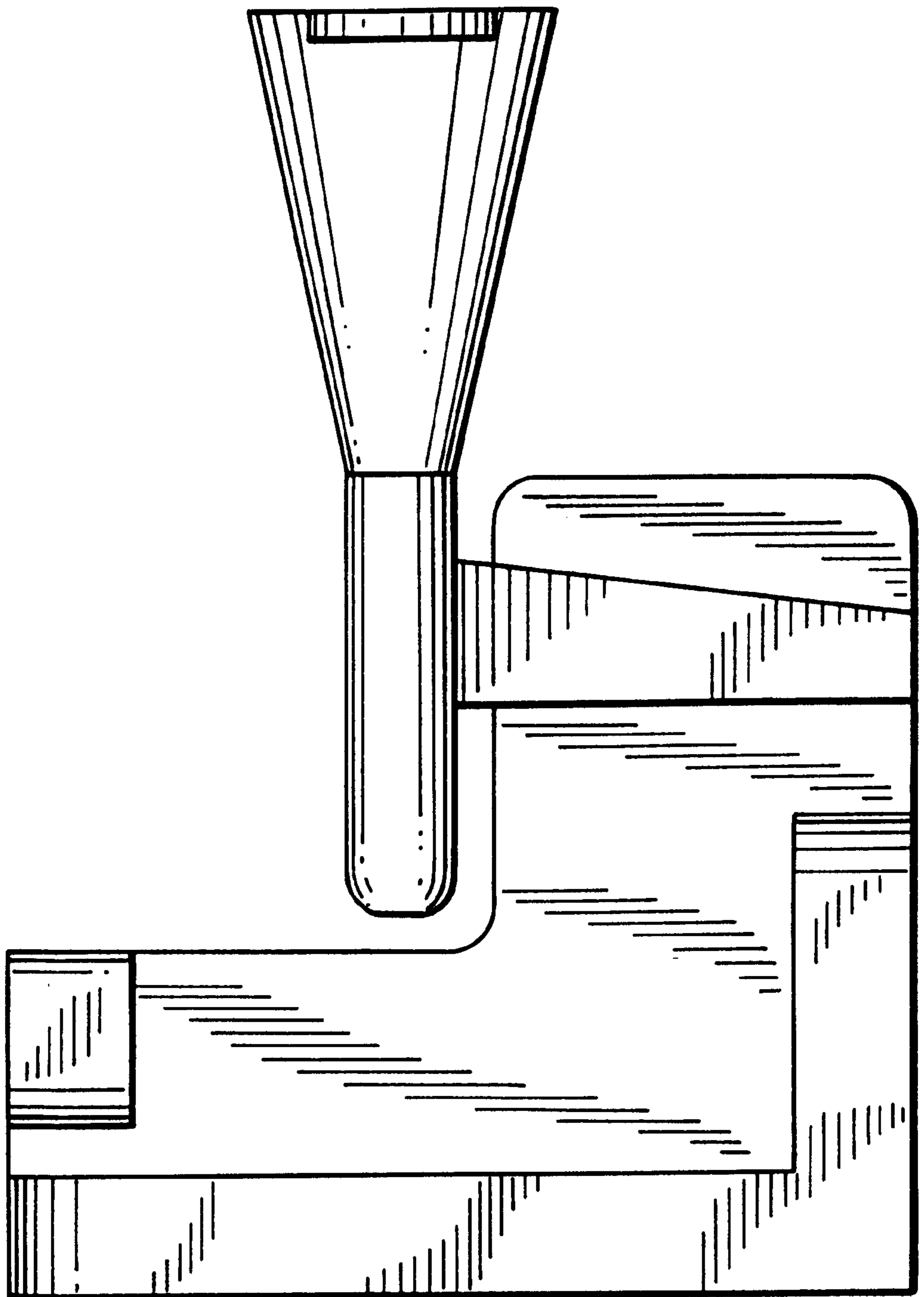


FIG. 4

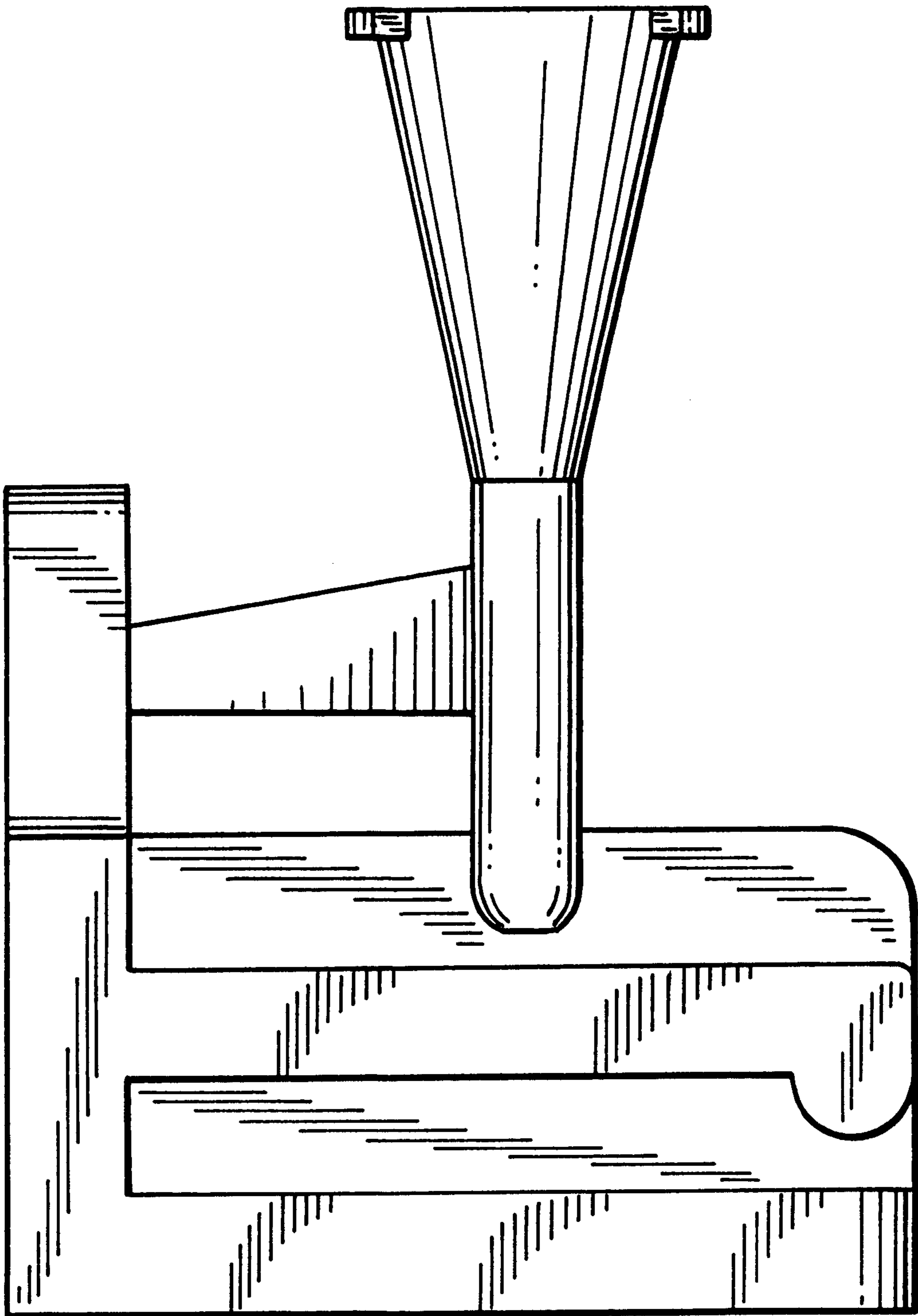


FIG. 5

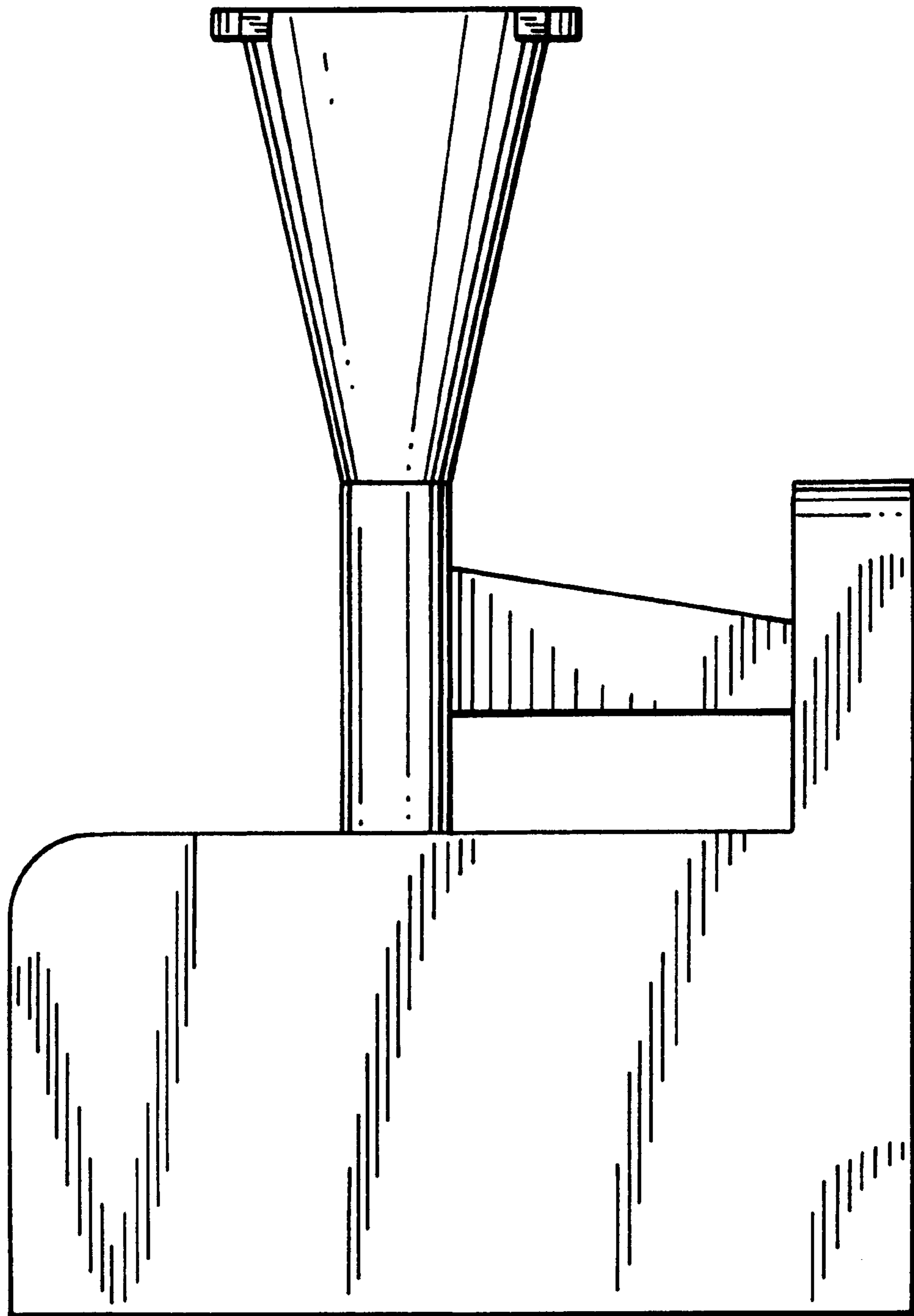


FIG. 6

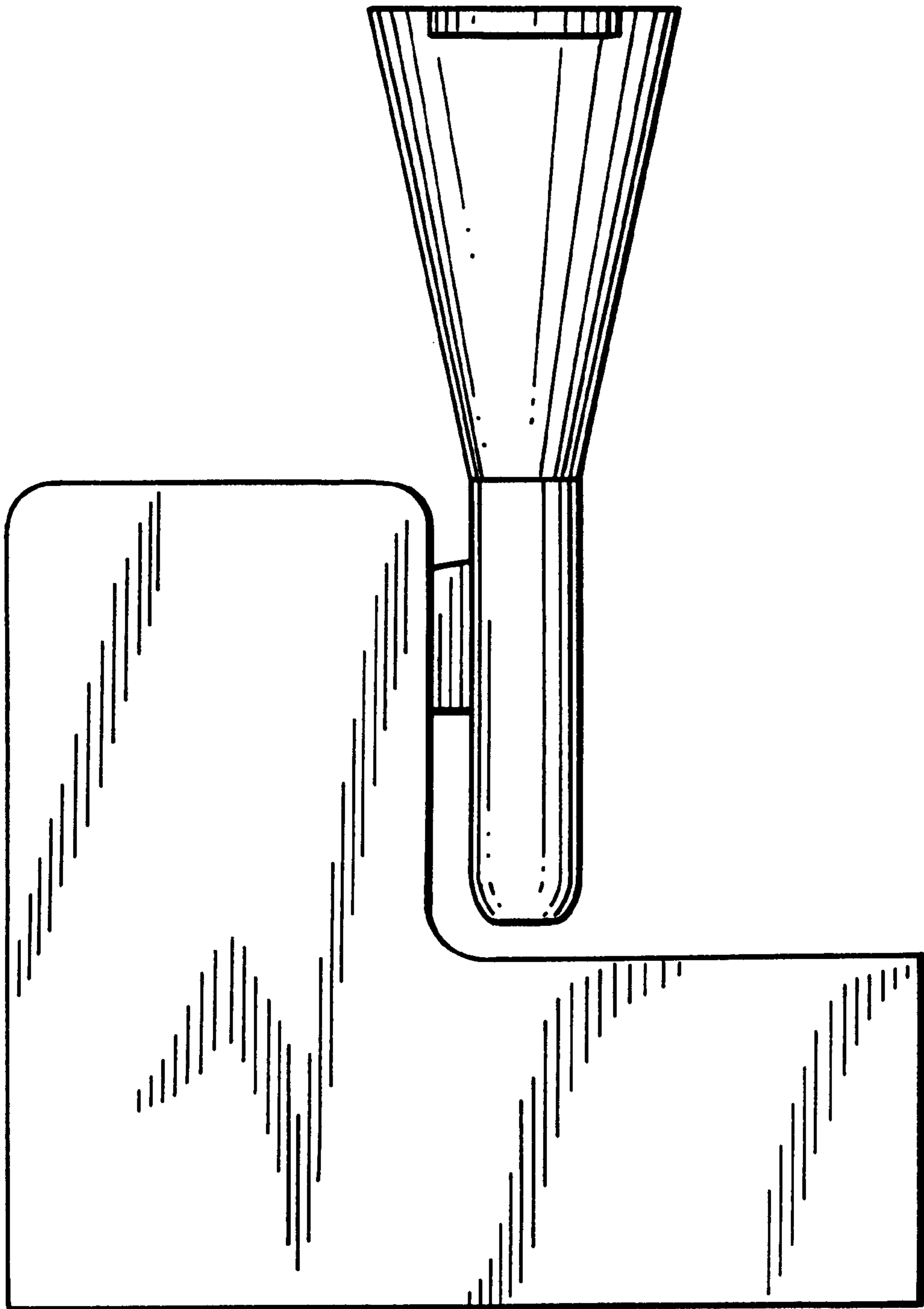


FIG. 7

