



US00D458685S

(12) **United States Design Patent**
Lumsden

(10) **Patent No.:** **US D458,685 S**

(45) **Date of Patent:** **** Jun. 11, 2002**

(54) **ARTIFICIAL FISH EYE FOR TAXIDERMY**

(76) Inventor: **Jeffrey D. Lumsden**, 11901 Silver Way,
Everett, WA (US) 98208

(**) Term: **14 Years**

(21) Appl. No.: **29/141,911**

(22) Filed: **May 14, 2001**

(51) **LOC (7) Cl.** **24-03**

(52) **U.S. Cl.** **D24/157; D21/661**

(58) **Field of Search** **D24/157; D21/661;**
434/296, 271, 295; 446/392; 428/16, 542.4

(56) **References Cited**

U.S. PATENT DOCUMENTS

| | | | |
|---------------|---------|---------------------|---------|
| D266,696 S | 10/1982 | Crossley | |
| D277,606 S | 2/1985 | Cebula | |
| D280,236 S | 8/1985 | Crossley | |
| 4,865,552 A * | 9/1989 | Maloney et al. | 434/271 |
| 5,087,204 A | 2/1992 | Thompson | |
| 5,735,895 A | 4/1998 | Rinehart | |
| 6,007,881 A * | 12/1999 | Lennard | 428/16 |

* cited by examiner

Primary Examiner—Antoine Duval Davis

(74) *Attorney, Agent, or Firm*—Todd N. Hathaway

(57) **CLAIM**

The ornamental design for an artificial fish eye for taxidermy, as shown and described.

DESCRIPTION

FIG. 1 is a top plan view of an artificial fish eye for taxidermy showing my new design;

FIG. 2 is a side elevational view thereof;

FIG. 3 is an end elevational view thereof;

FIG. 4 is a bottom plan view thereof;

FIG. 5 is a first cross-sectional view thereof, taken along line 5—5 in FIG. 1; and,

FIG. 6 is a second cross-sectional view thereof, taken along line 6—6 in FIG. 1.

The design being characterized by a somewhat oval shape and an interior surface having concave, convex and then concave contours arranged concentrically in the area corresponding to the region between the sclerotic junction and iris of the eye.

1 Claim, 2 Drawing Sheets

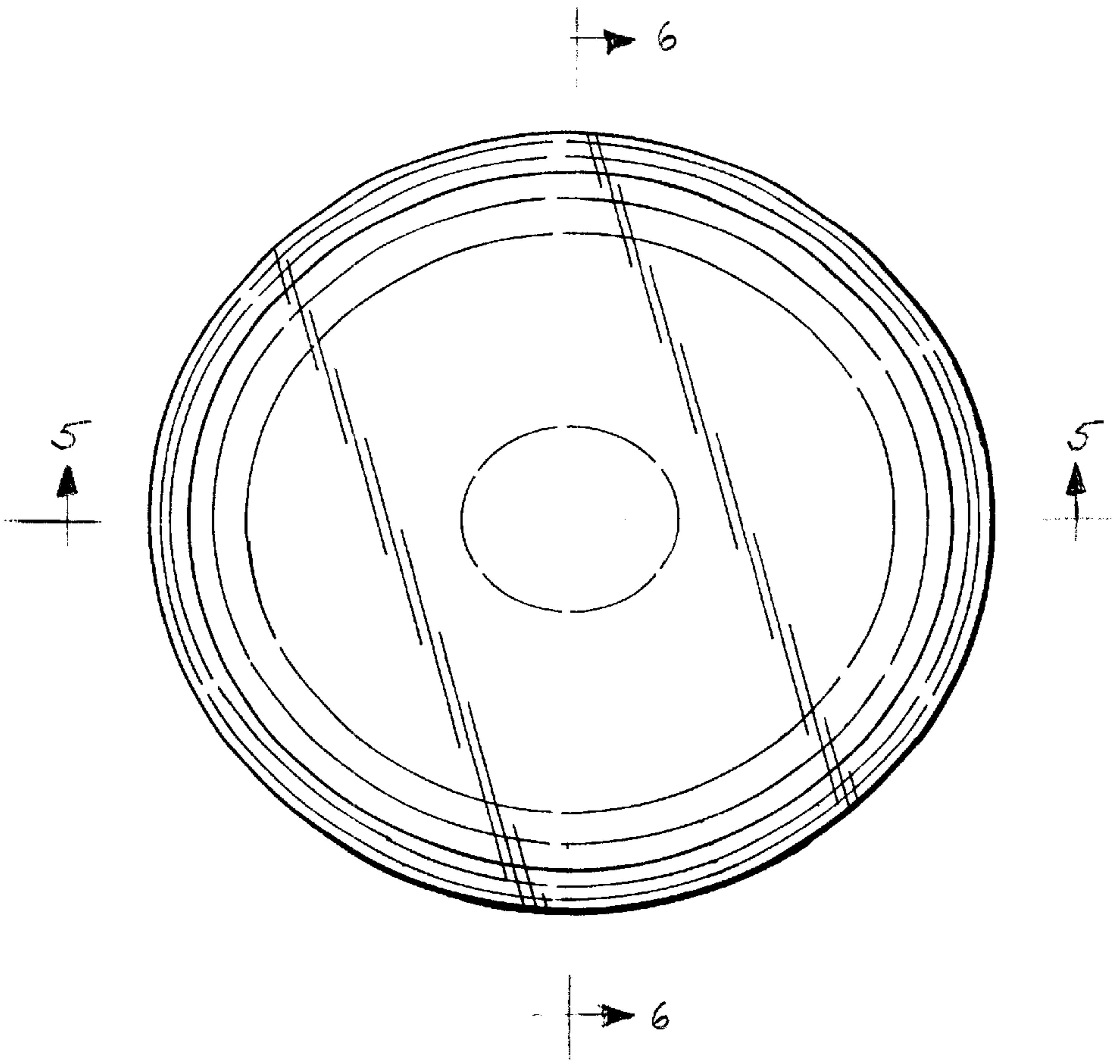


FIG. 1

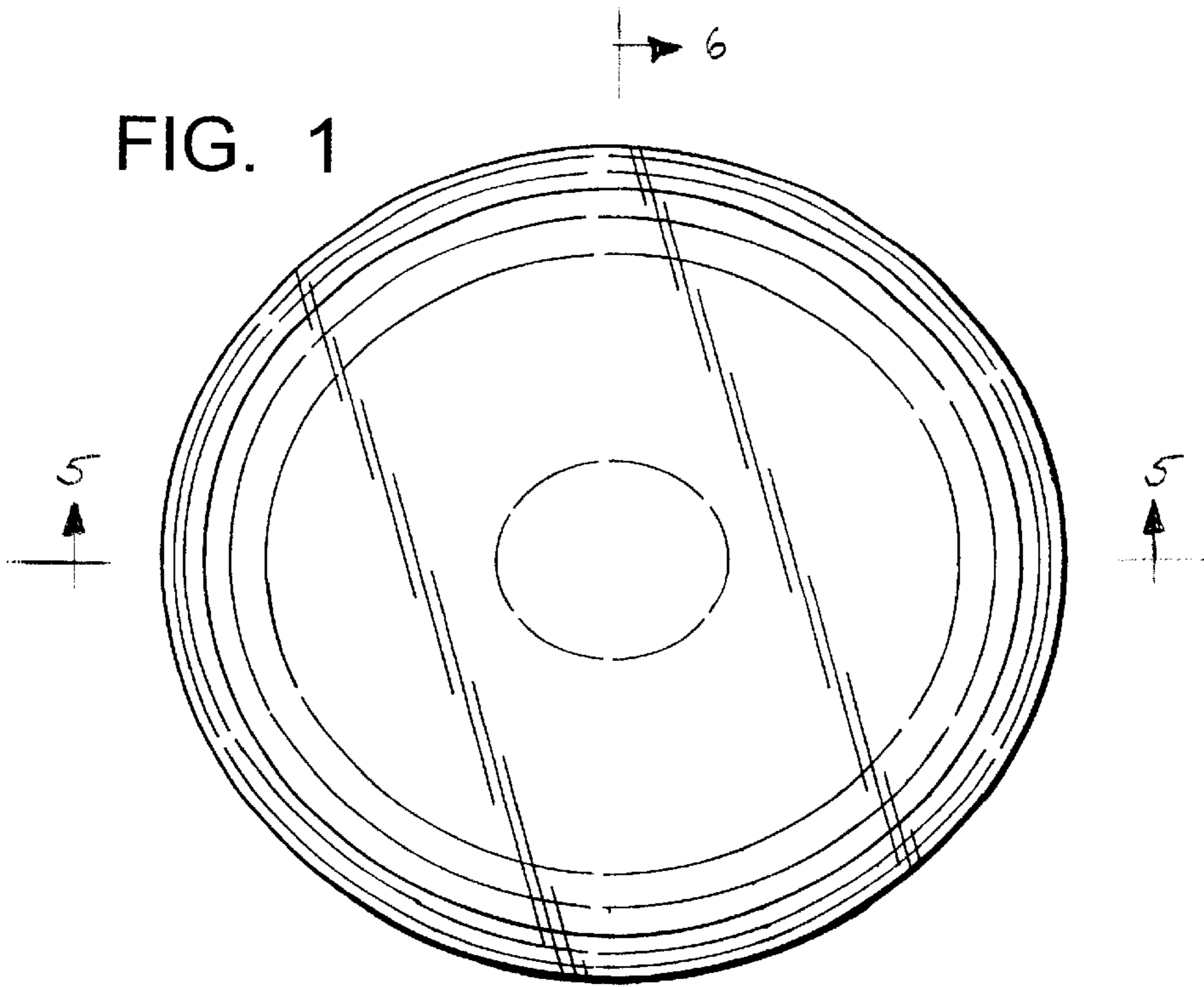


FIG. 2

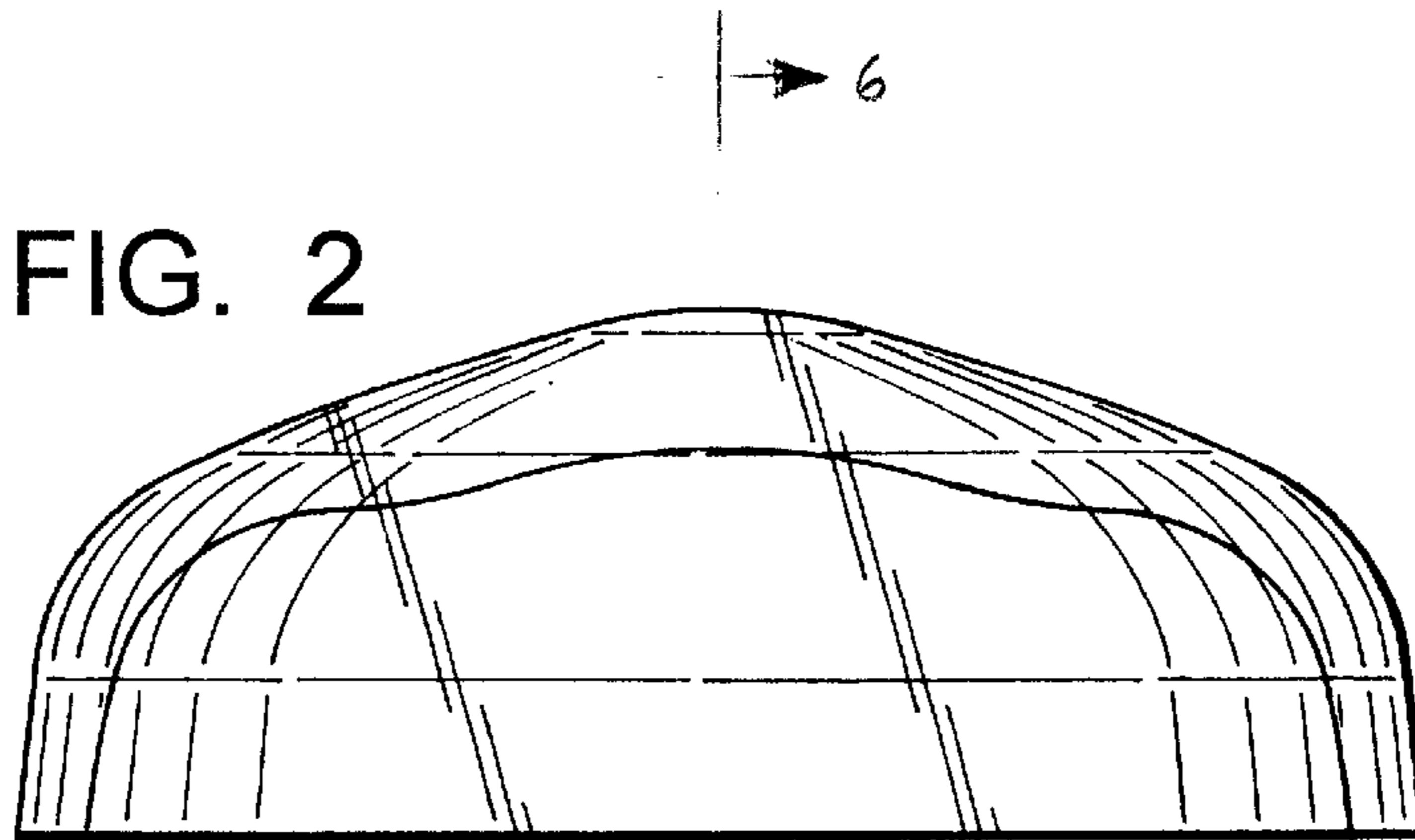


FIG. 3

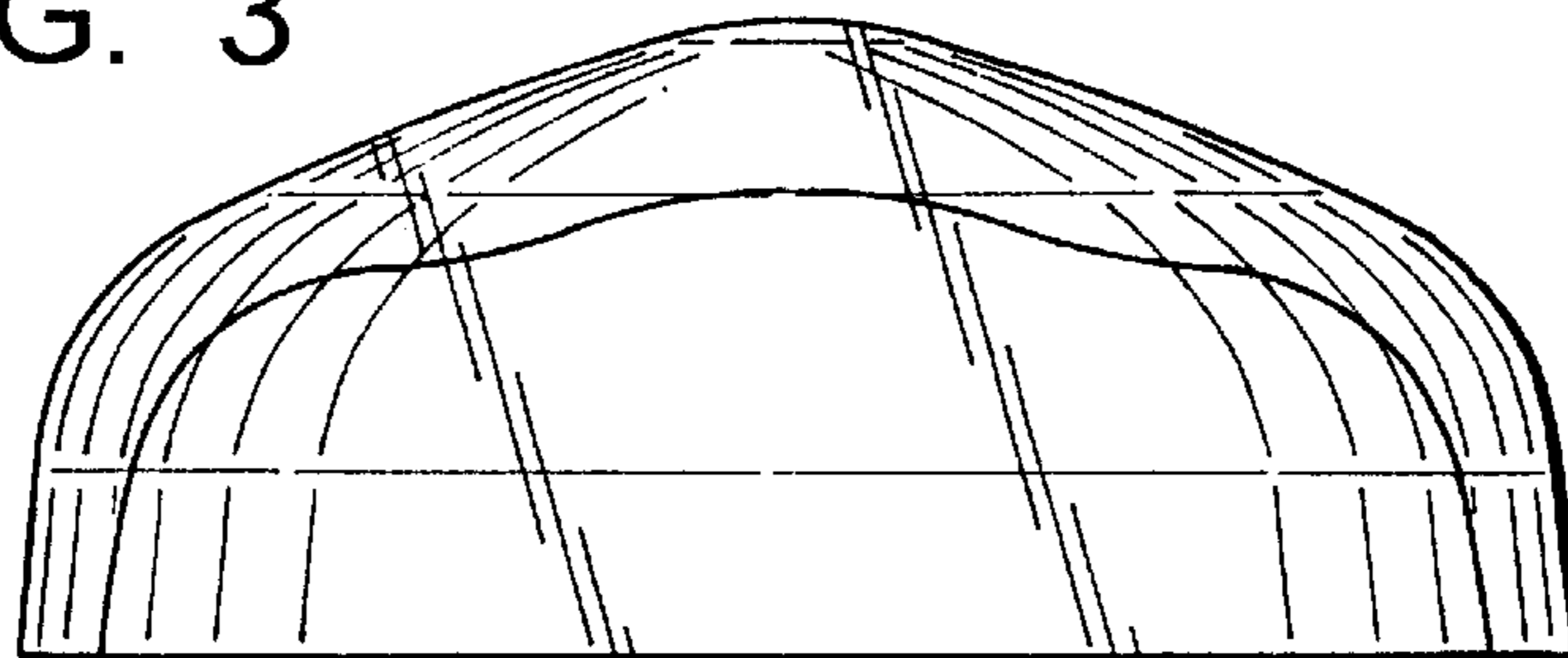


FIG. 4

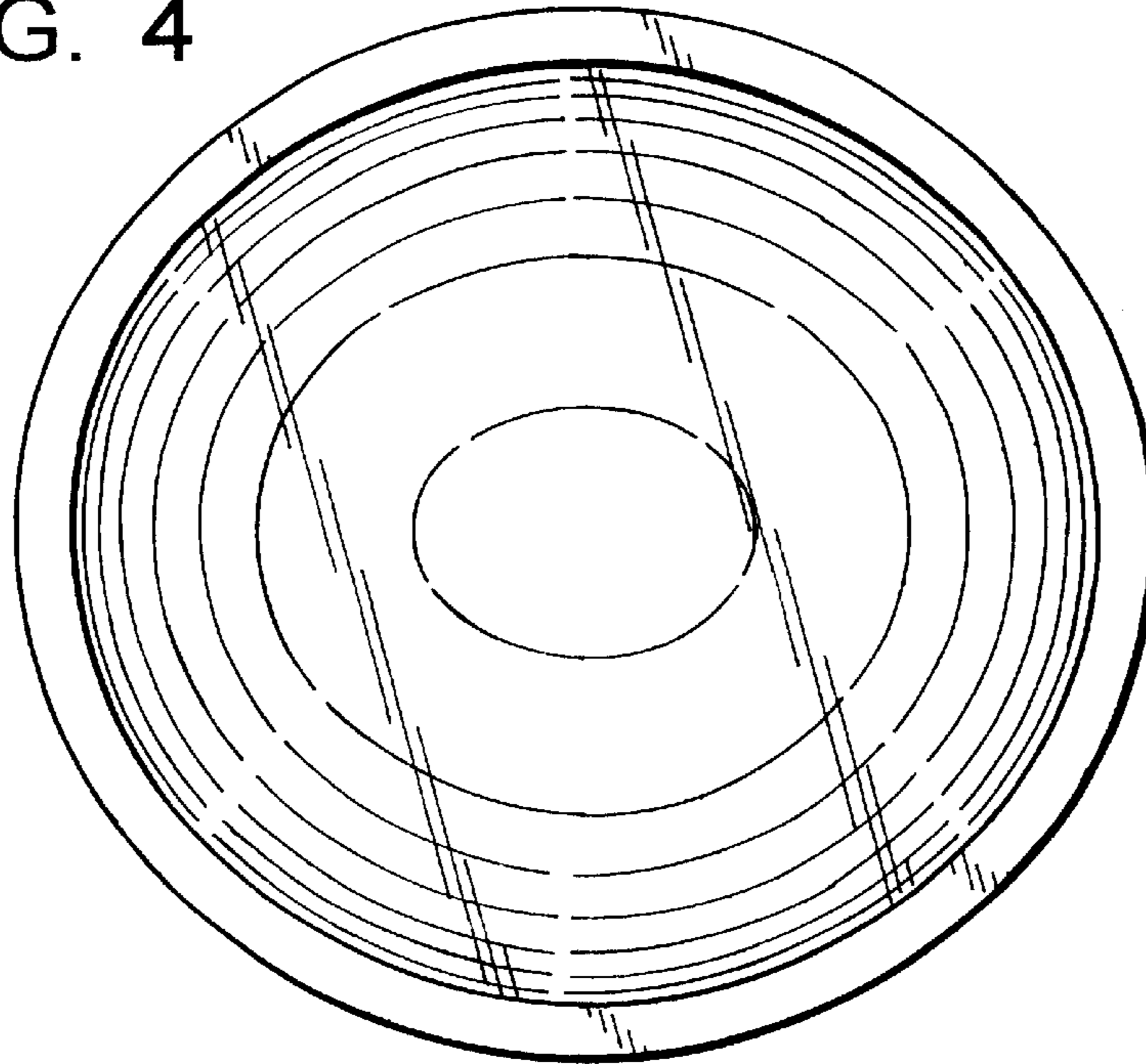


FIG. 5

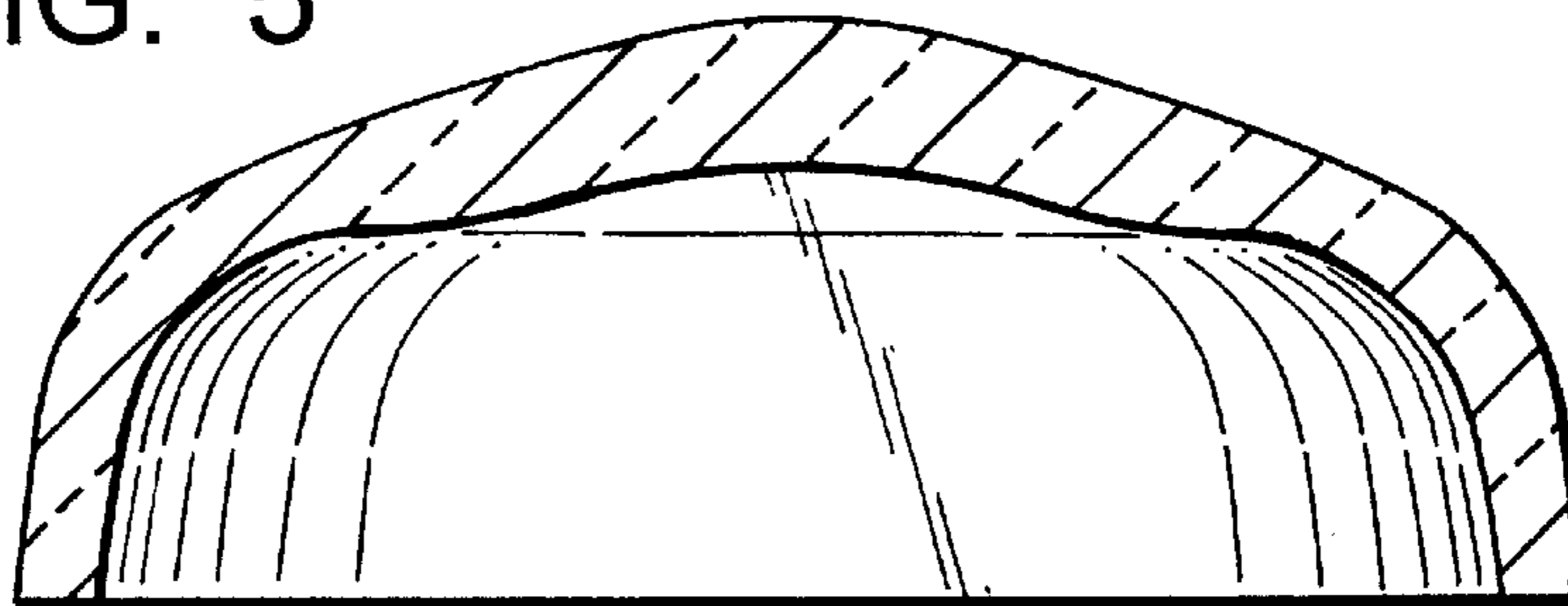


FIG. 6

