



US00D458682S

(12) **United States Design Patent**
Szymaitis

(10) **Patent No.:** **US D458,682 S**

(45) **Date of Patent:** **** Jun. 11, 2002**

(54) **DENTAL INSTRUMENT**

(76) Inventor: **Dennis W. Szymaitis**, 1172 Harvard Rd., Pittsburgh, PA (US) 15205

(**) Term: **14 Years**

(21) Appl. No.: **29/141,266**

(22) Filed: **May 1, 2001**

(51) **LOC (7) Cl.** **24-02**

(52) **U.S. Cl.** **D24/152**

(58) **Field of Search** D24/152; 433/140-143

(56) **References Cited**

U.S. PATENT DOCUMENTS

4,643,677	A	*	2/1987	Kim	433/142
5,088,925	A	*	2/1992	Mason	433/141
D427,681	S	*	7/2000	Maissami	D24/152

OTHER PUBLICATIONS

Sullivan-Schein Dental™, A Henry Schein Company, Dental Merchandise Catalog, Fall 1999/Winter 2000, cover, 279-283, 416.

* cited by examiner

Primary Examiner—Antoine Duval Davis

(74) *Attorney, Agent, or Firm*—Buchanan Ingersoll, P.C.

(57) **CLAIM**

The ornamental design for a dental instrument, as shown and described.

DESCRIPTION

FIG. 1 is a perspective view of my design for a dental instrument;

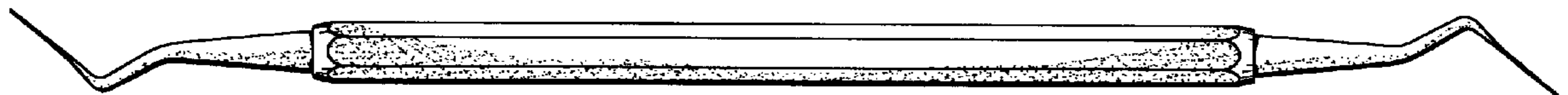
FIG. 2 is a left side view of the dental instrument, the right side being a mirror image thereof;

FIG. 3 is a back view of the dental instrument;

FIG. 4 is a top view thereof; and,

FIG. 5 is a bottom view thereof.

1 Claim, 1 Drawing Sheet



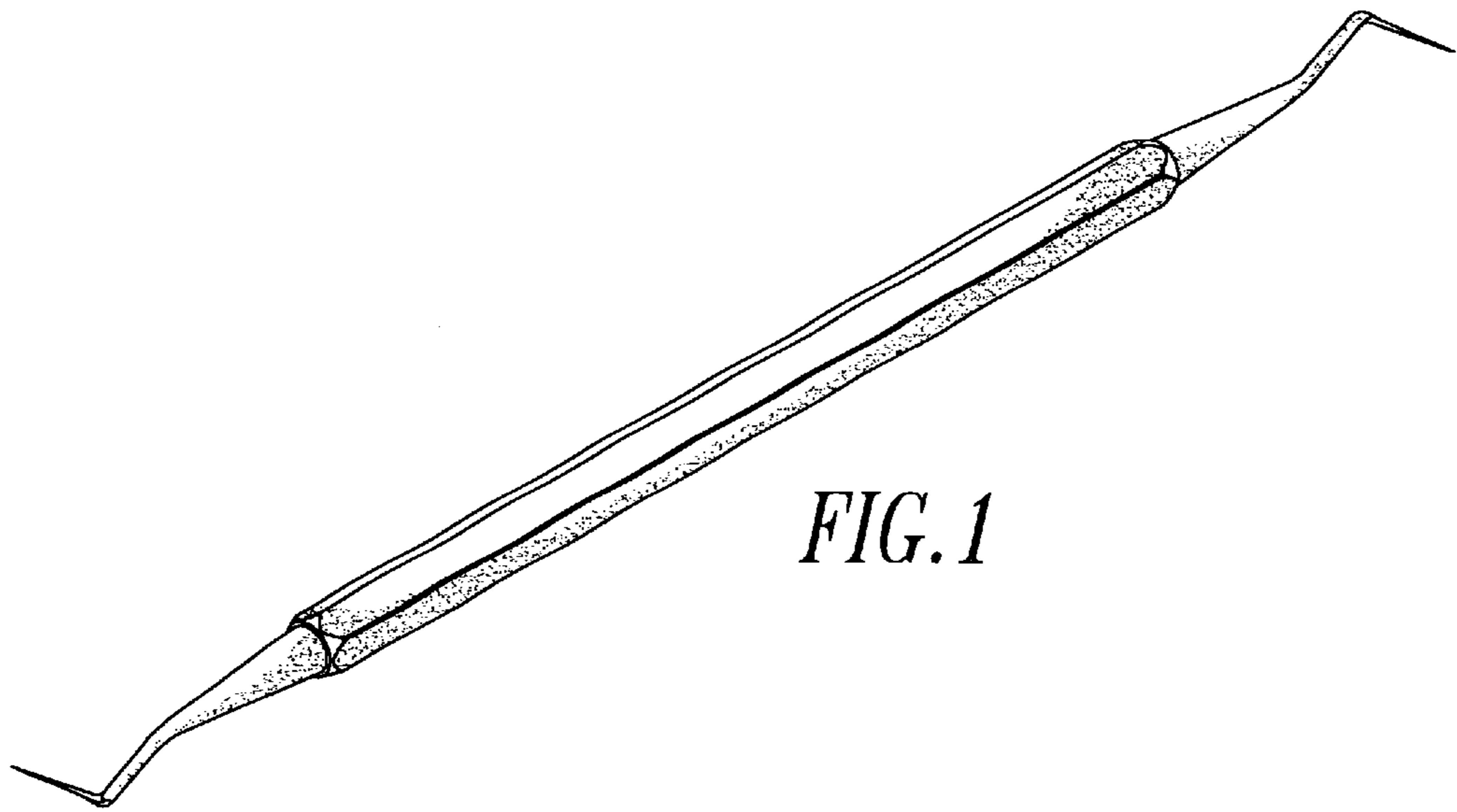


FIG. 1

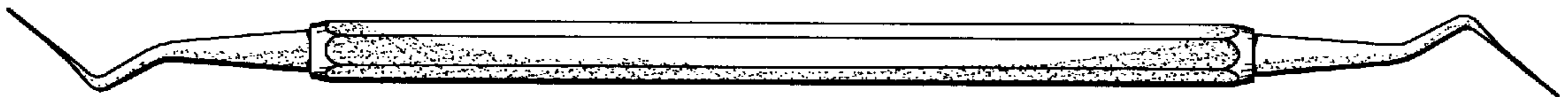


FIG. 2

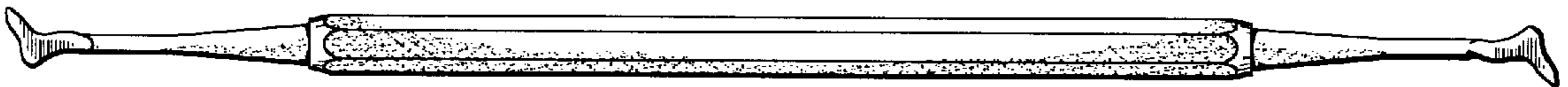


FIG. 3

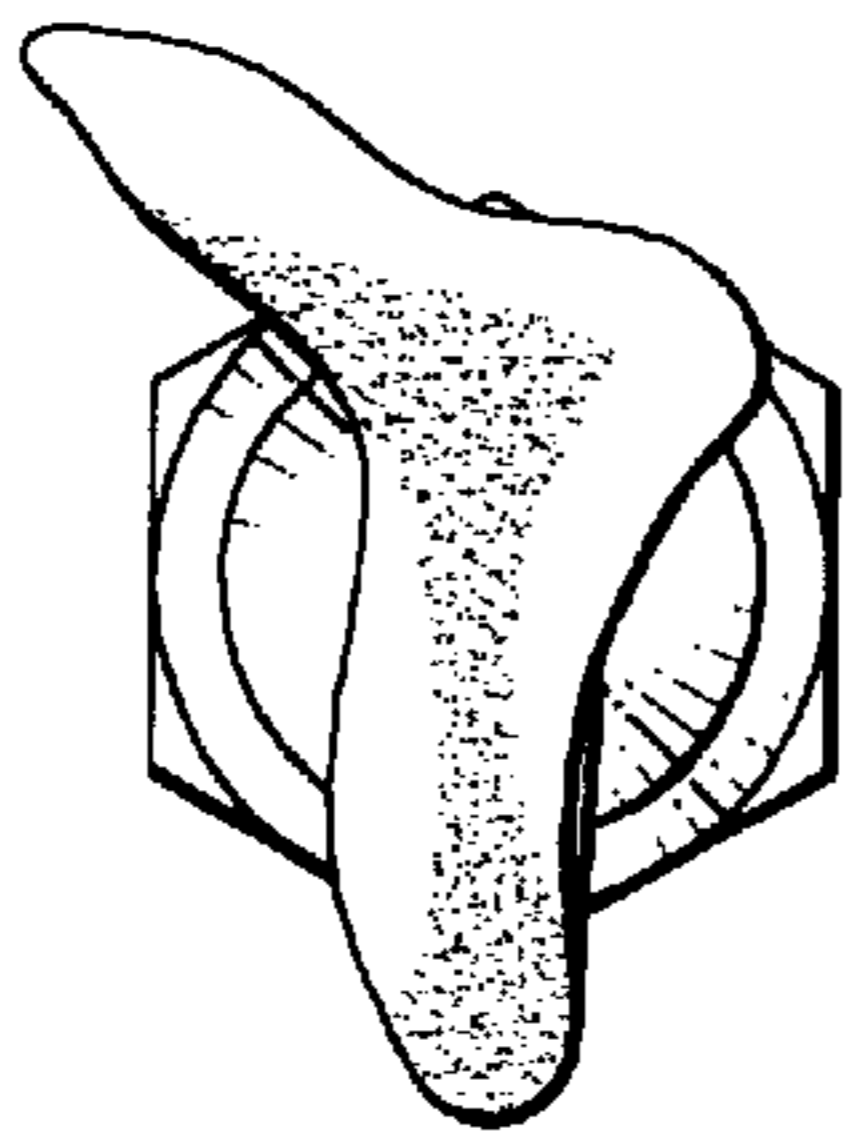


FIG. 4

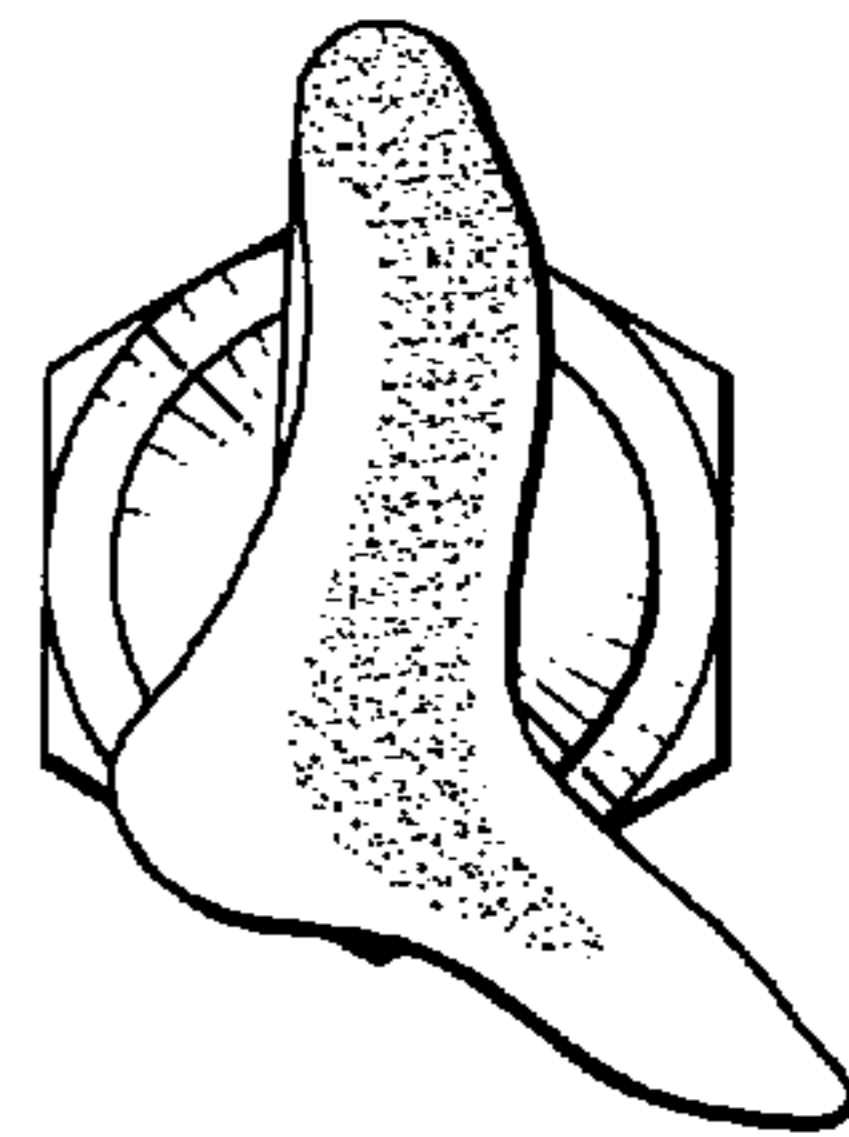


FIG. 5