



US00D458680S

(12) **United States Design Patent**  
**Engler**

(10) **Patent No.:** **US D458,680 S**

(45) **Date of Patent:** **\*\* Jun. 11, 2002**

(54) **ILLUMINATED RETRACTOR**

(76) Inventor: **Alan M. Engler**, 122 E. 64<sup>th</sup> St., New York, NY (US) 10021

(\*\*) Term: **14 Years**

(21) Appl. No.: **29/146,106**

(22) Filed: **Aug. 6, 2001**

(51) **LOC (7) Cl.** ..... **24-02**

(52) **U.S. Cl.** ..... **D24/135; D24/137**

(58) **Field of Search** ..... D24/112, 135, D24/137; 600/201, 212, 245, 240, 223

(56) **References Cited**

**U.S. PATENT DOCUMENTS**

D312,306 S	*	11/1990	Michelson	.....	D24/112
5,035,232 A	*	7/1991	Lutze et al.	.....	600/245
5,406,941 A	*	4/1995	Roberts	.....	D24/135
5,520,611 A	*	5/1996	Rao et al.	.....	600/245

**OTHER PUBLICATIONS**

Luxtec Corporation Brochure.  
Padgett Instruments, Inc. Brochure, p. 138.  
Snowden-Pencer, Retractors Brochure, p. 72.

Codman Catalog "Fiberoptics Instruments" pp. F-10, F-11, F-12 @1992.\*

\* cited by examiner

*Primary Examiner*—Ian Simmons

(74) *Attorney, Agent, or Firm*—Jacobson Holman, PLLC

(57) **CLAIM**

The ornamental design for a illuminated retractor, as shown and described.

**DESCRIPTION**

FIG. 1 is a front perspective view showing my new design for an illuminated retractor,

FIG. 2 is a right side view thereof;

FIG. 3 is a left side view thereof;

FIG. 4 is a top view thereof;

FIG. 5 is a bottom view thereof;

FIG. 6 is a front view thereof; and,

FIG. 7 is a rear view thereof.

**1 Claim, 2 Drawing Sheets**

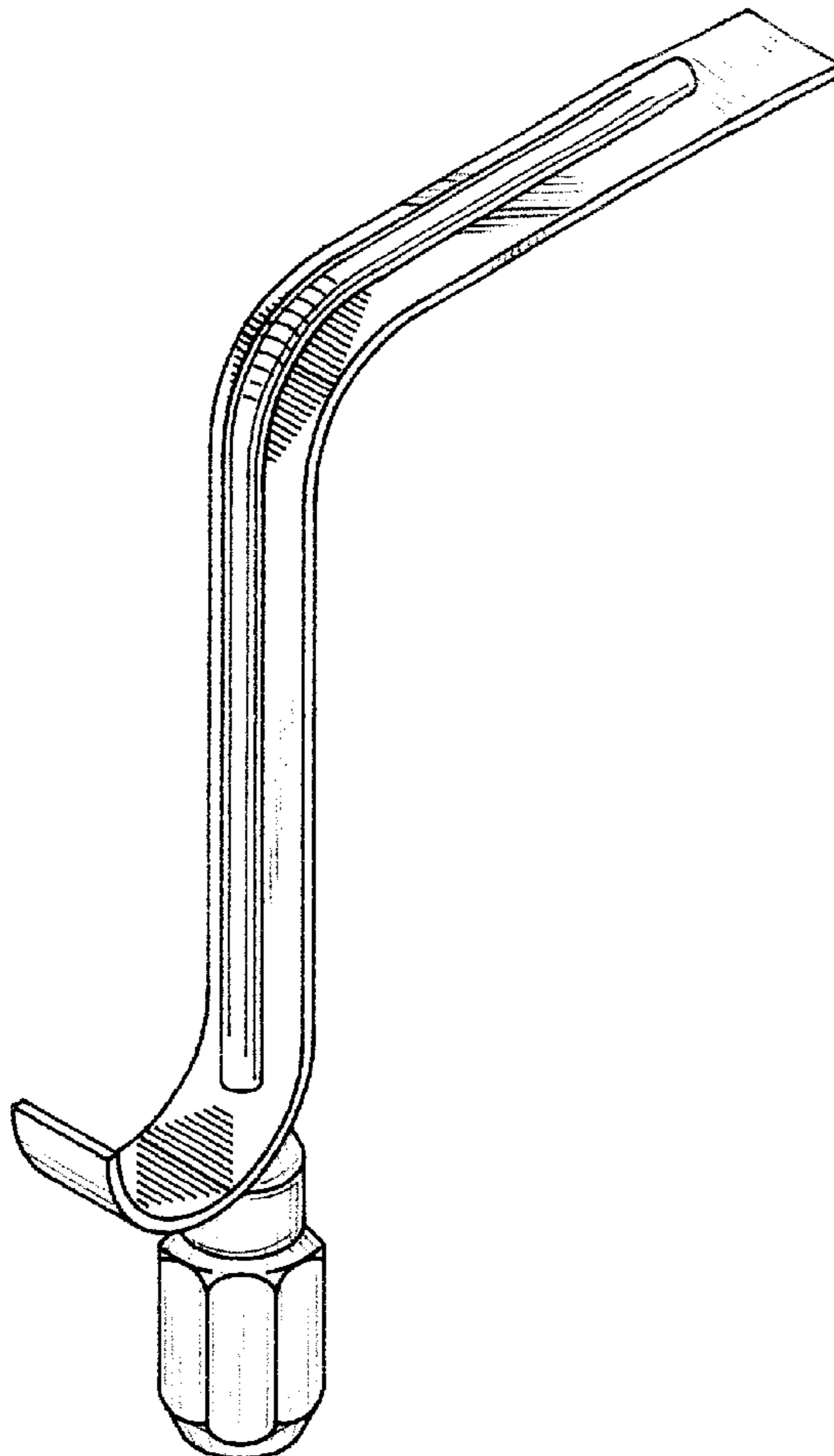


FIG. 1

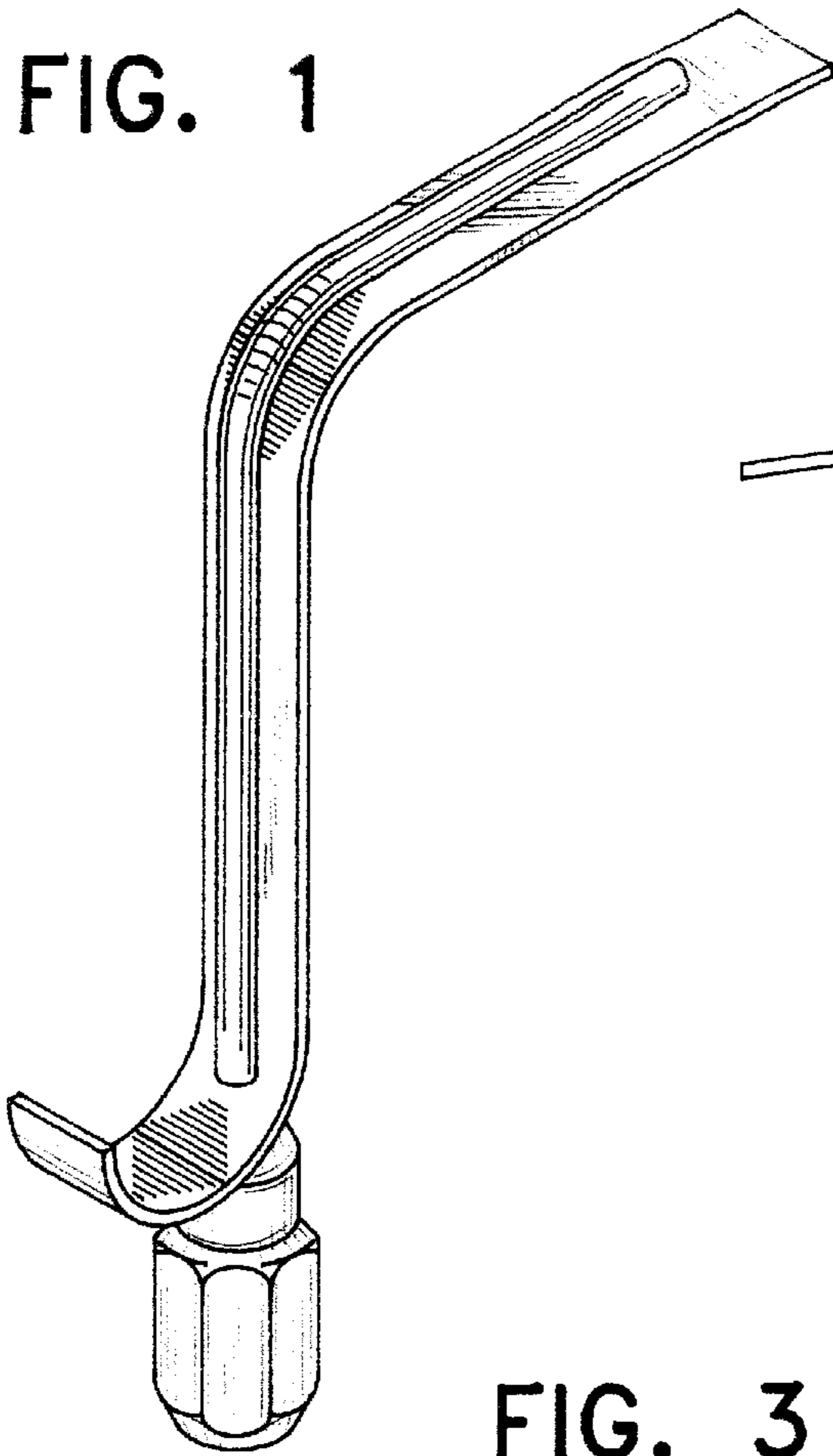


FIG. 2

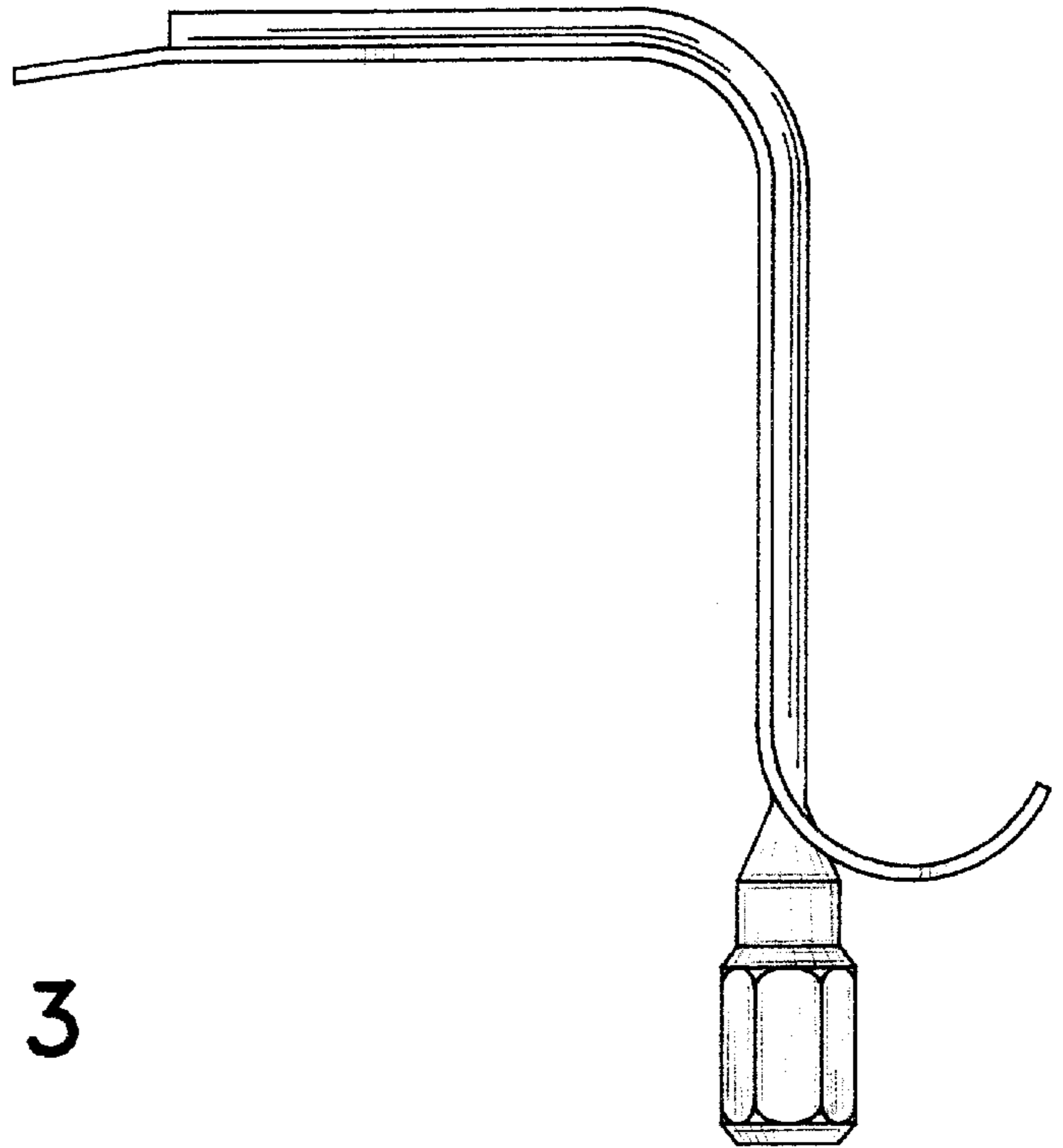


FIG. 3

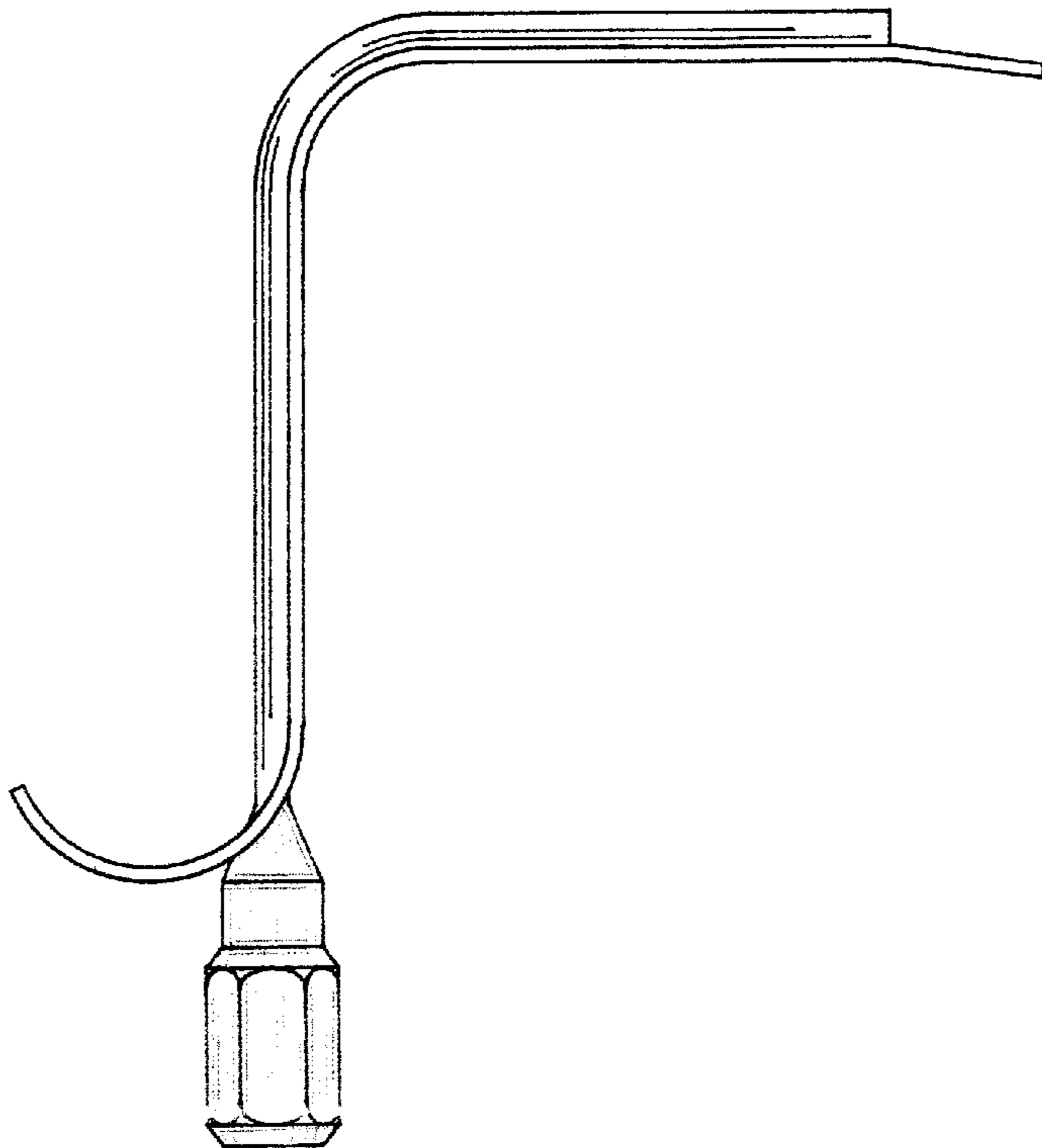


FIG. 4

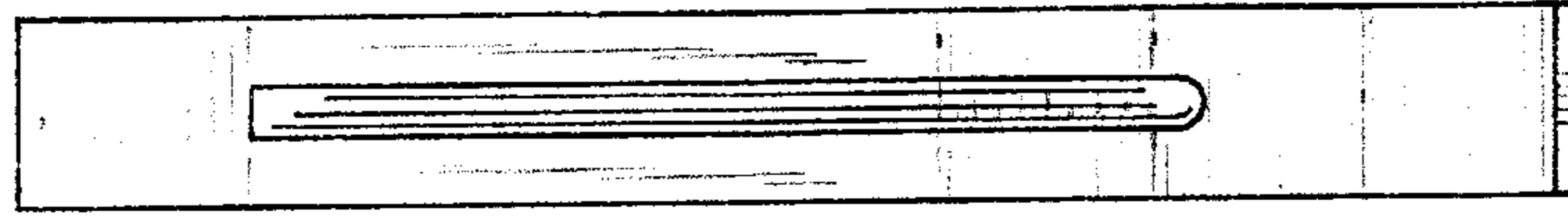


FIG. 5

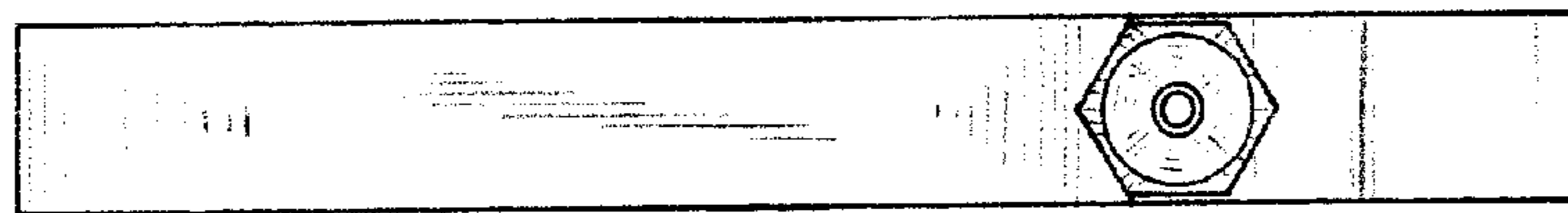


FIG. 6

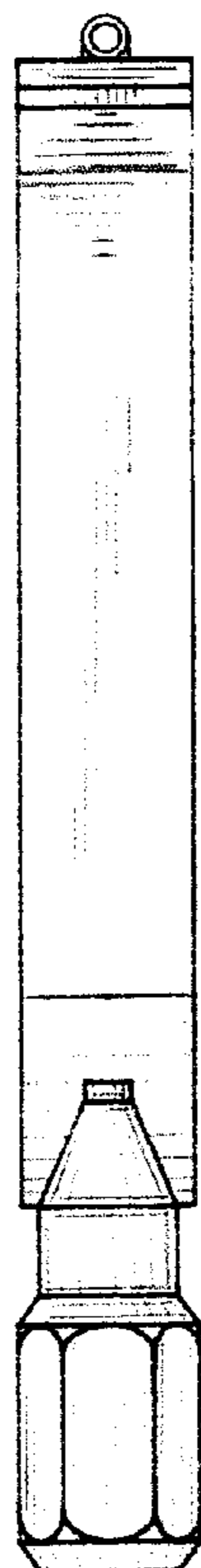


FIG. 7

