



US00D458679S

(12) **United States Design Patent**
Thompson et al.

(10) **Patent No.:** **US D458,679 S**
(45) **Date of Patent:** **** Jun. 11, 2002**

(54) **HANDLE**

(75) Inventors: **Paul J. Thompson**, New Hope;
Thomas M. Benson, Minneapolis, both
of MN (US)

(73) Assignee: **IntraTherapeutics, Inc.**, St. Paul, MN
(US)

(**) Term: **14 Years**

(21) Appl. No.: **29/135,732**

(22) Filed: **Jan. 18, 2001**

(51) **LOC (7) Cl.** **24-02**

(52) **U.S. Cl.** **D24/133; D8/83; D8/107**

(58) **Field of Search** **D24/133; D8/107,**
D8/82, 83; 600/462, 466, 459, 463

(56) **References Cited**

U.S. PATENT DOCUMENTS

D146,898 S	*	6/1947	Daniels	D8/83
4,768,507 A		9/1988	Fischell et al.		
4,913,141 A		4/1990	Hillstead		
D309,246 S	*	7/1990	Cascio et al.	D8/82
5,026,377 A		6/1991	Burton et al.		
5,591,172 A		1/1997	Bachmann et al.		
5,695,499 A		12/1997	Helgerson et al.		

D393,318 S	*	4/1998	Wolter	D24/133
5,759,186 A		6/1998	Bachmann et al.		
5,817,102 A		10/1998	Johnson et al.		
5,954,729 A		9/1999	Bachmann et al.		
6,077,295 A		6/2000	Limon et al.		
D429,526 S	*	8/2000	Sullivan et al.	D24/133
6,120,522 A		9/2000	Vrba et al.		
6,132,460 A		10/2000	Thompson		
6,132,461 A		10/2000	Thompson		

* cited by examiner

Primary Examiner—Ian Simmons

(74) *Attorney, Agent, or Firm*—Merchant & Gould P.C.

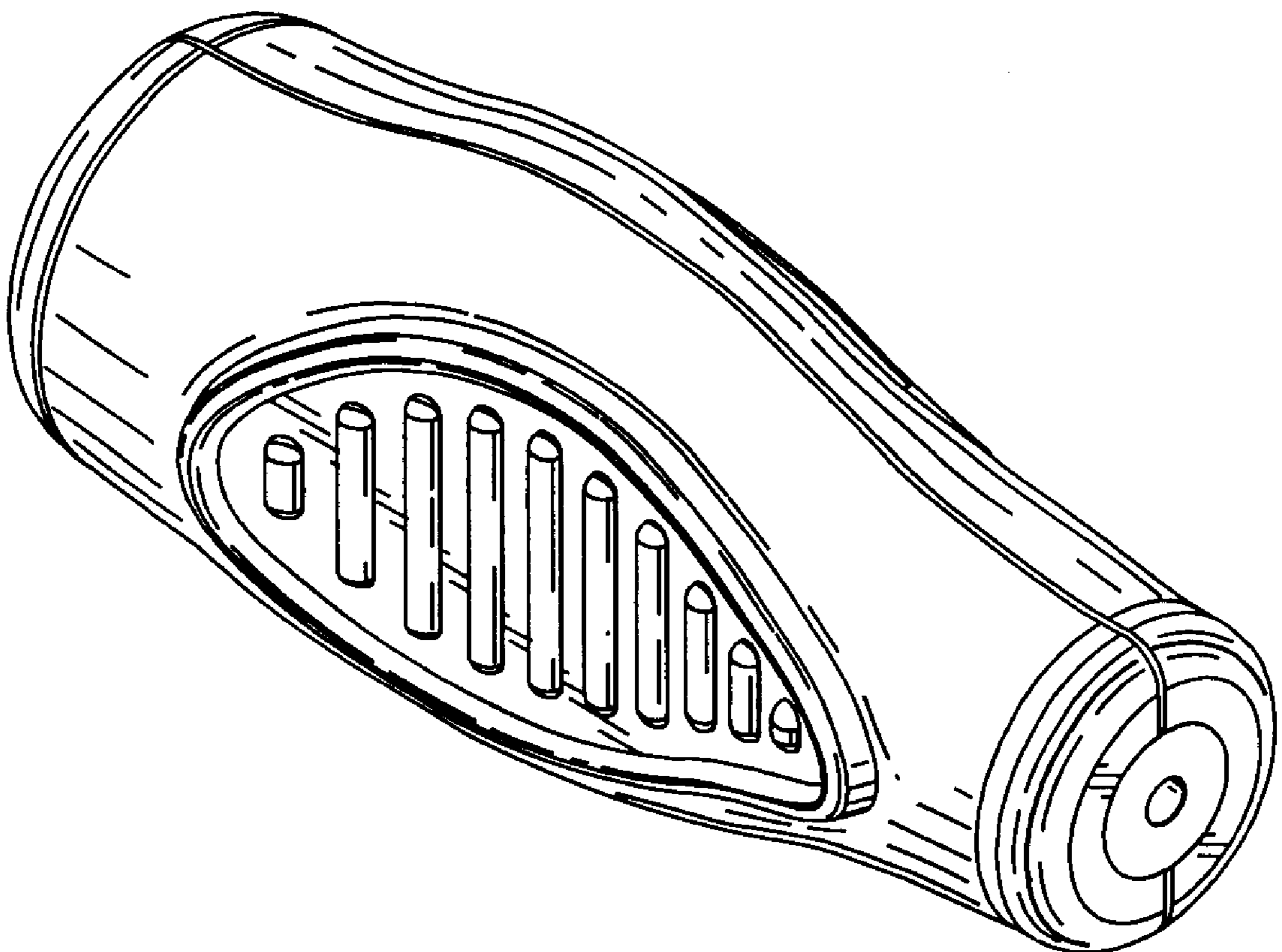
(57) **CLAIM**

The ornamental design for a handle, as shown and described.

DESCRIPTION

FIG. 1 is a perspective view of a first embodiment of a handle, according to the present invention; FIG. 2 is a right side view of the handle of FIG. 1; FIG. 3 is a left side view of the handle of FIG. 1; FIG. 4 is a front elevational view of the handle of FIG. 1; FIG. 5 is a rear elevational view of the handle of FIG. 1; FIG. 6 is a top plan view of the handle of FIG. 1; and, FIG. 7 is a bottom plan view of the handle of FIG. 1.

1 Claim, 3 Drawing Sheets



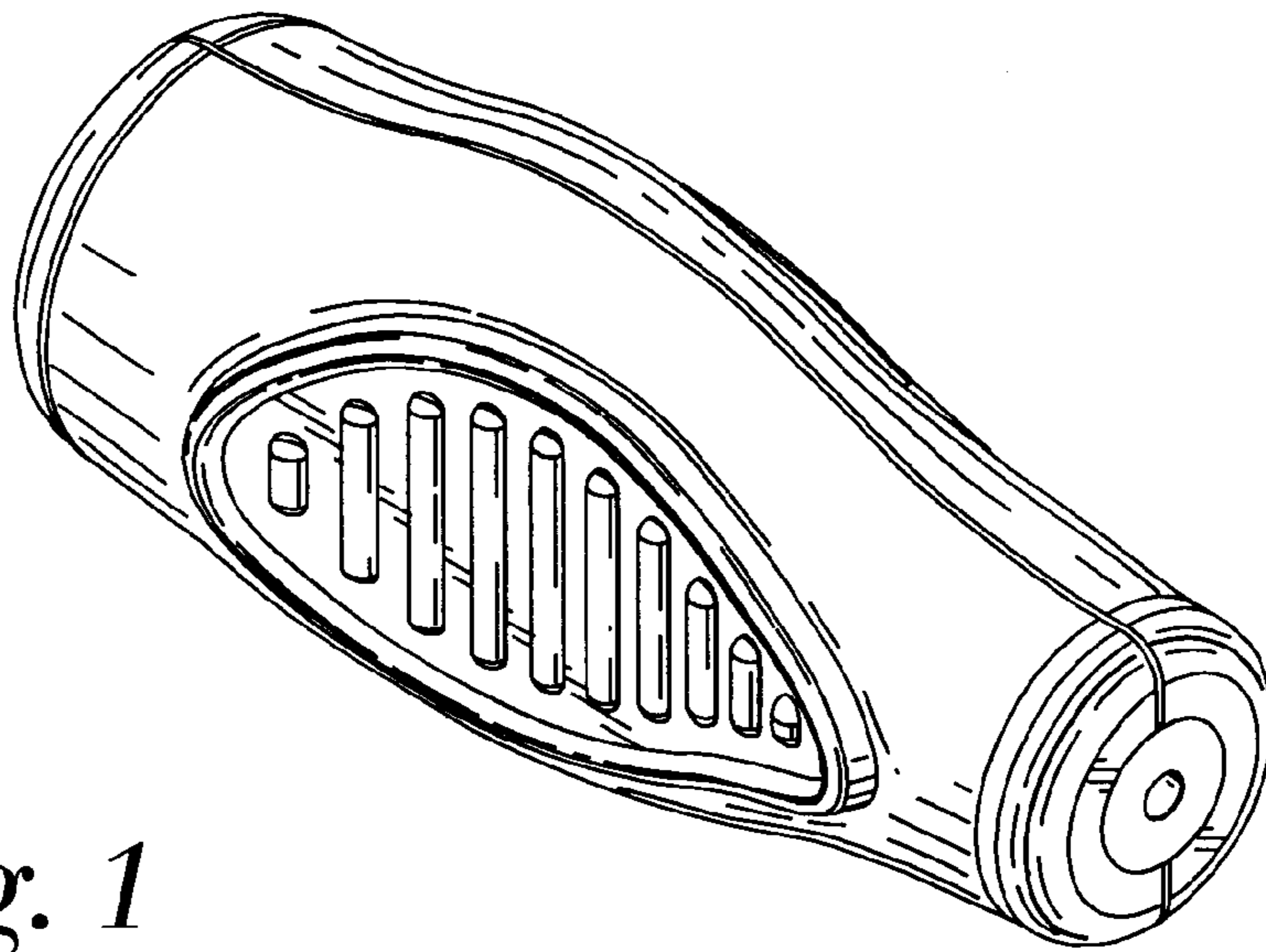


Fig. 1

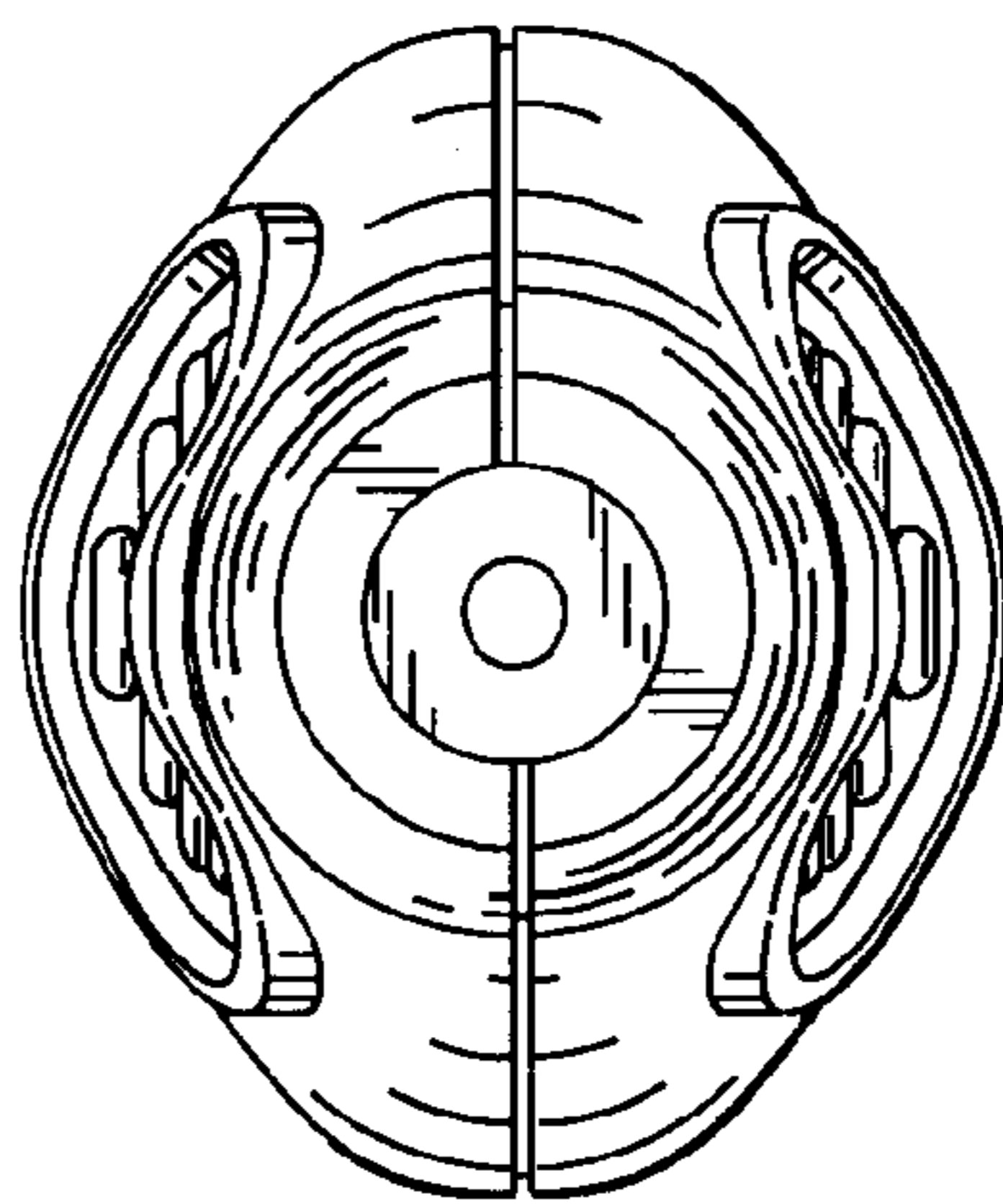


Fig. 2

Fig. 3

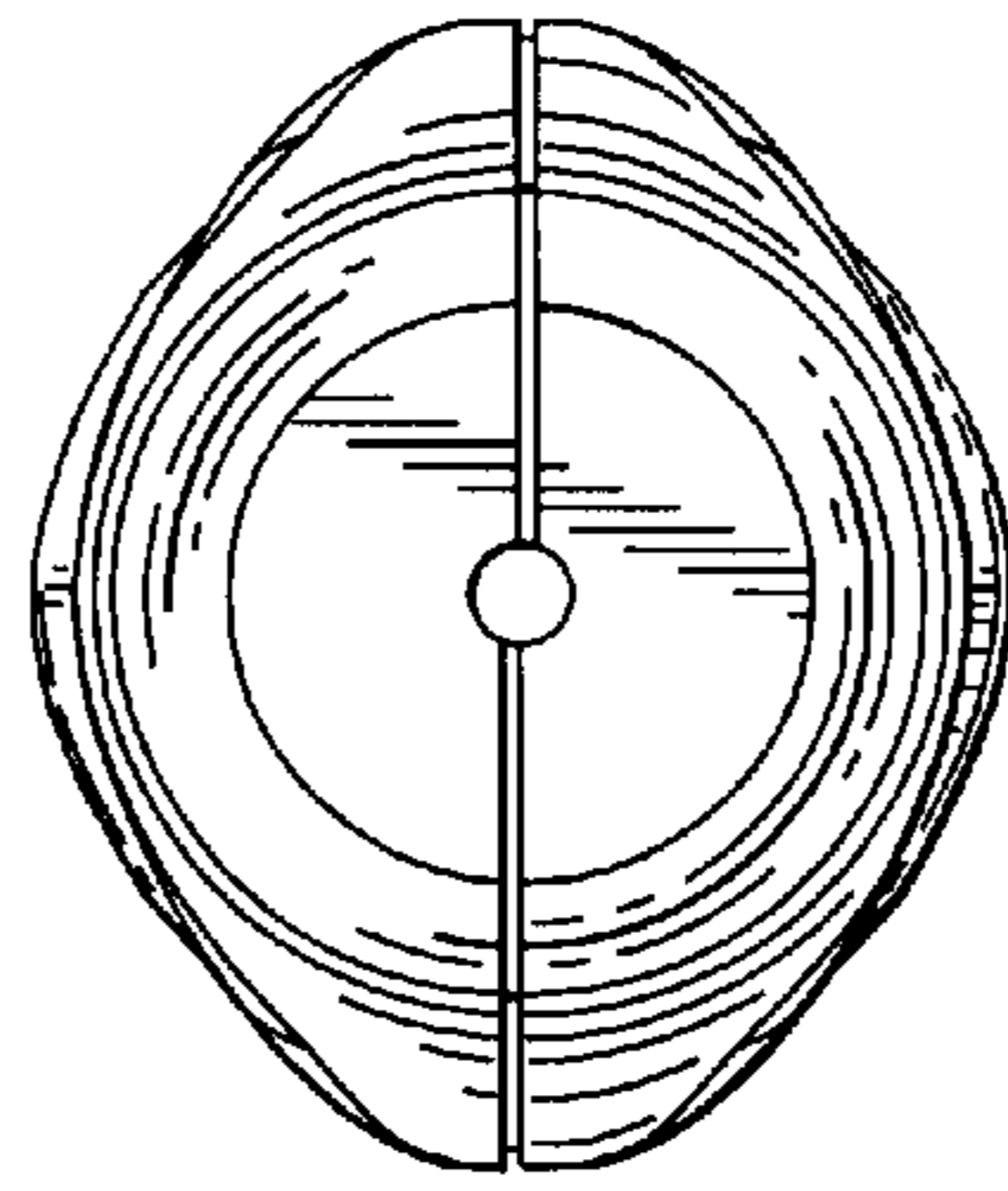


Fig. 4

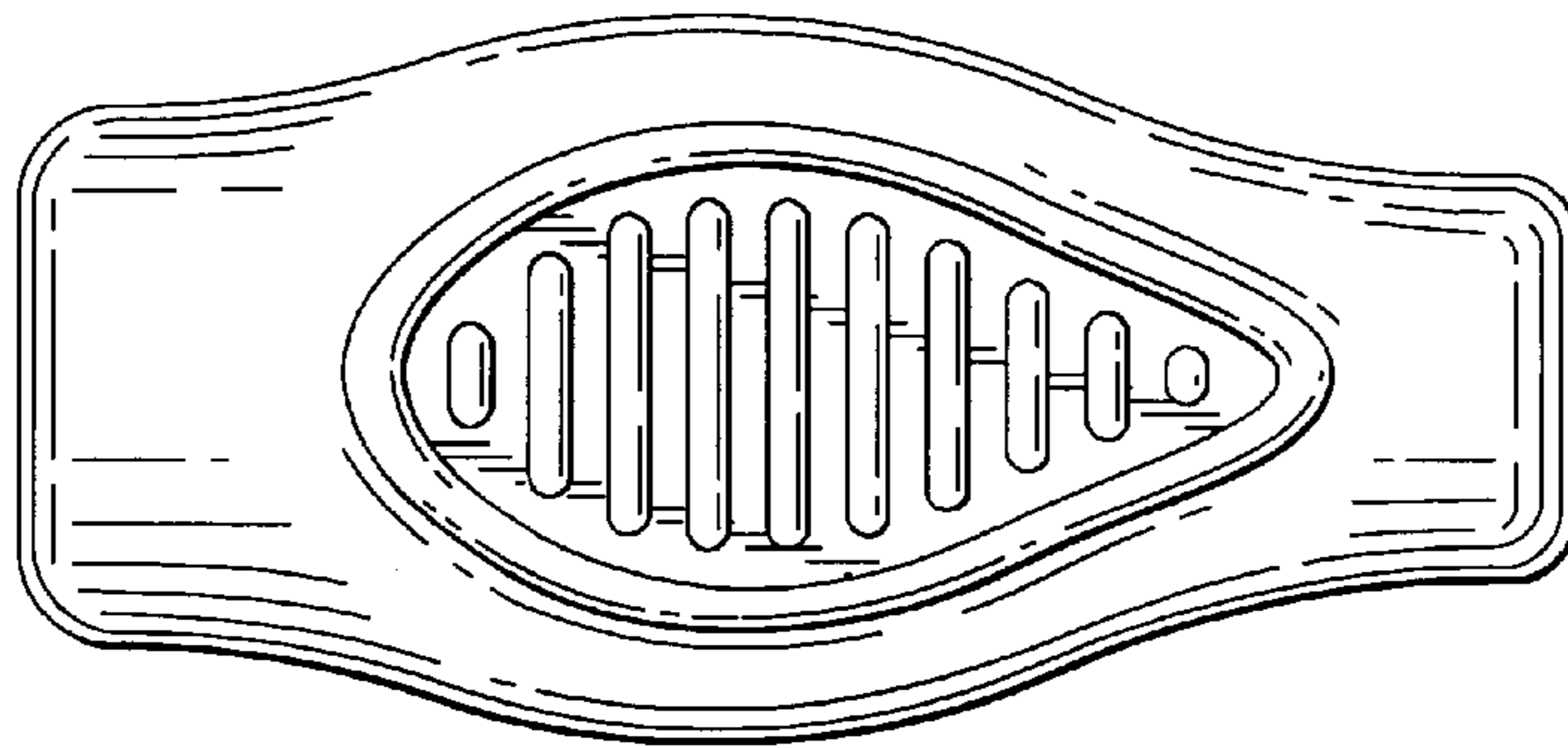


Fig. 5

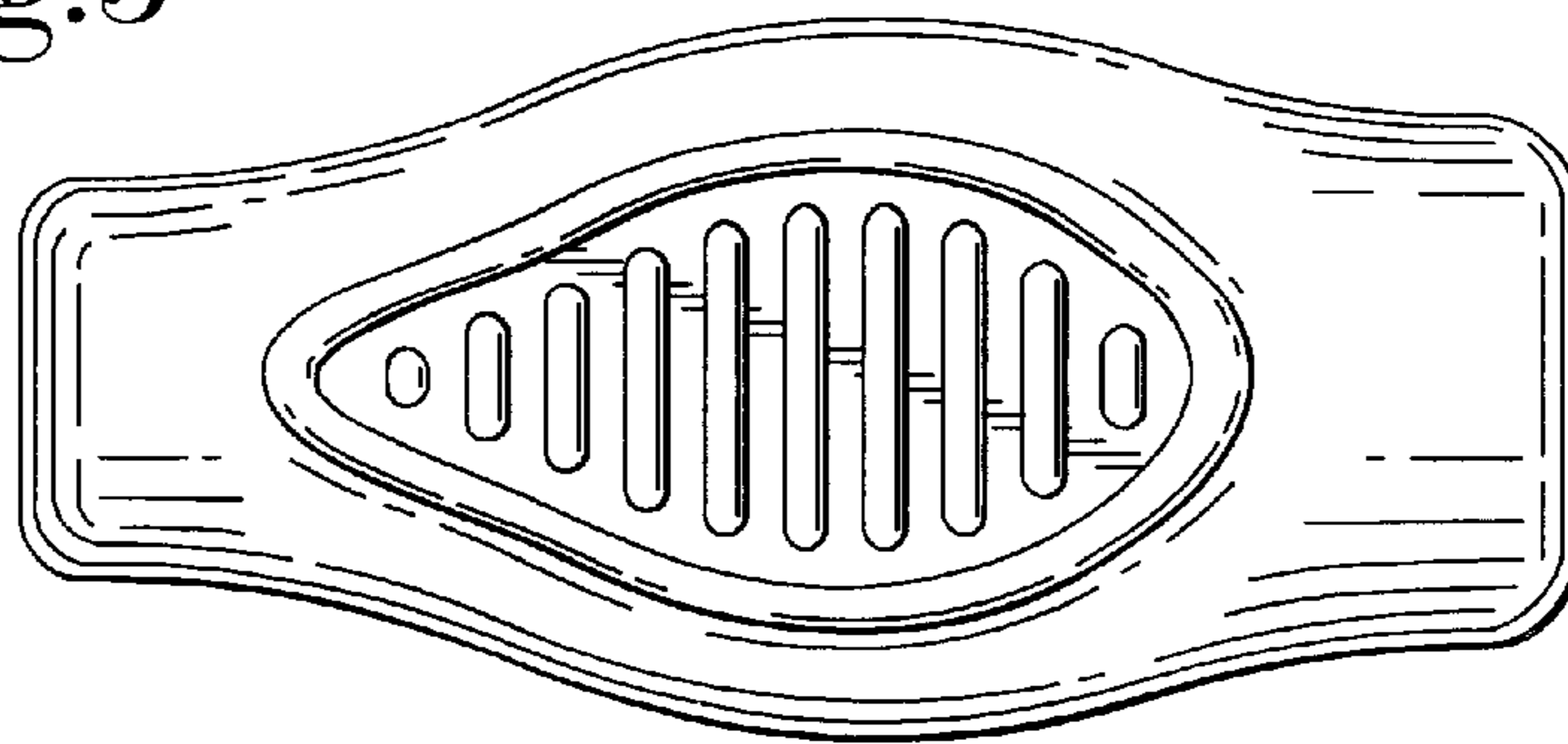


Fig. 6

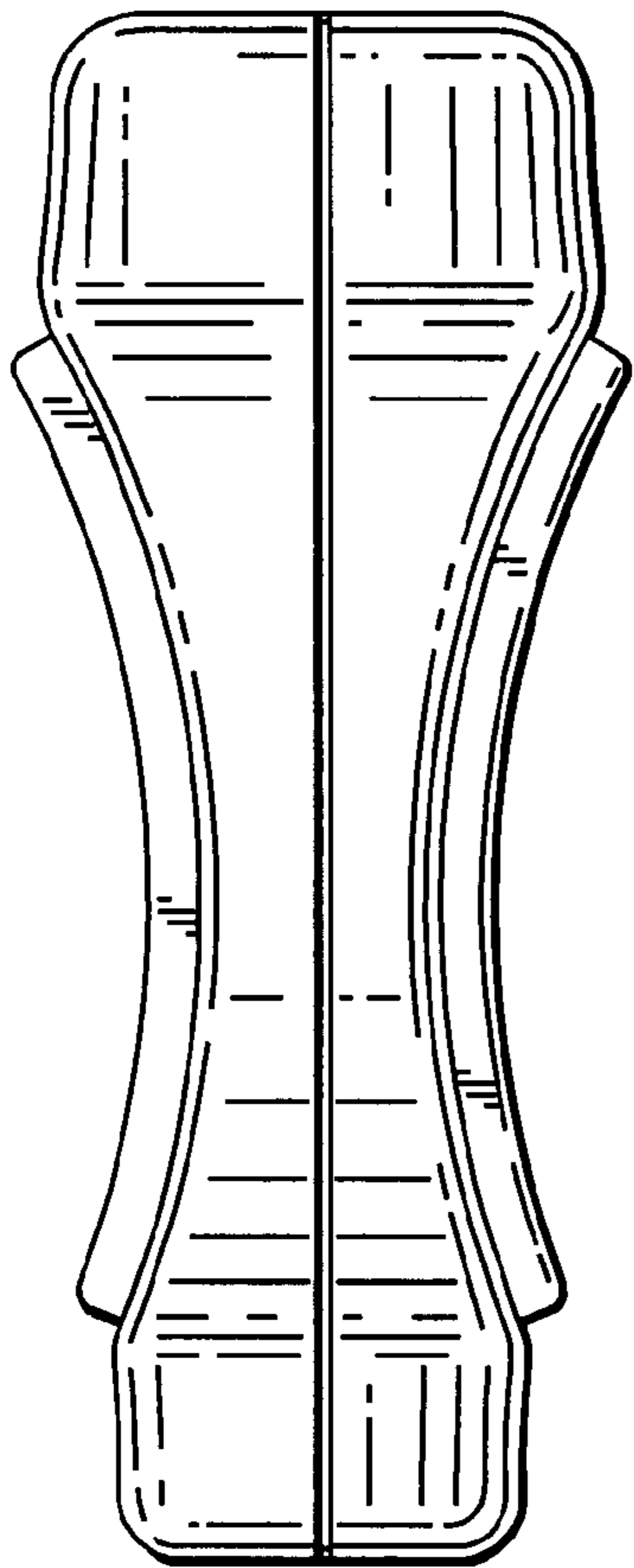


Fig. 7

