



US00D458678S

(12) **United States Design Patent**  
**Cindrich**

(10) **Patent No.:** **US D458,678 S**

(45) **Date of Patent:** **\*\* Jun. 11, 2002**

(54) **INTRODUCER NEEDLE ASSEMBLY**

(75) **Inventor:** **Christopher N. Cindrich**, South Jordan, UT (US)

(73) **Assignee:** **Becton, Dickinson and Company**, Franklin Lakes, NJ (US)

(\*\*) **Term:** **14 Years**

(21) **Appl. No.:** **29/142,442**

(22) **Filed:** **May 25, 2001**

(51) **LOC (7) Cl.** ..... **24-02**

(52) **U.S. Cl.** ..... **D24/130**

(58) **Field of Search** ..... D24/130, 112, D24/146; 604/179, 180, 177, 164.01, 167.02, 174, 192, 158, 166.01, 164.02, 164.04, 164.07, 164.09, 508, 506, 513

(56) **References Cited**

**U.S. PATENT DOCUMENTS**

- D378,405 S \* 3/1997 Musgrave et al. .... D24/112
- D417,733 S \* 12/1999 Howell et al. .... D24/112
- D421,119 S \* 2/2000 Musgrave et al. .... D24/112

\* cited by examiner

*Primary Examiner*—Ian Simmons

(74) *Attorney, Agent, or Firm*—Eric M. Lee; James J. Murtha

(57) **CLAIM**

The ornamental design for an introducer needle assembly, as shown and described.

**DESCRIPTION**

FIG. 1 is a perspective view of an introducer needle assembly showing my design;

FIG. 2 is a rear perspective view of the assembly of FIG. 1;

FIG. 3 is a front elevational view of the assembly of FIG. 1;

FIG. 4 is a rear elevational view of the assembly of FIG. 1;

FIG. 5 is a top plan view of the assembly of FIG. 1;

FIG. 6 is a right-side elevational view of the assembly of FIG. 1; and,

FIG. 7 is a bottom plan view of the assembly of FIG. 1.

The broken line showing in FIGS. 1, 2, 3 and 5 through 7 are for illustrative purposes only and forms no part of the claimed design.

**1 Claim, 5 Drawing Sheets**

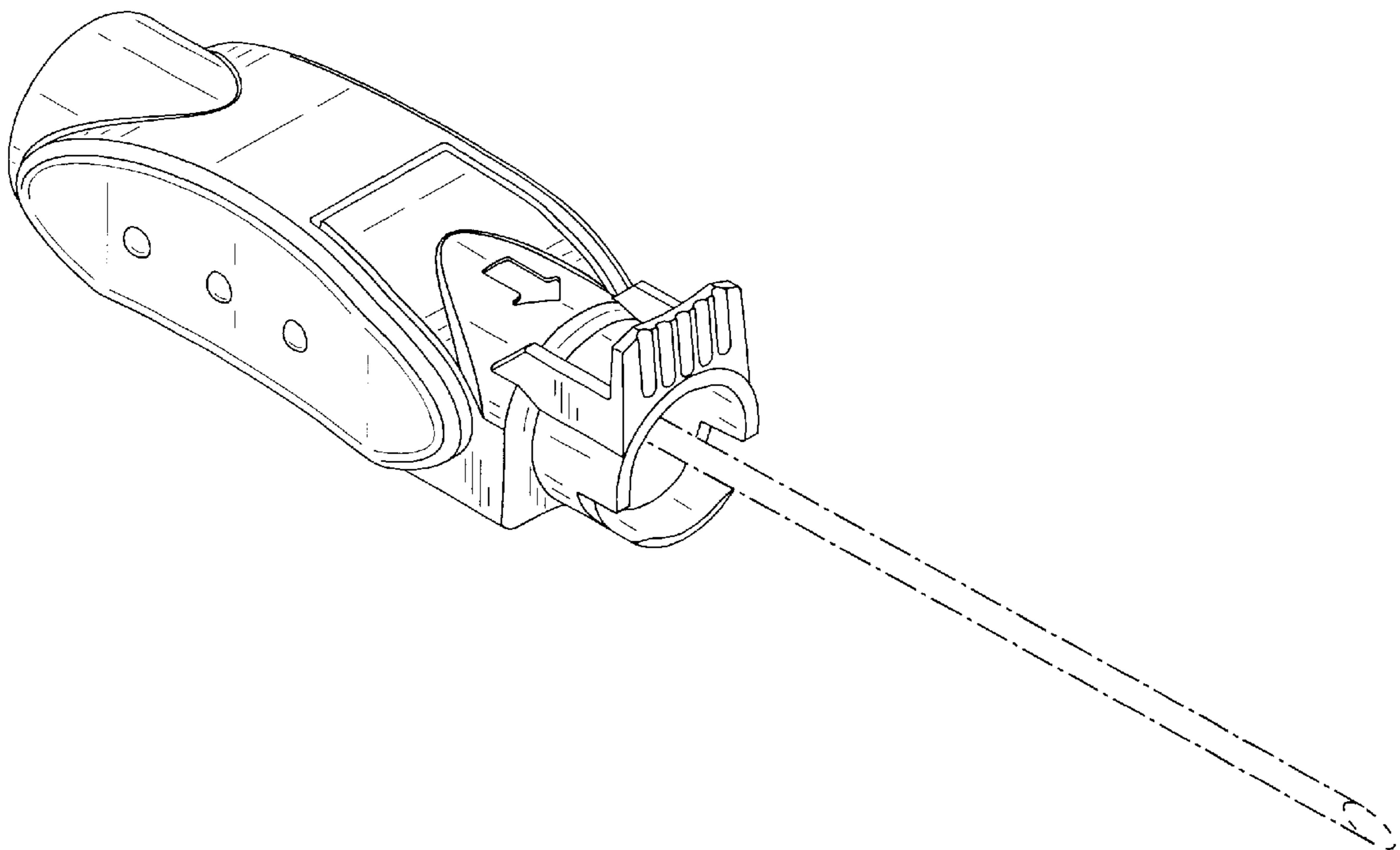


FIG. 1

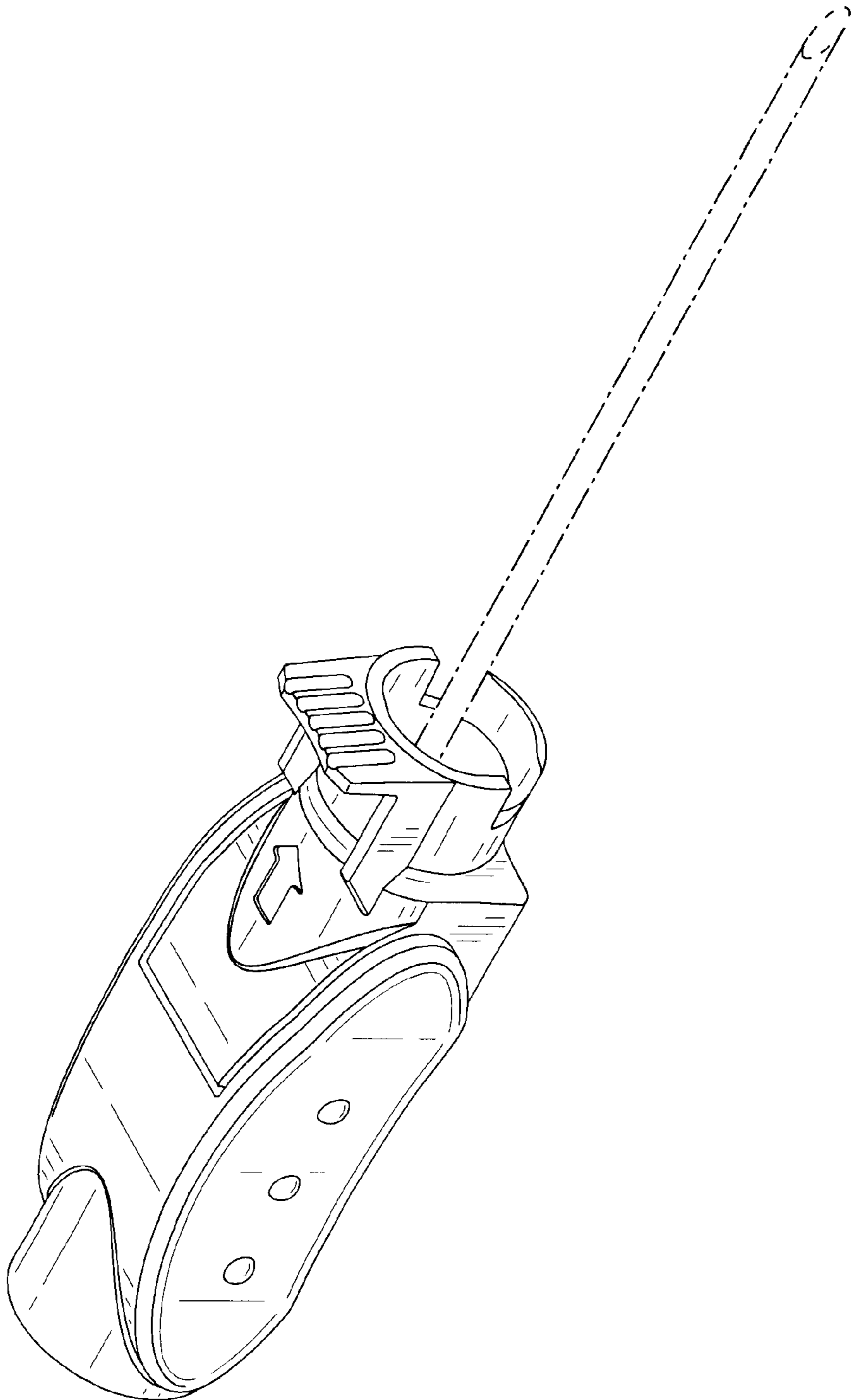


FIG. 2

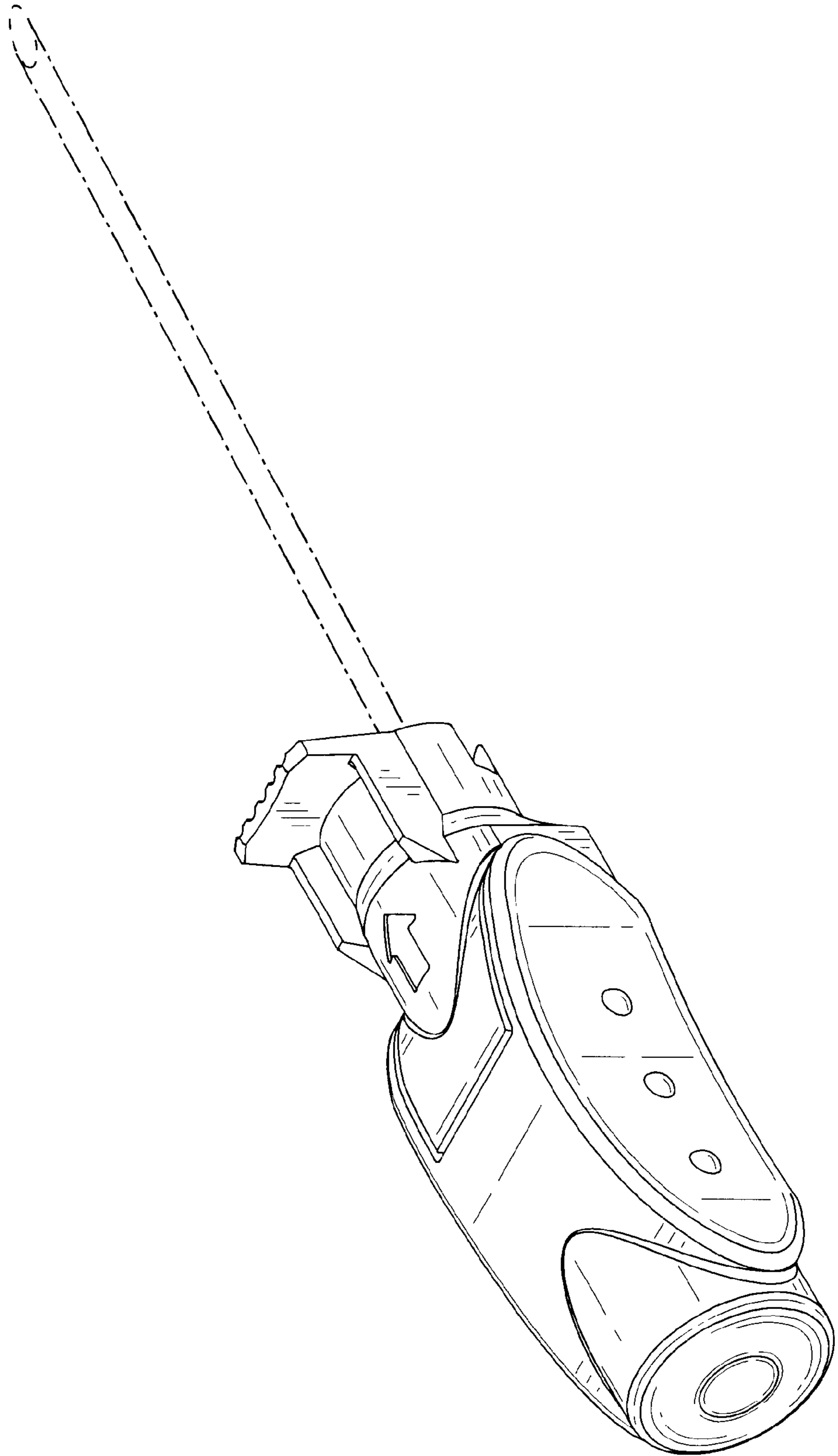


FIG. 4

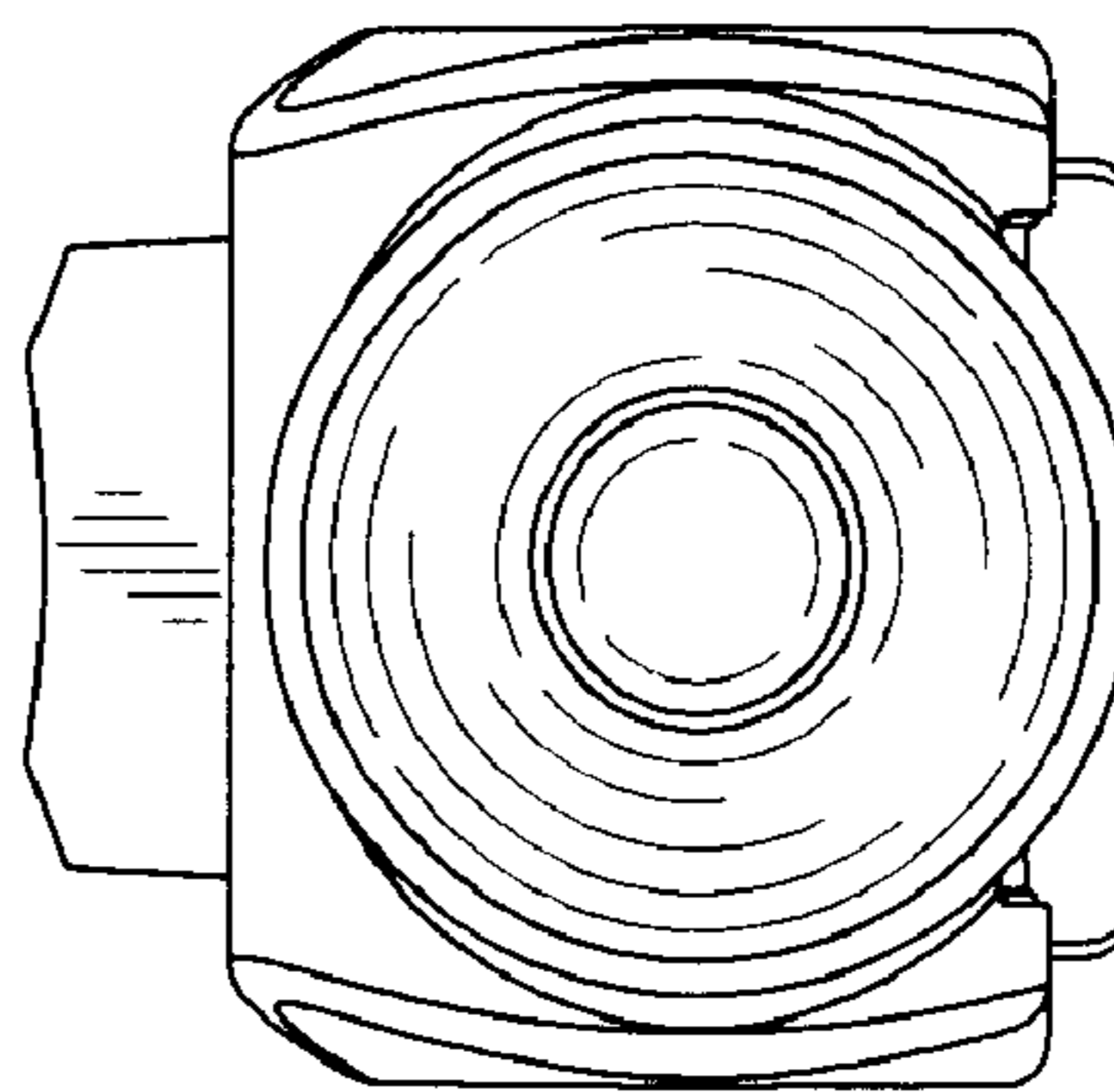


FIG. 3

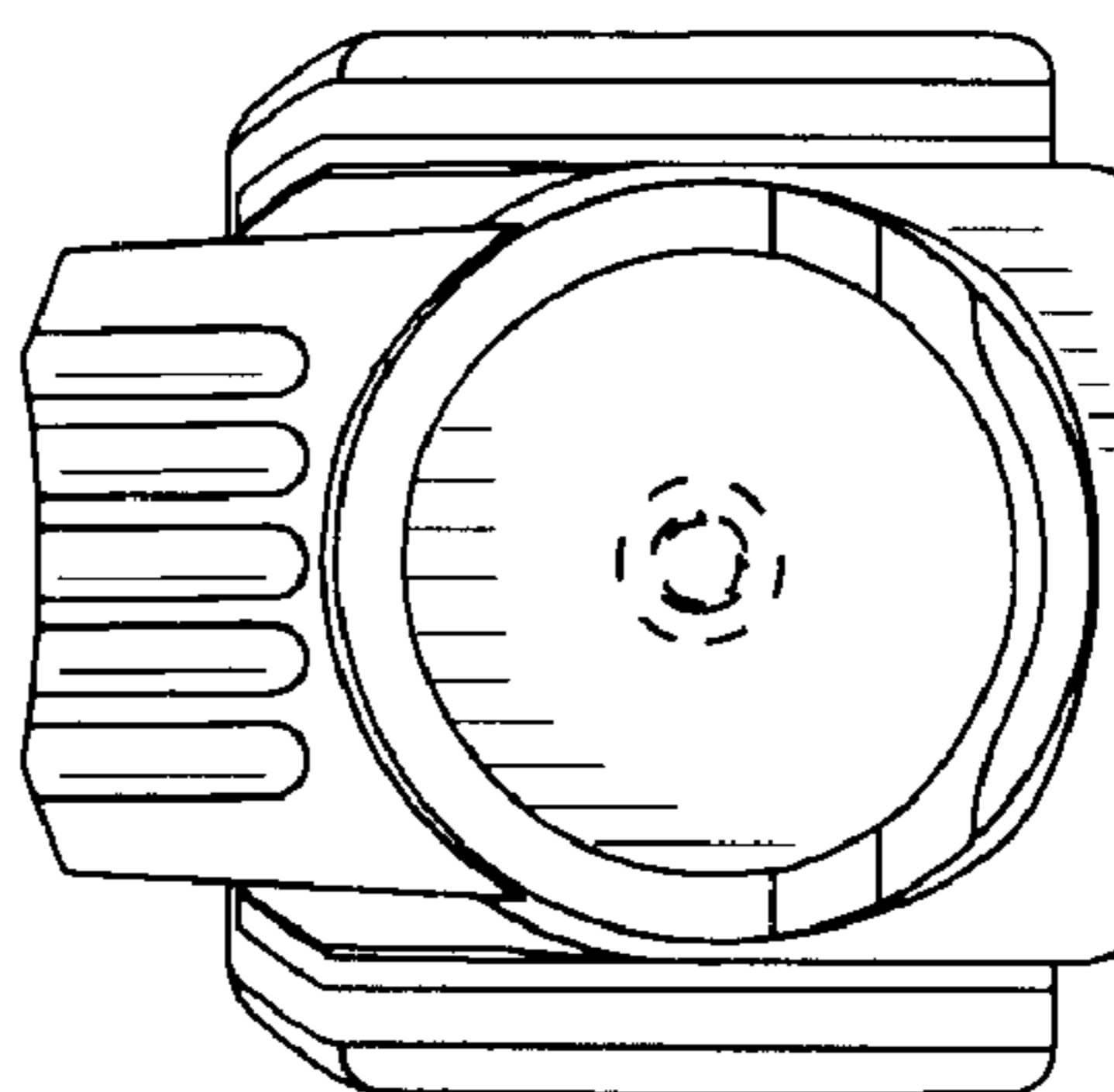


FIG. 5

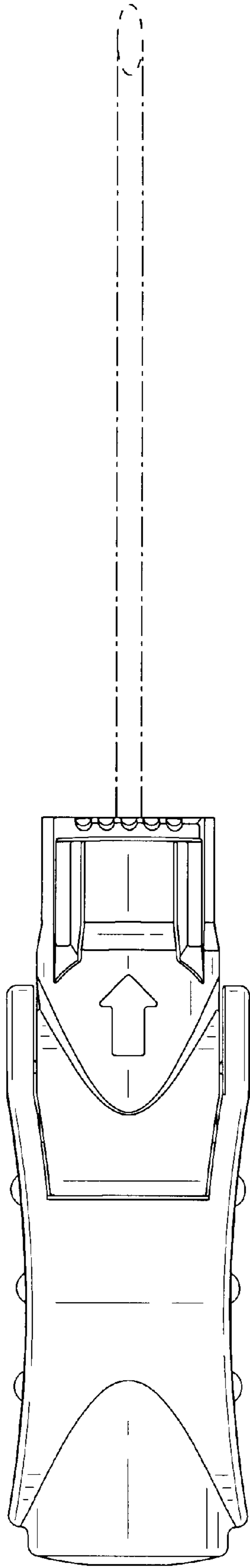


FIG. 6

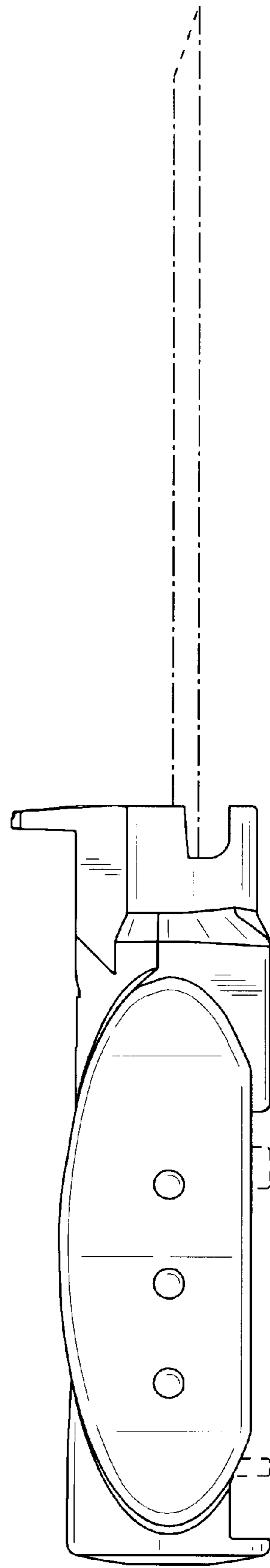


FIG. 7

