



US00D458674S

(12) **United States Design Patent**
Ropponen

(10) **Patent No.:** **US D458,674 S**

(45) **Date of Patent:** **** Jun. 11, 2002**

(54) **HOLDER FOR FAN**

(75) Inventor: **Matti Ropponen**, Espoo (FI)

(73) Assignee: **Fibox Oy Ab**, Jorvas (FI)

(**) Term: **14 Years**

(21) Appl. No.: **29/147,879**

(22) Filed: **Sep. 10, 2001**

(30) **Foreign Application Priority Data**

Mar. 12, 2001 (FI) M-20010166

(51) **LOC (7) Cl.** **23-04**

(52) **U.S. Cl.** **D23/411**

(58) **Field of Search** D23/381, 382,
D23/335-337, 411, 37 D; 416/246 R, 247 R;
D28/12-18

(56) **References Cited**

U.S. PATENT DOCUMENTS

4,412,478 A * 11/1983 Osher et al. 416/247

D349,570 S * 8/1994 Radtke, Jr. D23/381

* cited by examiner

Primary Examiner—Lisa Lichtenstein

(74) *Attorney, Agent, or Firm*—Finnegan, Hendreson, Farabow, Garrett, & Dunner L.L.P.

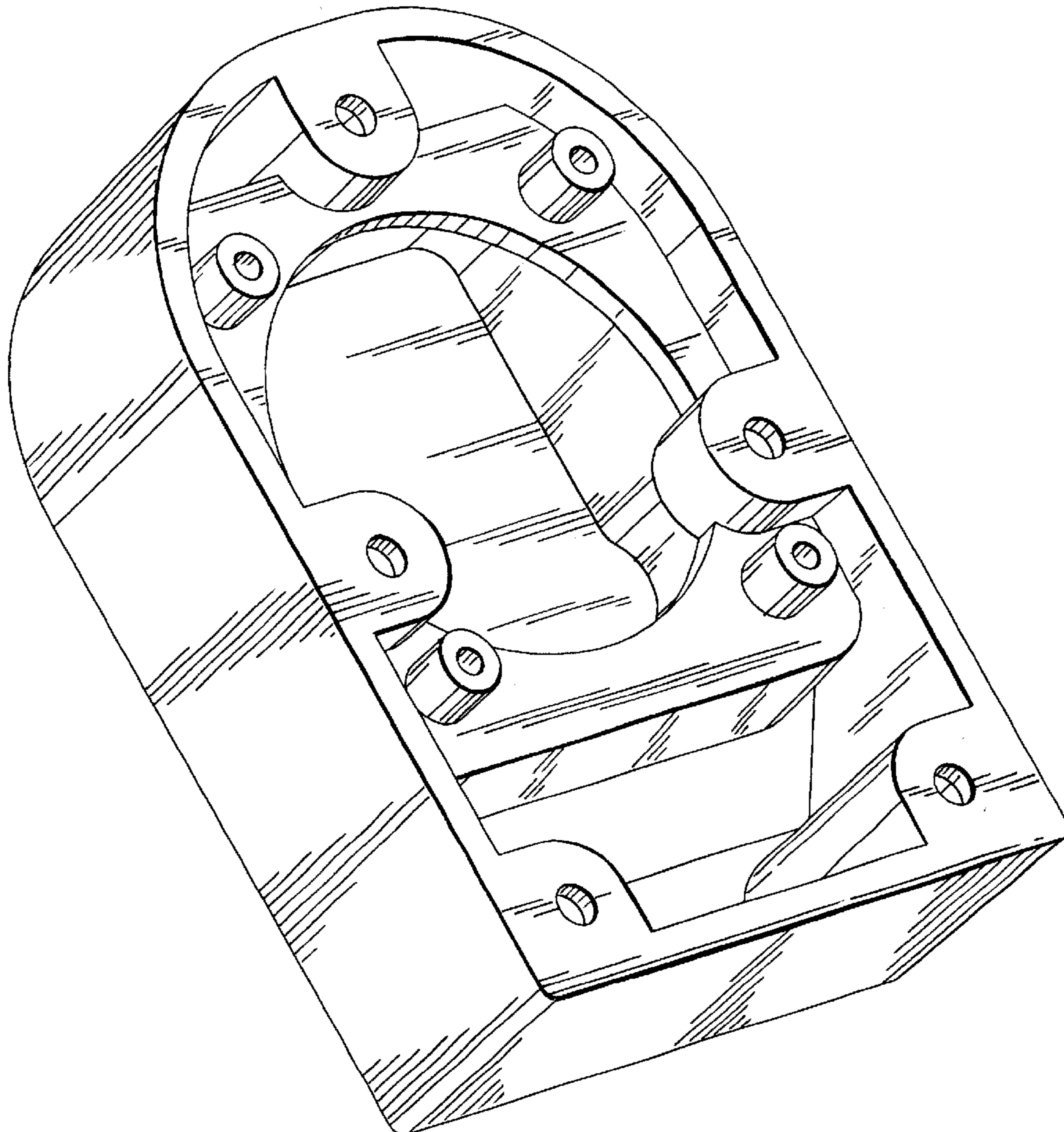
(57) **CLAIM**

The ornamental design for a holder for fan, as shown and described.

DESCRIPTION

FIG. 1 is a perspective front and bottom view of a holder for fan showing my new design;
FIG. 2 is a perspective rear and bottom view thereof;
FIG. 3 is a front view thereof;
FIG. 4 is a rear view thereof;
FIG. 5 is a top plan view thereof;
FIG. 6 is a bottom plan view thereof;
FIG. 7 is a right side view thereof; and,
FIG. 8 is a left side view thereof.

1 Claim, 7 Drawing Sheets



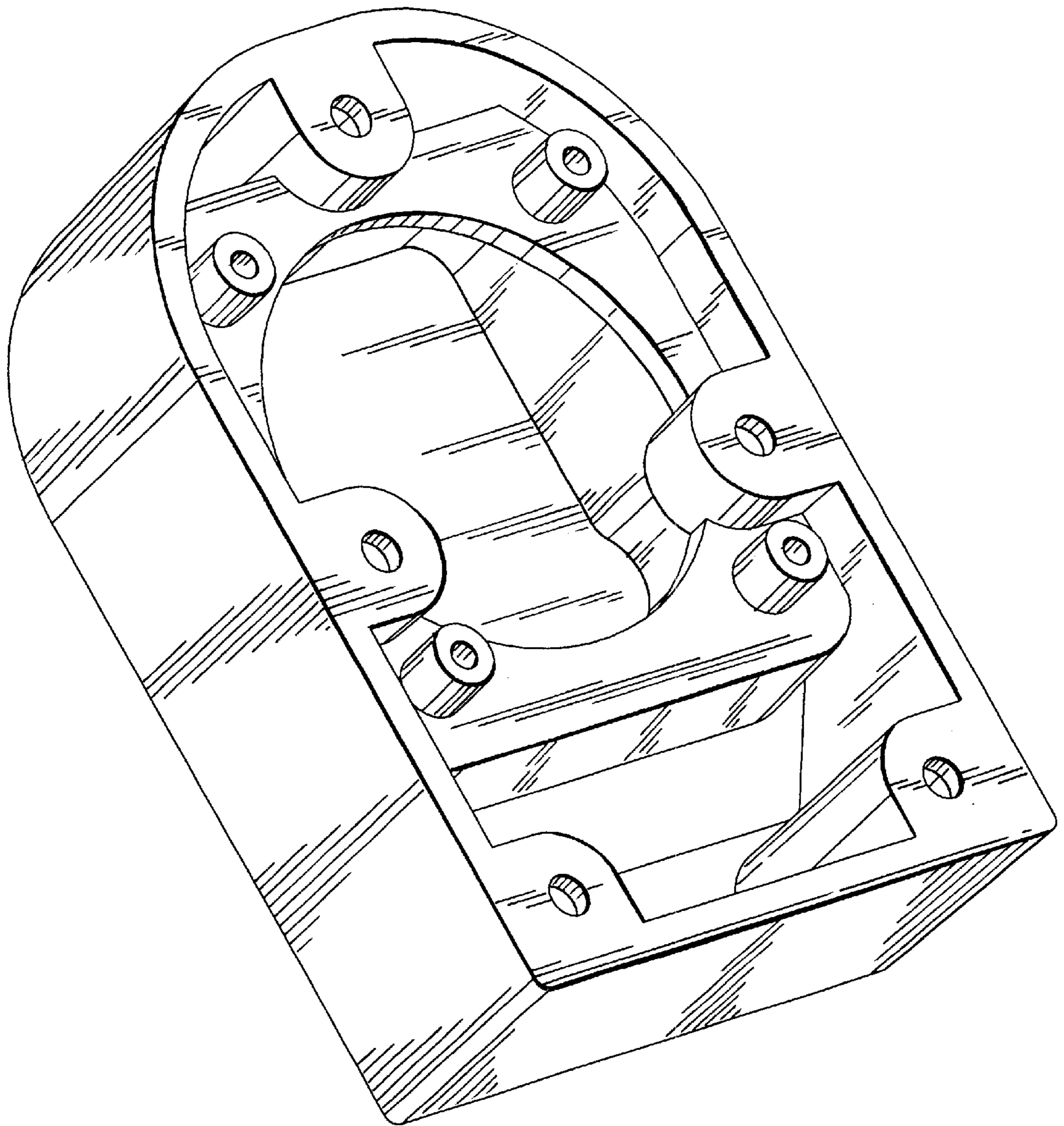


FIG. 1

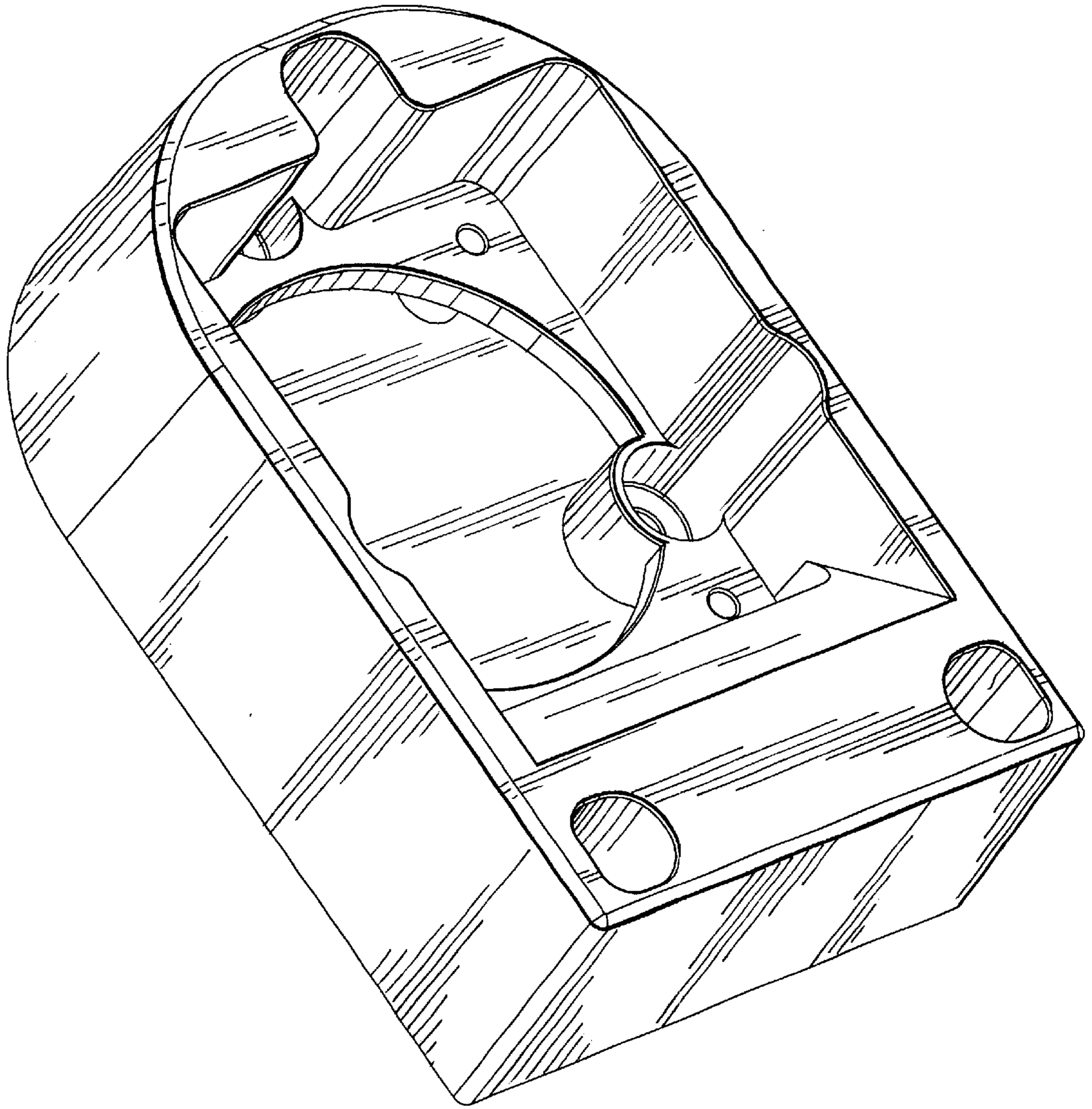


FIG. 2

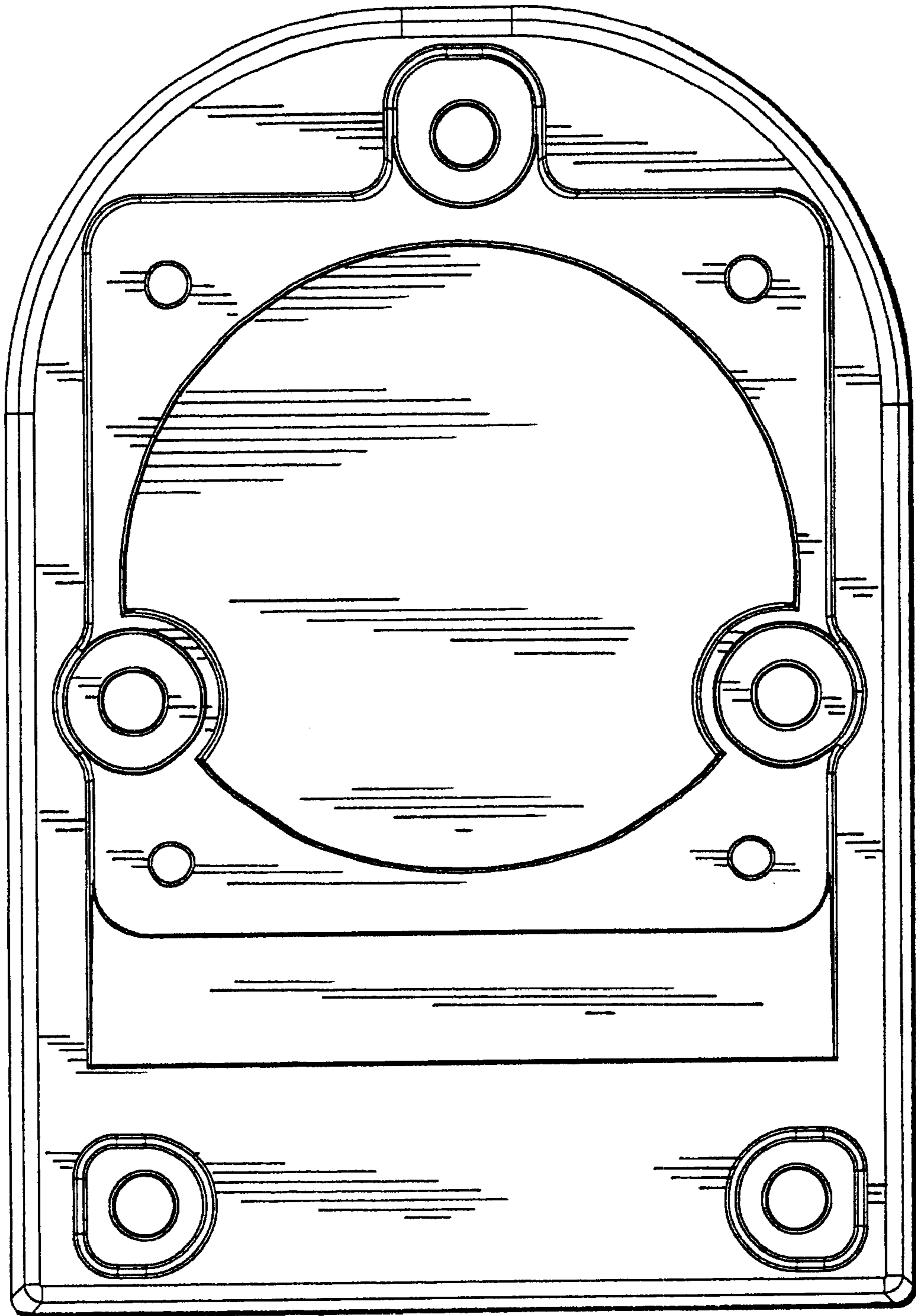


FIG. 3

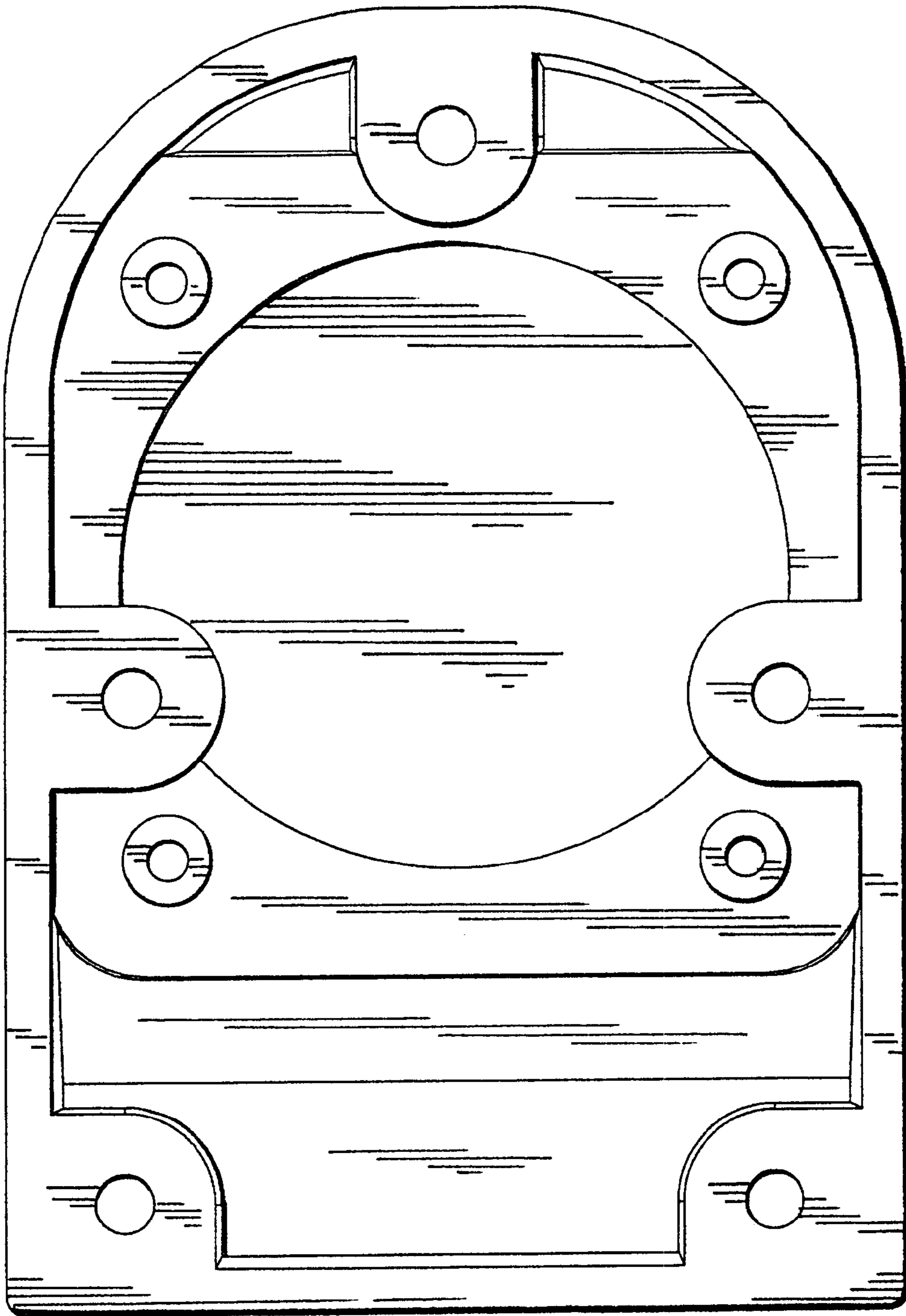


FIG. 4

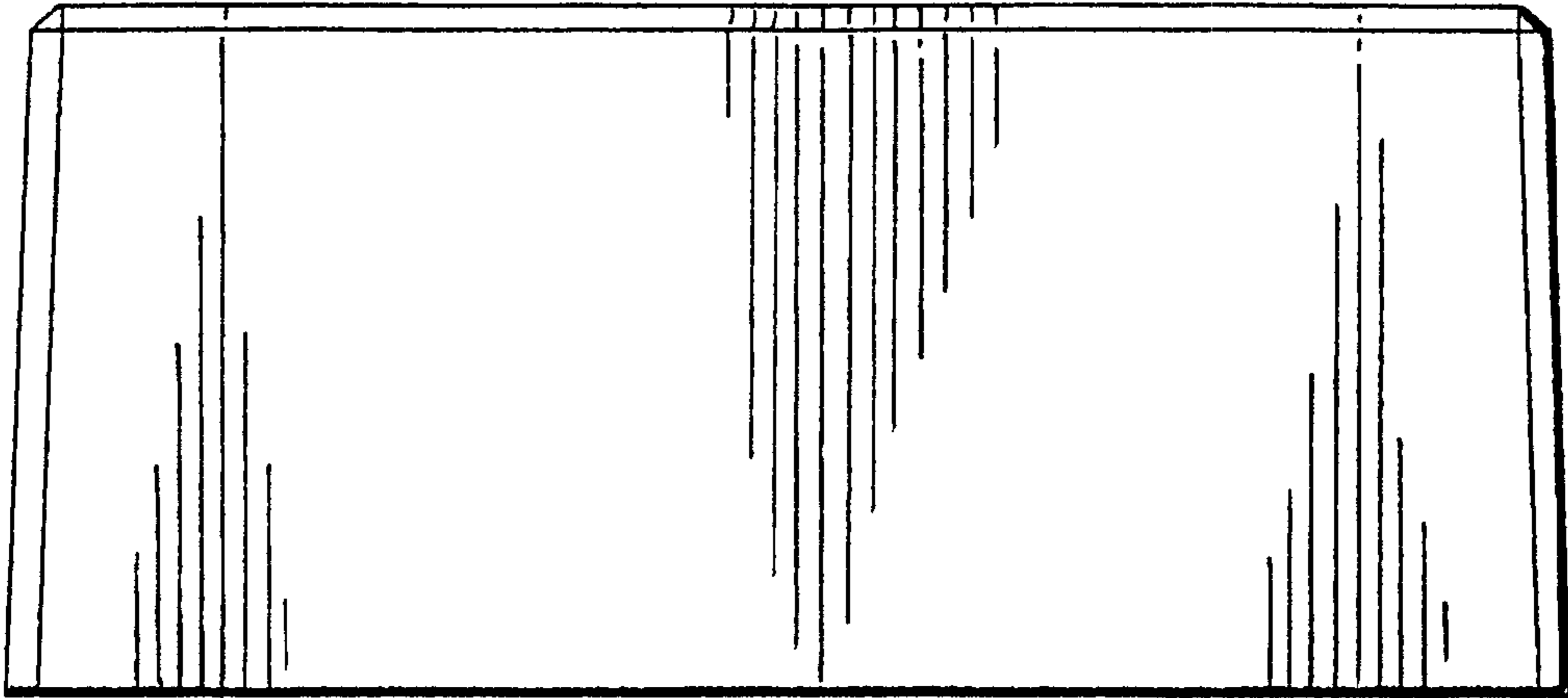


FIG. 6

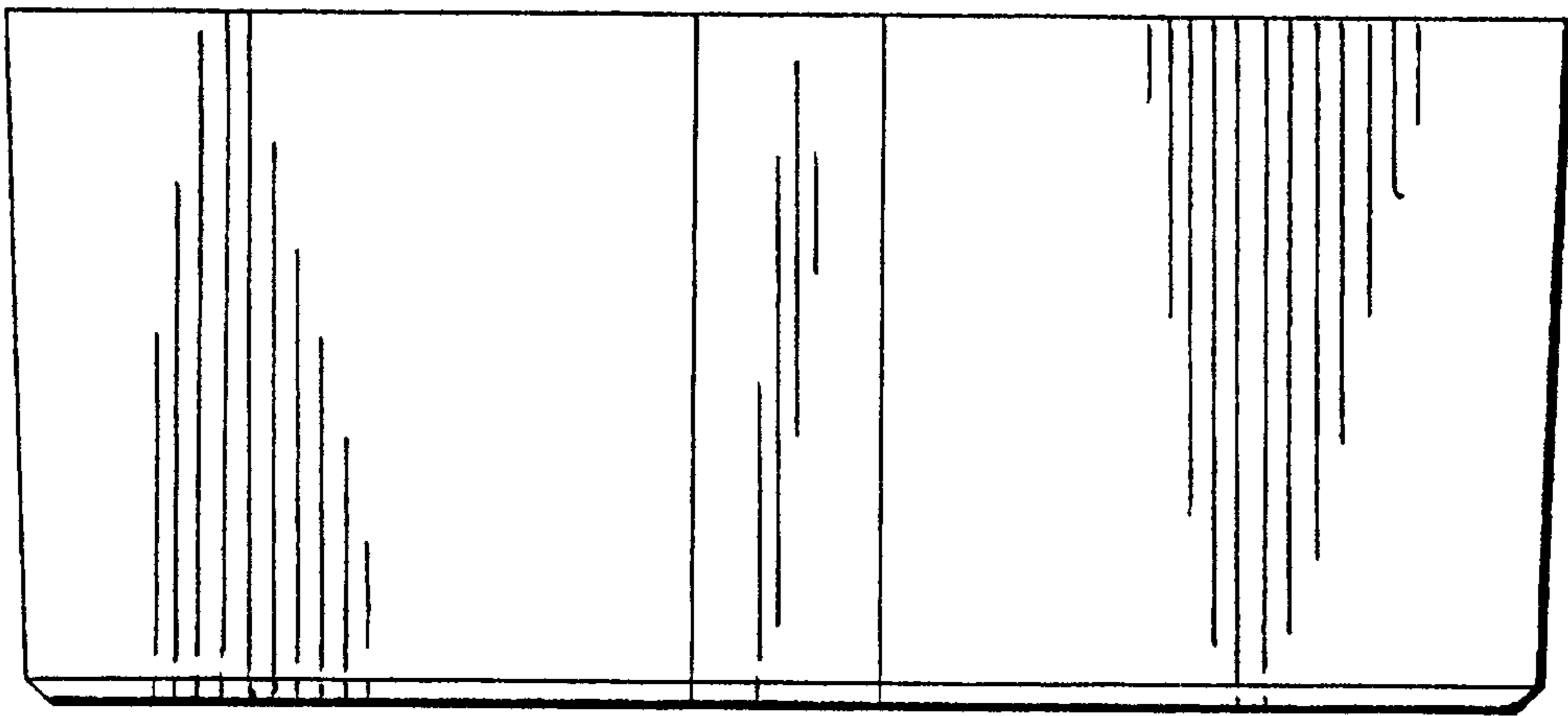


FIG. 5

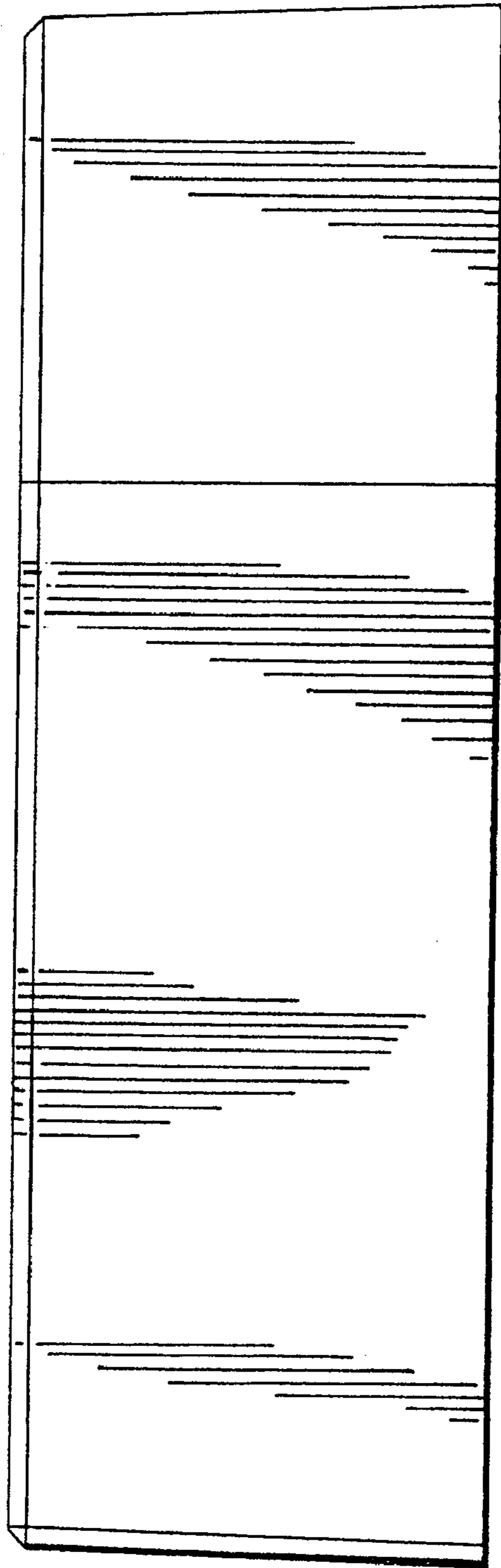


FIG. 7

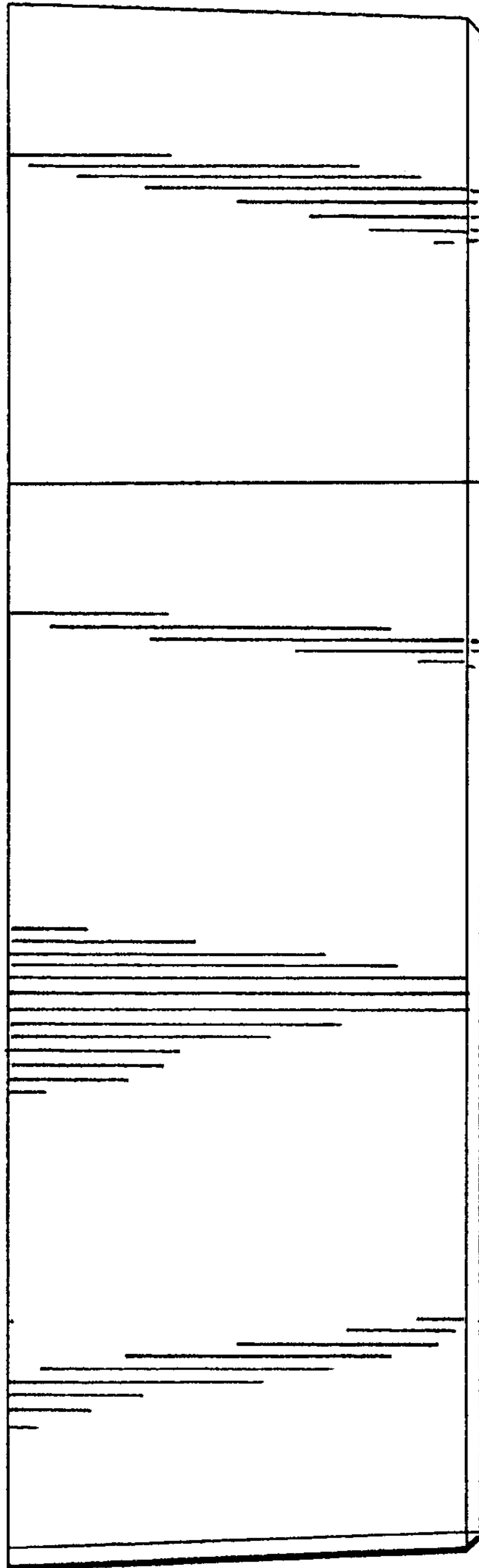


FIG. 8