



US00D458673S

(12) **United States Design Patent**
Melwani

(10) **Patent No.:** **US D458,673 S**
(45) **Date of Patent:** **** Jun. 11, 2002**

(54) **ELECTRIC FAN**

(75) Inventor: **Ravin G Melwani**, Hong Kong (HK)

(73) Assignee: **B.K. Rehatex (H.K.) Ltd.**, Kowloon (HK)

(**) Term: **14 Years**

(21) Appl. No.: **29/152,879**

(22) Filed: **Jan. 4, 2002**

(51) **LOC (7) Cl.** **23-04**

(52) **U.S. Cl.** **D23/379**

(58) **Field of Search** D23/379, 370,
D23/378, 413; 416/246 R, 247 R, 146 R

(56) **References Cited**

U.S. PATENT DOCUMENTS

D99,501 S * 5/1936 Devore D23/379

* cited by examiner

Primary Examiner—Lisa Lichtenstein

(74) *Attorney, Agent, or Firm*—Leydig, Voit, & Mayer, Ltd.

(57) **CLAIM**

The ornamental design for an electric fan, as shown and described.

DESCRIPTION

FIG. 1 is a front and left side perspective view of an electric fan showing my new design;

FIG. 2 is a front elevational view thereof;

FIG. 3 is a rear elevational view thereof;

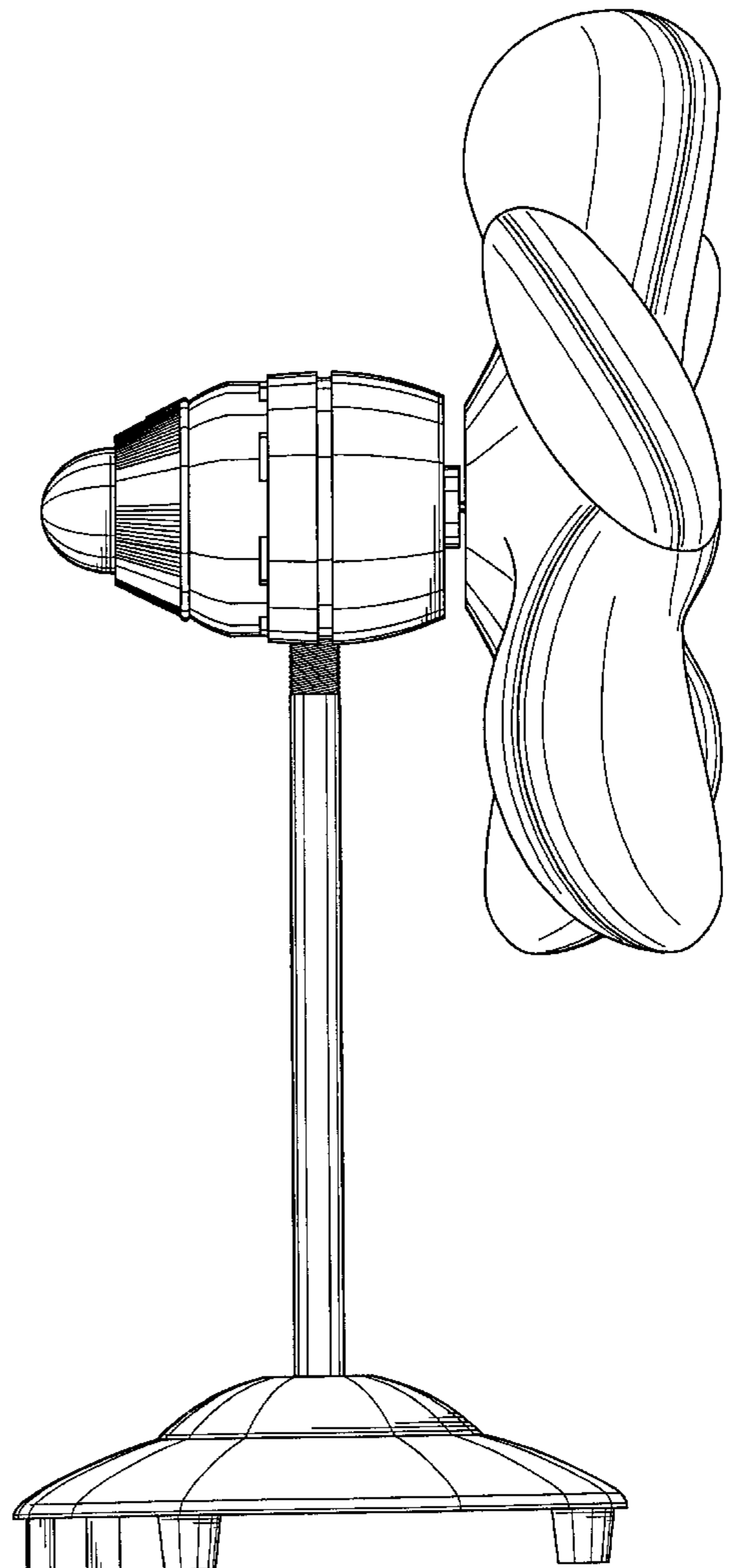
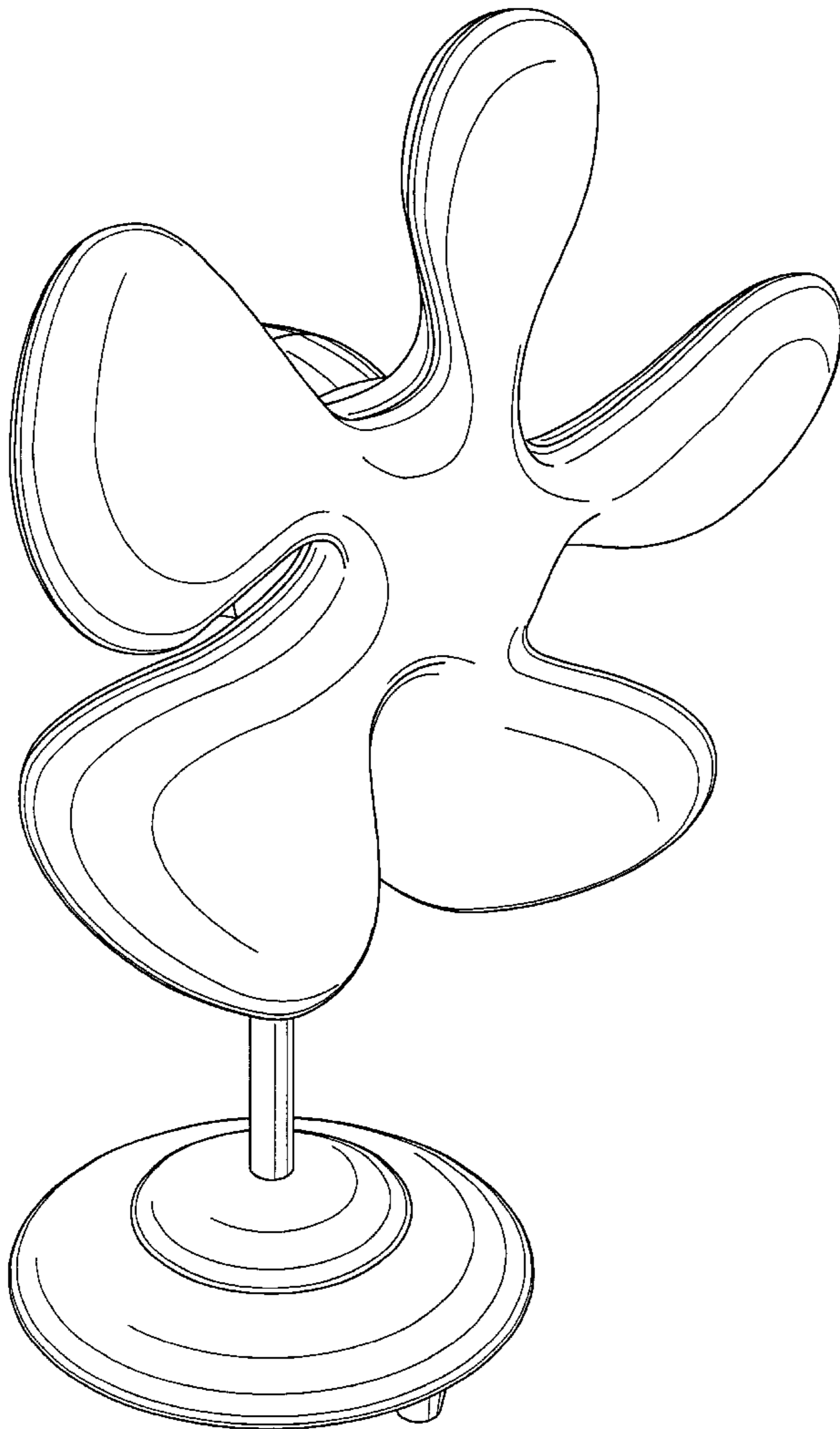
FIG. 4 is a left side elevational view thereof;

FIG. 5 is a right side elevational view thereof;

FIG. 6 is a top plan view thereof; and,

FIG. 7 is a bottom plan view thereof.

1 Claim, 7 Drawing Sheets



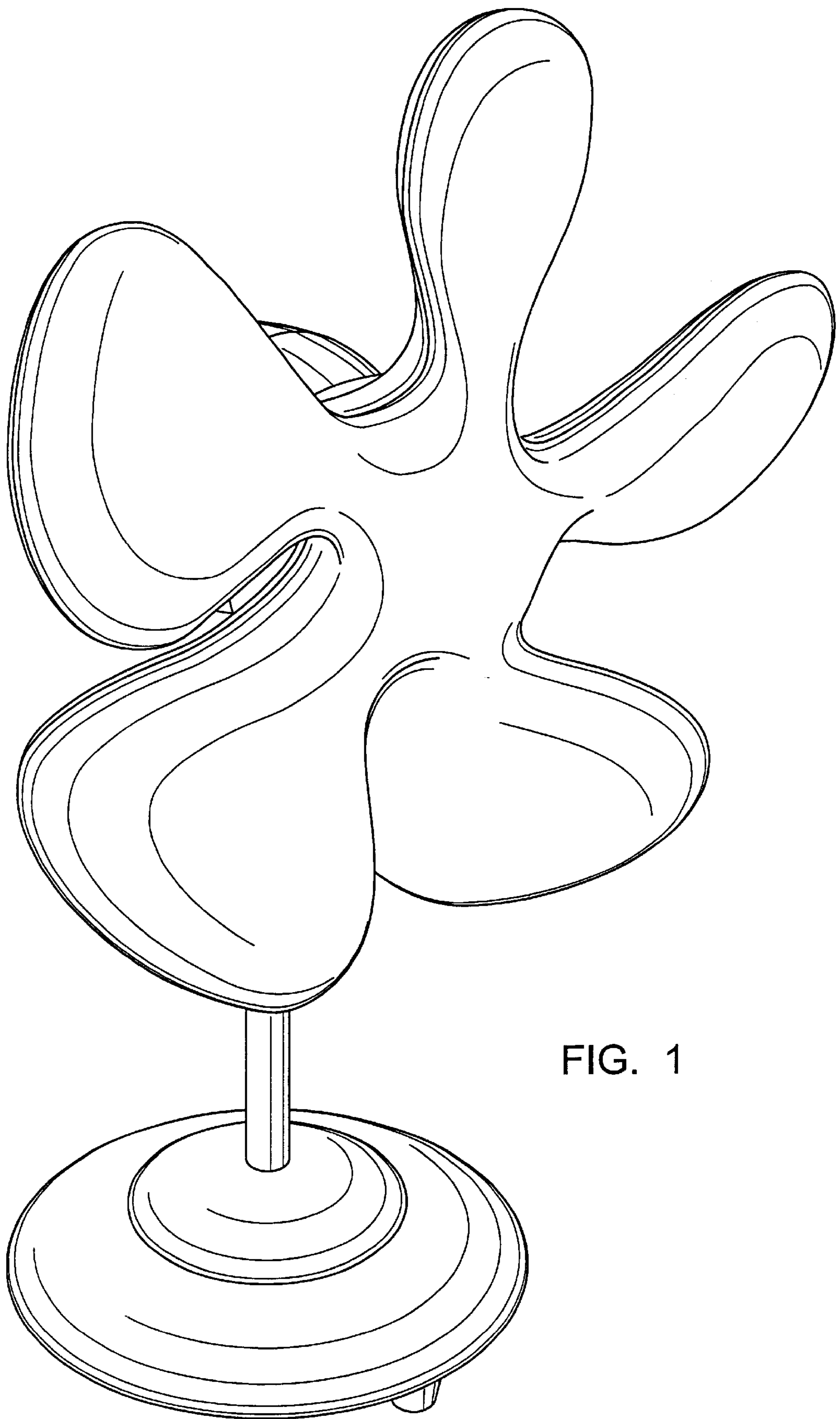


FIG. 1

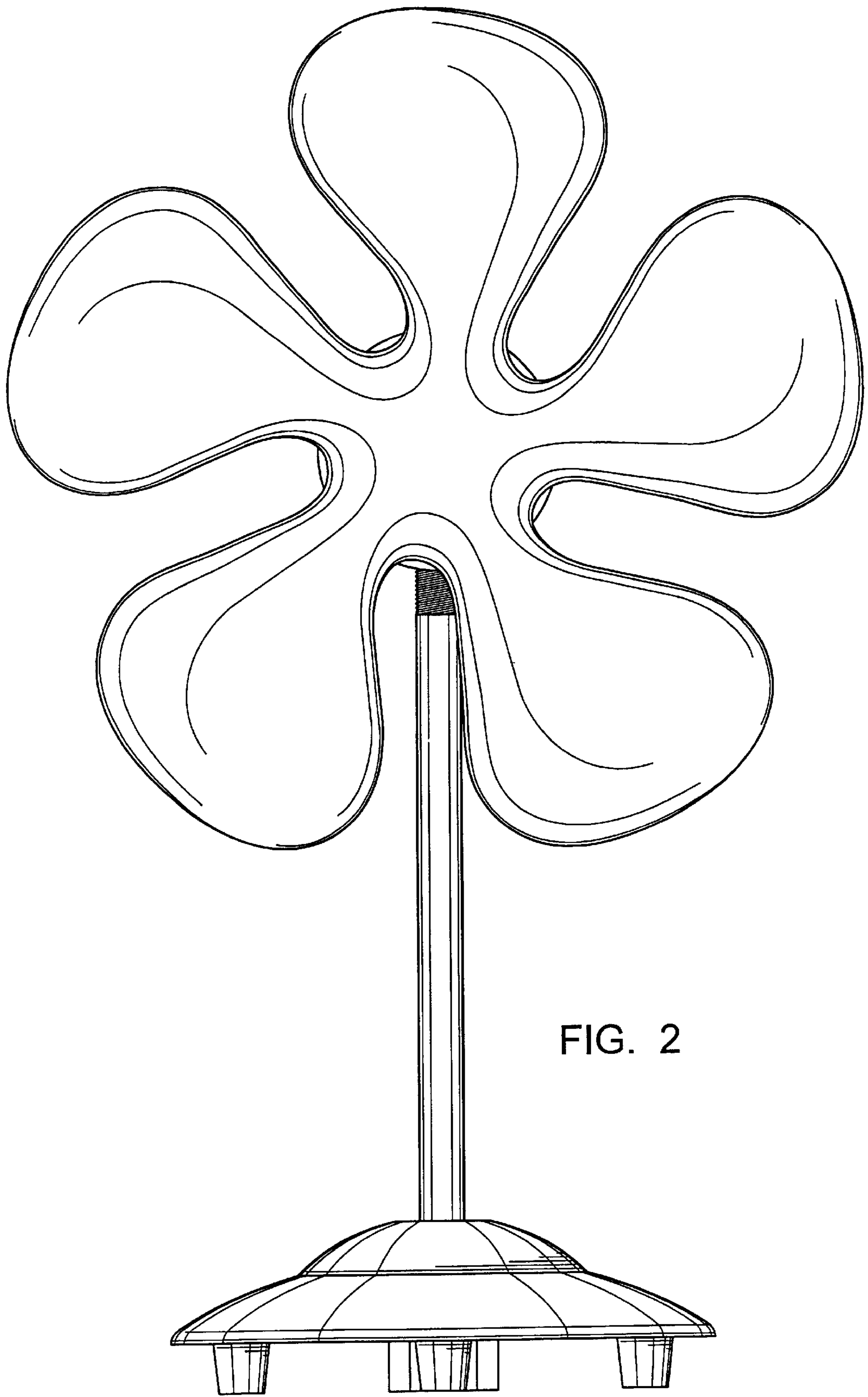


FIG. 2

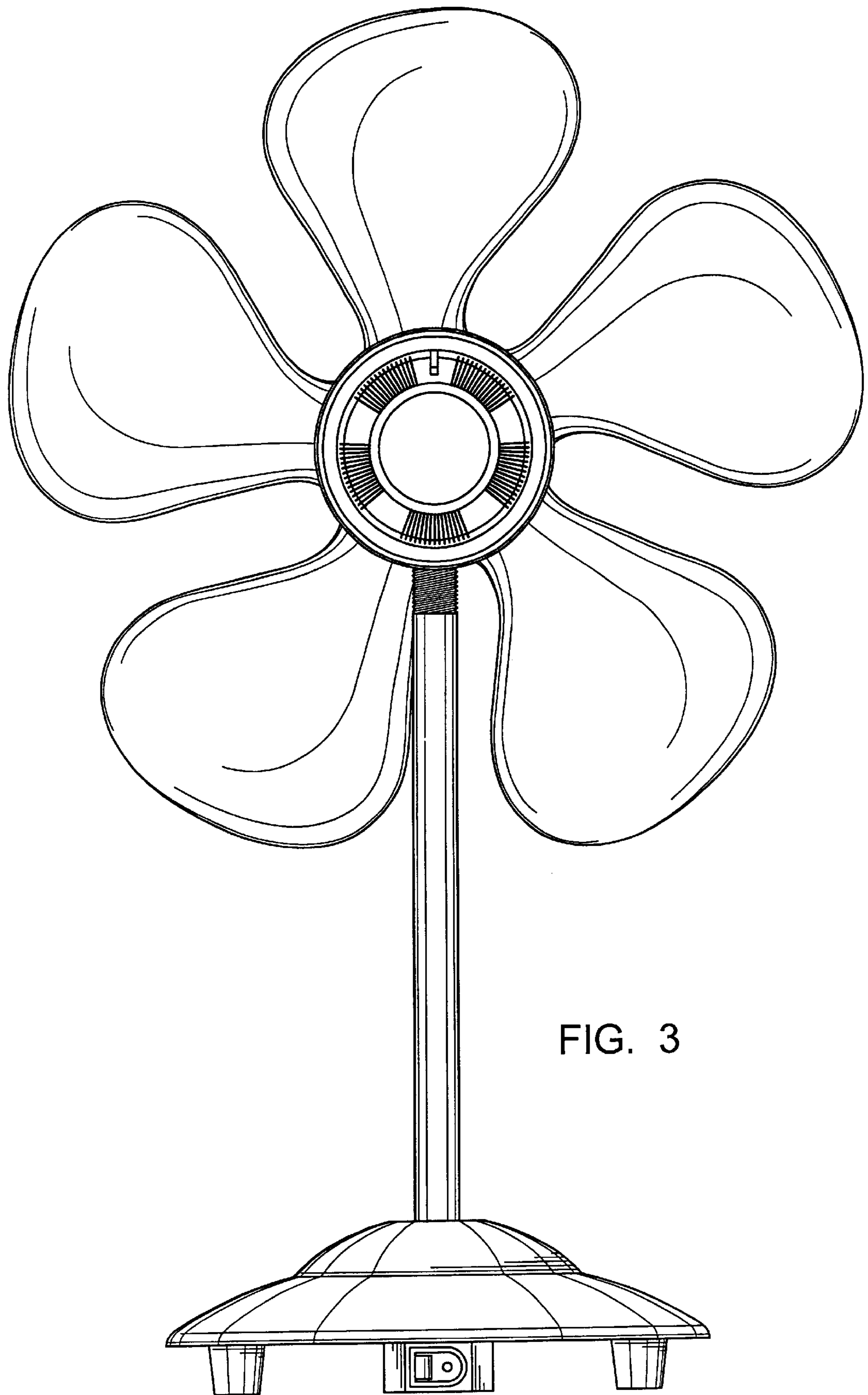


FIG. 3

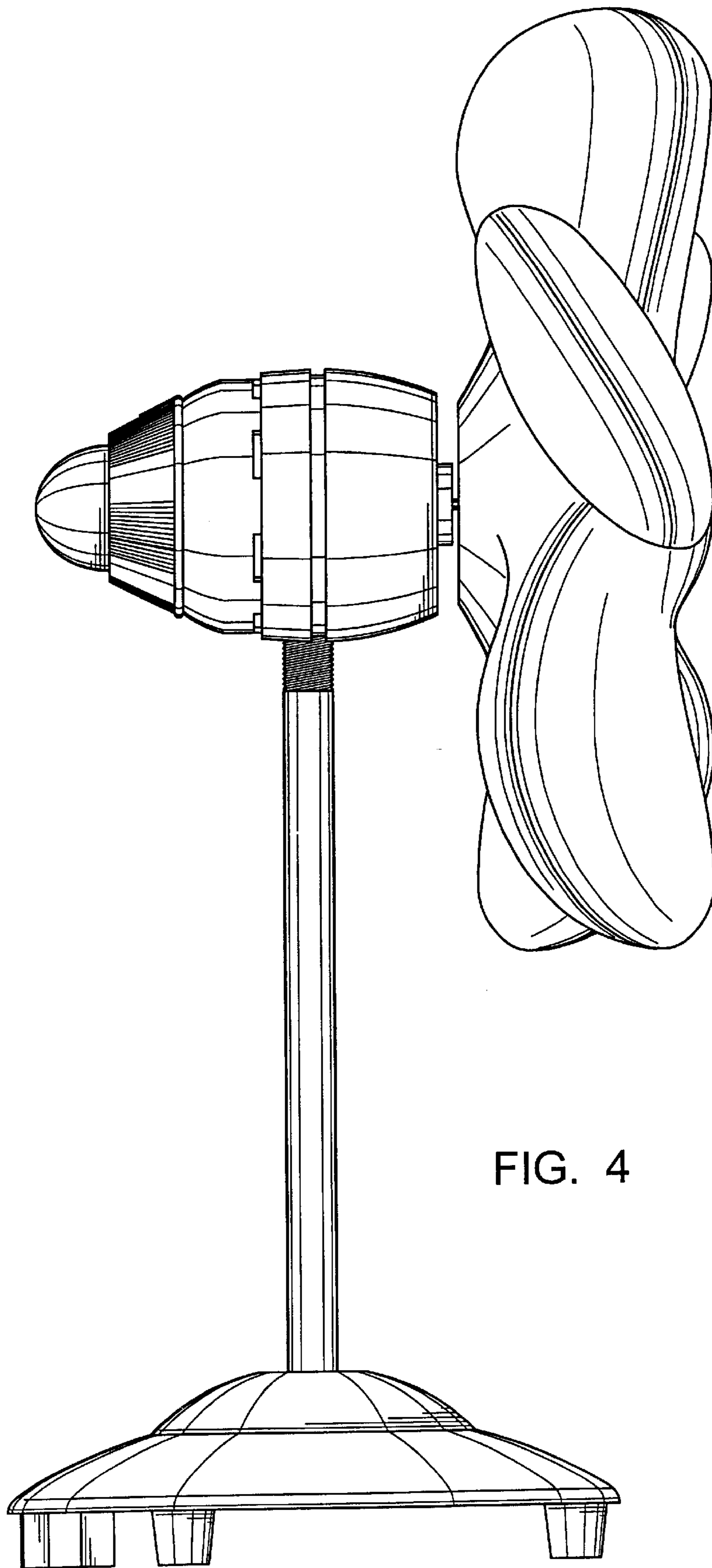


FIG. 4

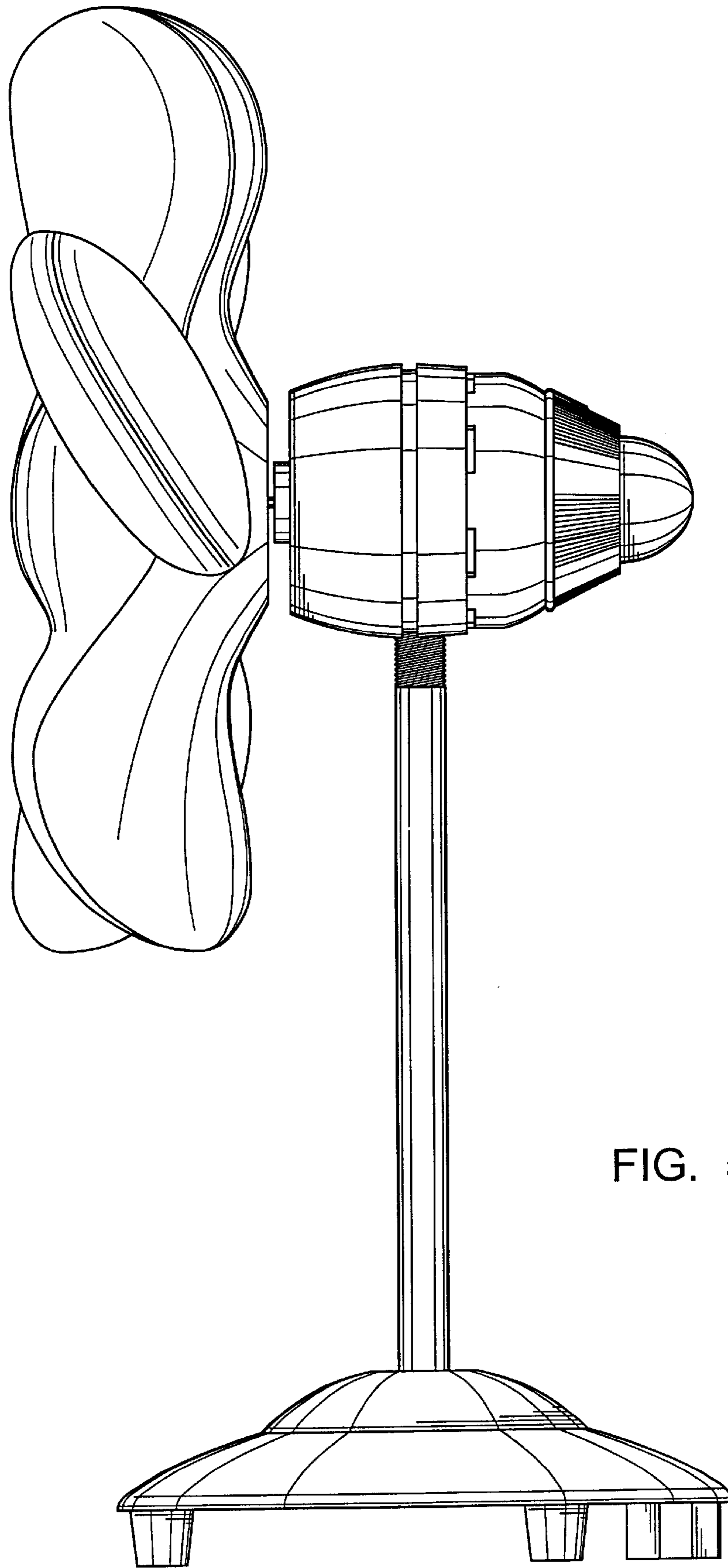


FIG. 5

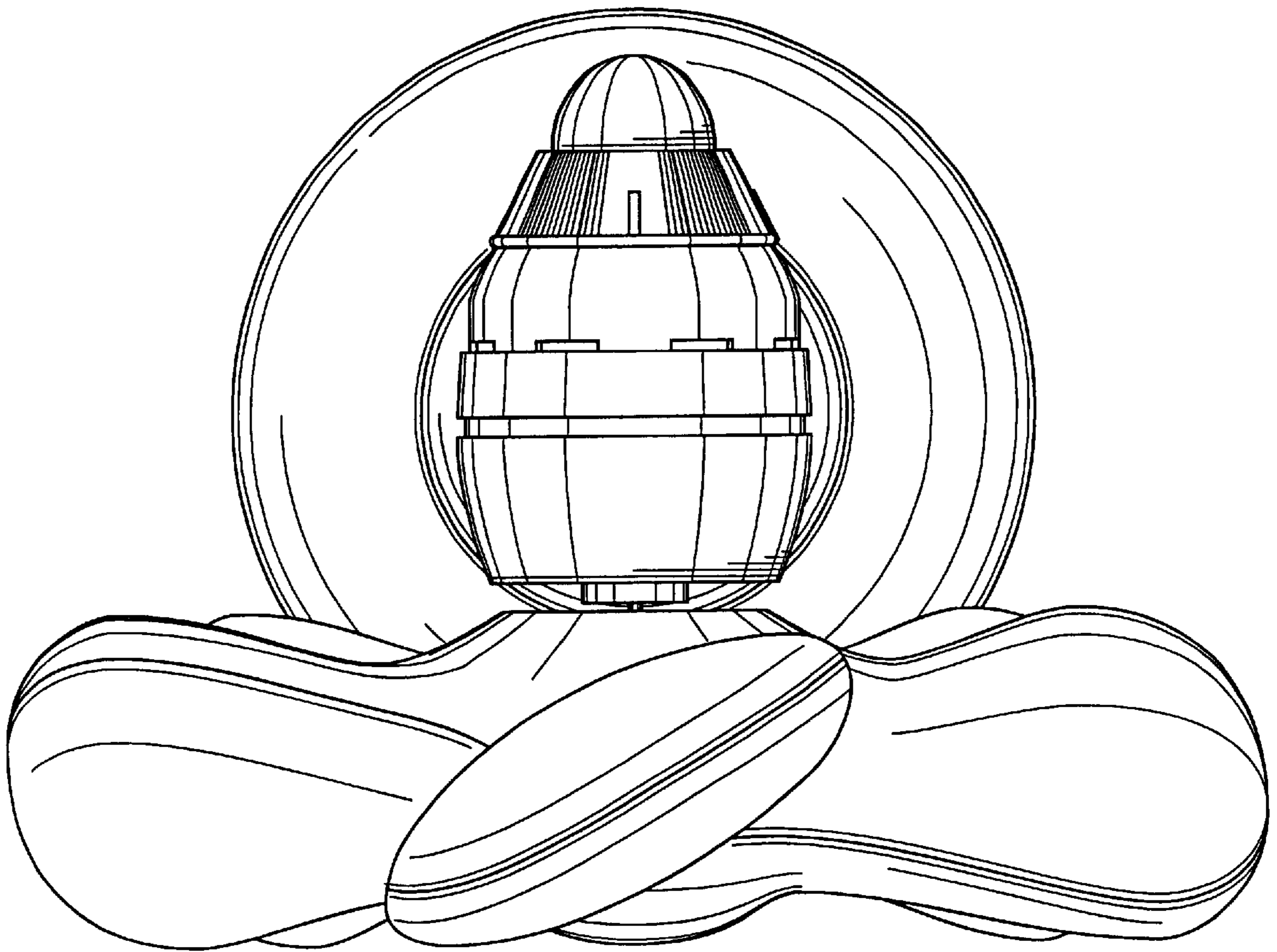


FIG. 6

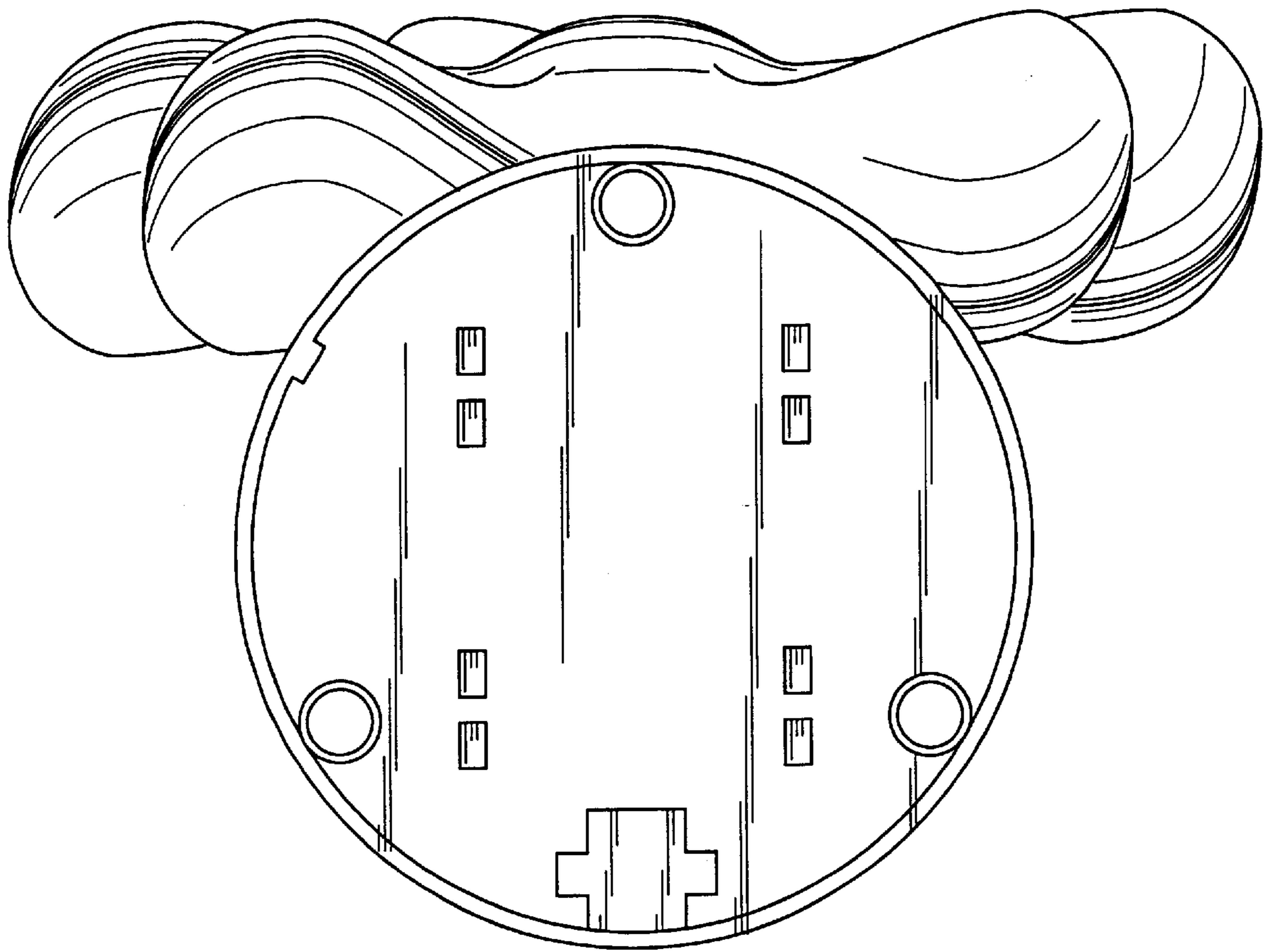


FIG. 7