



US00D458672S

(12) **United States Design Patent**  
**Marchiano et al.**

(10) **Patent No.:** **US D458,672 S**  
(45) **Date of Patent:** **\*\* Jun. 11, 2002**

(54) **OSCILLATING FAN WITH DECORATIVE GRILL**

*Primary Examiner*—Lisa Lichtenstein

(76) Inventors: **Robert J Marchiano; Louis J Calostipes**, both of 308 Brookside Ter., Tonawanda, NY (US) 14150

(57) **CLAIM**

The ornamental design for an oscillating fan with decorative grill, as shown and described.

(\*\*) Term: **14 Years**

**DESCRIPTION**

(21) Appl. No.: **29/147,894**

FIG. 1 is a front elevational view of the oscillating fan with decorative grill of the present invention;

(22) Filed: **Sep. 7, 2001**

FIG. 2 is a rear elevational view of the oscillating fan with decorative grill of FIG. 1;

(51) **LOC (7) Cl.** ..... **23-04**

(52) **U.S. Cl.** ..... **D23/378**

FIG. 3 is a right side elevational view of the oscillating fan with decorative grill of FIG. 1;

(58) **Field of Search** ..... D23/370, 381, D23/378, 382; 416/246, 247 R

FIG. 4 is a left side elevational view of the oscillating fan with decorative grill of FIG. 1;

(56) **References Cited**

**U.S. PATENT DOCUMENTS**

D218,429 S	*	8/1970	Yotsukura	.....	D23/381
3,787,142 A		1/1974	Dupke		
D298,648 S		11/1988	Gill		
D304,368 S		10/1989	Suzuki		
D306,203 S		2/1990	Wei		
D433,115 S	*	10/2000	Leslie	.....	D23/381

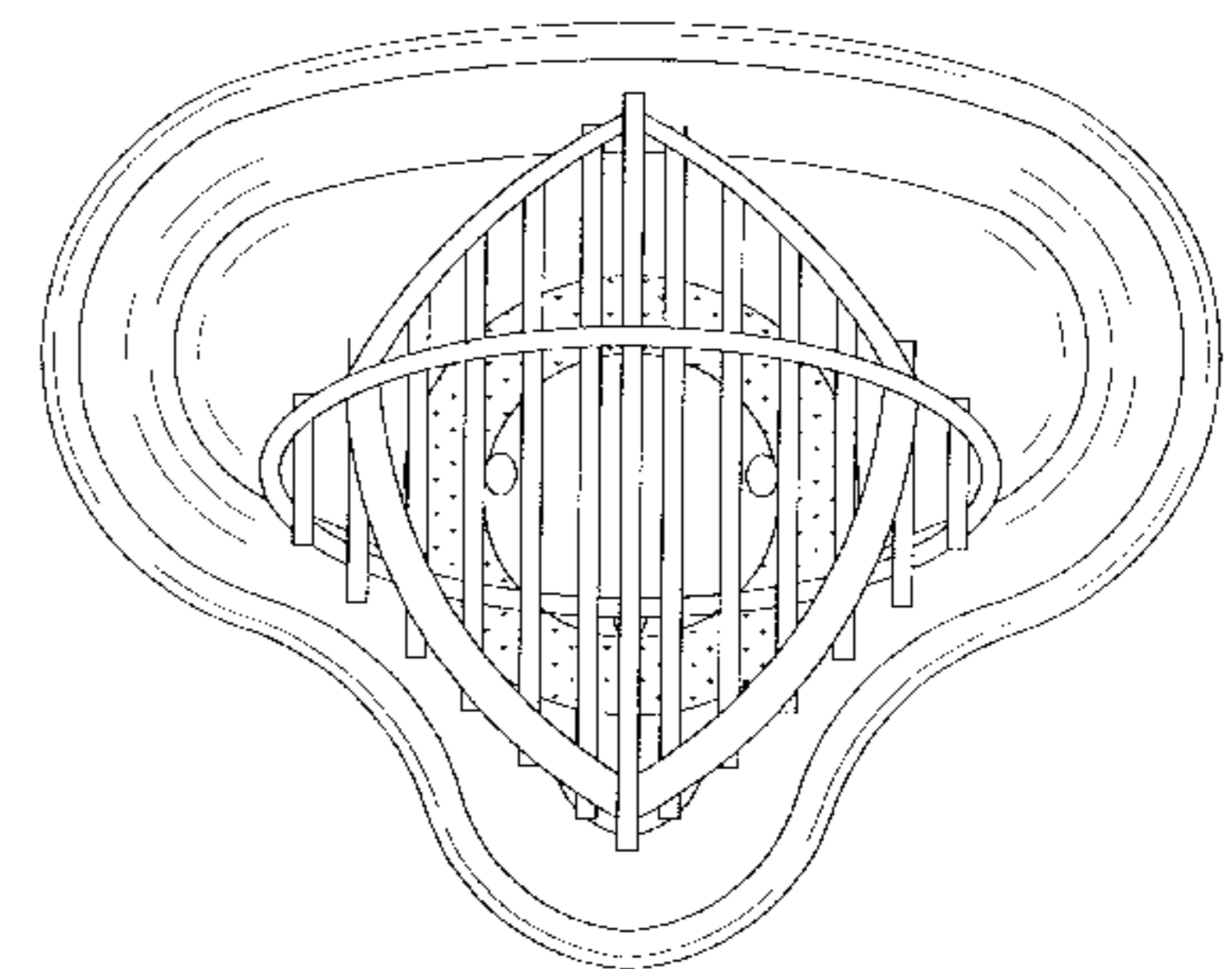
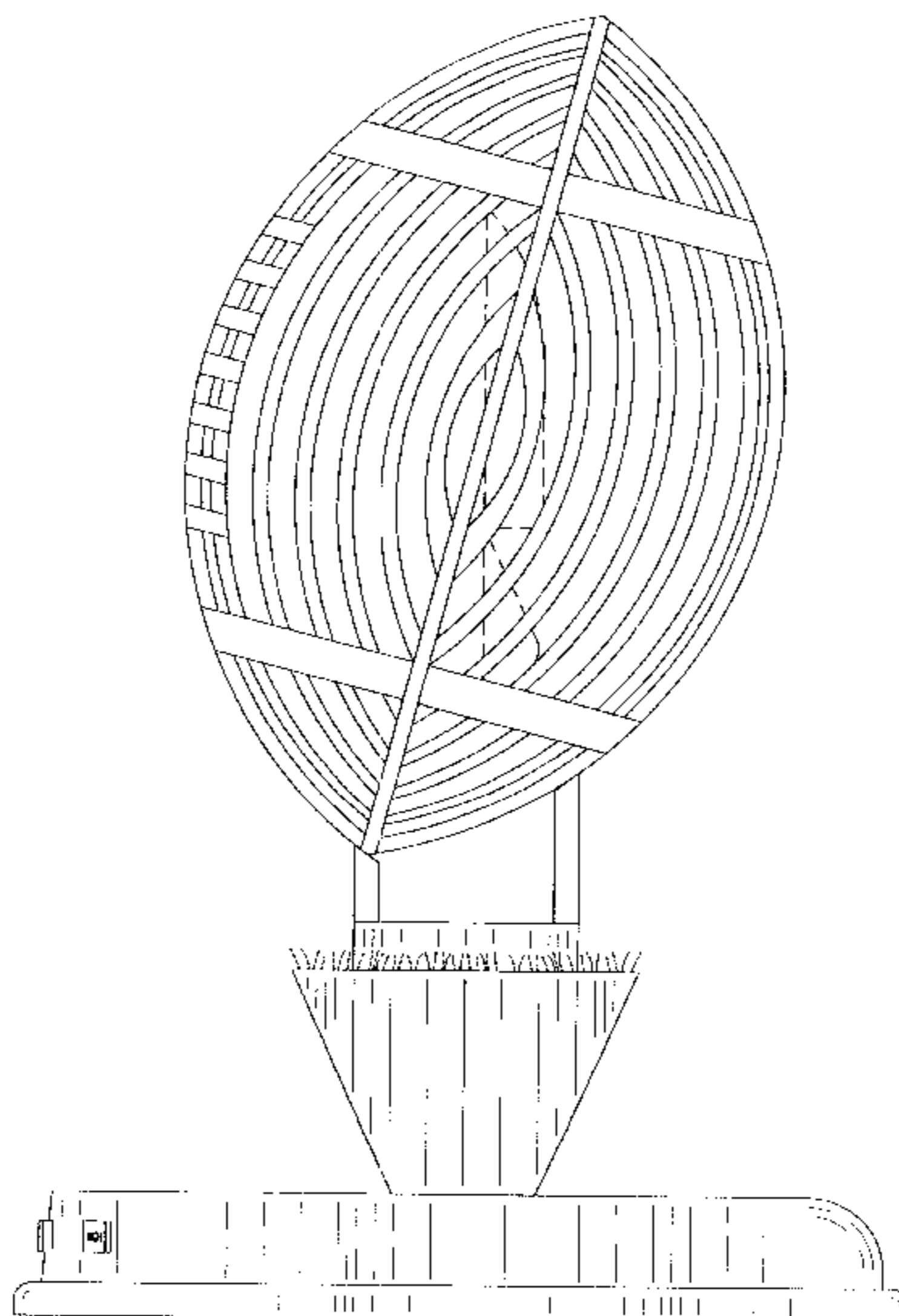
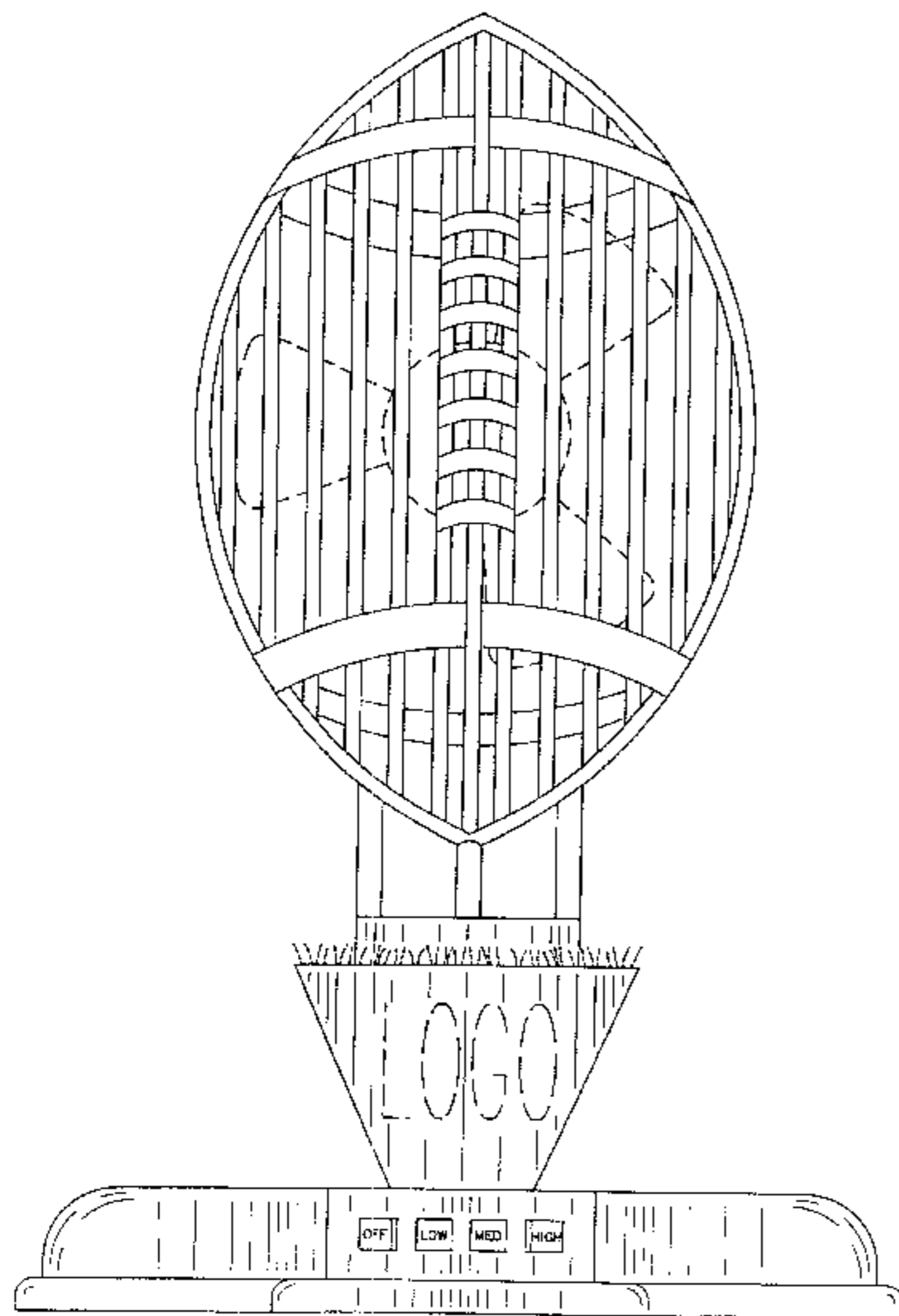
FIG. 5 is a top plan view of the oscillating fan with decorative grill of FIG. 1; and,

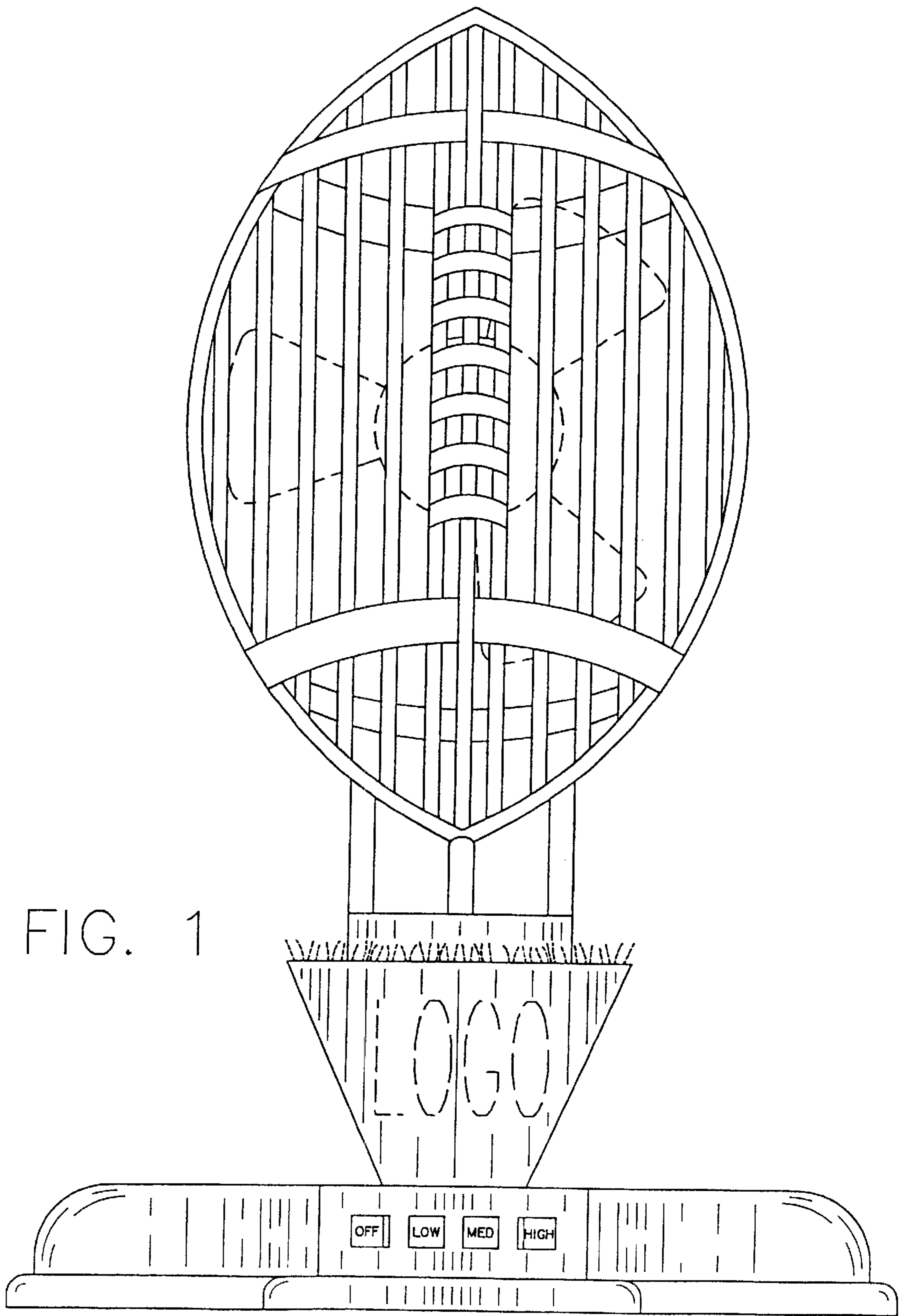
FIG. 6 is a bottom plan view of the oscillating fan with decorative grill of FIG. 1.

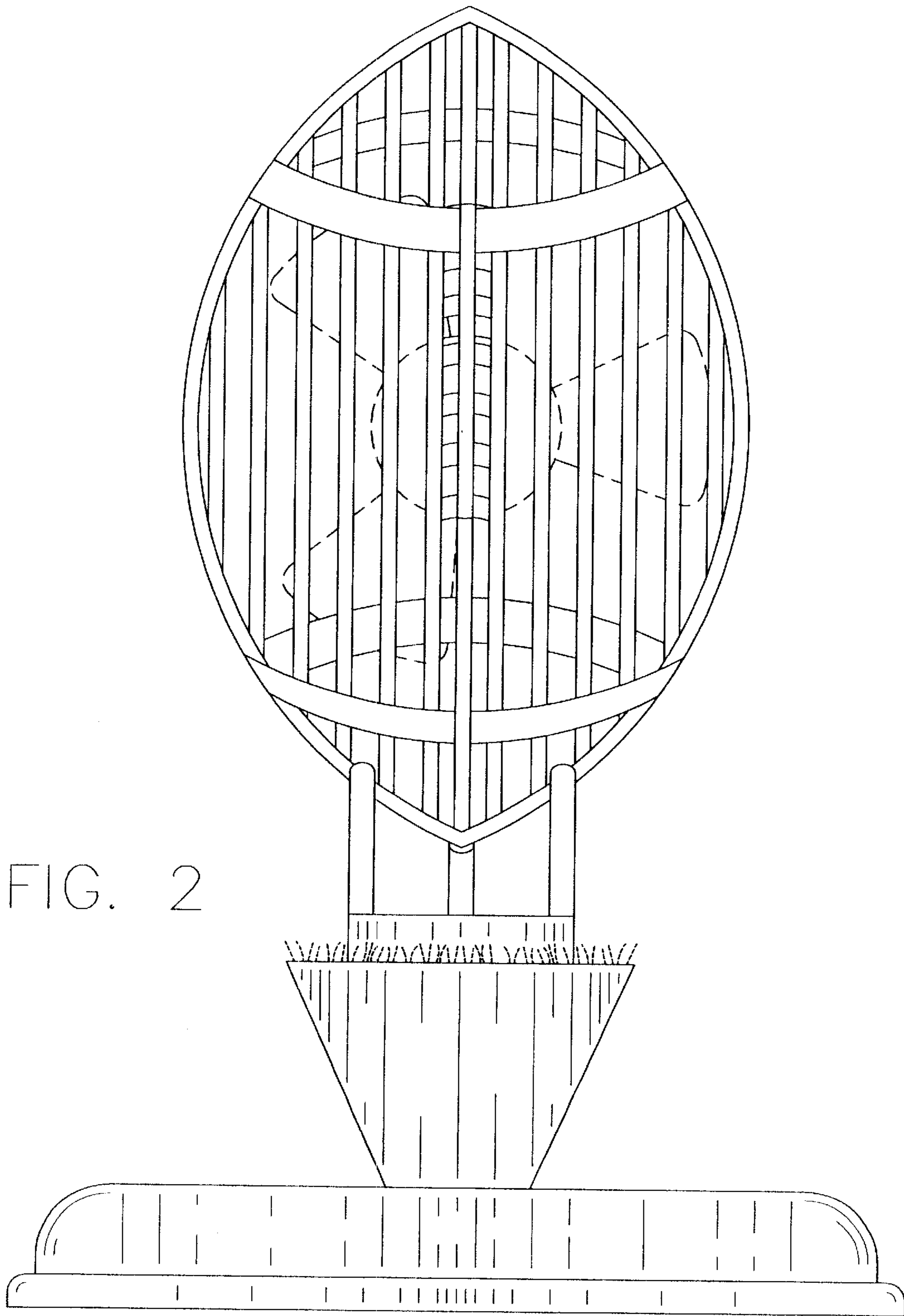
The broken line showing of environmental structure in FIGS. 1–5 is for illustrative purposes only and forms no part of the claimed design.

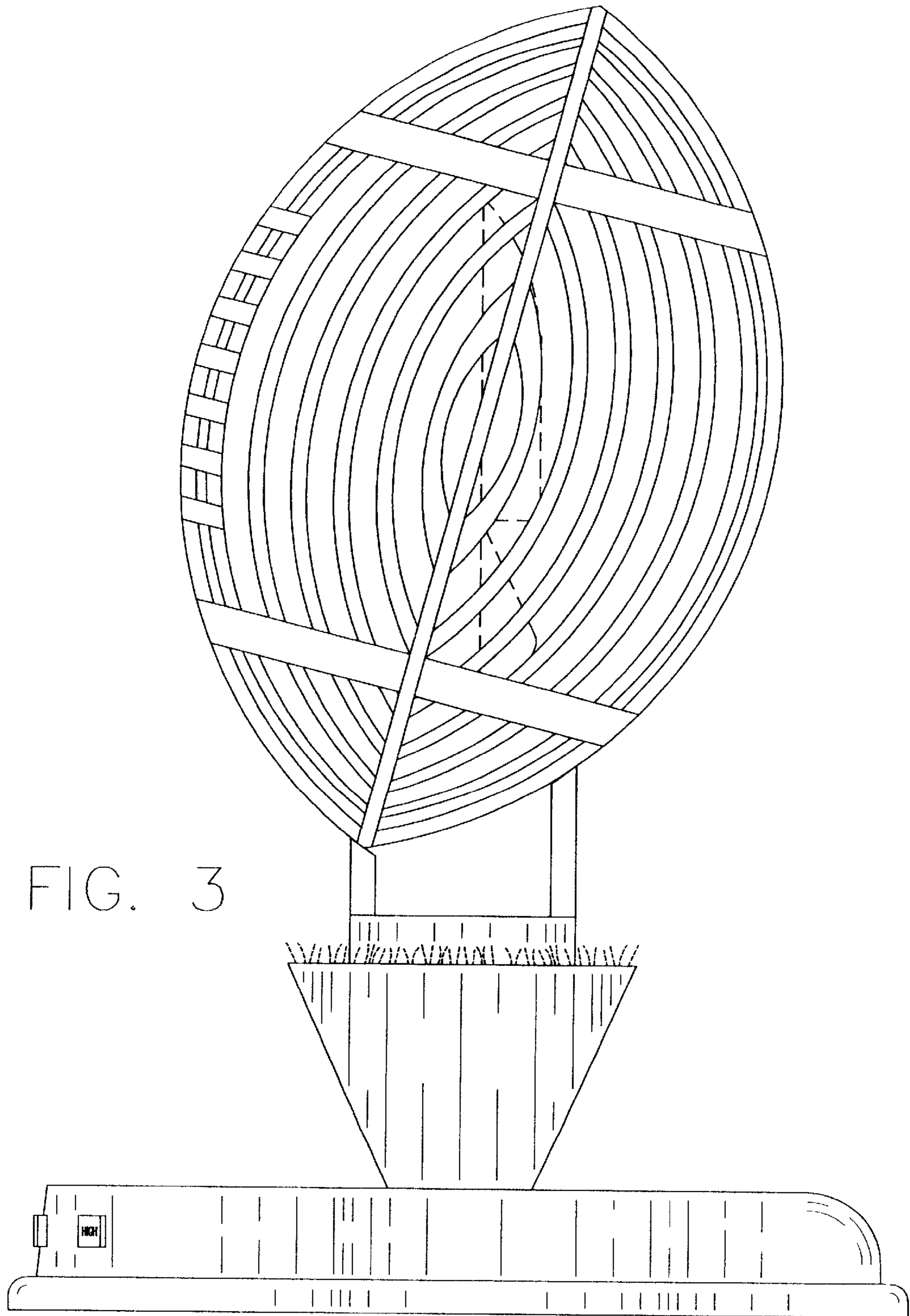
\* cited by examiner

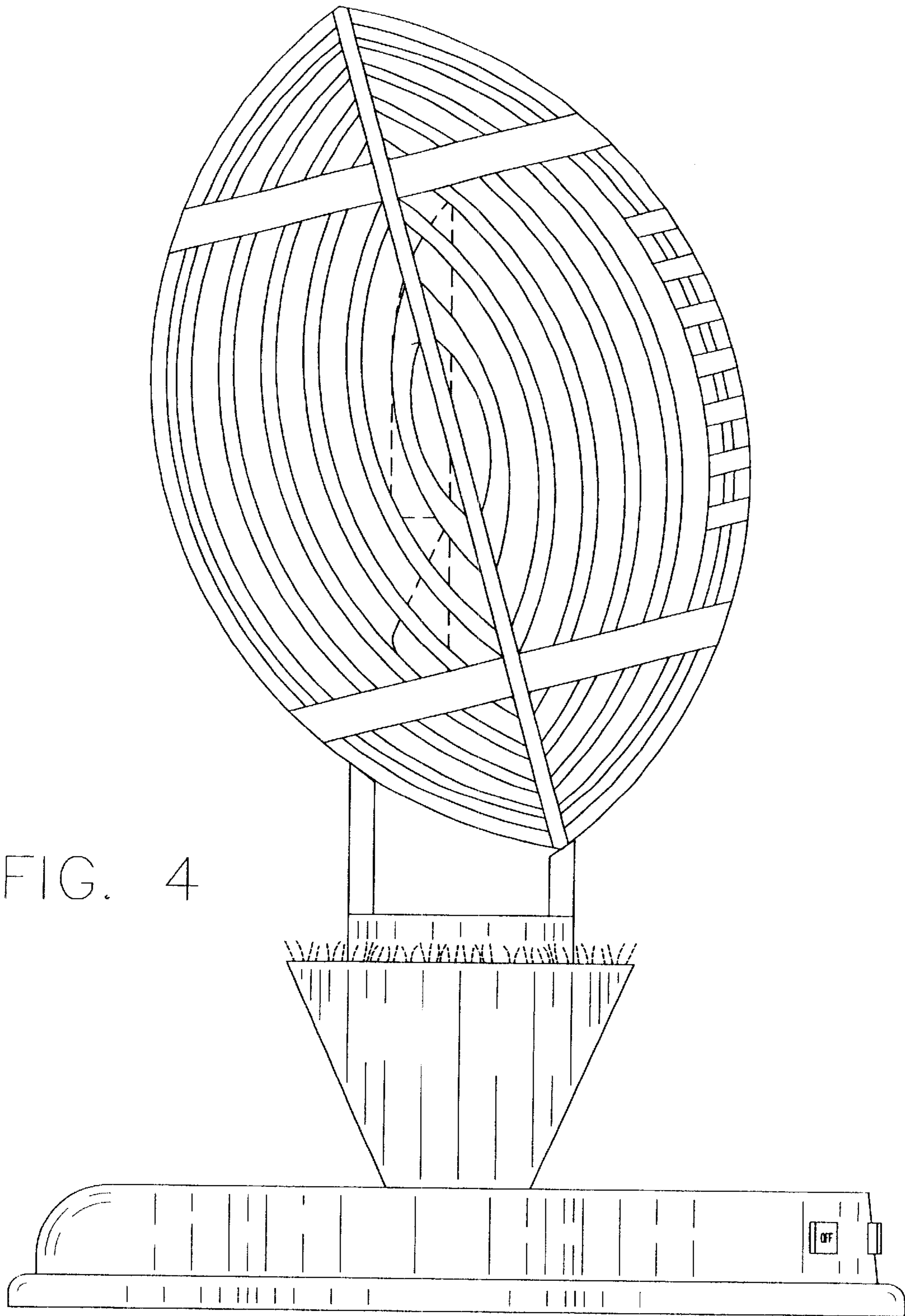
**1 Claim, 6 Drawing Sheets**











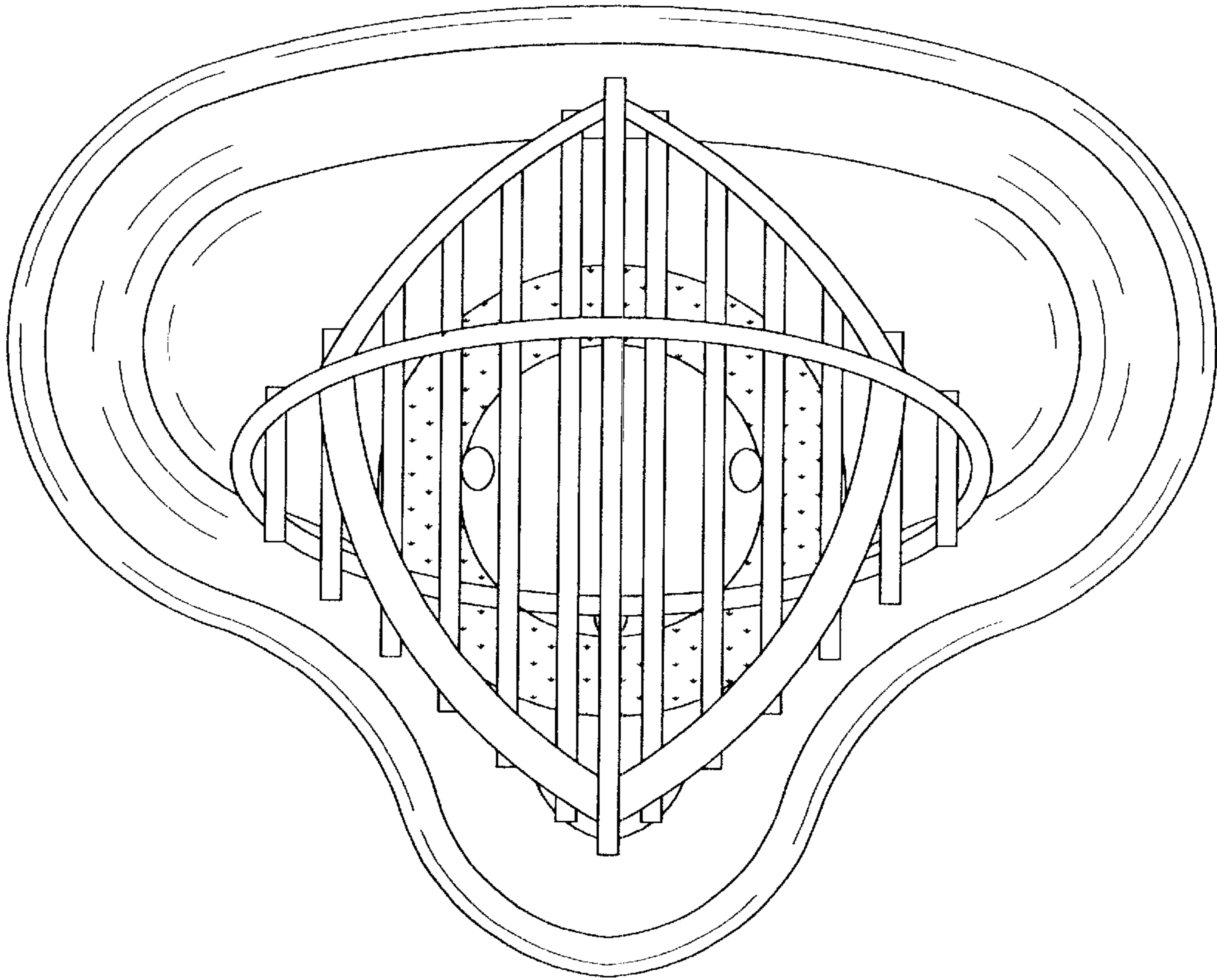


FIG. 5

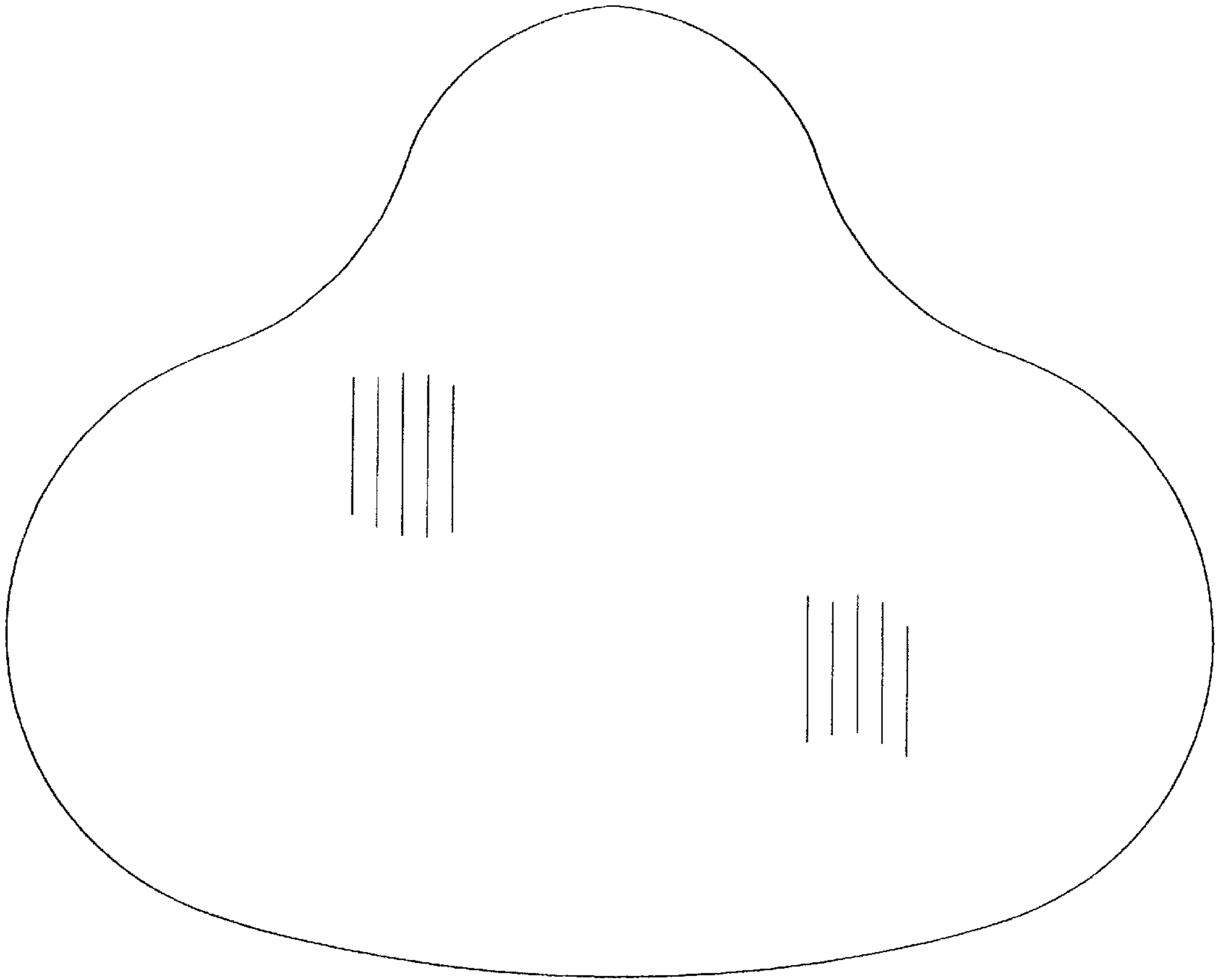


FIG. 6