



US00D458667S

(12) **United States Design Patent**
Gottwald

(10) **Patent No.:** **US D458,667 S**

(45) **Date of Patent:** **** Jun. 11, 2002**

(54) **FAUCET HANDLE**

D416,609 S * 11/1999 Mullenmeister D23/252
D425,968 S * 5/2000 Lobermeier D23/252

(75) Inventor: **Adolf Gottwald**, Iserlohn (DE)

* cited by examiner

(73) Assignee: **Friedrich Grohe AG & Co. KG**,
Hemer (DE)

Primary Examiner—Louis S. Zarfaz
Assistant Examiner—Gregory Andoll
(74) *Attorney, Agent, or Firm*—Herbert Dubno

(**) Term: **14 Years**

(21) Appl. No.: **29/141,948**

(57) **CLAIM**

(22) Filed: **May 16, 2001**

The ornamental design for a faucet handle, as shown and described.

(30) **Foreign Application Priority Data**

DESCRIPTION

Dec. 6, 2000 (DE) 400 11 368

(51) **LOC (7) Cl.** **23-01**

(52) **U.S. Cl.** **D23/252**

(58) **Field of Search** D23/238-245,
D23/249-257; D8/300-310, 350-354; 4/675-678;
16/110 R-121; 137/801

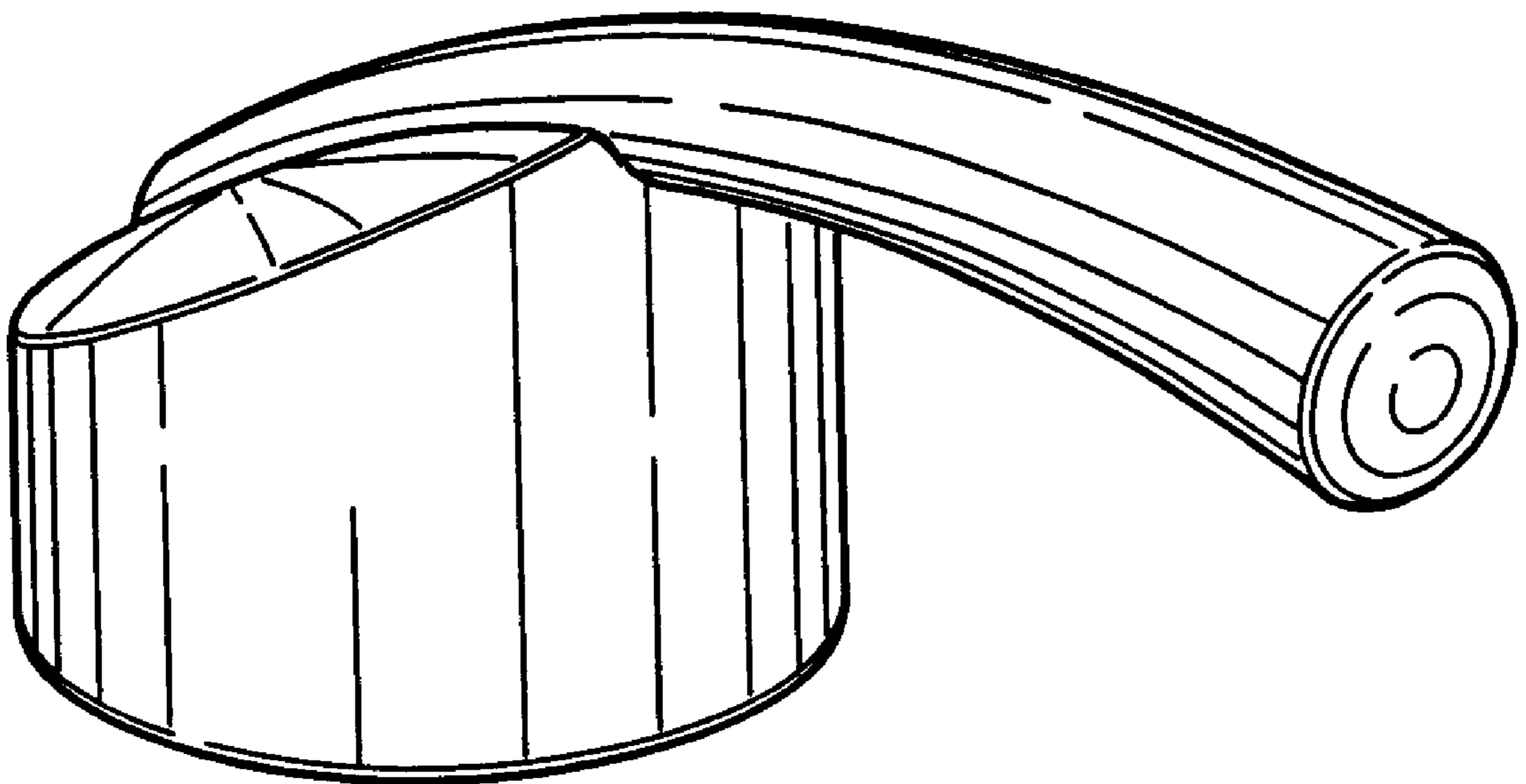
FIG. 1 is a top, front, left-side perspective view of a faucet handle showing my new design;
FIG. 2 is a front elevational view thereof;
FIG. 3 is a rear elevational view thereof;
FIG. 4 is a left side elevational view thereof, the right side elevational view being mirror symmetrical thereto;
FIG. 5 is a bottom plan view thereof; and,
FIG. 6 is a top plan view thereof.

(56) **References Cited**

U.S. PATENT DOCUMENTS

D392,721 S * 3/1998 Doughty et al. D23/252

1 Claim, 2 Drawing Sheets



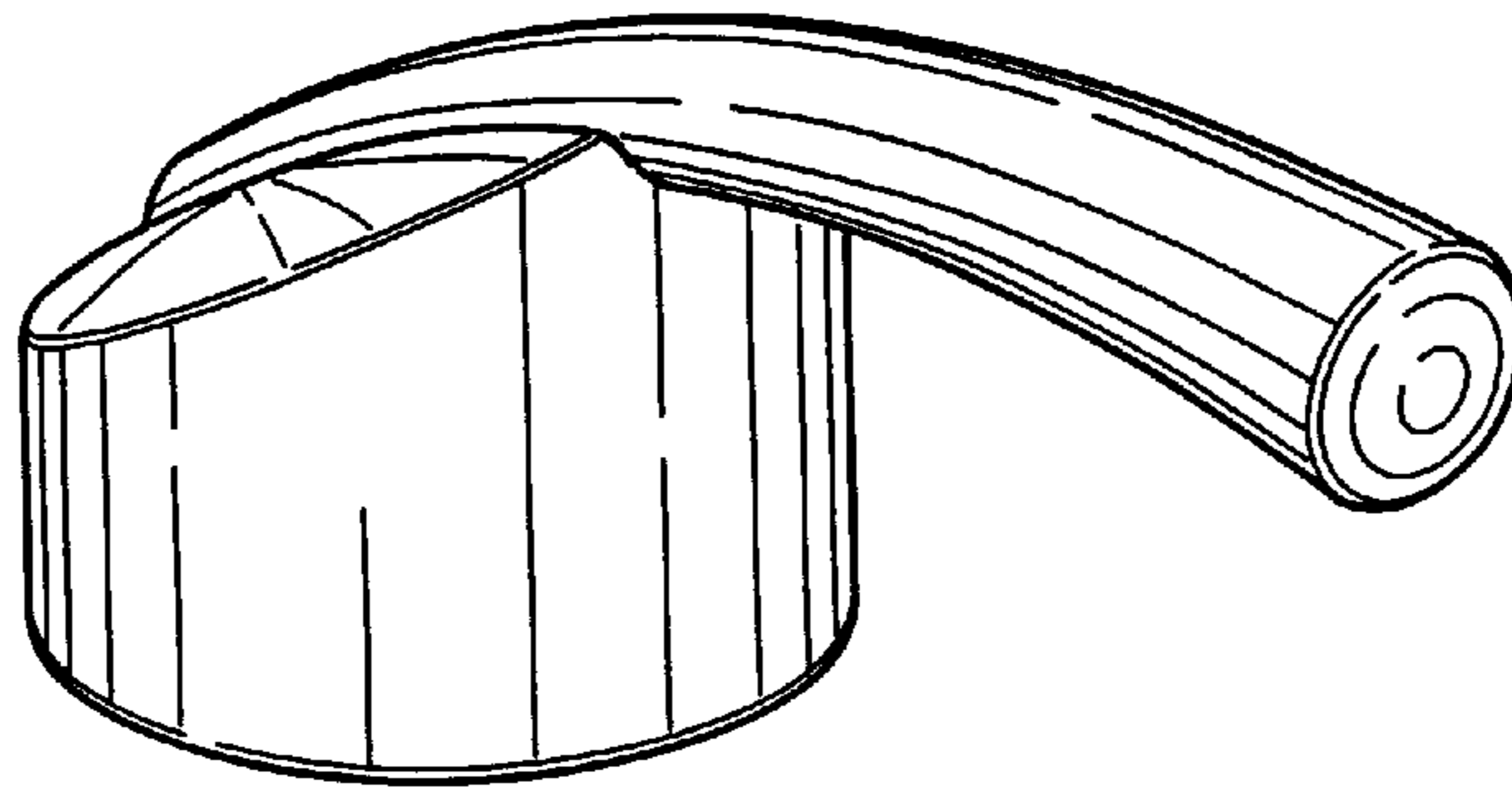


FIG. 1

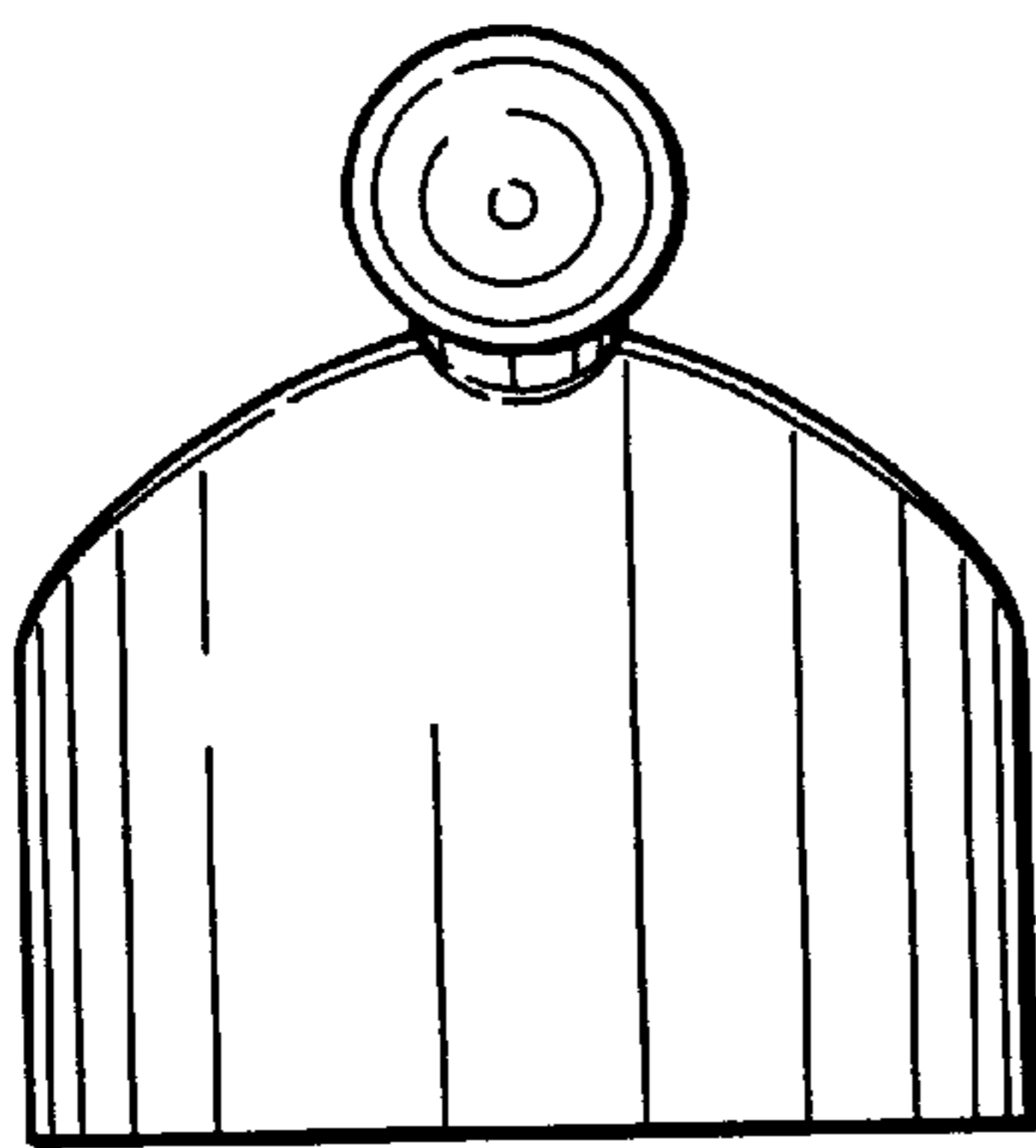


FIG. 2

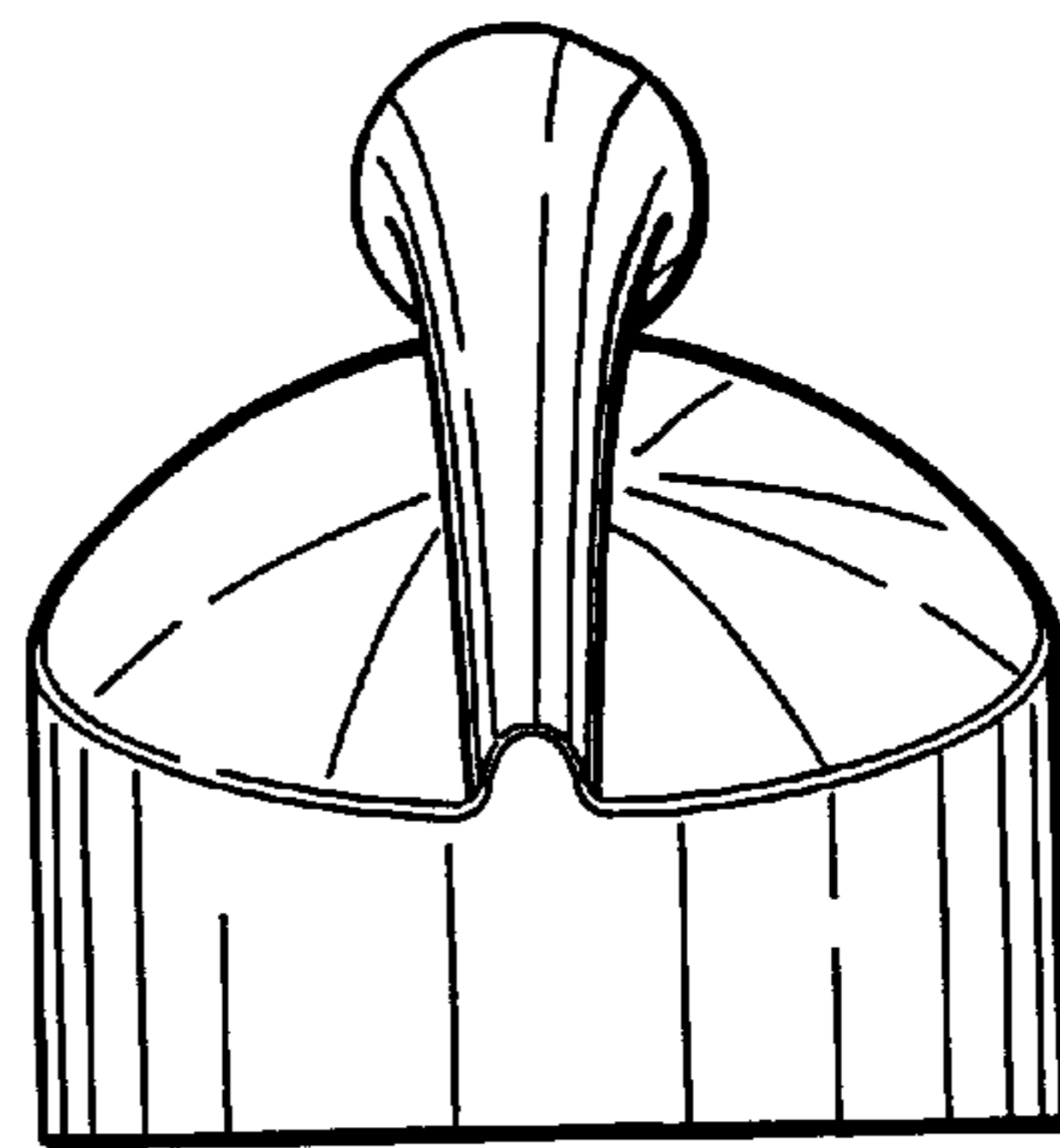


FIG. 3

FIG. 6

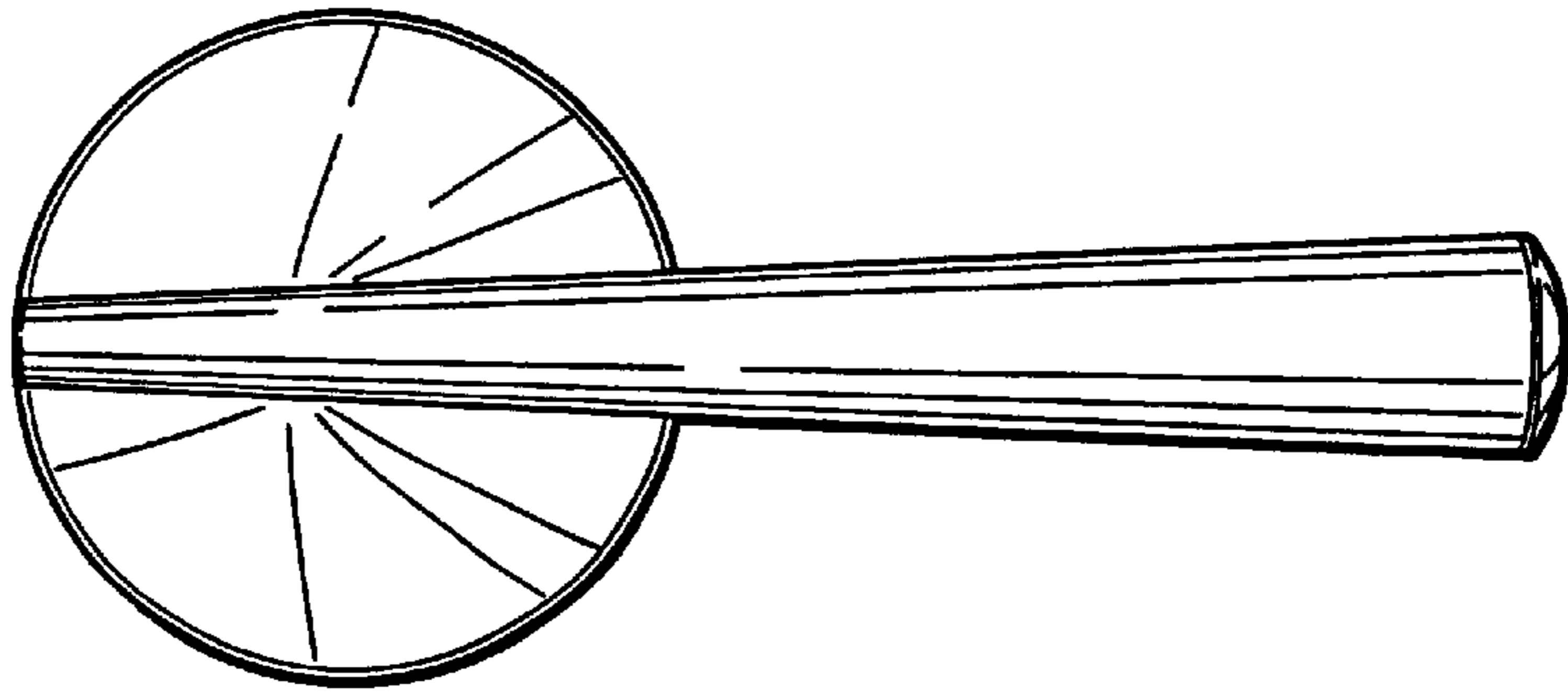


FIG. 4

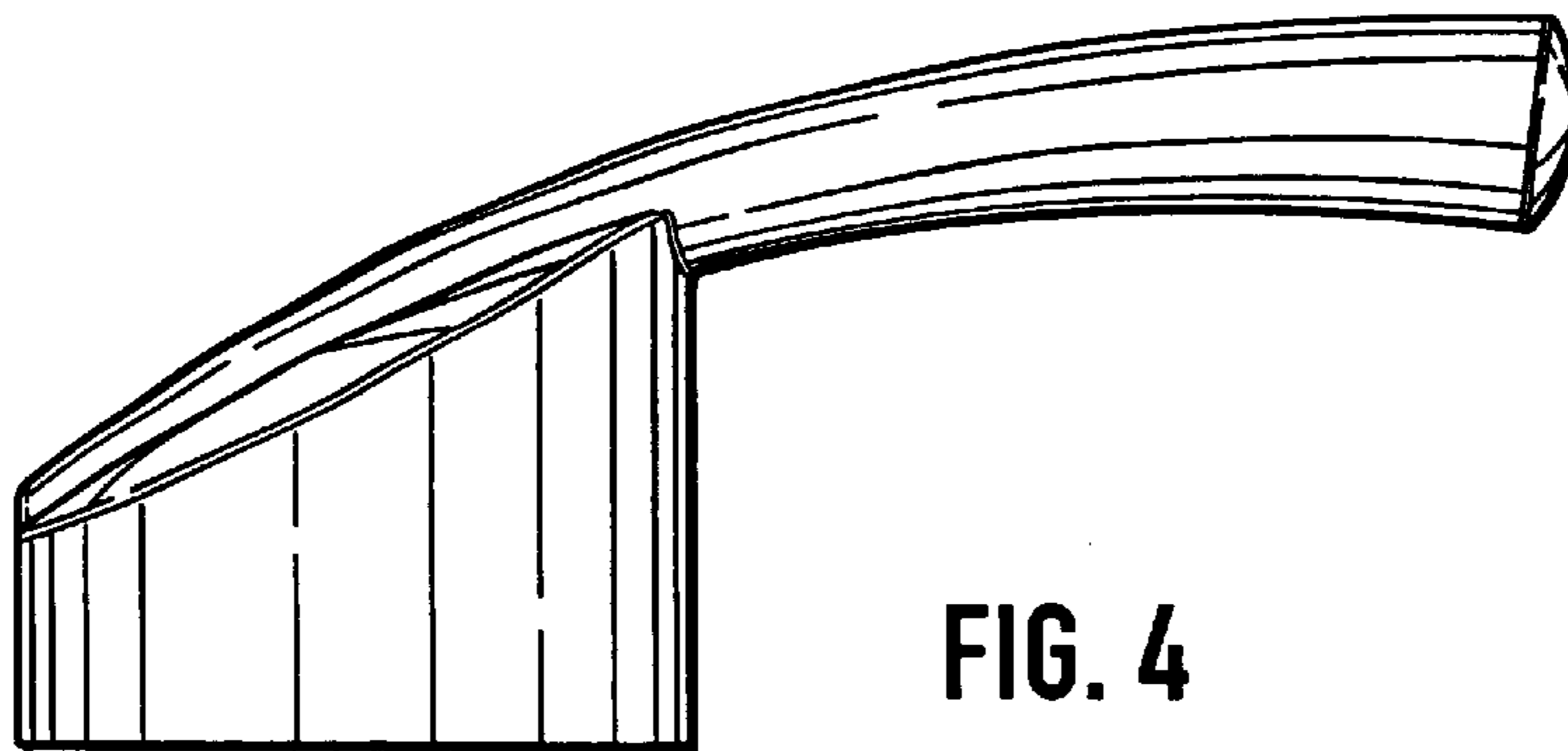


FIG. 5

