



US00D458665S

(12) **United States Design Patent**  
**Lai**

(10) **Patent No.:**

**US D458,665 S**

(45) **Date of Patent:**

**\*\* Jun. 11, 2002**

(54) **SWITCH VALVE**

D448,454 S \* 9/2001 Lai ..... D23/245  
D450,808 S \* 11/2001 Gottwald ..... D23/250

(76) Inventor: **Hung-Lin Lai**, No.5-3, Chi Pan Lane,  
Kou Chien Li, Lu Kang Township,  
Chang Hua Hsien (TW)

\* cited by examiner

(\*\*) Term: **14 Years**

*Primary Examiner*—Nelson C Holtje  
(74) *Attorney, Agent, or Firm*—Harrison & Egbert

(21) Appl. No.: **29/144,869**

(57) **CLAIM**

(22) Filed: **Jul. 13, 2001**

I claim the ornamental design for a switch valve, as shown and described.

(51) **LOC (7) Cl.** ..... **23-01**

**DESCRIPTION**

(52) **U.S. Cl.** ..... **D23/233**

(58) **Field of Search** ..... D23/233–239,  
D23/244–249; 251/309–310, 314, 315,  
315.1, 315.01

FIG. 1 is an upper perspective view of the switch valve showing my design.

FIG. 2 is a side view thereof;

FIG. 3 is an opposite side view thereof;

FIG. 4 is a front view thereof;

FIG. 5 is a back view thereof;

FIG. 6 is a top view thereof;

FIG. 7 is a bottom view thereof;

FIG. 8 is an upper perspective view thereof, the broken line showings being environmental only and forming no part of the claimed design; and,

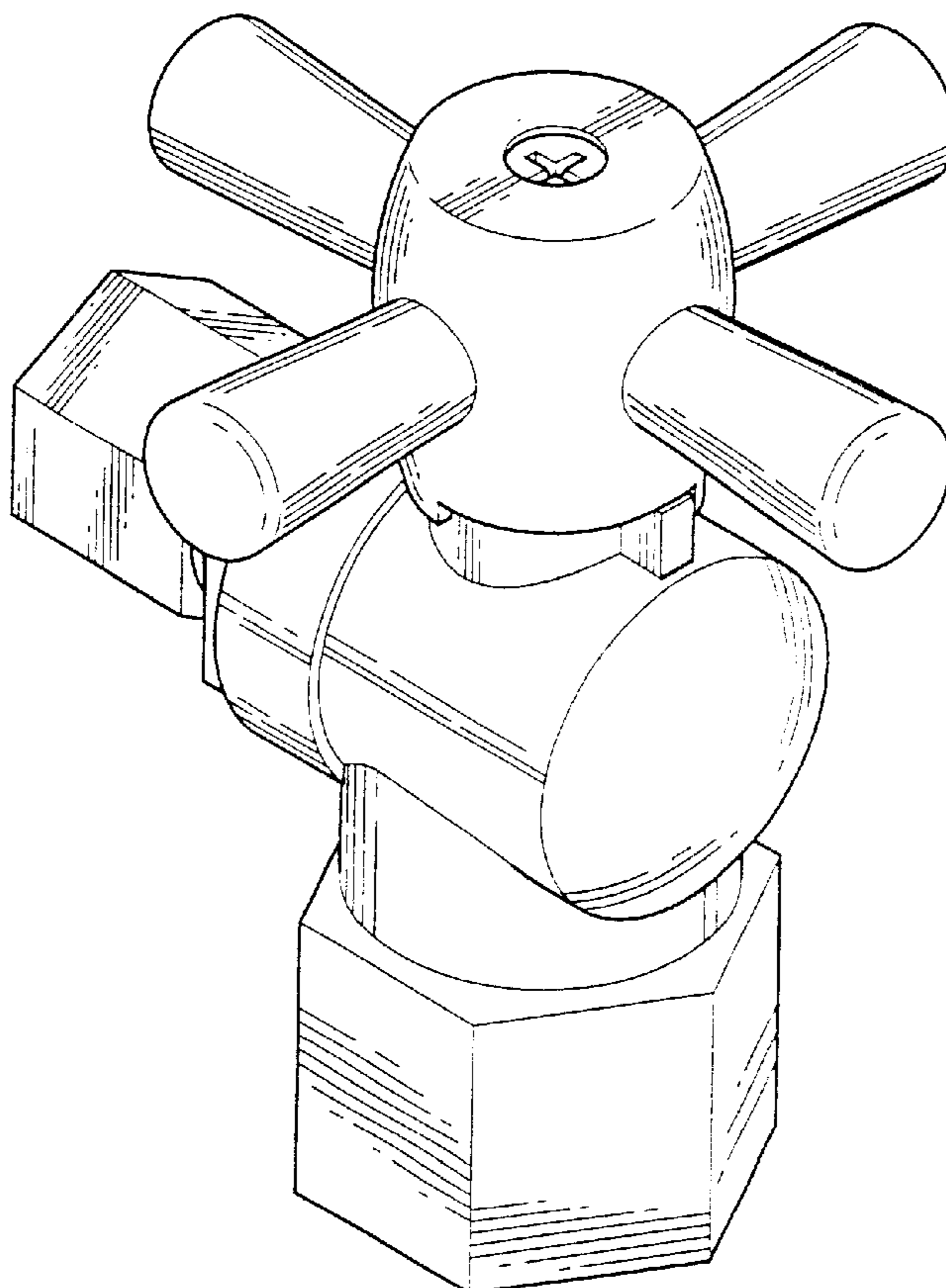
FIG. 9 is an another upper perspective view thereof, the broken lines showings being environmental only and forming no part of the claimed design.

(56) **References Cited**

**U.S. PATENT DOCUMENTS**

D53,329 S	*	5/1919	Brightman	.....	D23/245
D215,213 S	*	9/1969	Beaver	.....	D23/245
D234,200 S	*	1/1975	Buechler	.....	D23/245
D242,350 S	*	11/1976	Kann	.....	D23/245
D318,714 S	*	7/1991	Spangler	.....	D23/250
D318,903 S	*	8/1991	Lenberg	.....	D23/245
D400,970 S	*	11/1998	Voo	.....	D23/245
D411,870 S	*	7/1999	Humber	.....	D23/233
D412,561 S	*	8/1999	Voo	.....	D23/245
D430,272 S	*	8/2000	Hung-Lin	.....	D23/245

**1 Claim, 6 Drawing Sheets**



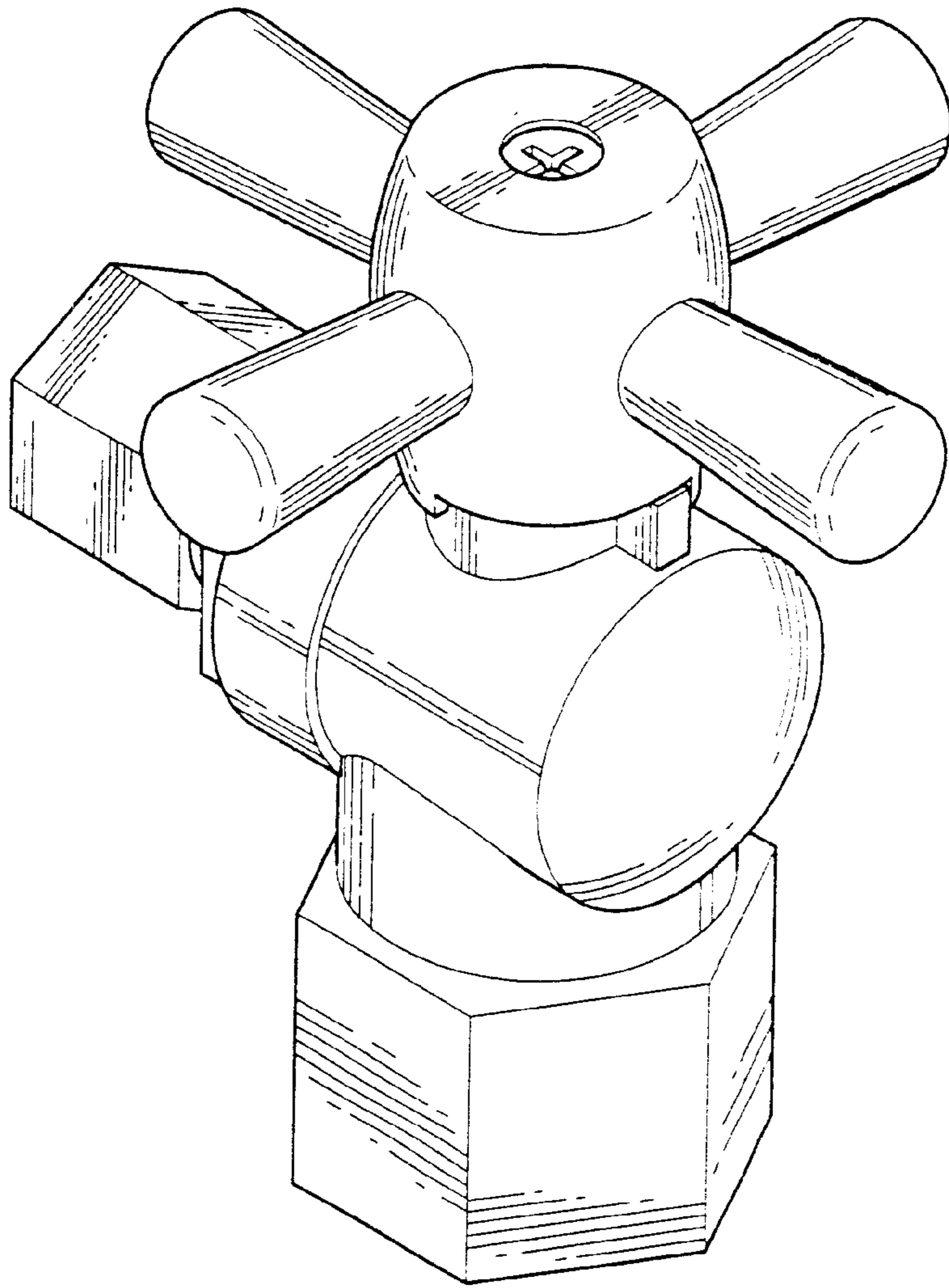


FIG. 1

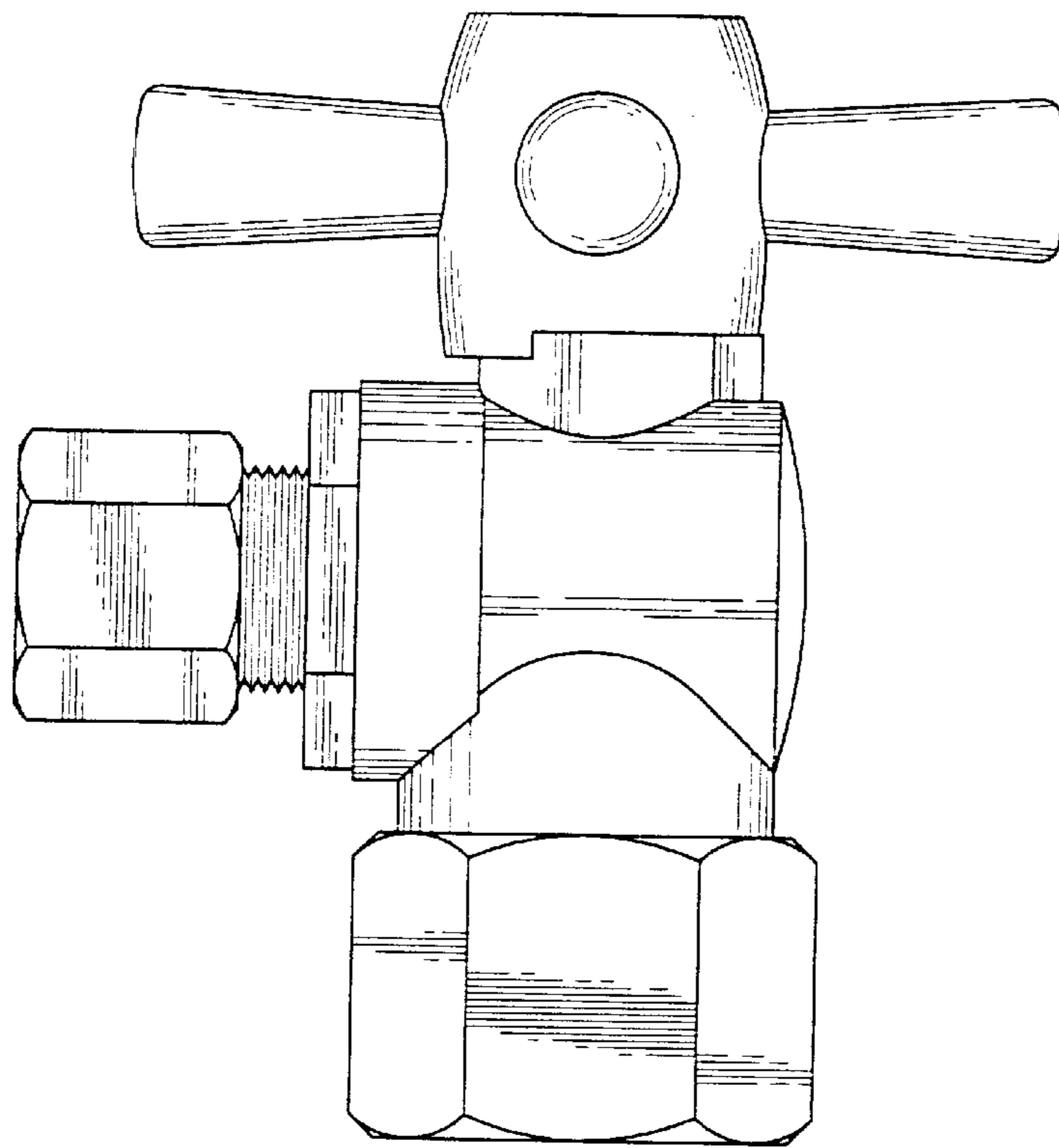


FIG. 2

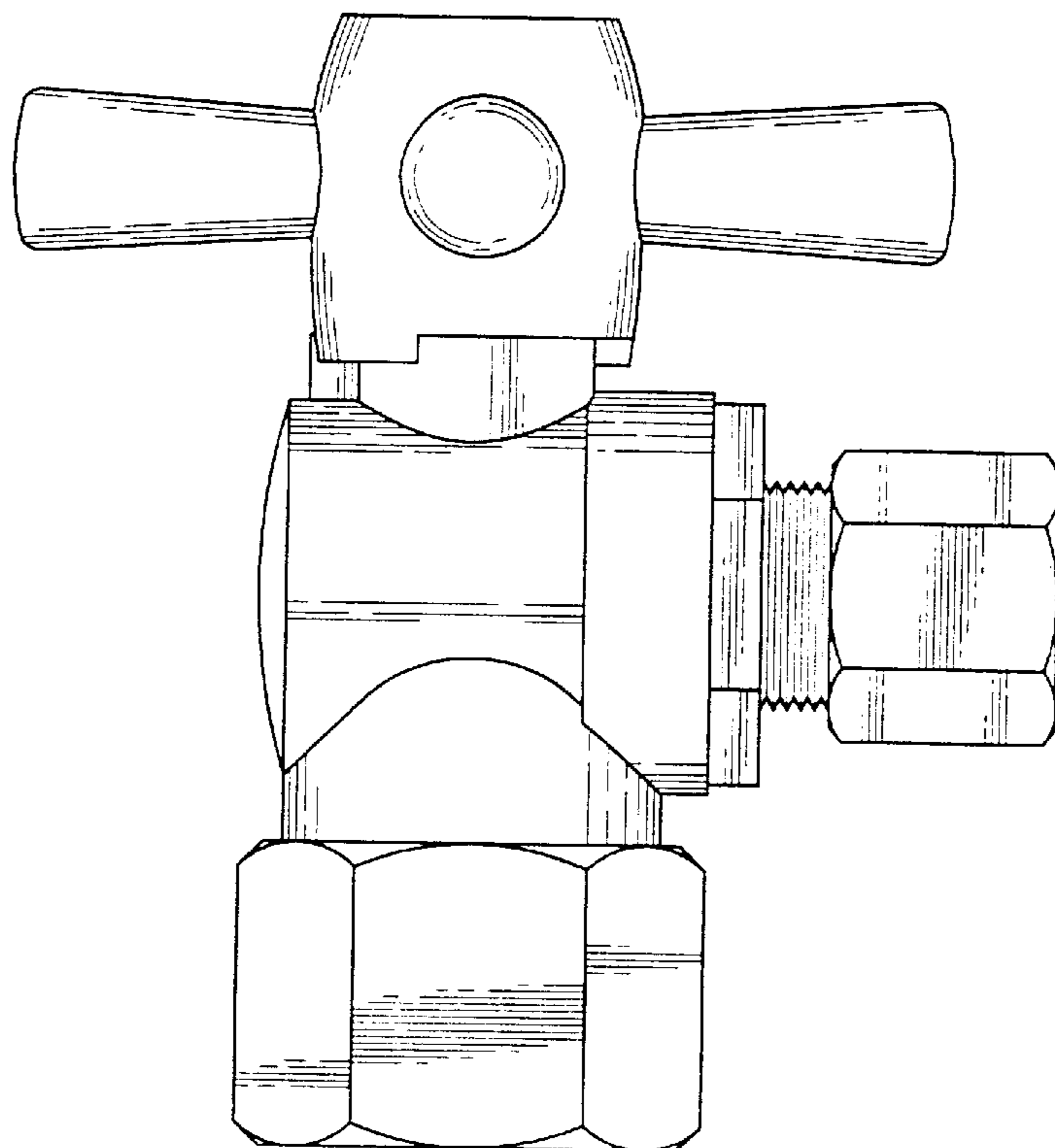


FIG. 3

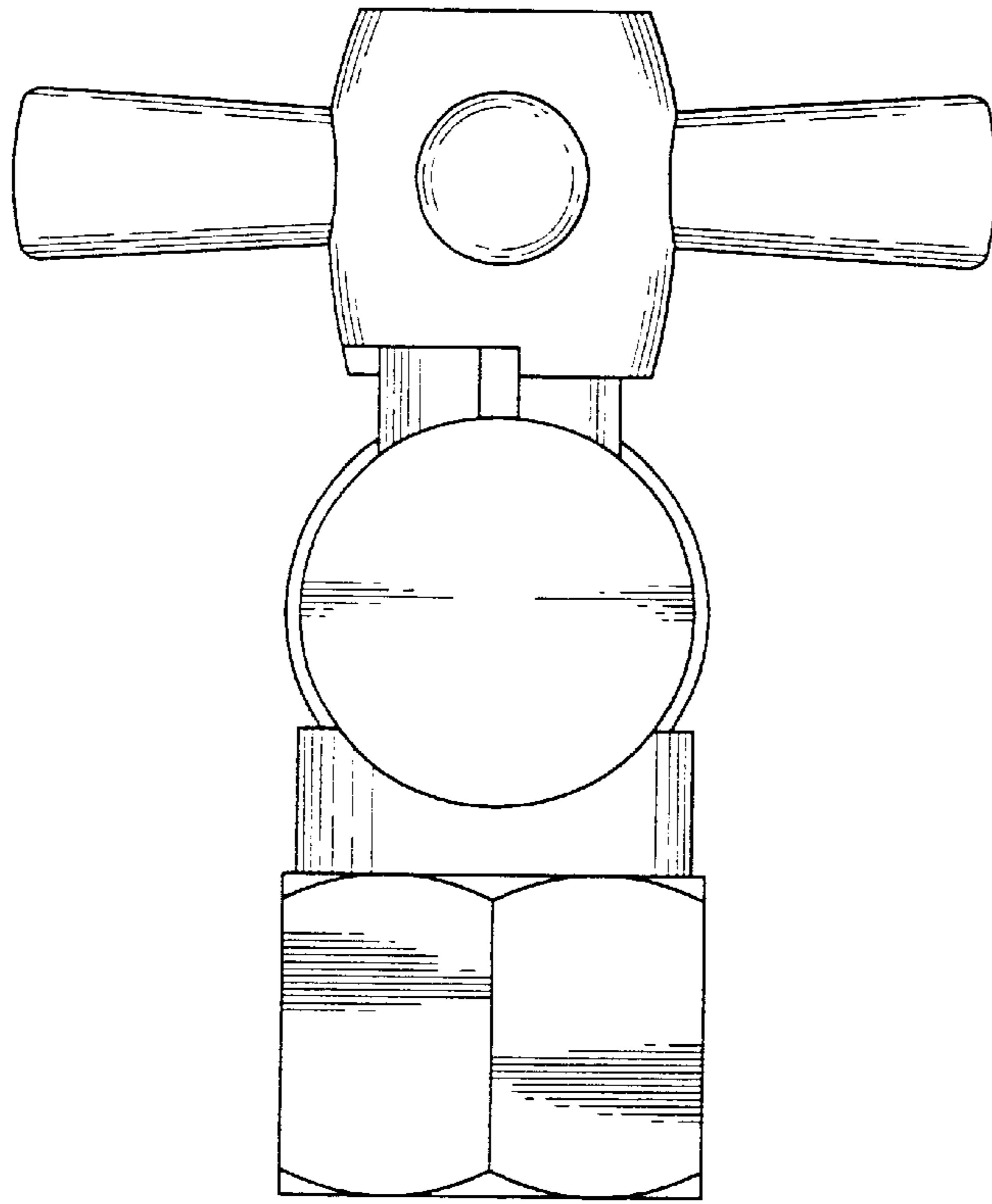


FIG. 4

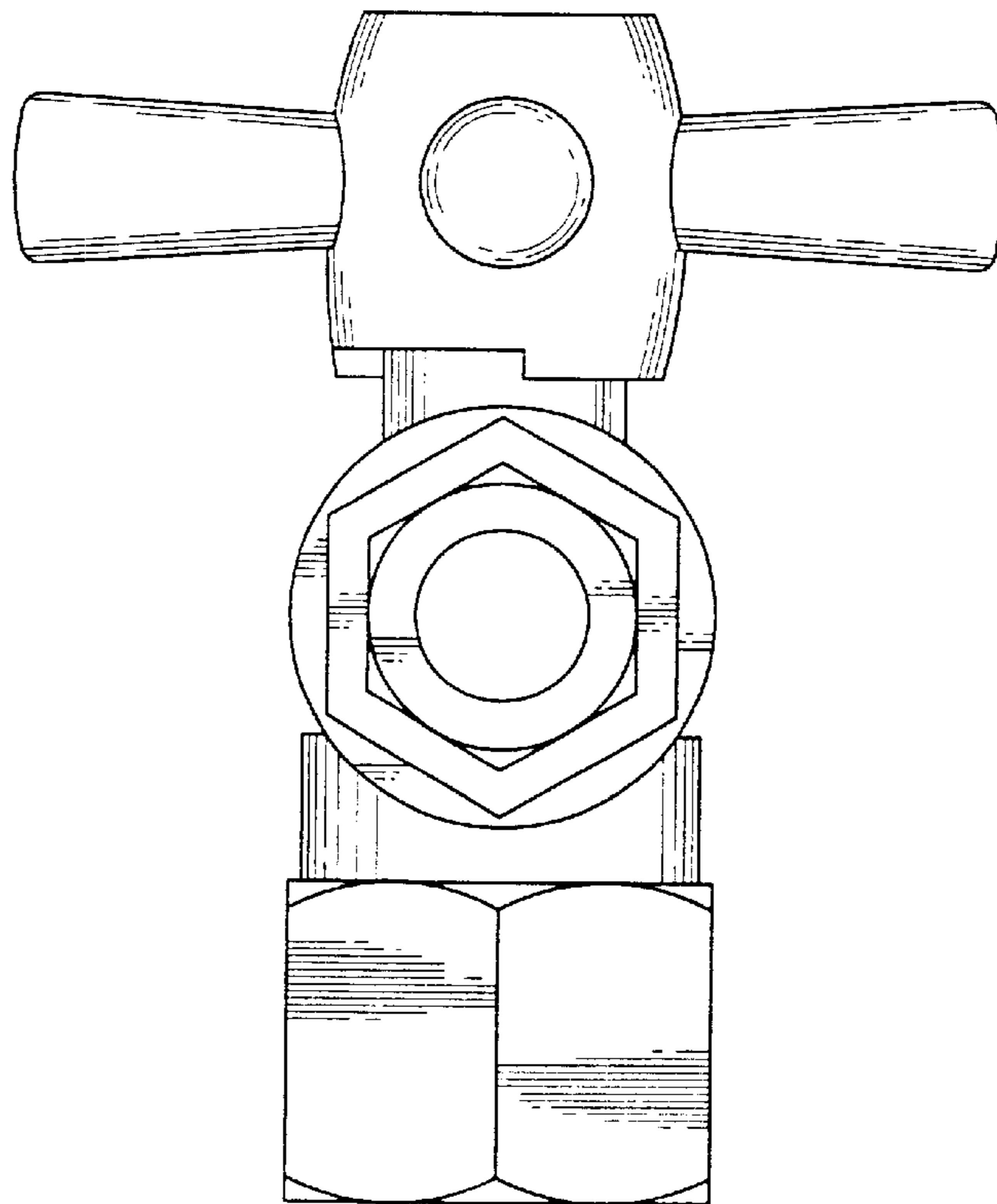


FIG. 5

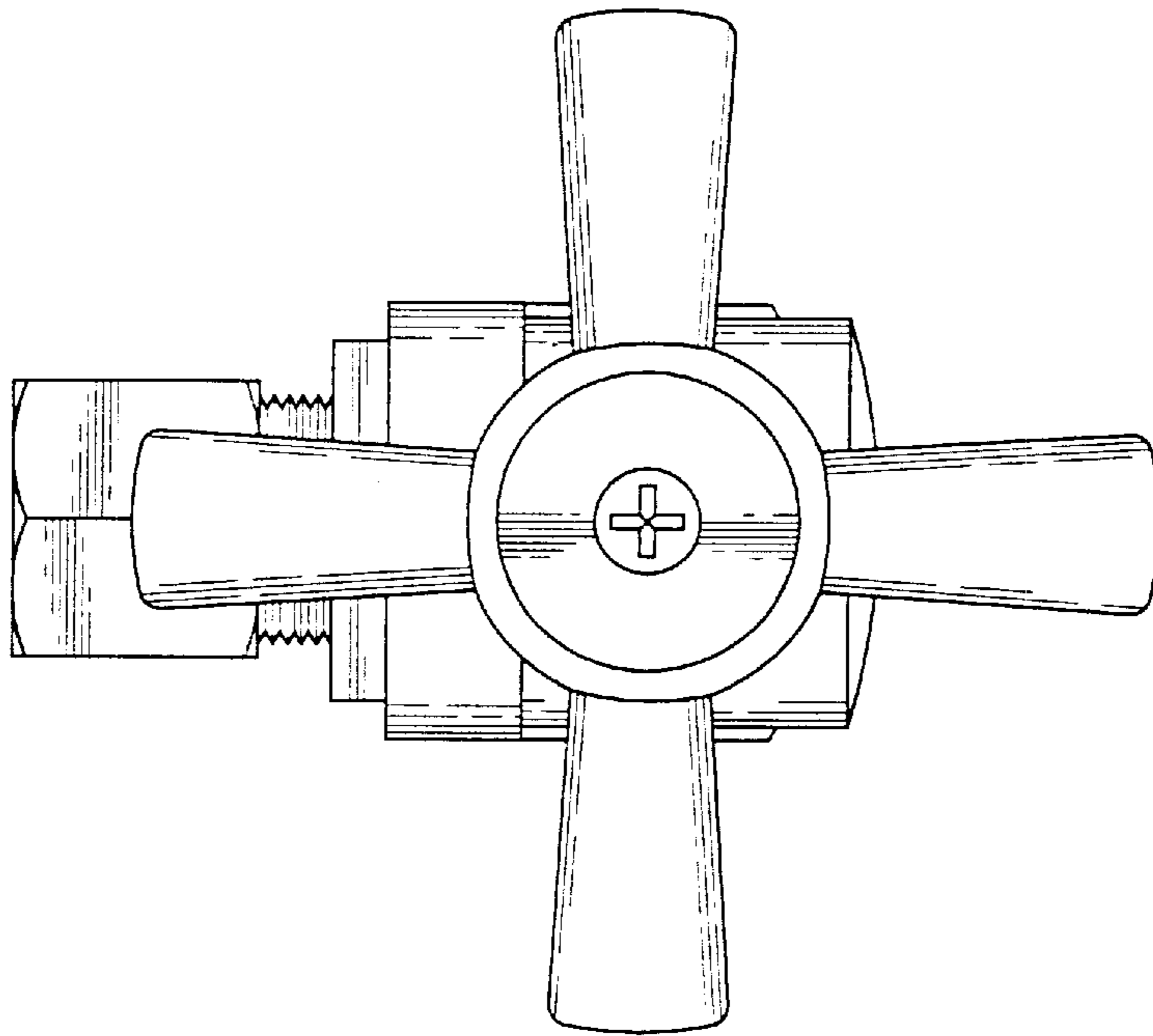


FIG. 6

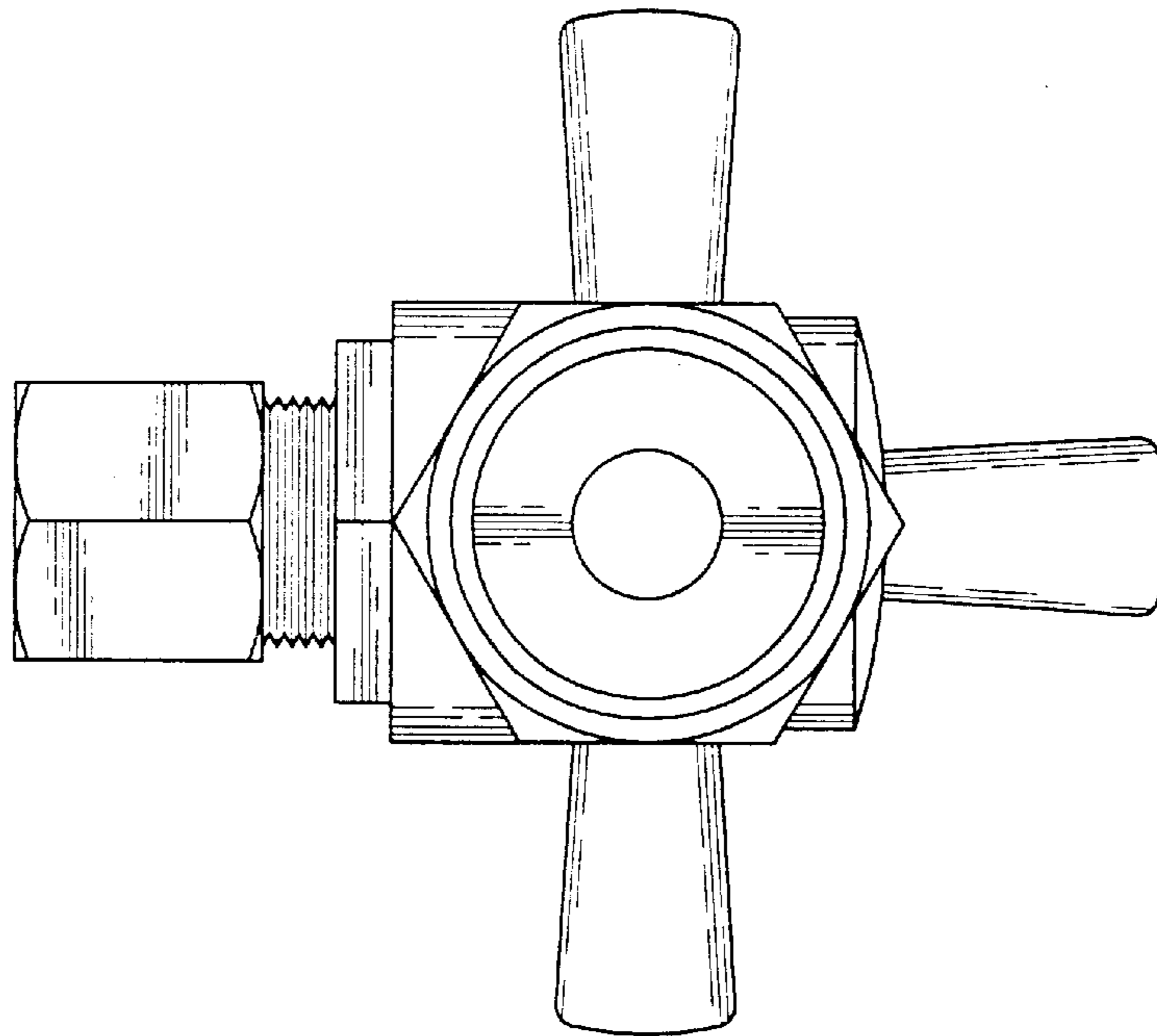


FIG. 7

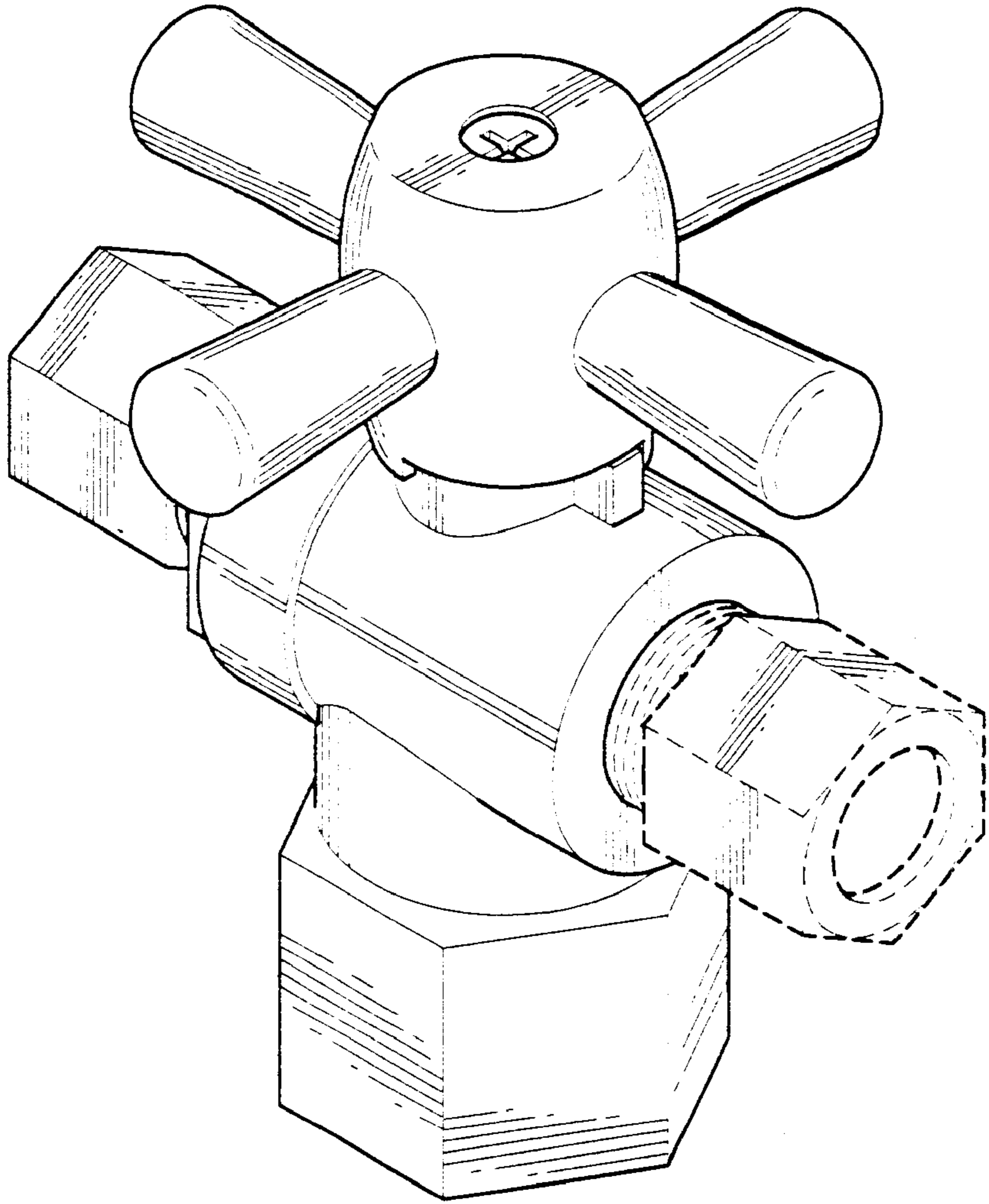


FIG.8

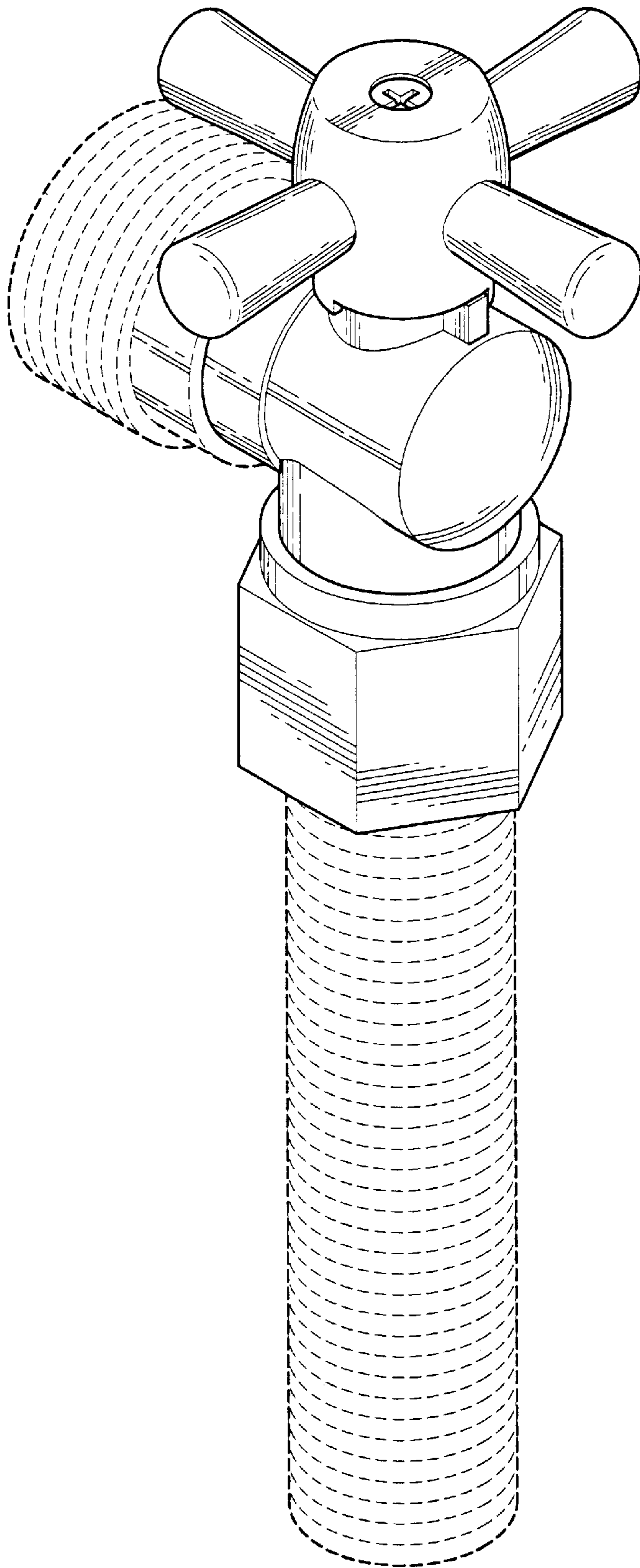


FIG. 9