



US00D458663S

(12) **United States Design Patent**  
**De Frisco**

(10) **Patent No.:** **US D458,663 S**

(45) **Date of Patent:** **\*\* Jun. 11, 2002**

(54) **FISHING LINE FLOAT**

(76) **Inventor:** **Guy De Frisco**, 25760 Rancho Adobe,  
Valencia, CA (US) 91355

(\*\*) **Term:** **14 Years**

(21) **Appl. No.:** **29/141,161**

(22) **Filed:** **May 1, 2001**

(51) **LOC (7) Cl.** ..... **22-05**

(52) **U.S. Cl.** ..... **D22/146**

(58) **Field of Search** ..... D22/146, 145,  
D22/134, 199; 43/43.1, 44.9, 44.91; D11/121

(56) **References Cited**

**U.S. PATENT DOCUMENTS**

1,437,284	A	*	11/1922	Wagner	.....	43/43.1
2,315,048	A	*	3/1943	Croft	.....	43/44.9
3,273,278	A	*	9/1966	Lynch	.....	43/44.9
D307,932	S	*	5/1990	Reed	.....	D22/146

D366,691	S	*	1/1996	Botkins	.....	D22/146
D401,997	S	*	12/1998	Lee	.....	D22/145
D442,256	S	*	5/2001	Haney	.....	D22/146

\* cited by examiner

*Primary Examiner*—Catherine R. Oliver

(74) *Attorney, Agent, or Firm*—Gary D. Schnittgrund

(57) **CLAIM**

The ornamental design for a fishing line float, as shown.

**DESCRIPTION**

FIG. 1 is a perspective view of the fishing line float showing my new design;

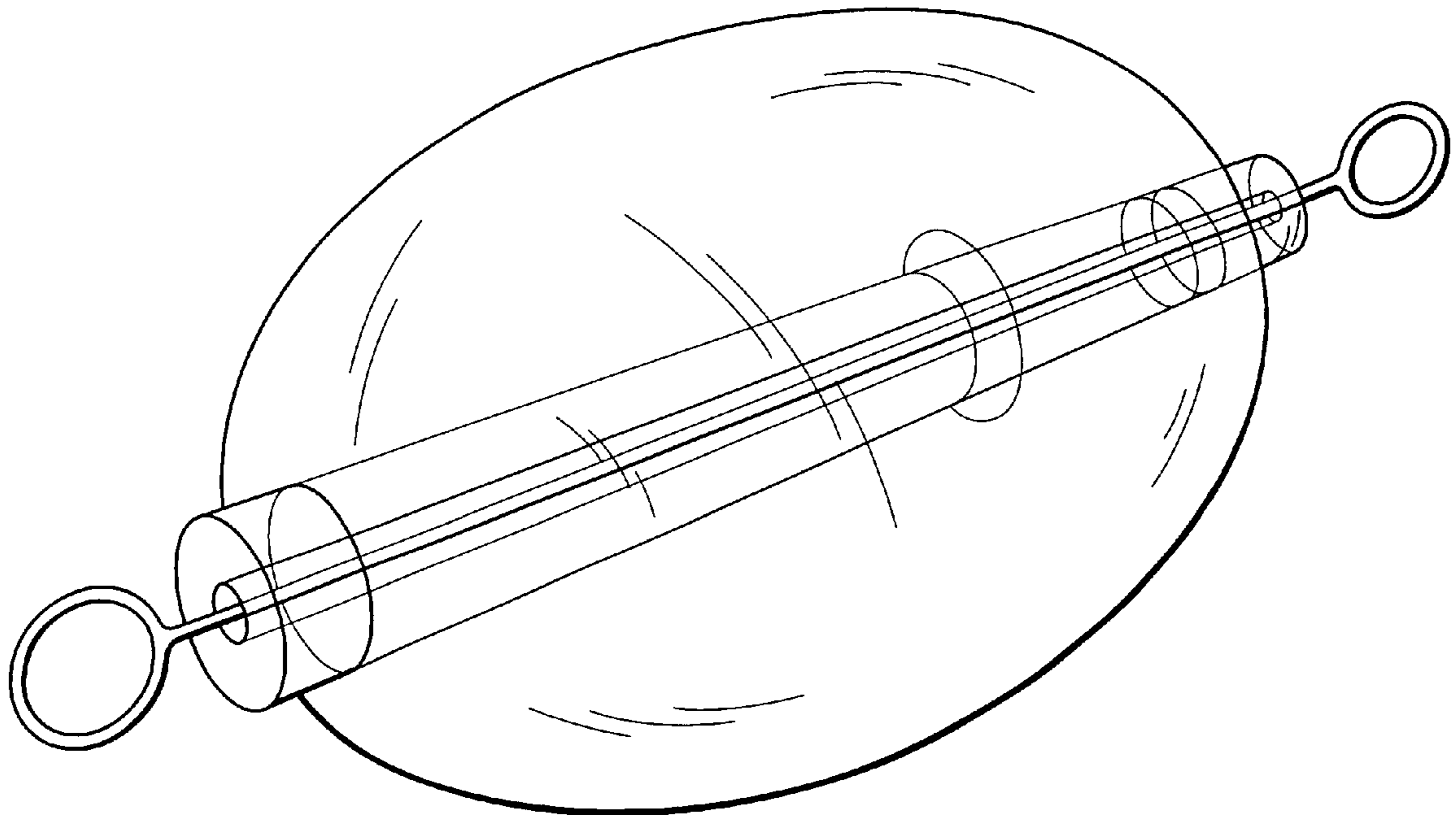
FIG. 2 is a side view thereof;

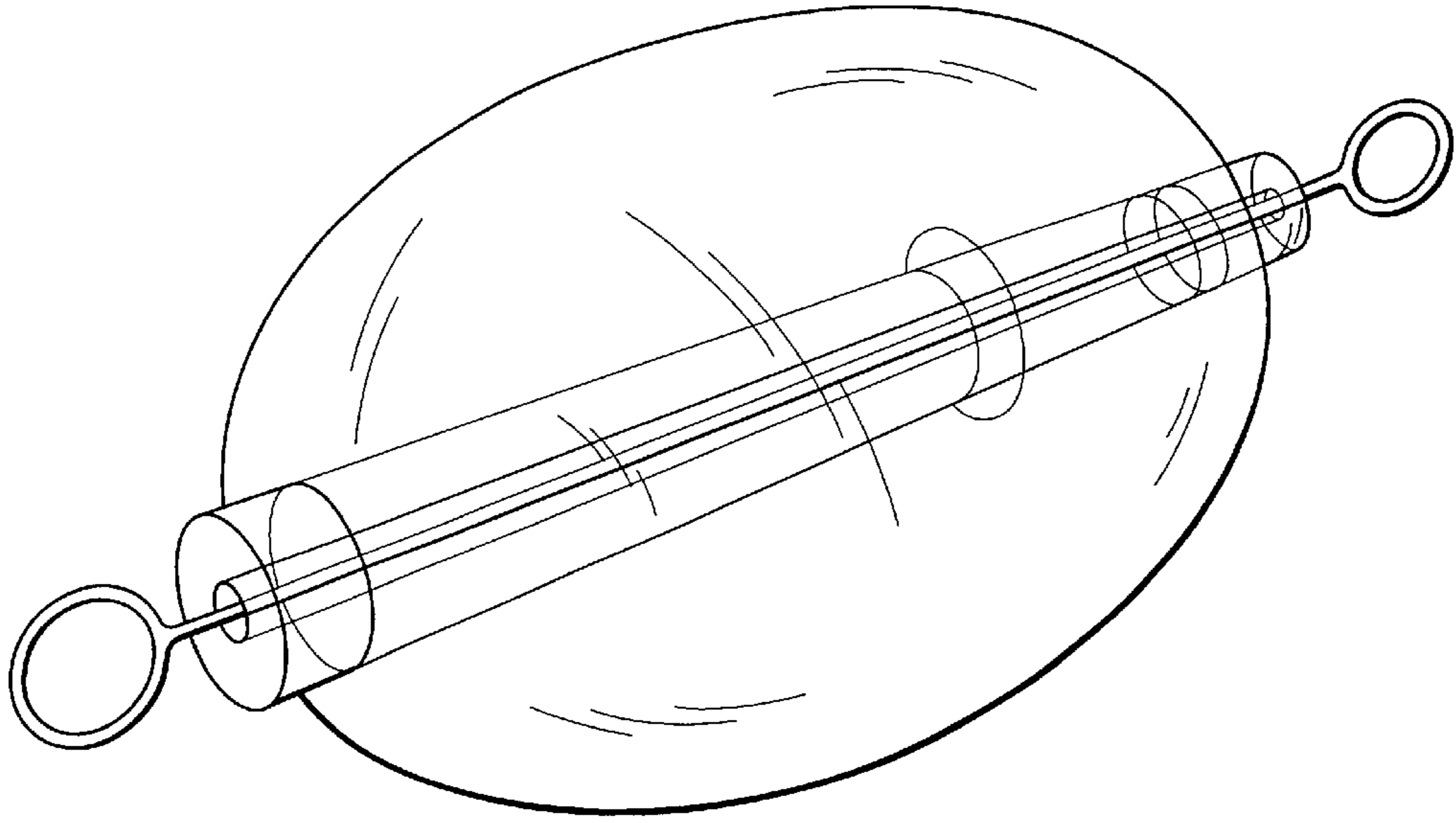
FIG. 3 is a top view.

FIG. 4 is a left end view; and,

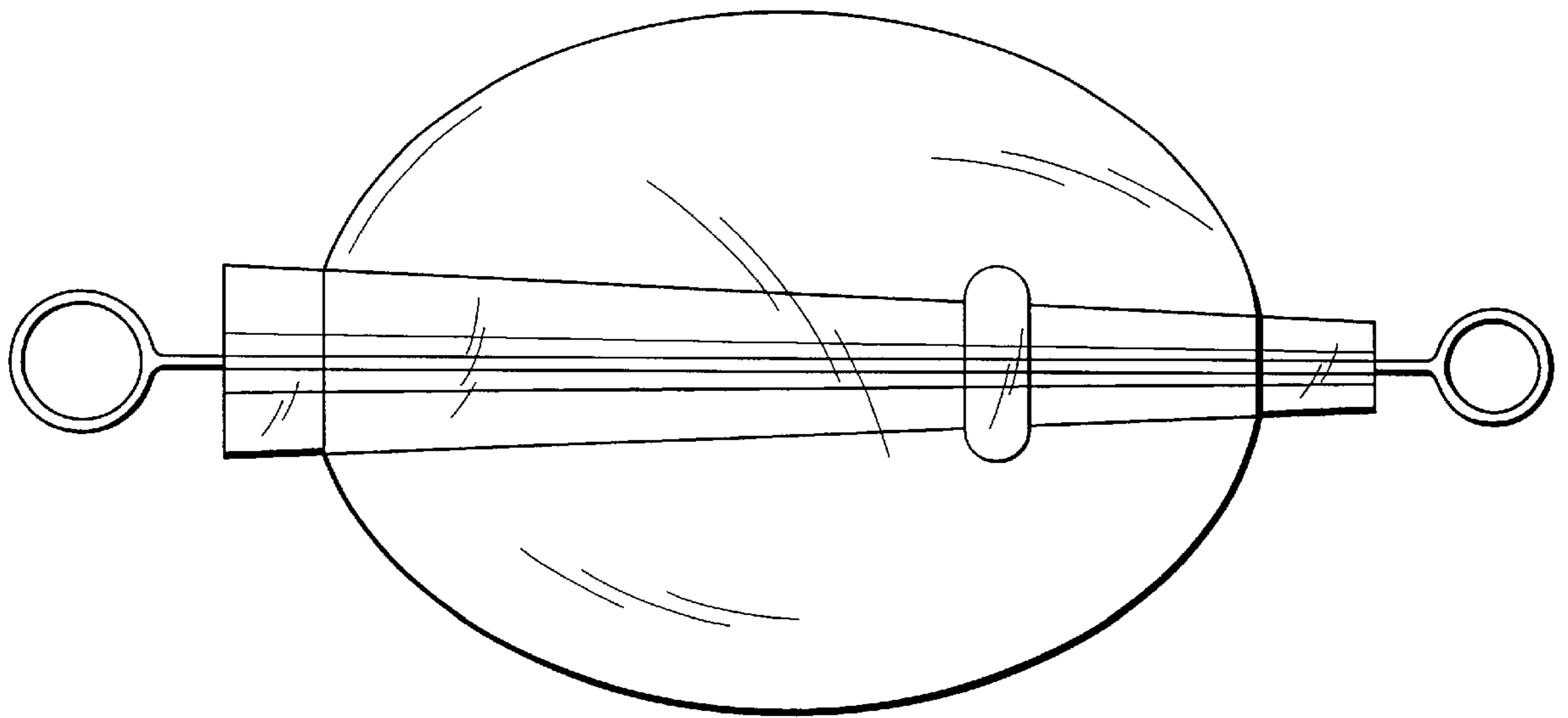
FIG. 5 is a right end view.

**1 Claim, 2 Drawing Sheets**

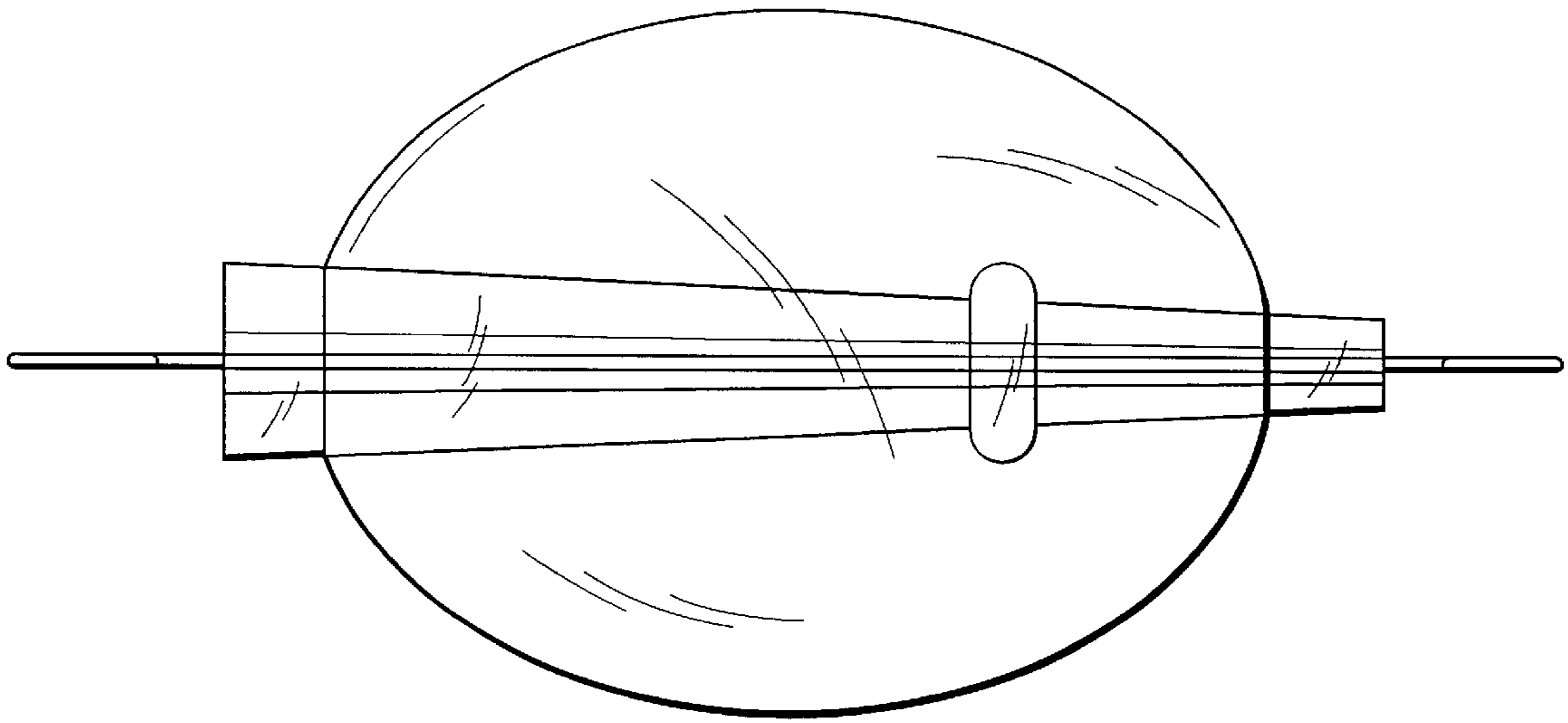




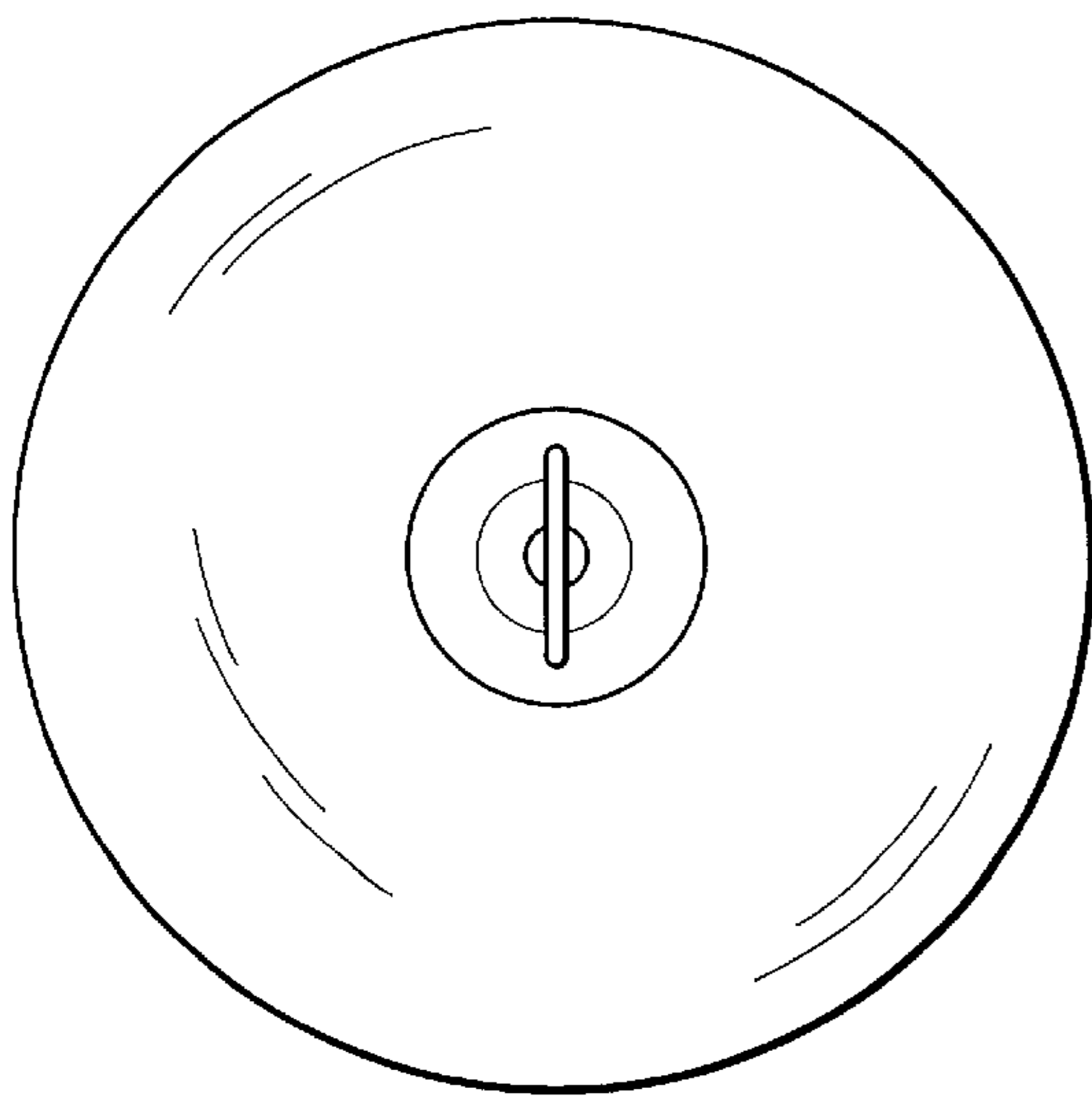
*Fig. 1*



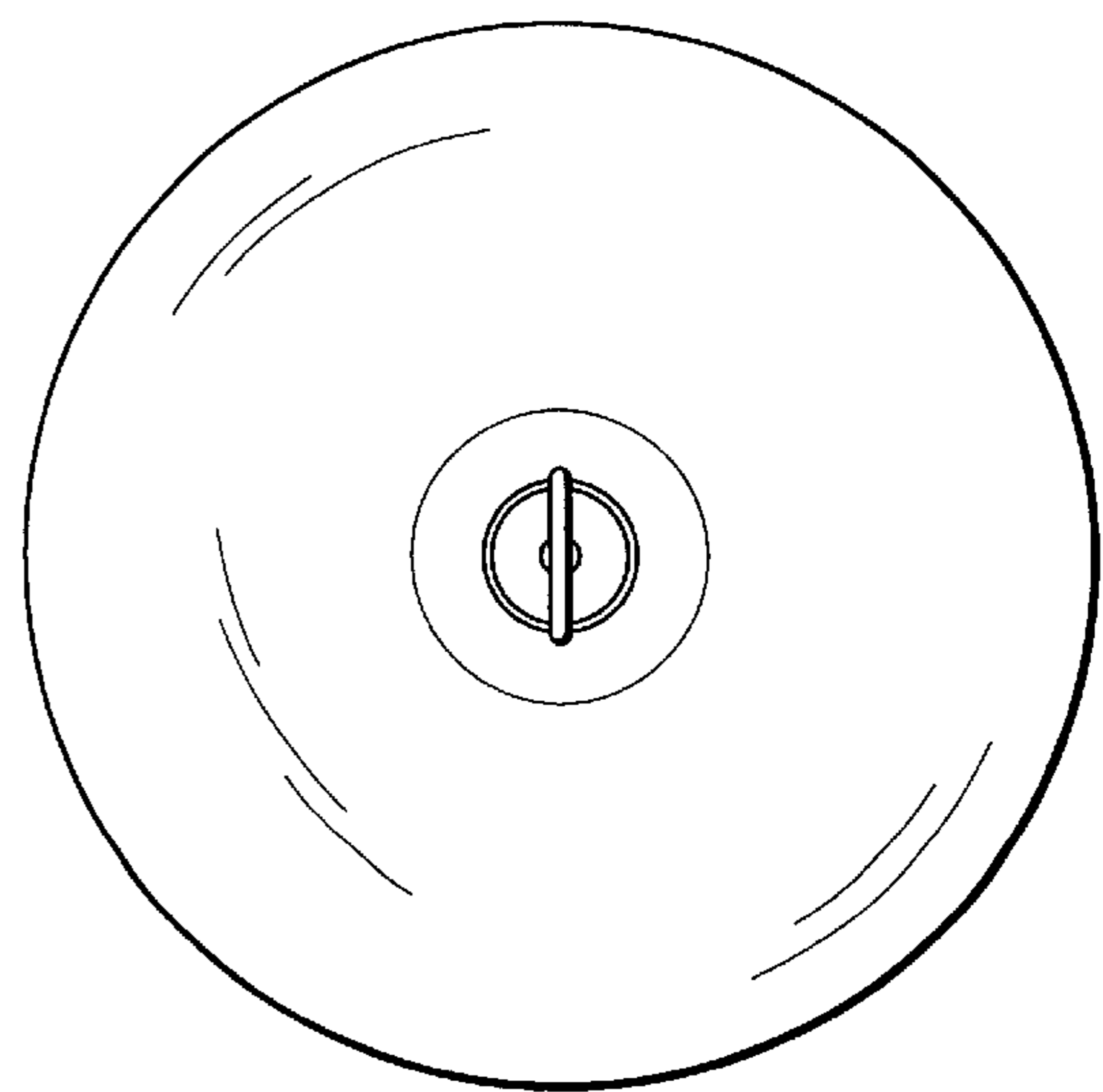
*Fig. 2*



*Fig. 3*



*Fig. 4*



*Fig. 5*