



US00D458658S

(12) **United States Design Patent**
Jung

(10) **Patent No.:** **US D458,658 S**

(45) **Date of Patent:** **** Jun. 11, 2002**

(54) **PUTTER HEAD**

(76) Inventor: **Matt Jung**, 2750 Washington Blvd.,
Ste. 150, Pasadena, CA (US) 91107

(**) Term: **14 Years**

(21) Appl. No.: **29/145,662**

(22) Filed: **Jul. 26, 2001**

(51) **LOC (7) Cl.** **21-02**

(52) **U.S. Cl.** **D21/744**

(58) **Field of Search** D21/736-746;
473/251-256, 324, 327-331, 340, 341

(56) **References Cited**

U.S. PATENT DOCUMENTS

D209,294 S	*	11/1967	Hitt	D21/745
4,650,191 A	*	3/1987	Mills	473/341
D328,114 S	*	7/1992	Antonious	D21/742
D381,725 S	*	7/1997	Sugo	D21/742
D443,905 S	*	6/2001	Nicolette et al.	D21/743

* cited by examiner

Primary Examiner—Mitchell Siegel

(74) *Attorney, Agent, or Firm*—Clement Cheng

(57) **CLAIM**

The ornamental design for a putter head, as shown and described.

DESCRIPTION

The antennae are intended for ornamental purposes. The ball at the end of the antennae optionally displays a slight circular marking to enhance the overall snail-like appearance of the putter head.

FIG. 1 is a rear perspective view of the putter head;

FIG. 2 is a front perspective view thereof;

FIG. 3 is a front perspective view of a second embodiment of the putter head as disclosed in FIG. 1;

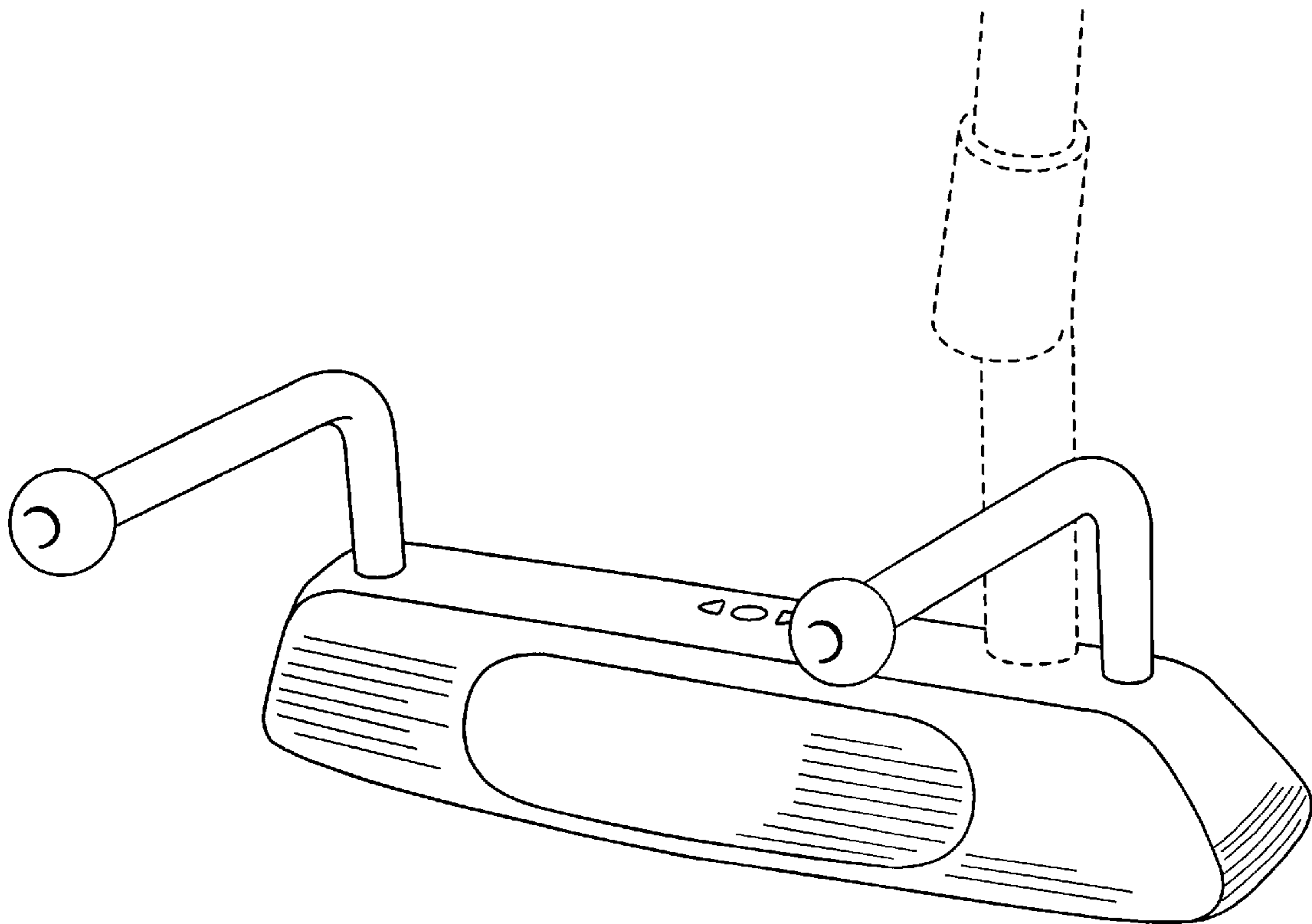
FIG. 4 is a rear perspective view of FIG. 3; and,

FIG. 5 is a front perspective view of a third embodiment of the putter head as disclosed in FIG. 1.

The undisclosed sides of the third embodiment are identical to that disclosed in the first and second embodiments.

The broken line showing is for illustrative purposes only and forms no part of the claimed design.

1 Claim, 5 Drawing Sheets



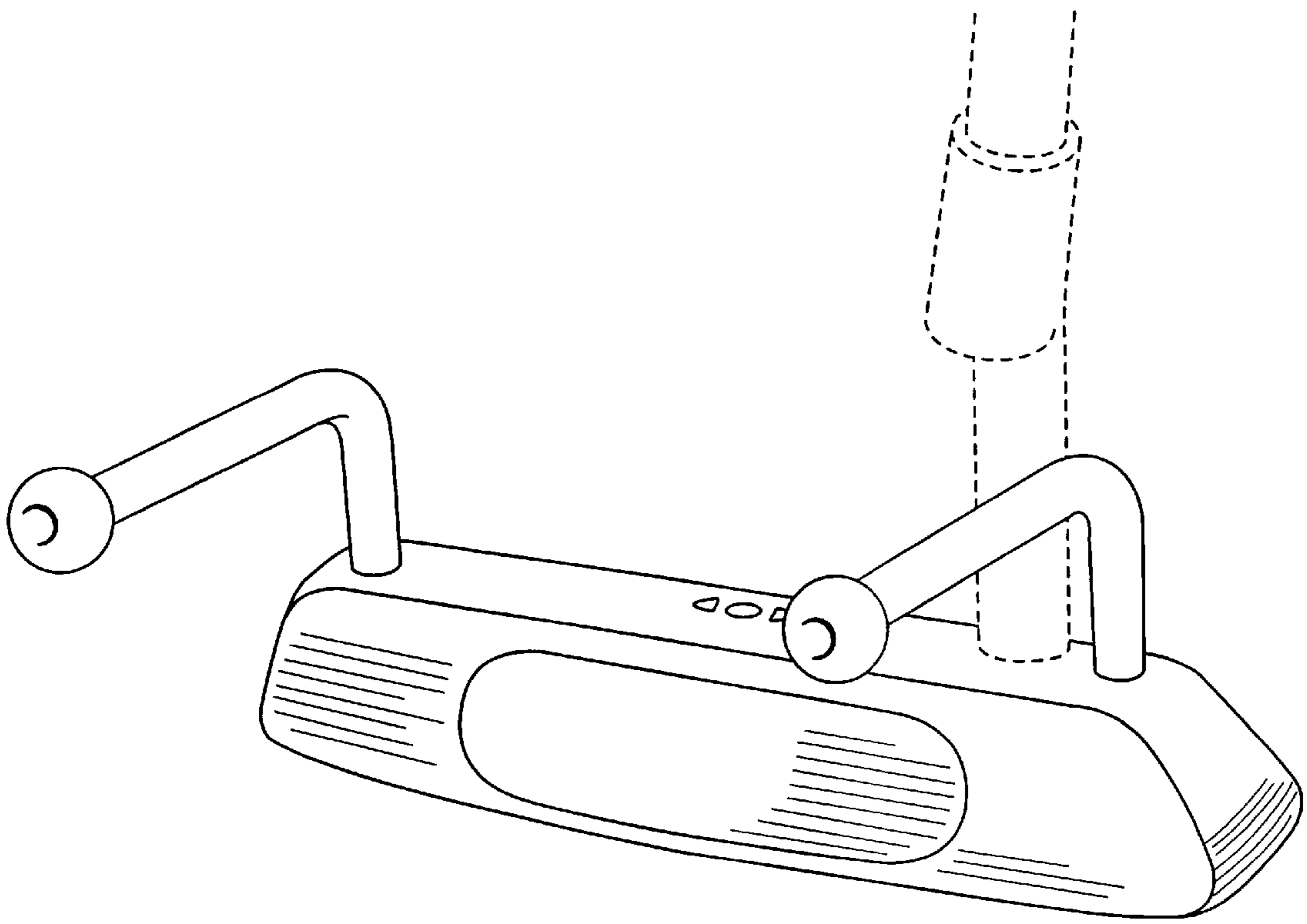


Fig. 1

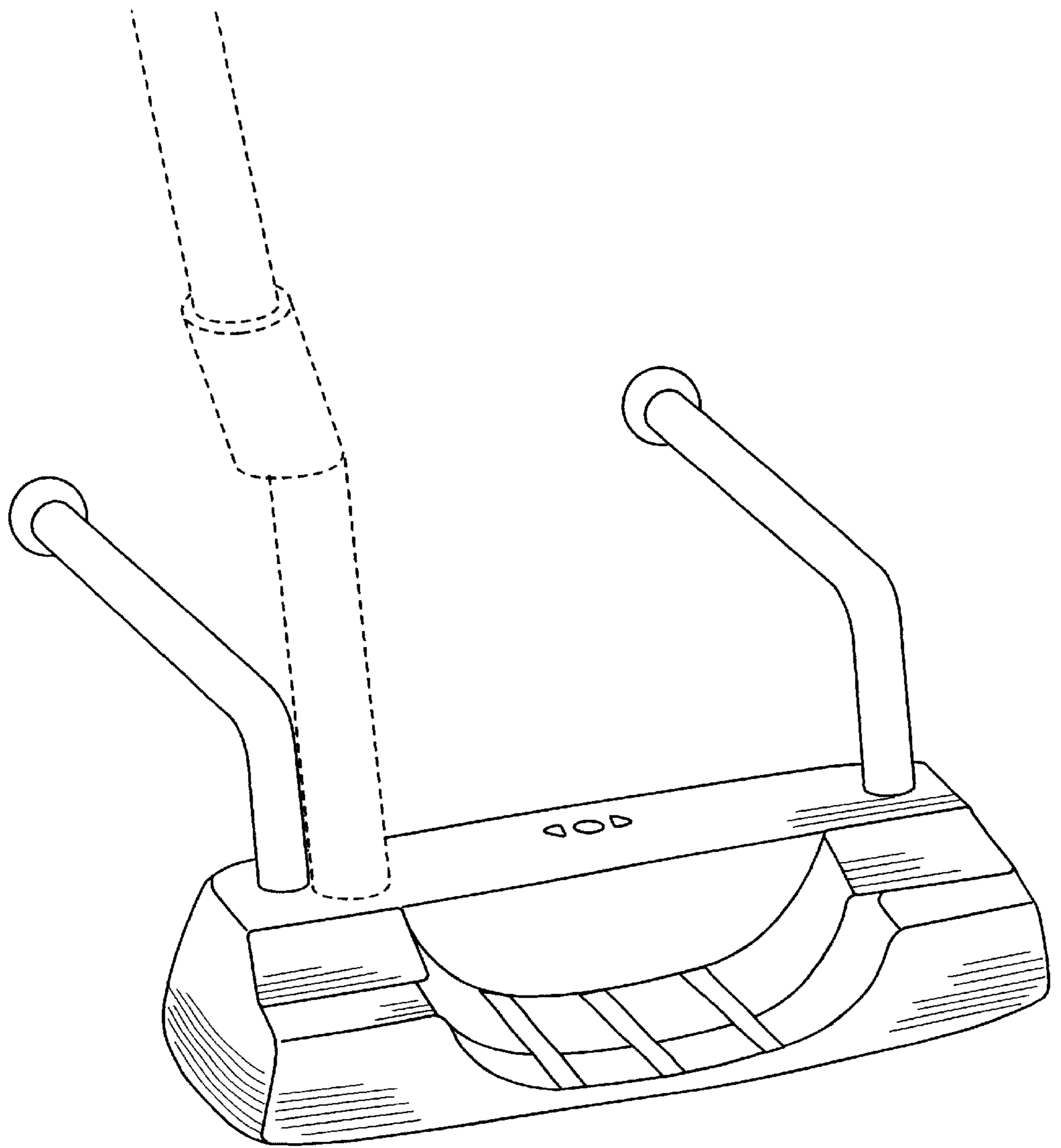


Fig. 2

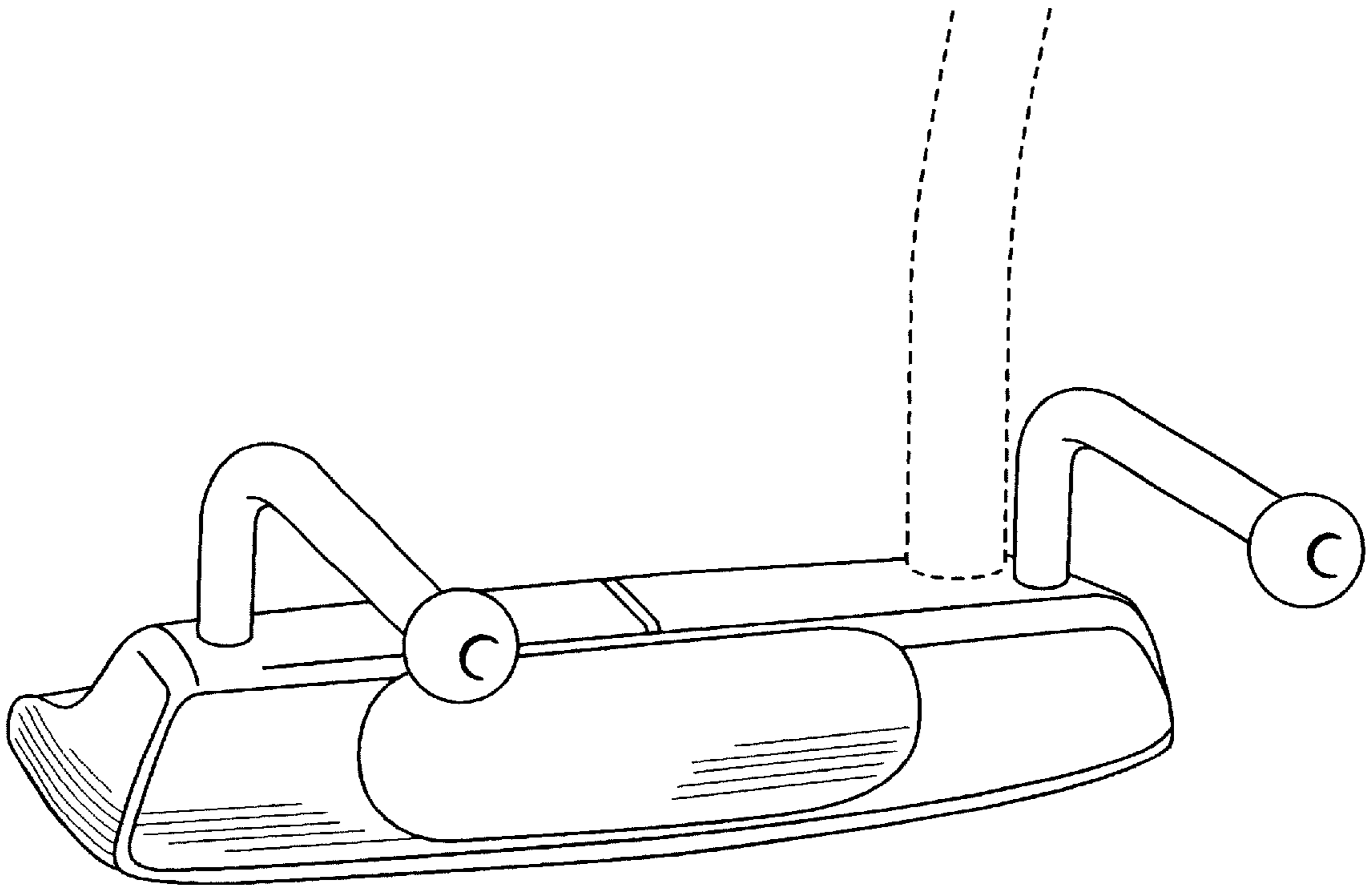


Fig. 3

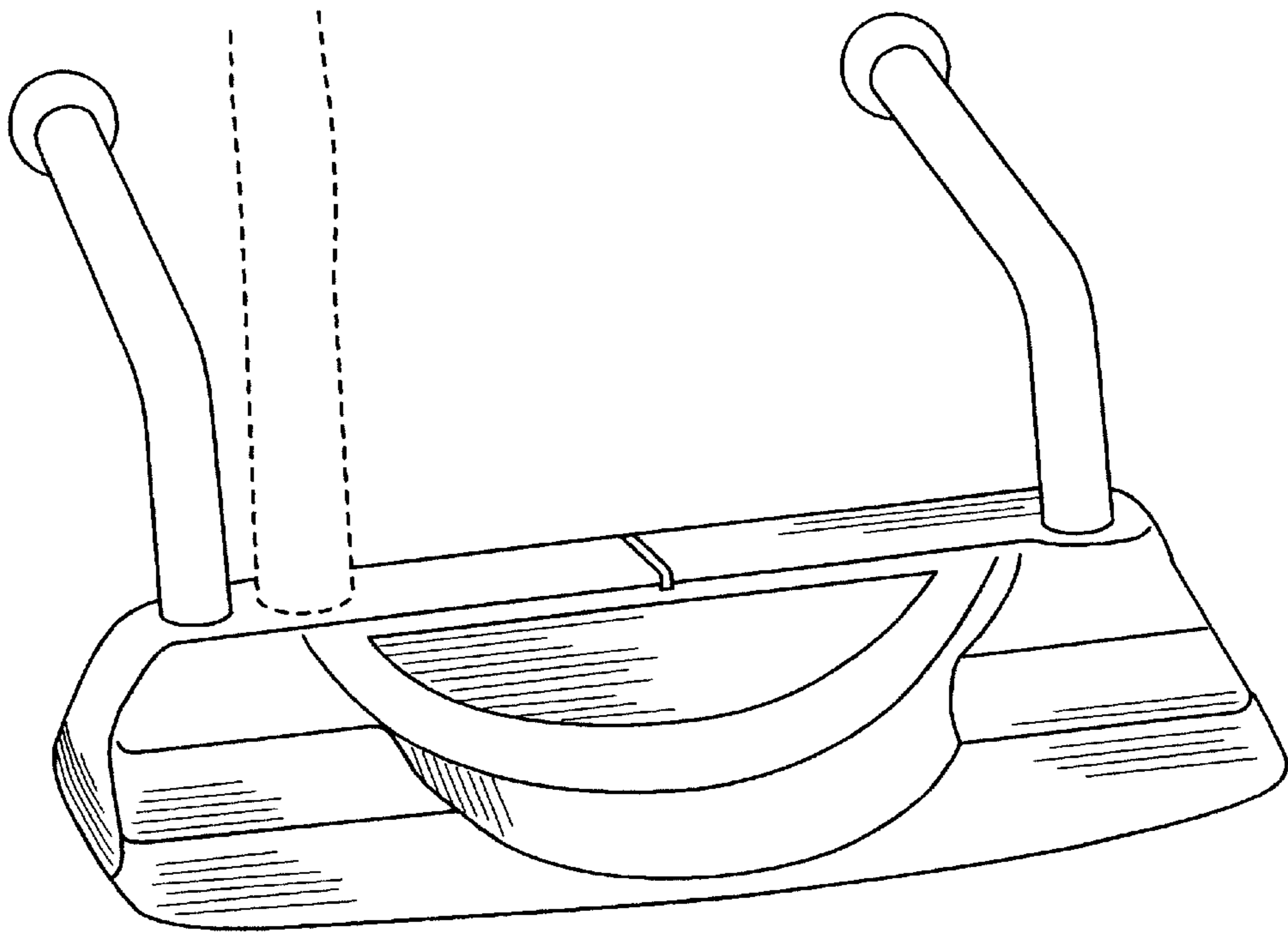


Fig. 4

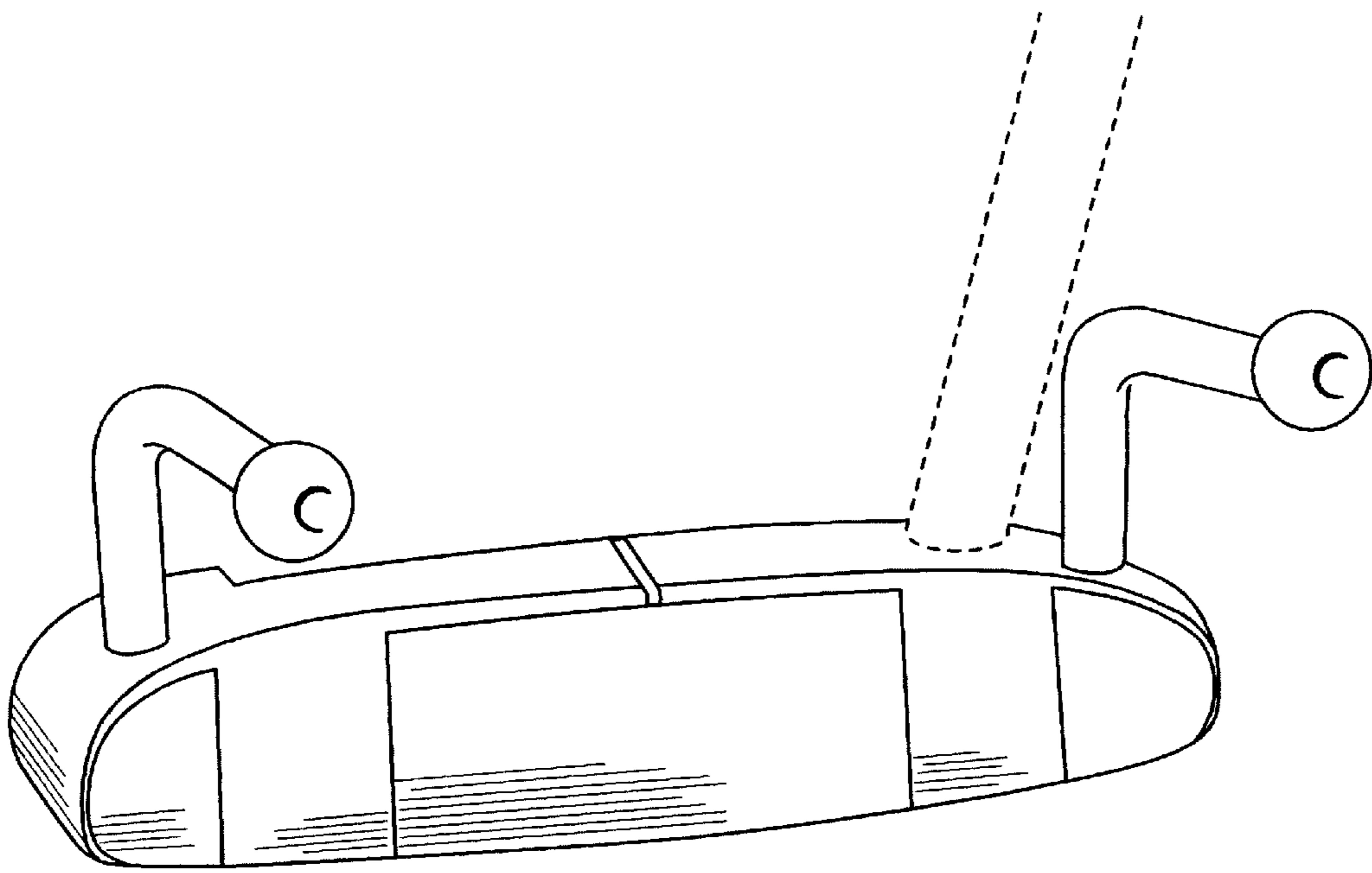


Fig. 5