



US00D458652S

(12) **United States Design Patent**
Chan

(10) **Patent No.:** **US D458,652 S**

(45) **Date of Patent:** **** Jun. 11, 2002**

(54) **TOY GUN**

(75) **Inventor:** **Kam Kong Andy Chan, Fanling (CN)**

(73) **Assignee:** **Logic 3 International Ltd., Middlesex (GB)**

(**) **Term:** **14 Years**

(21) **Appl. No.:** **29/141,684**

(22) **Filed:** **May 10, 2001**

(51) **LOC (7) Cl.** **21-01**

(52) **U.S. Cl.** **D21/574**

(58) **Field of Search** **D21/567-575;**
D22/104; 446/192, 405, 473; 42/54, 7,
50, 103, 71.02; 89/196, 148; 124/78, 6,
16, 27, 49

(56) **References Cited**

U.S. PATENT DOCUMENTS

3,204,627 A * 9/1965 Yano 124/49
D207,016 S * 2/1967 Yano D21/574
4,114,311 A * 9/1978 Chow 42/54

5,233,776 A * 8/1993 Hessey 446/473
D359,098 S * 6/1995 Stevens D22/104
D359,788 S * 6/1995 Ruger et al. D22/104
D363,107 S * 10/1995 Sanford D22/104
6,073,381 A * 6/2000 Farrar 42/71.02

* cited by examiner

Primary Examiner—Raphael Barkai

(74) *Attorney, Agent, or Firm*—Alix, Yale & Ristas, LLP

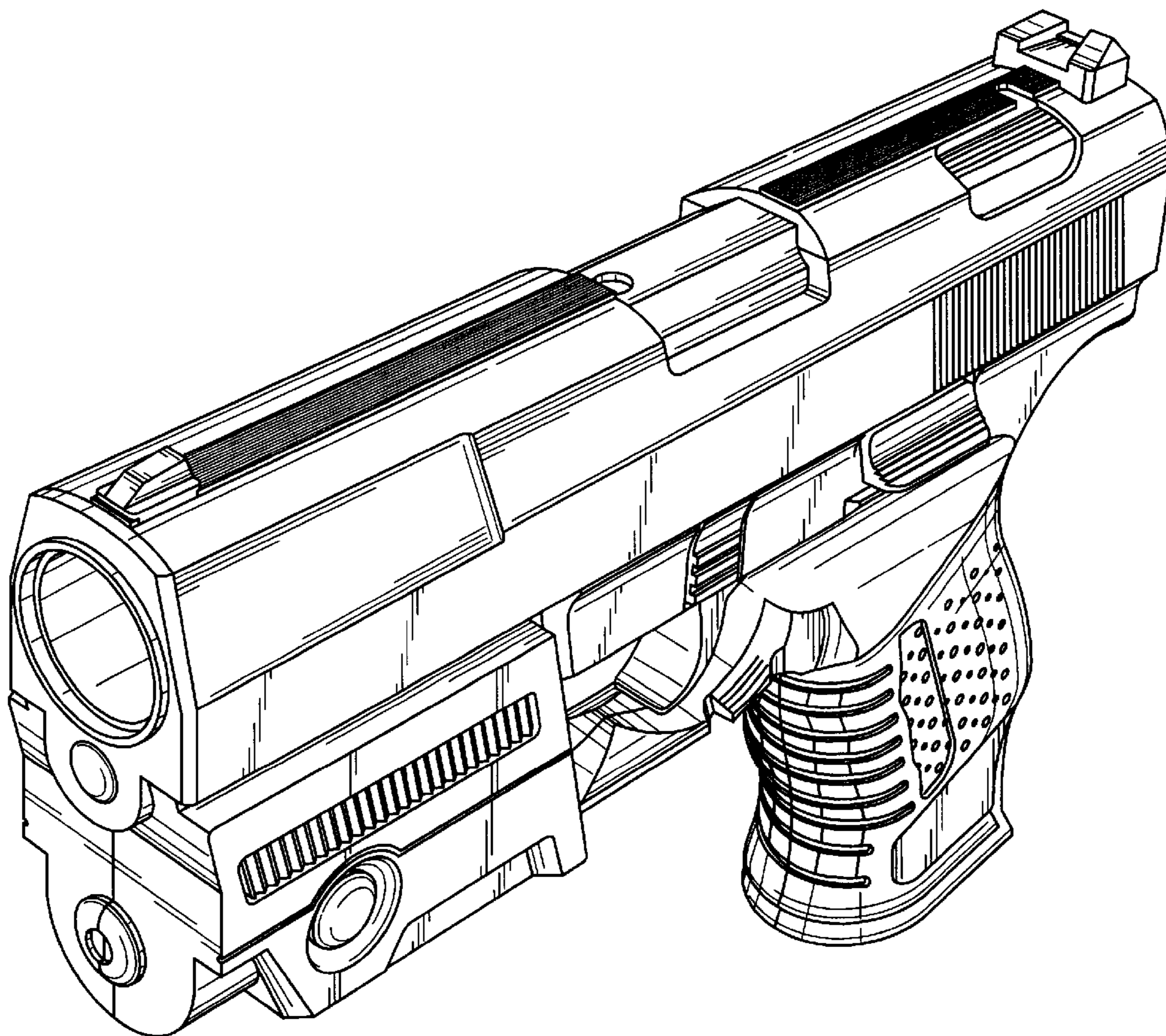
(57) **CLAIM**

The ornamental design for a toy gun, as shown and described.

DESCRIPTION

FIG. 1 is a perspective view of the toy gun showing my new design;
FIG. 2 is a right view of the toy gun of FIG. 1;
FIG. 3 is a top view of the toy gun of FIG. 1;
FIG. 4 is a front view of the toy gun of FIG. 1;
FIG. 5 is a rear view of the toy gun of FIG. 1;
FIG. 6 is a left view of the toy gun of FIG. 1; and,
FIG. 7 is a bottom view of the toy gun of FIG. 1.

1 Claim, 4 Drawing Sheets



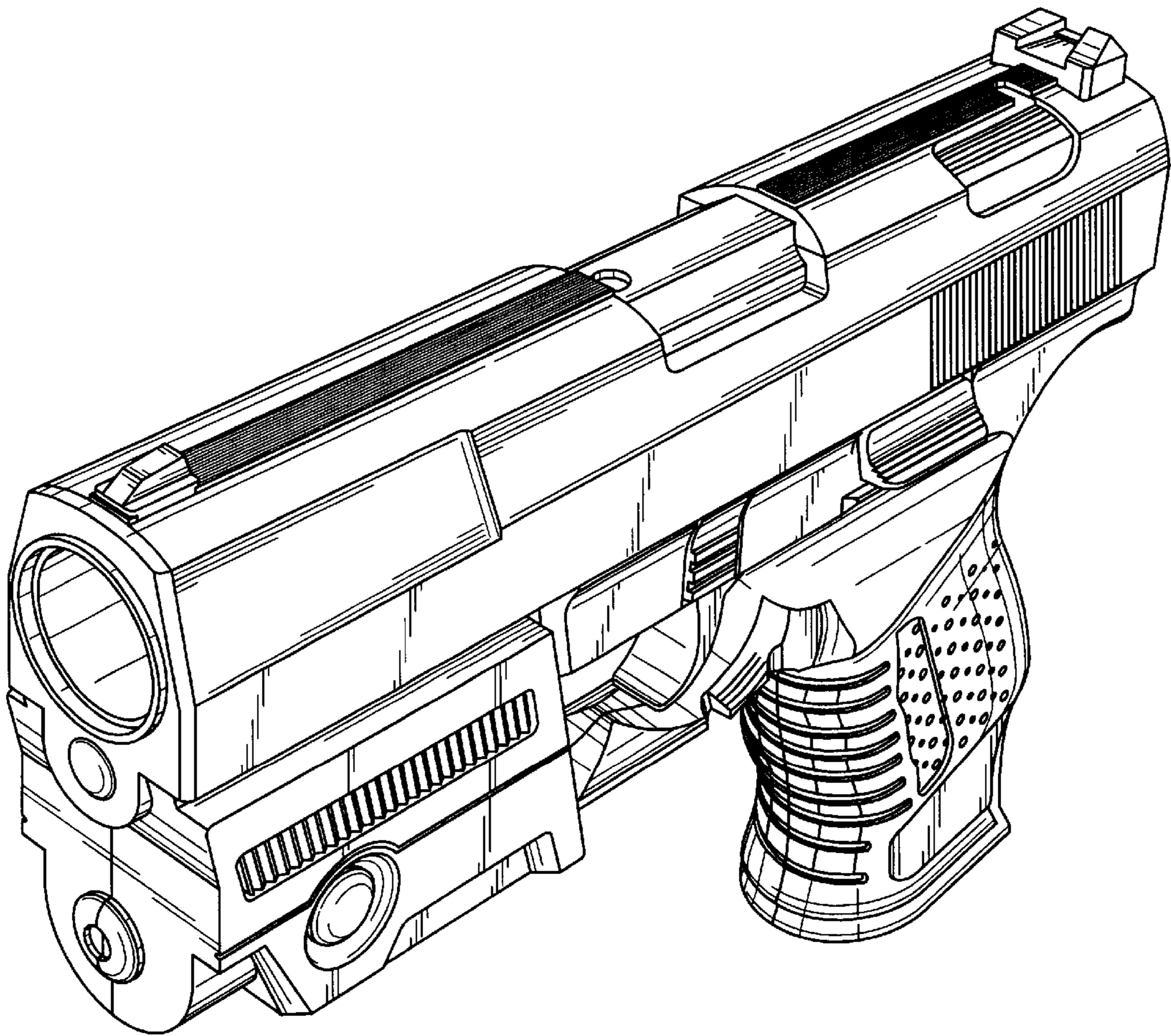


FIG. 1

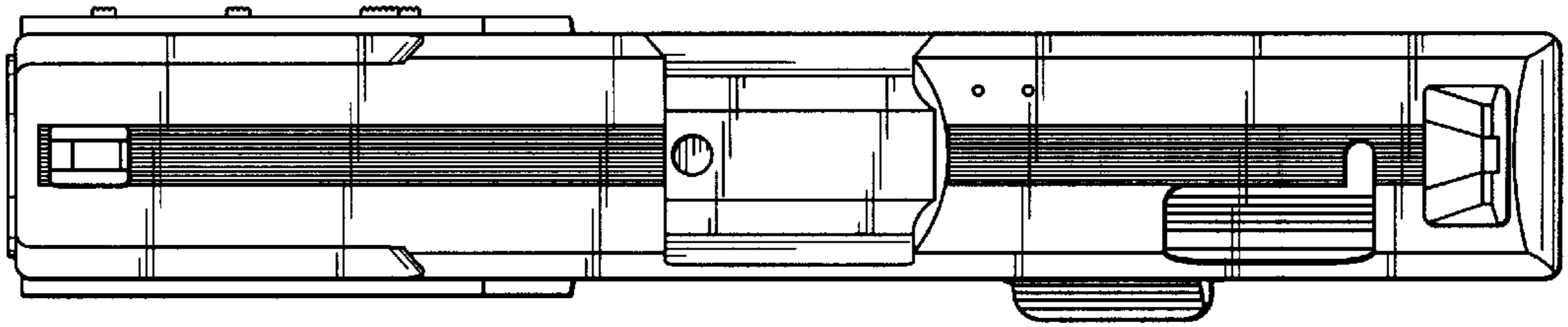


FIG. 3

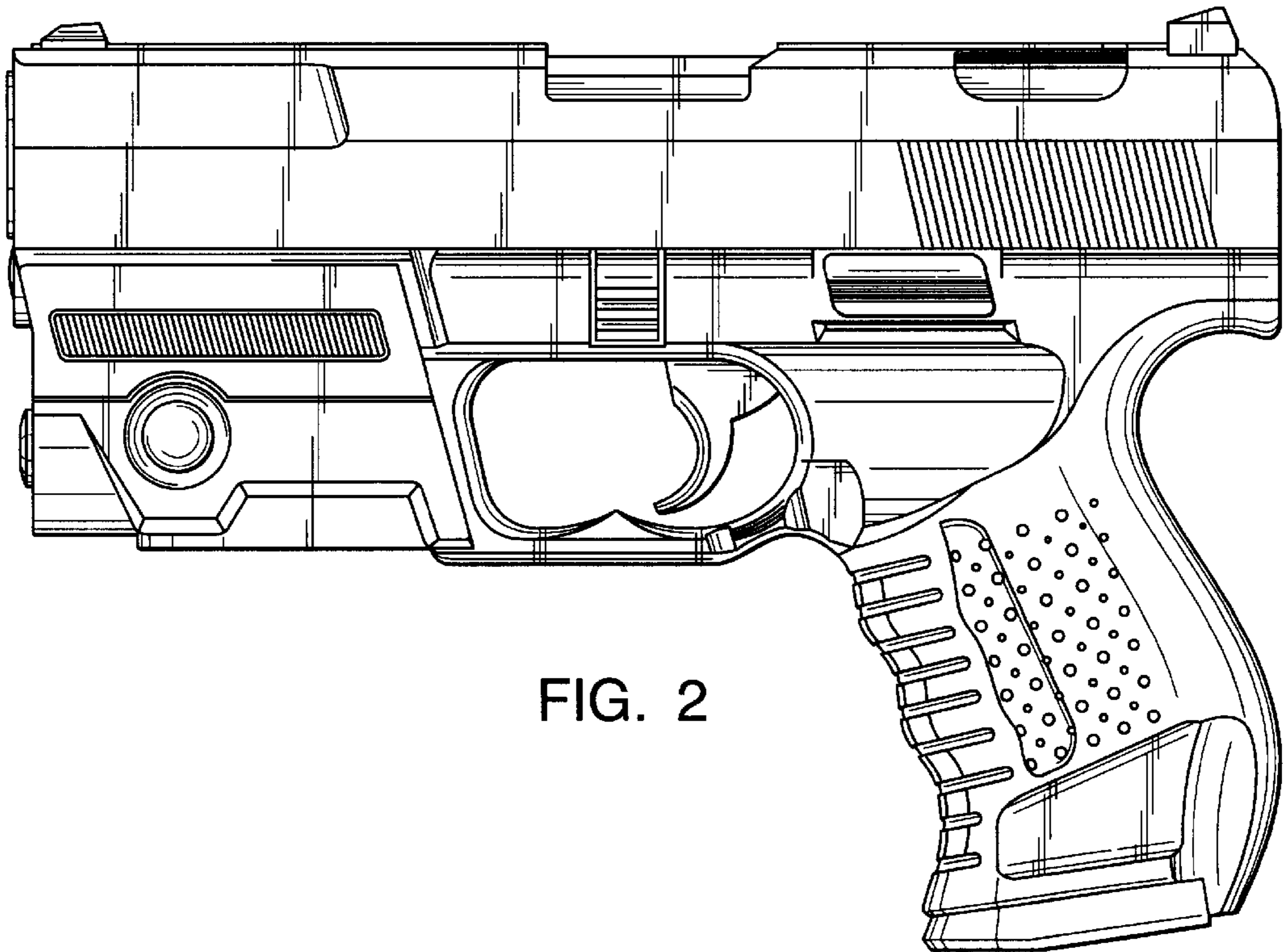


FIG. 2

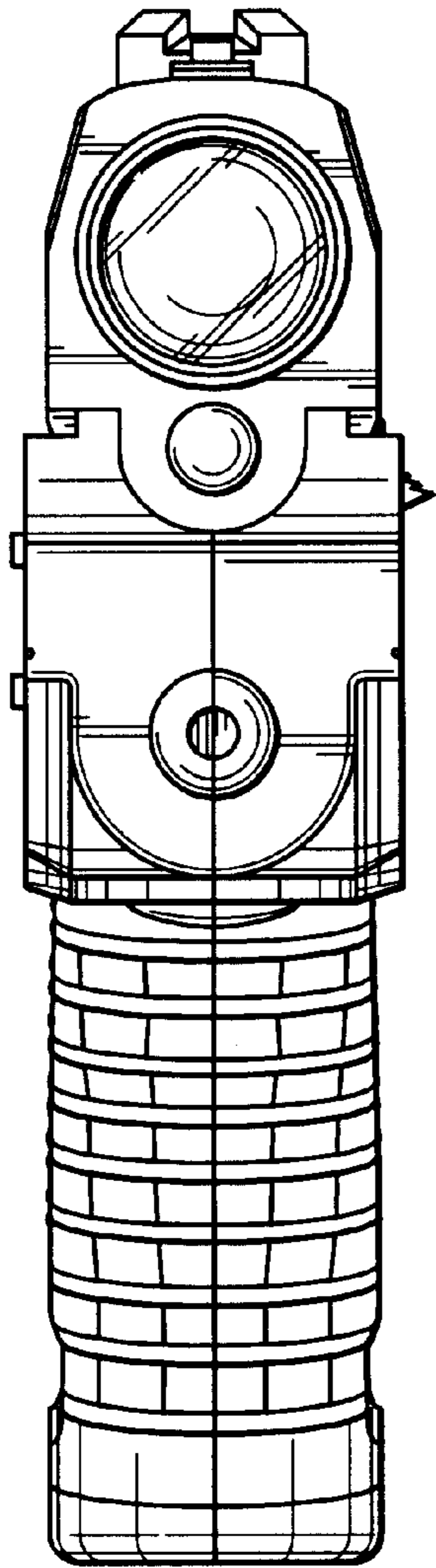


FIG. 4

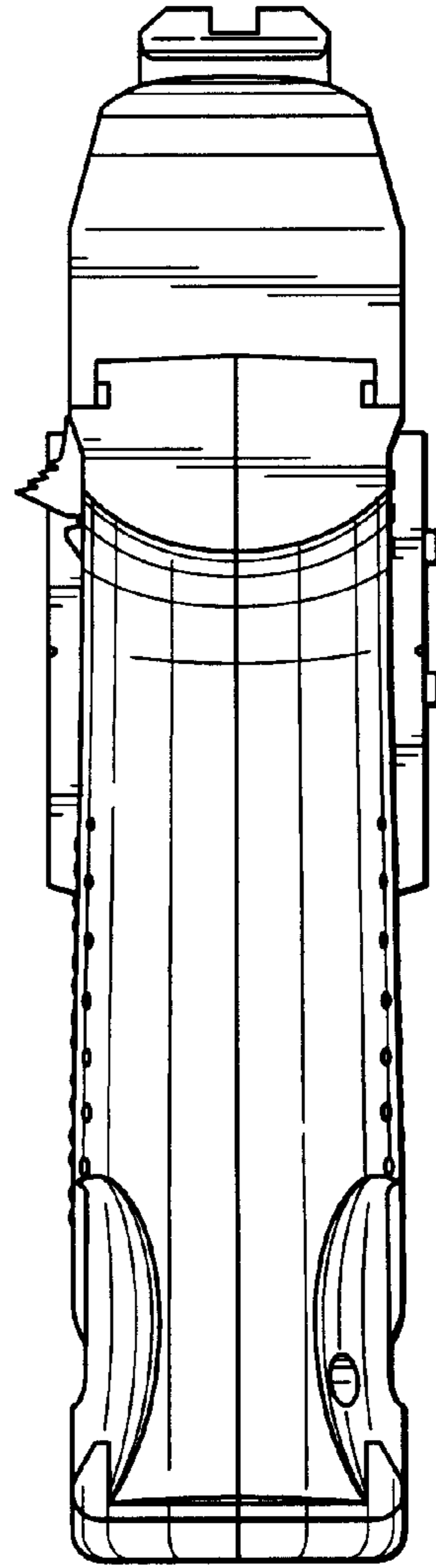


FIG. 5

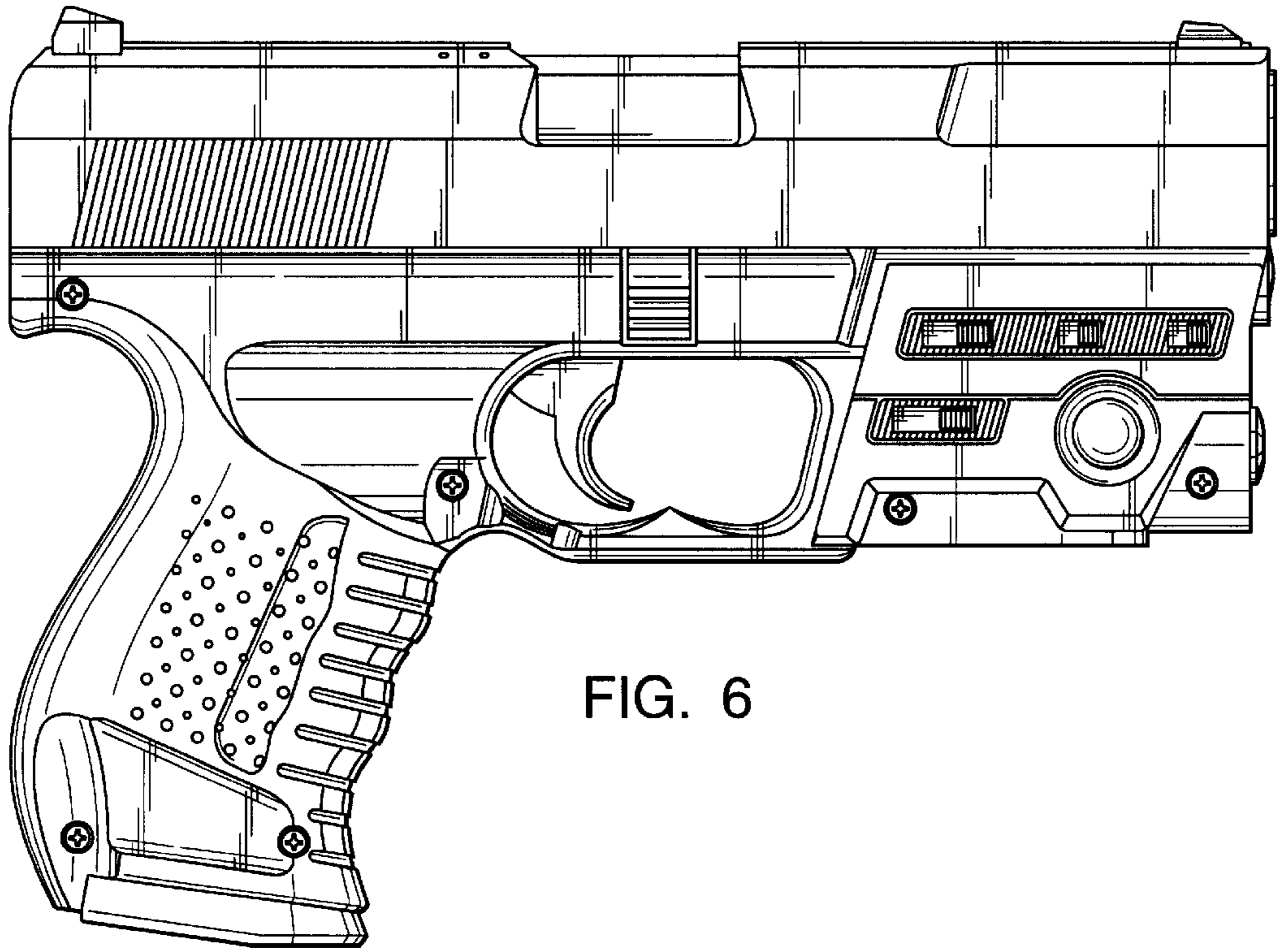


FIG. 6

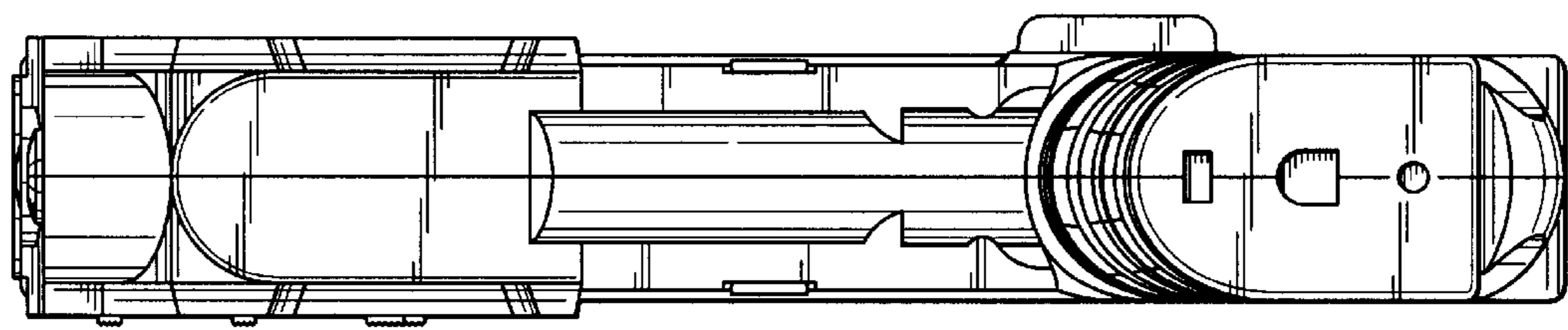


FIG. 7