



US00D458651S

(12) **United States Design Patent**
Lee

(10) **Patent No.:** **US D458,651 S**

(45) **Date of Patent:** **** Jun. 11, 2002**

(54) **HULA HOOP**

(76) **Inventor:** **Sang-Ho Lee**, #139 San Ducki-dong,
Ilsan-gu, Koyang-shi, Kyunggido (KR)

(**) **Term:** **14 Years**

(21) **Appl. No.:** **29/143,770**

(22) **Filed:** **Jun. 21, 2001**

(51) **LOC (7) Cl.** **21-01**

(52) **U.S. Cl.** **D21/457**

(58) **Field of Search** D21/457; 446/236,
446/242-244, 450

(56) **References Cited**

U.S. PATENT DOCUMENTS

D55,412 S	*	6/1920	Brown	D21/457
3,079,278 A	*	2/1963	Melin	446/236
4,052,982 A	*	10/1977	Ozeryansky	446/236 X
4,380,885 A	*	4/1983	Komagata	446/236
4,915,666 A	*	4/1990	Maleyko	446/242
D320,241 S	*	9/1991	Moore	D21/457
D342,294 S	*	12/1993	Kirkland	D21/457
D343,209 S	*	1/1994	Lee	D21/457
5,338,244 A	*	8/1994	Huang	446/242
5,569,134 A	*	10/1996	Nordanger	446/236 X

5,823,846 A * 10/1998 Arriola et al. 446/236

5,997,449 A * 12/1999 Lee 446/236 X

6,059,632 A * 5/2000 Sassak 446/236

6,102,769 A * 8/2000 Huang 446/236

* cited by examiner

Primary Examiner—Dominic Simone

(74) *Attorney, Agent, or Firm*—Birch, Stewart, Kolasch & Birch, LLP

(57) **CLAIM**

The ornamental design for a hula hoop, substantially as shown and described.

DESCRIPTION

FIG. 1 is perspective view of a hula hoop showing my new design;

FIG. 1A, is a perspective view of the detail of FIG. 1;

FIG. 2 is a front elevational view thereof;

FIG. 3 is a rear elevational view thereof;

FIG. 4 is a left side elevational view thereof;

FIG. 5 is a right side elevational view thereof;

FIG. 6 is a top plan view thereof; and,

FIG. 7 is a bottom view thereof.

1 Claim, 3 Drawing Sheets

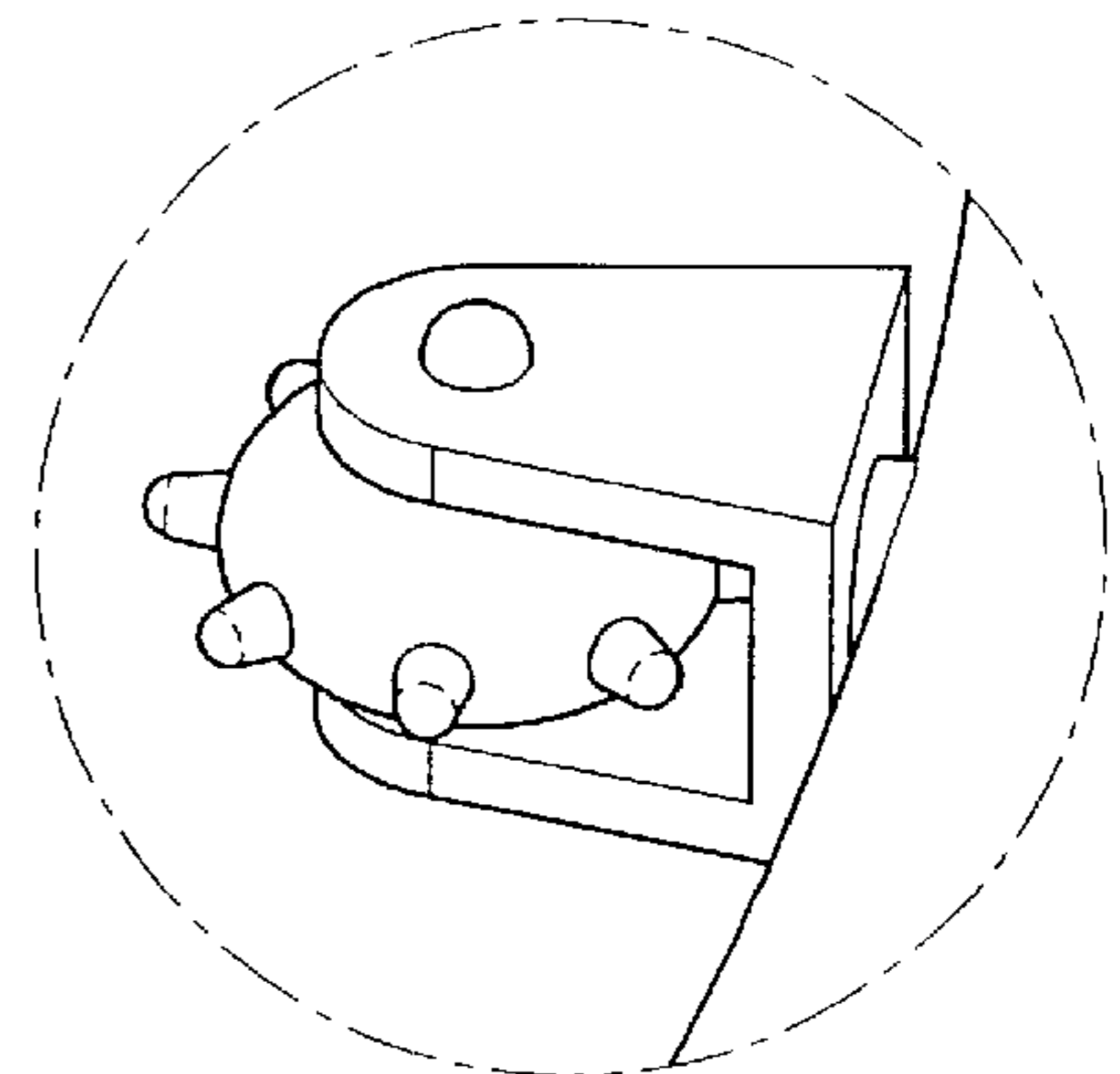
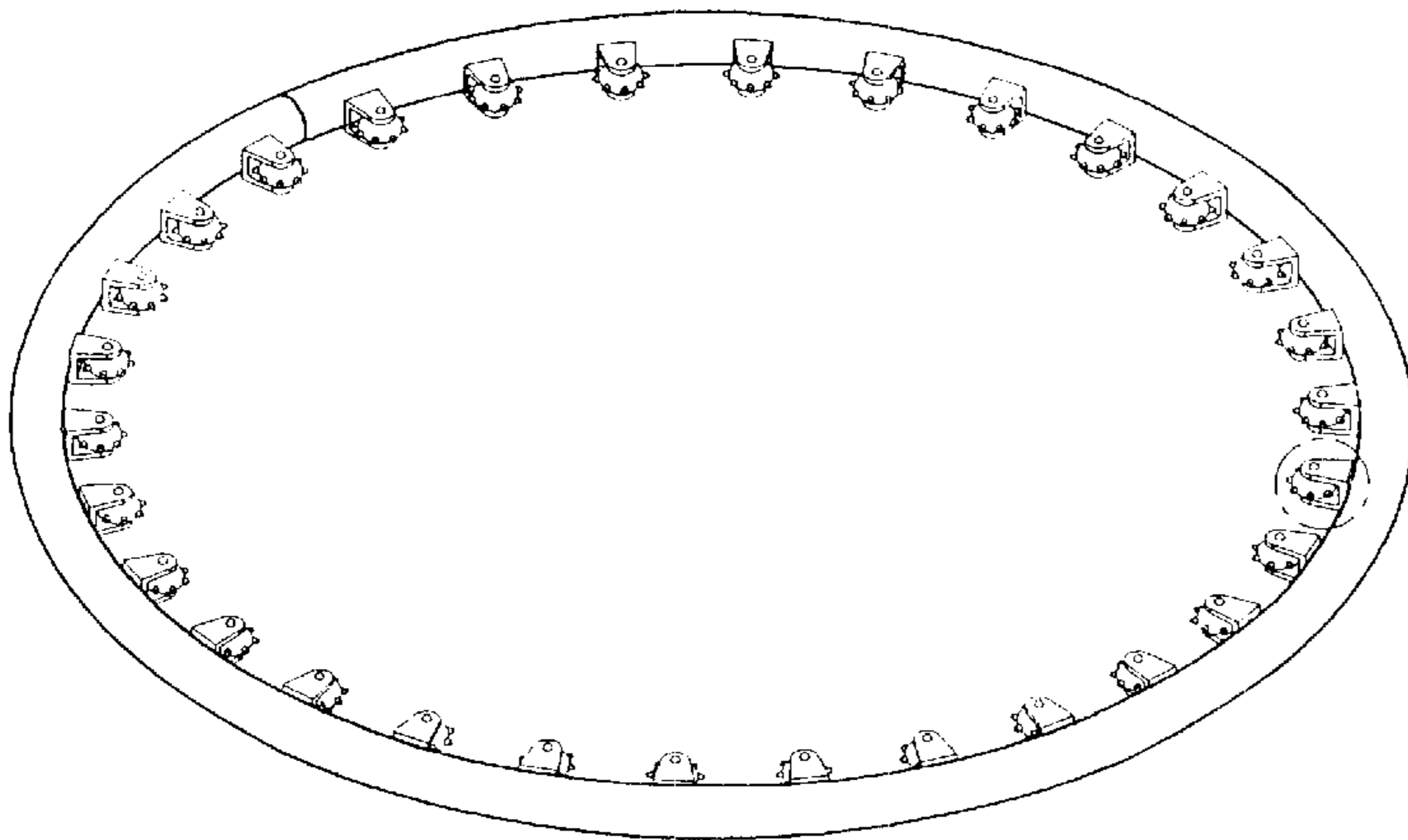


Figure 1

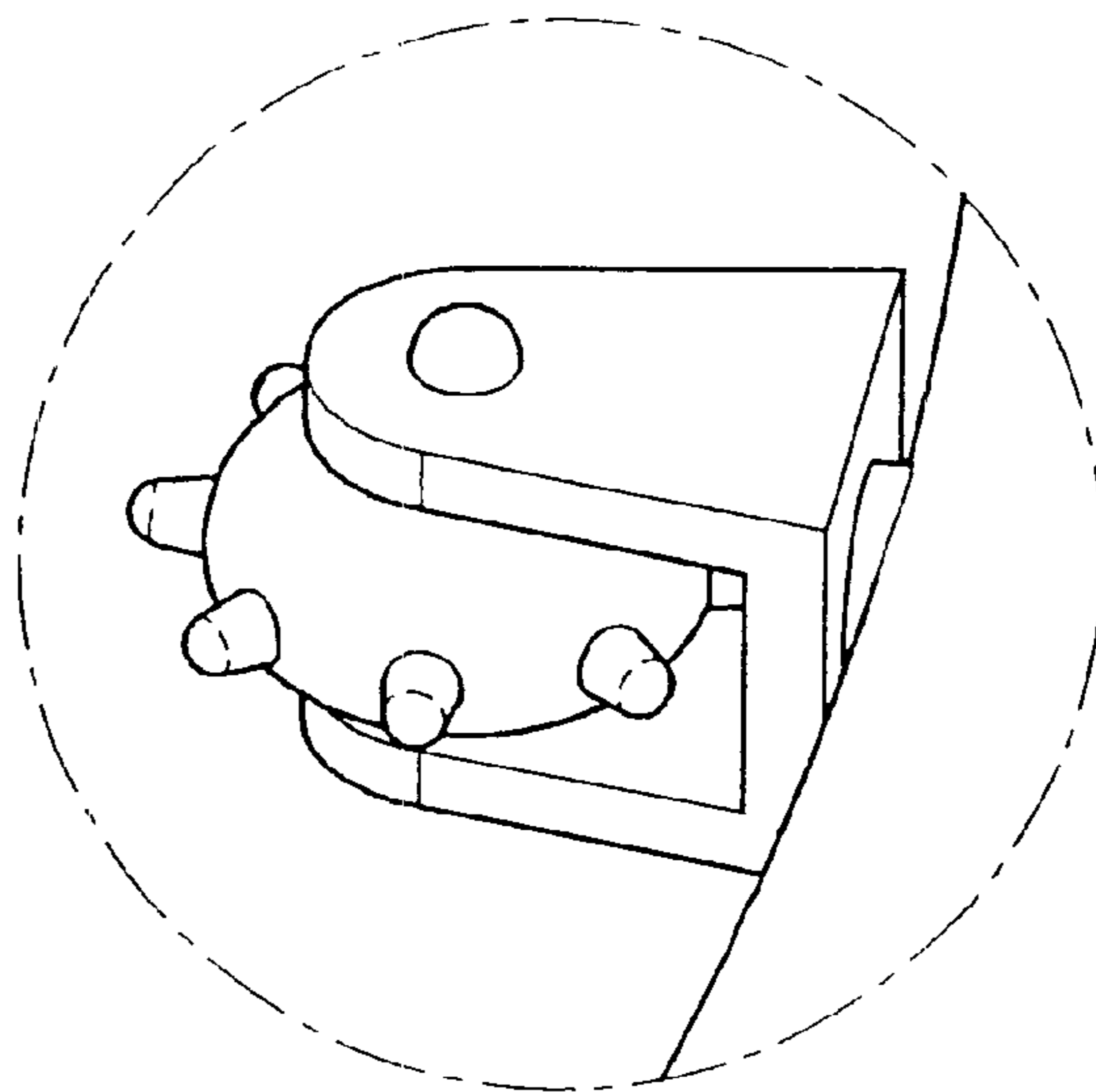
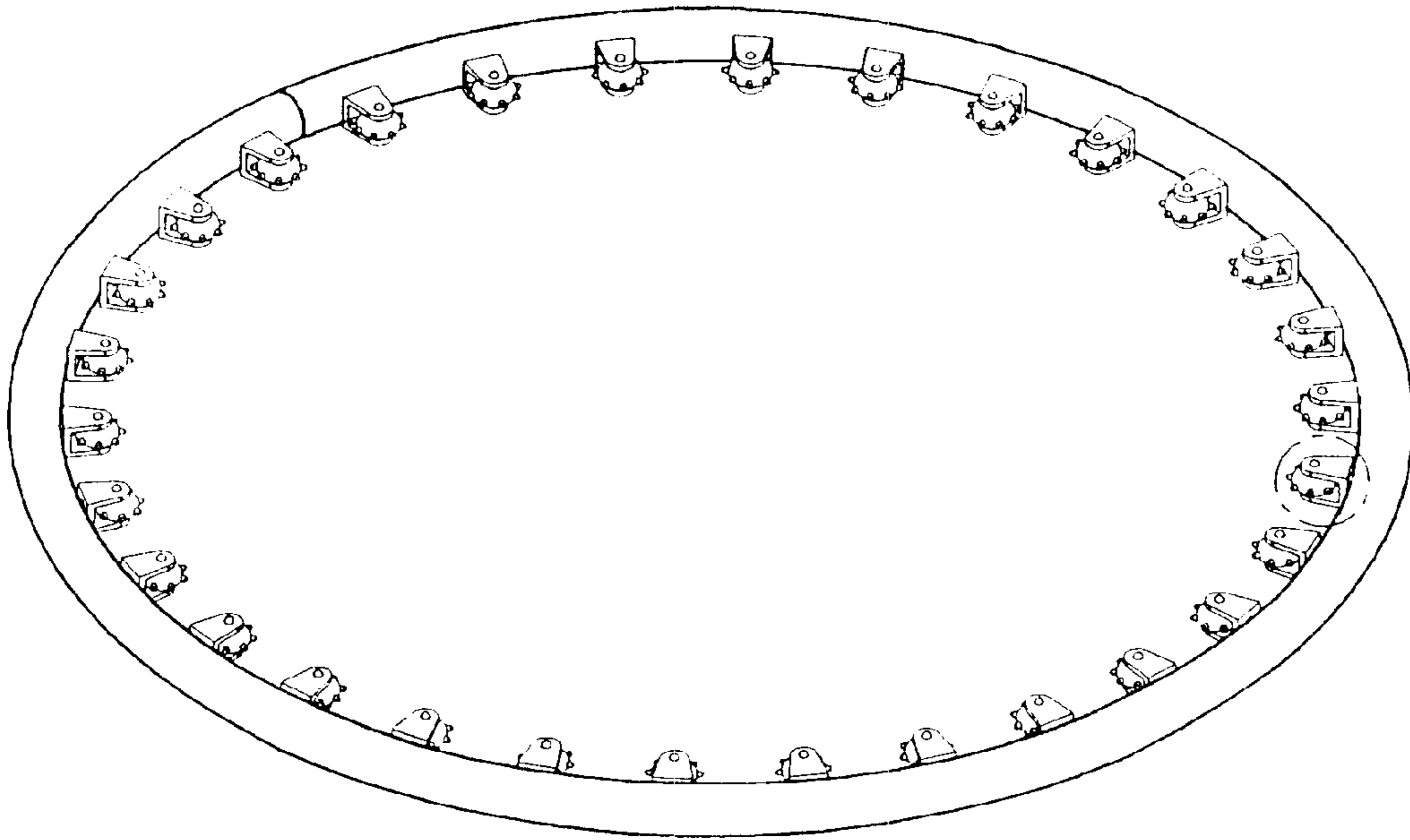


Figure 1A

Figure 2

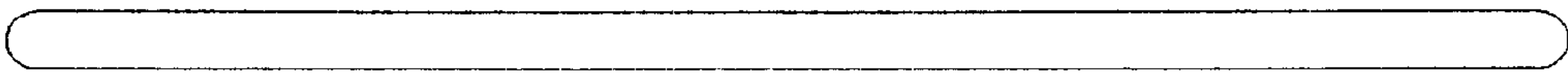


Figure 3



Figure 4



Figure 5

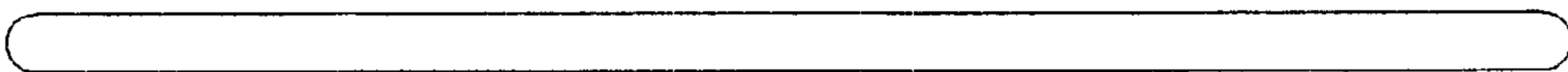


Figure 6

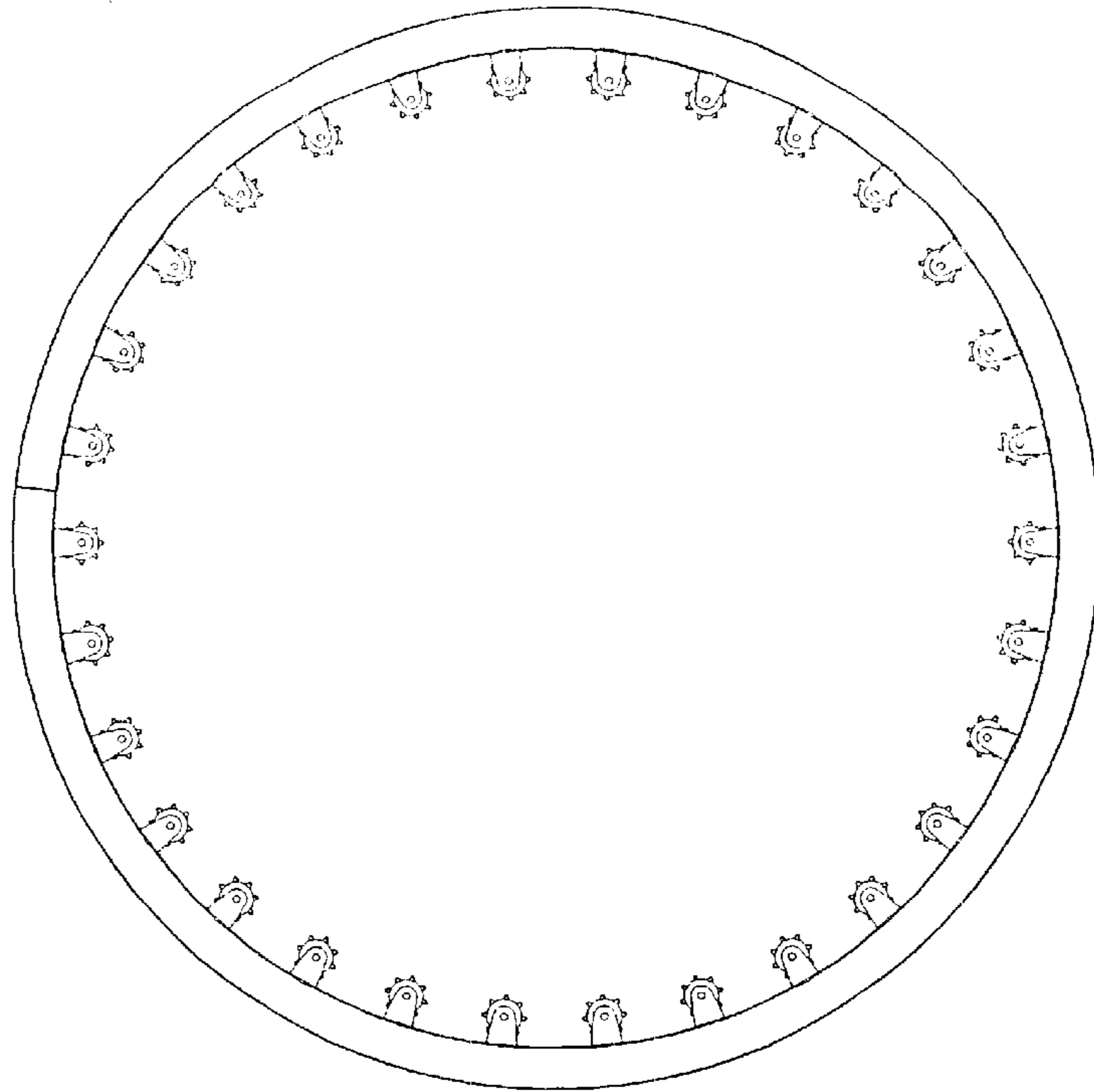


Figure 7

