



US00D458648S

(12) **United States Design Patent**
Chiappetta et al.

(10) **Patent No.:** **US D458,648 S**

(45) **Date of Patent:** **** Jun. 11, 2002**

(54) **CHILDREN'S WAGON**

(75) Inventors: **Gary Chiappetta**, Hinsdale; **Bryan M. Fox**; **Joel V. Koster**, both of Chicago, all of IL (US)

(73) Assignee: **Radio Flyer, Inc.**, Chicago, IL (US)

(**) Term: **14 Years**

(21) Appl. No.: **29/138,110**

(22) Filed: **Mar. 5, 2001**

(51) **LOC (7) Cl.** **21-01**

(52) **U.S. Cl.** **D21/425**

(58) **Field of Search** D21/419, 424-427, D21/534, 536; D12/128, 129; 446/440, 451, 465; 280/87.01, 87.021, 87.041, 87.051, 87.043, 773, 776, 47.36, 47.38, 47.371, 47.35

(56) **References Cited**

U.S. PATENT DOCUMENTS

4,300,783 A * 11/1981 Fisher 280/87.021
D369,629 S * 5/1996 Pasin et al. D21/425

D372,942 S * 8/1996 Fish, Jr. D21/425

D382,309 S * 8/1997 Brown et al. D21/425

D403,026 S * 12/1998 Pasin D21/425

6,318,740 B1 * 11/2001 Nappo 280/47.35

* cited by examiner

Primary Examiner—Raphael Barkai

(74) *Attorney, Agent, or Firm*—Piper Marbury Rudnick & Wolfe

(57) **CLAIM**

The ornamental design for a childrens' wagon, as shown.

DESCRIPTION

FIG. 1 is a right front perspective view of the childrens' wagon;

FIG. 2 is a left rear perspective view thereof;

FIG. 3 is a left bottom perspective view thereof;

FIG. 4 is a top plan view thereof;

FIG. 5 is a bottom plan view thereof;

FIG. 6 is a front elevational view thereof;

FIG. 7 is a right side elevational view thereof, the opposite side of which is an identical mirror image thereof; and,

FIG. 8 is a rear elevational view thereof.

1 Claim, 5 Drawing Sheets

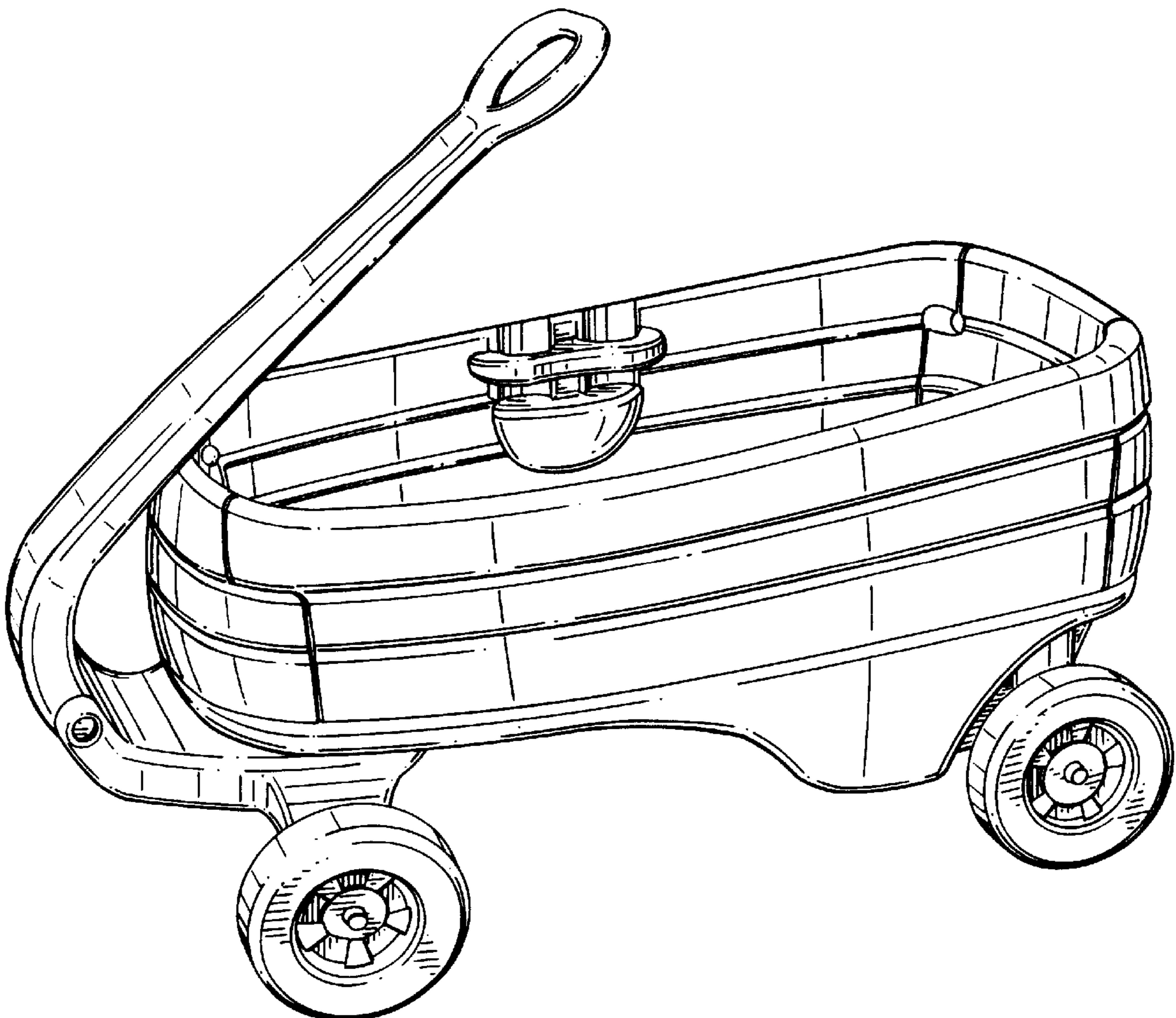


FIG. 1

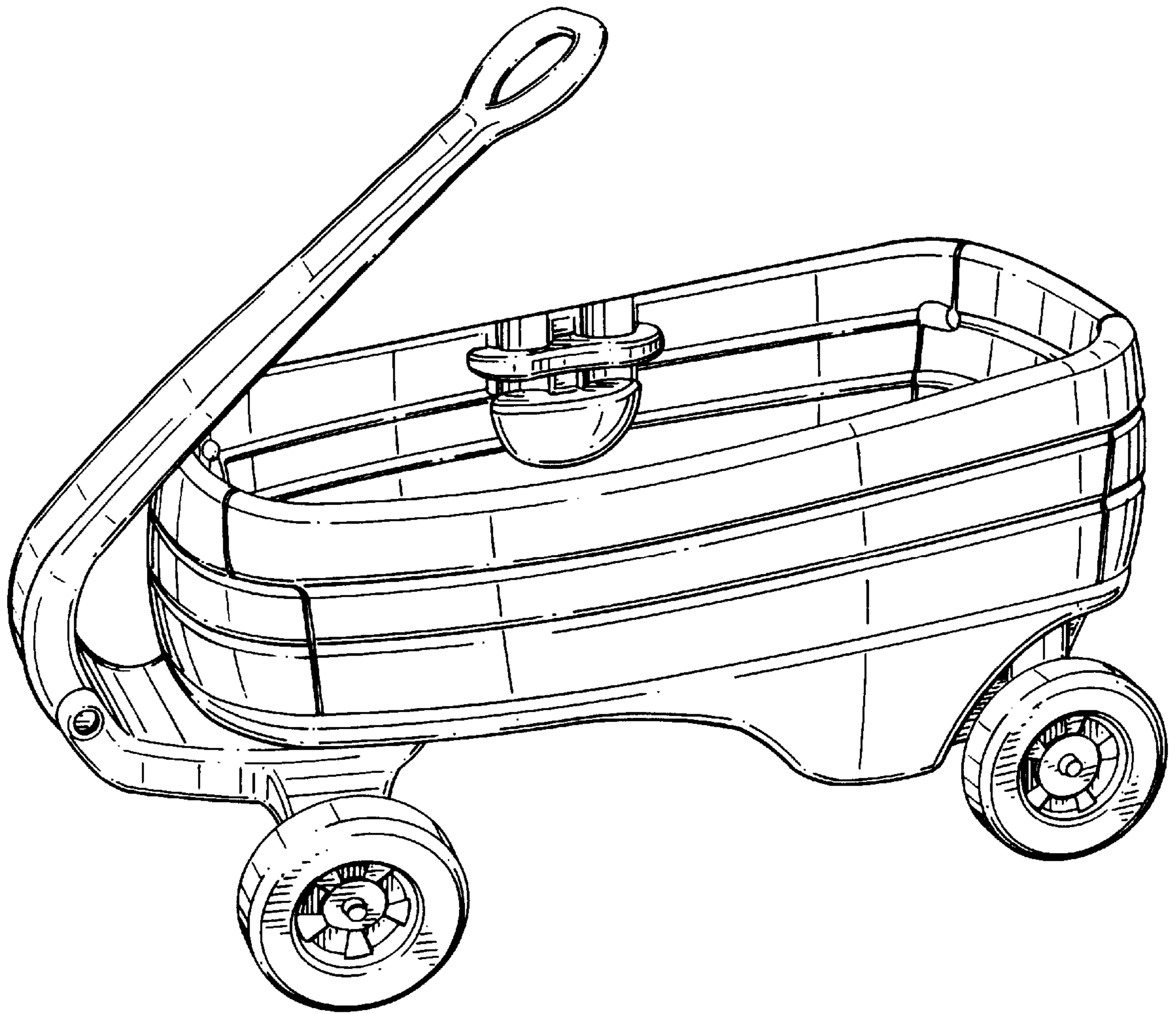


FIG. 2

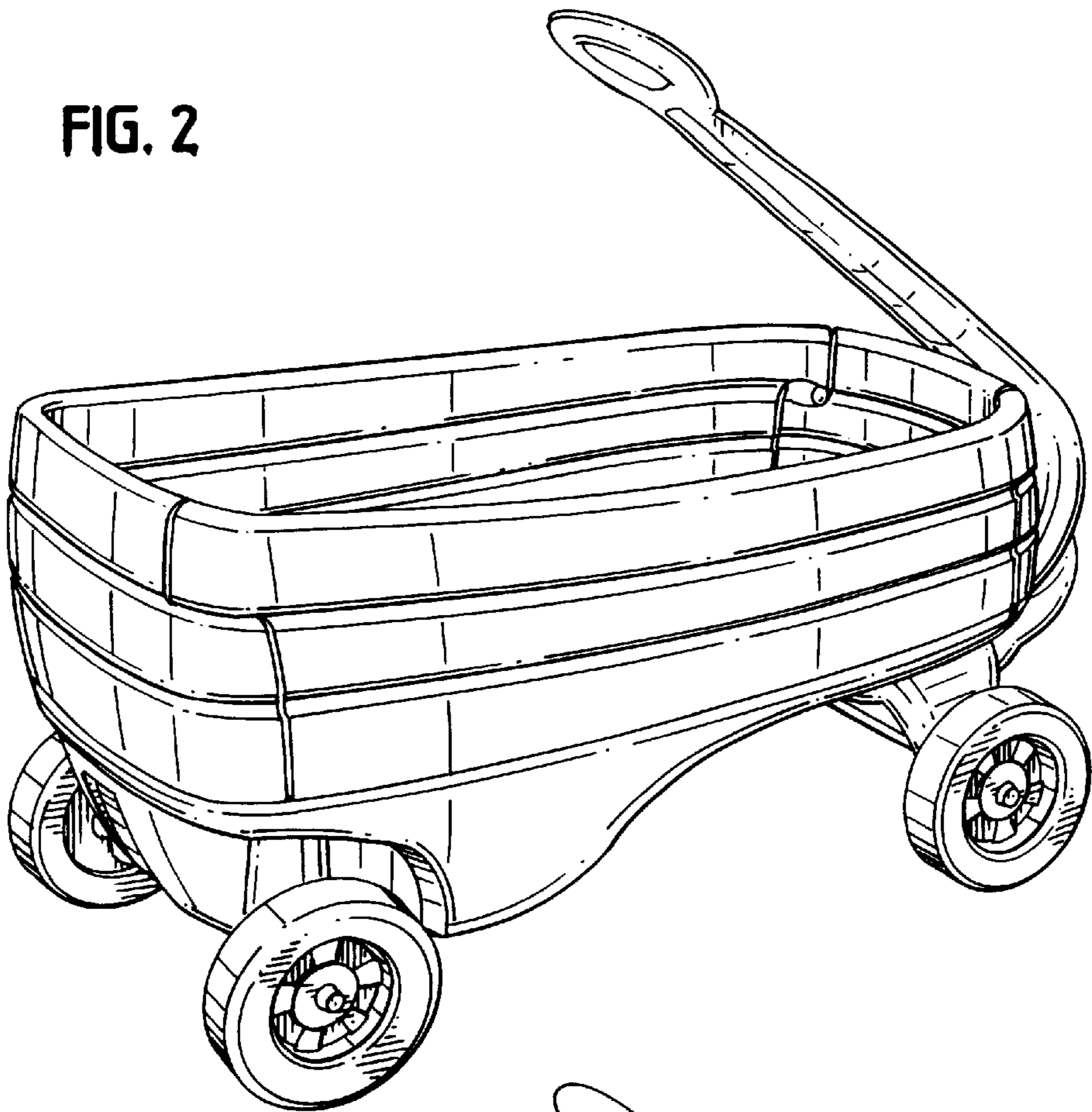


FIG. 3

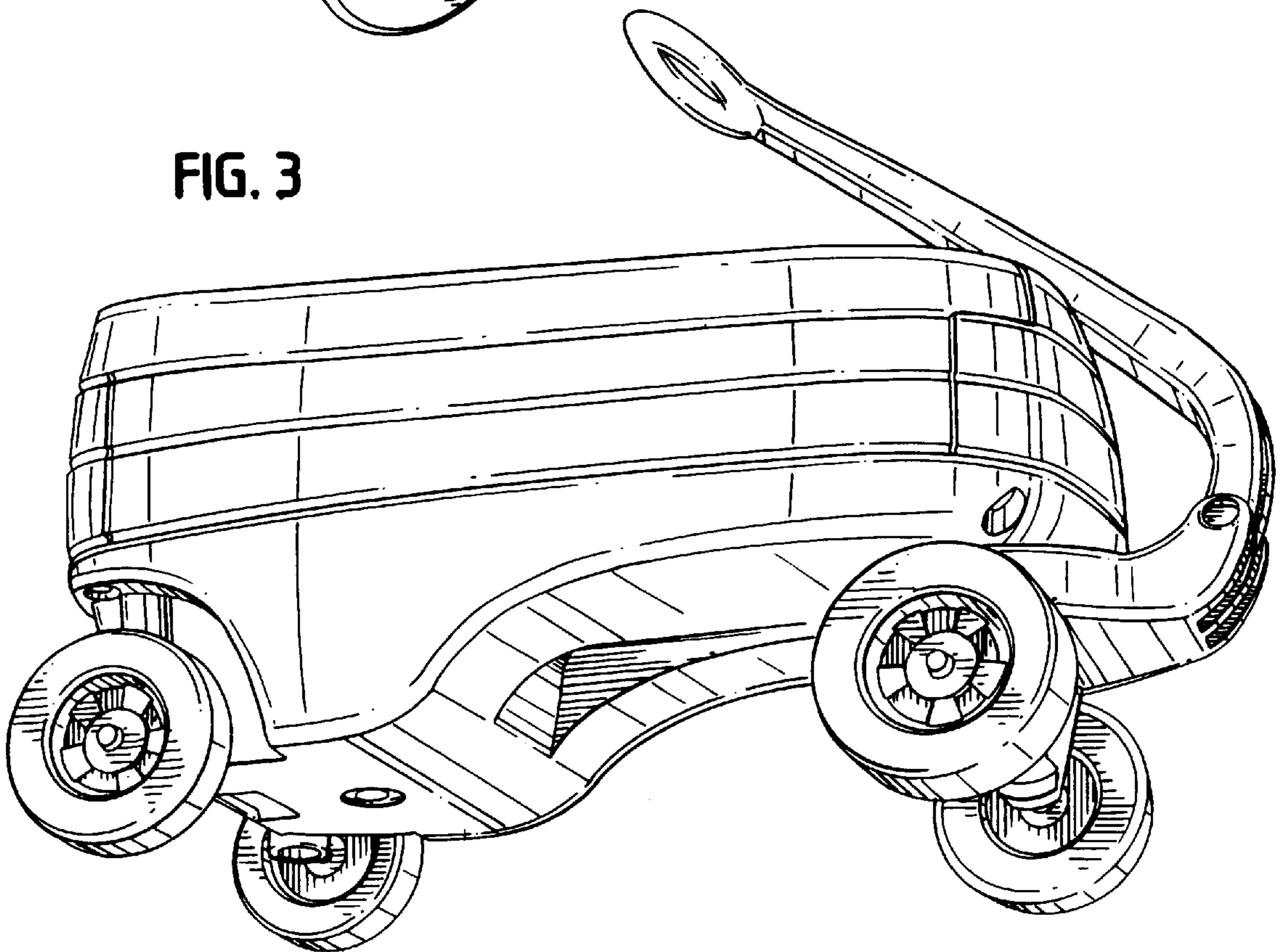


FIG. 4

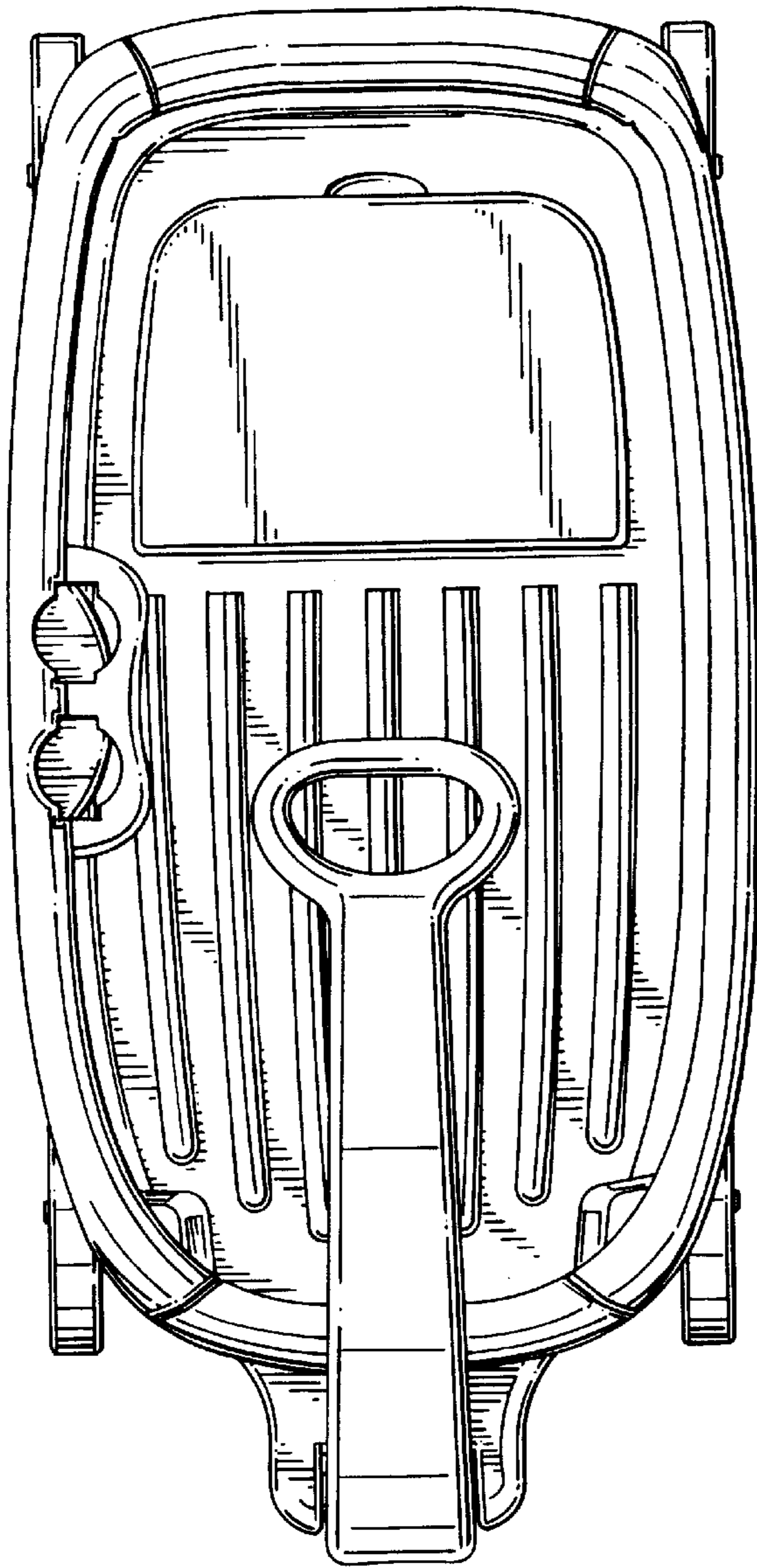


FIG. 5

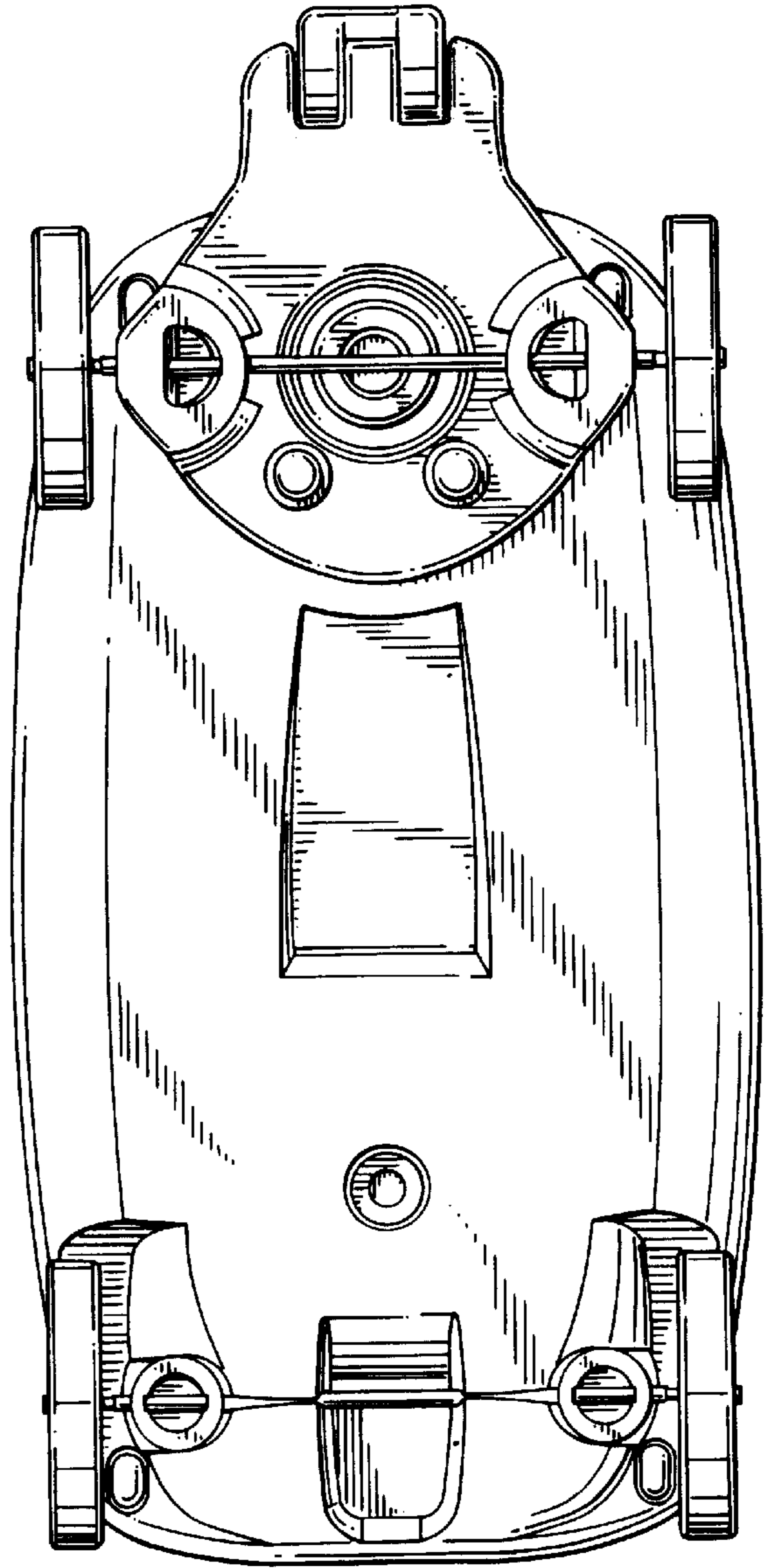


FIG. 6

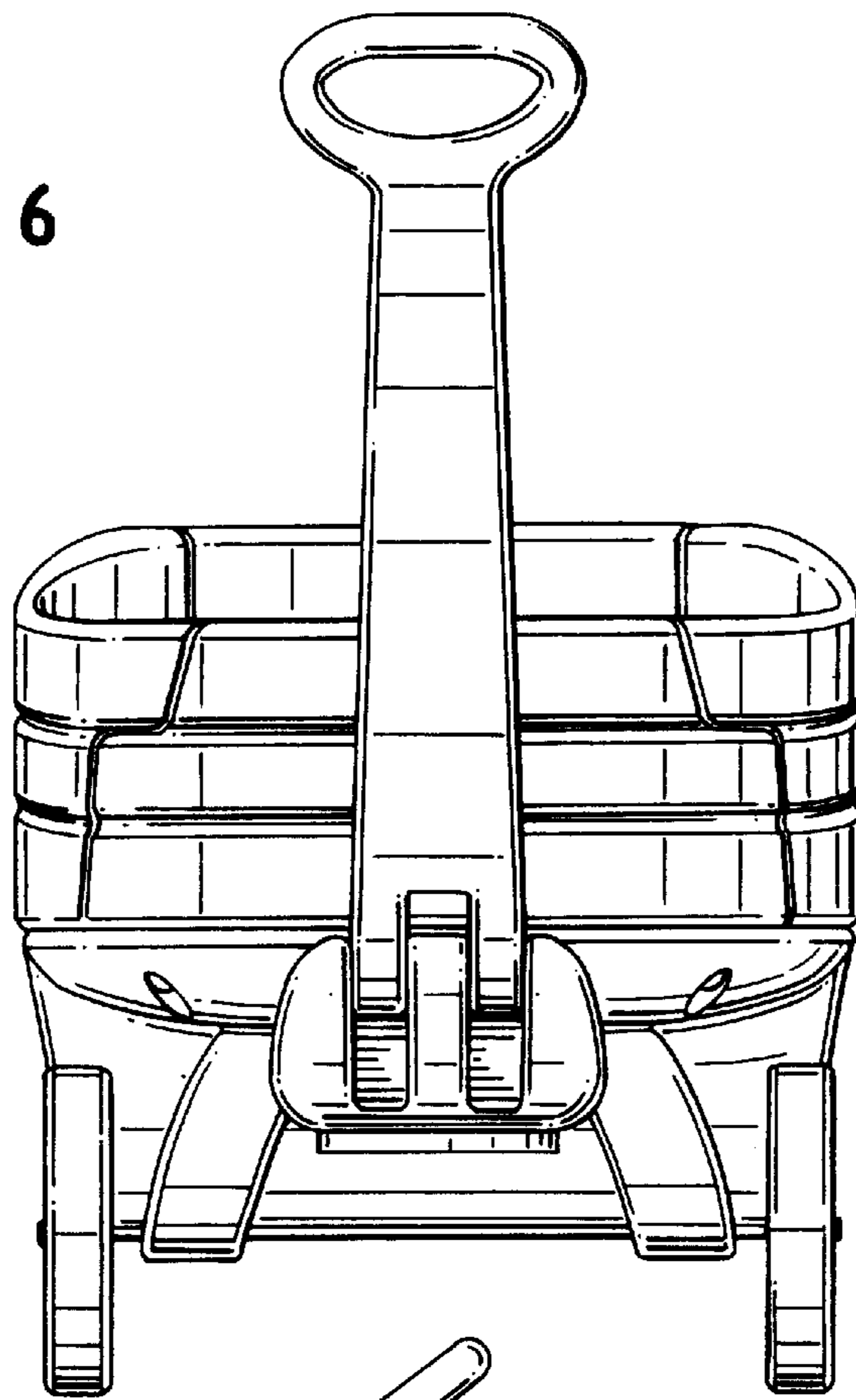


FIG. 7

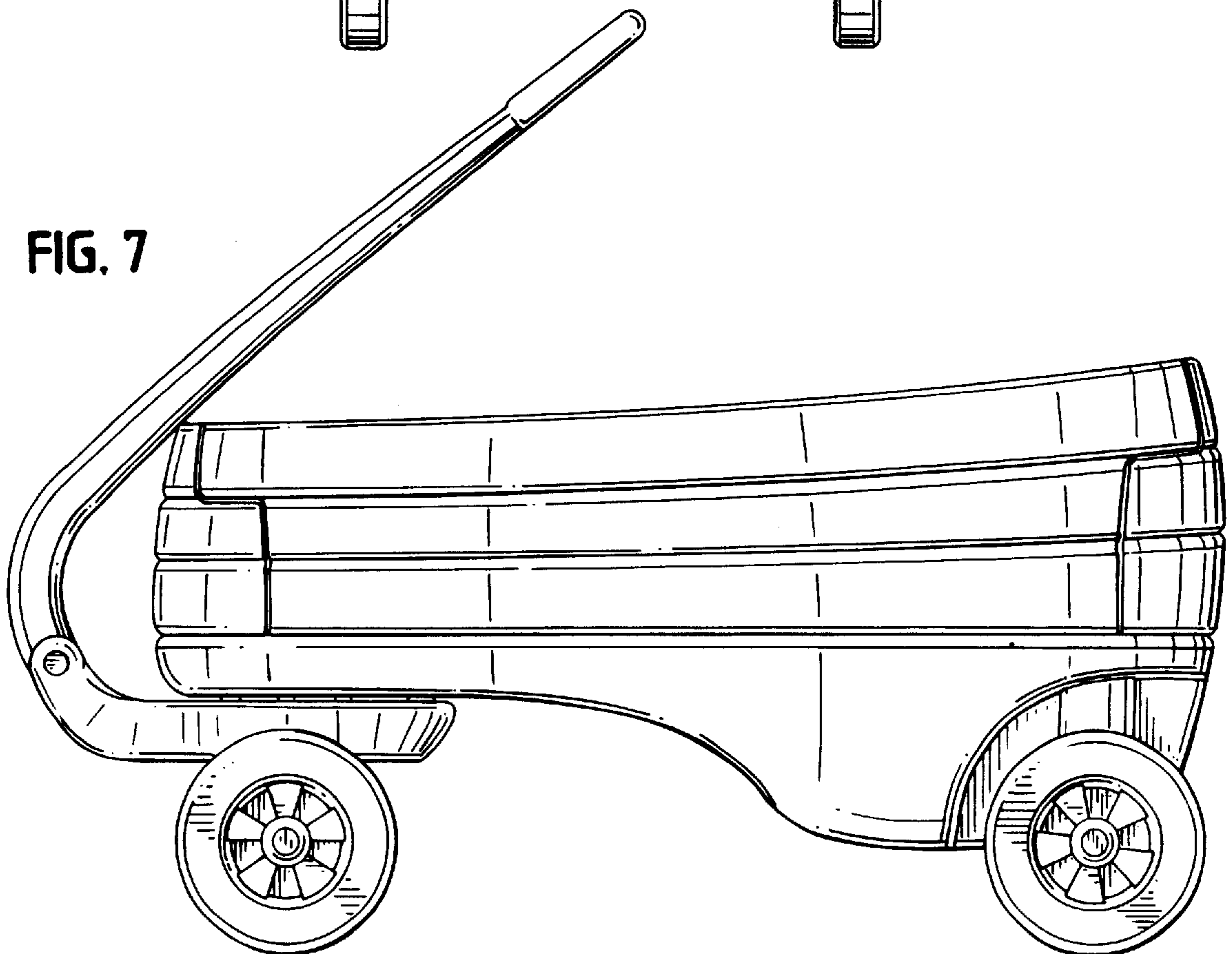


FIG. 8

