



US00D458644S

(12) **United States Design Patent**
Yu

(10) **Patent No.:** **US D458,644 S**
(45) **Date of Patent:** **** Jun. 11, 2002**

(54) **PROTECTIVE COVER WITH LIGHT FOR
HANDHELD ELECTRONIC GAME**

(75) Inventor: **Man-Chiu Yu, Kowloon (CN)**

(73) Assignee: **Storm Electronics Company Limited,
Kowloon (CN)**

(**) Term: **14 Years**

(21) Appl. No.: **29/142,266**

(22) Filed: **May 22, 2001**

(51) **LOC (7) Cl.** **21-01**

(52) **U.S. Cl.** **D21/333**

(58) **Field of Search** D21/324, 329,
D21/336, 333, 385; 273/148 B, 148 A;
463/1, 29-35, 46, 47, 48; D26/51, 52, 72,
24; 362/26, 86, 135, 257, 362, 365, 109,
101; D14/496, 125

(56) **References Cited**

U.S. PATENT DOCUMENTS

4,312,507 A * 1/1982 Smith et al. 273/237
4,589,659 A * 5/1986 Yokoi et al. 463/34
4,893,222 A * 1/1990 Mintzer 362/109

5,188,448 A * 2/1993 Siriani et al. 362/109
5,325,280 A * 6/1994 Tortola et al. 273/146 B X
D416,948 S * 11/1999 Soga D21/333
D426,860 S * 6/2000 Ho D21/333
D435,871 S * 1/2001 Yu D21/333
D439,353 S * 3/2001 Neiser D21/333
D448,426 S * 9/2001 Yu D21/333

* cited by examiner

Primary Examiner—Prabhakar Deshmukh

(74) *Attorney, Agent, or Firm*—Alix, Yale & Ristas, LLP

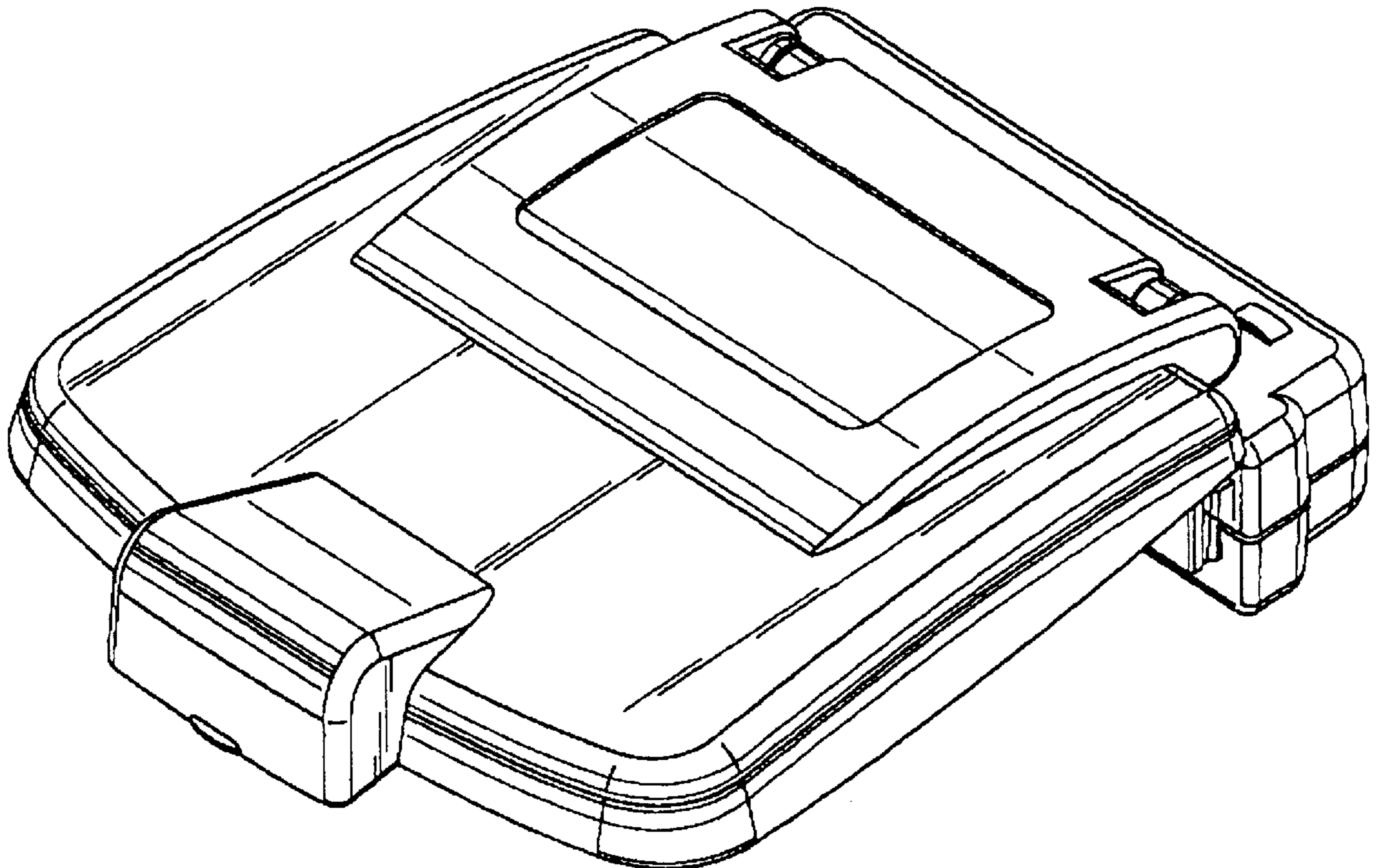
(57) **CLAIM**

The ornamental design for a protective cover with light for handheld electronic game, as shown and described.

DESCRIPTION

FIG. 1 is a perspective view of a protective cover with light for handheld electronic game showing my new design;
FIG. 2 is a top plan view thereof;
FIG. 3 is a rear elevational view thereof;
FIG. 4 is a left side elevational view thereof;
FIG. 5 is a right side elevational view thereof;
FIG. 6 is a bottom plan view thereof; and,
FIG. 7 is a front elevational view thereof.

1 Claim, 4 Drawing Sheets



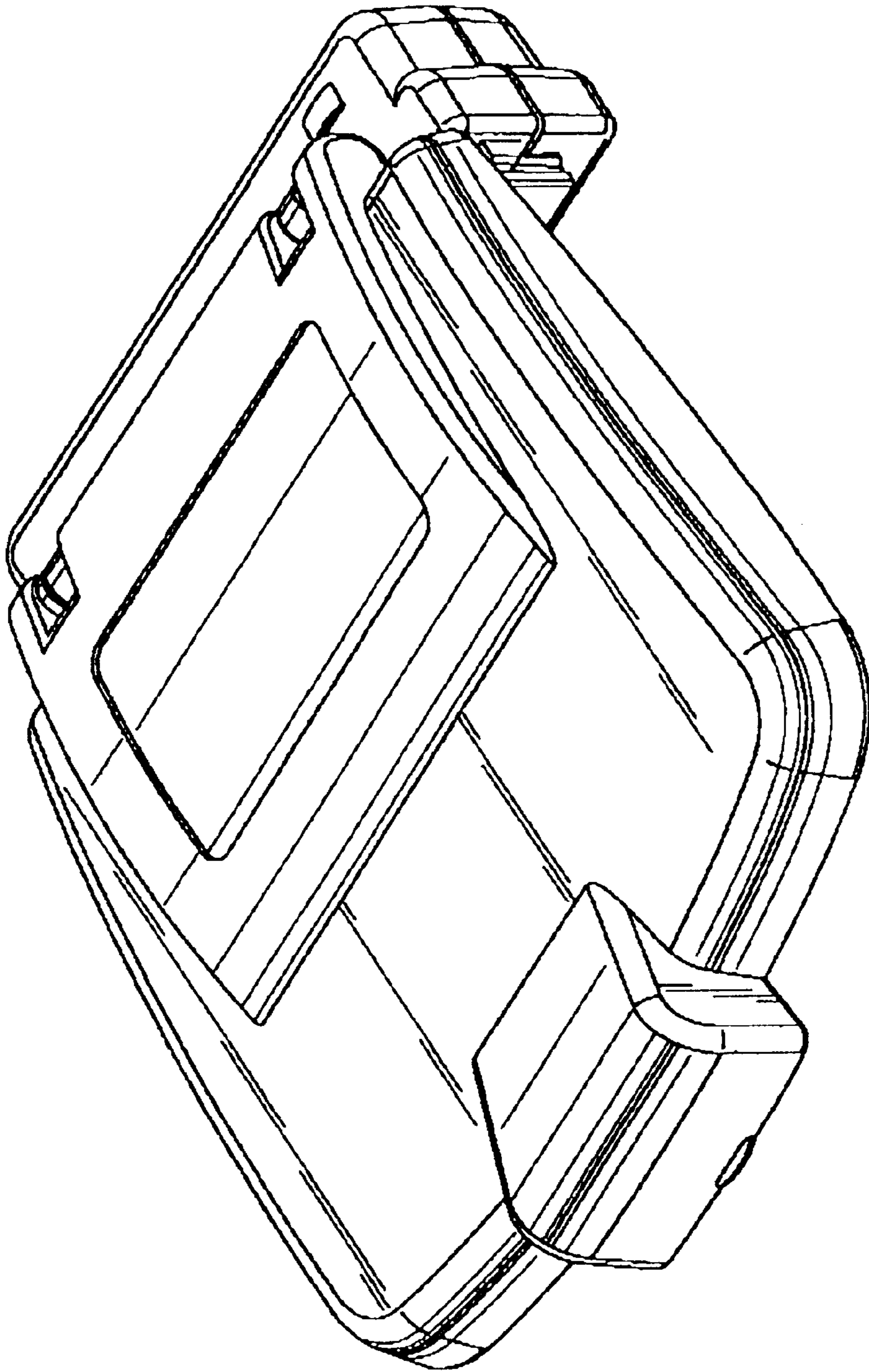


FIG. 1

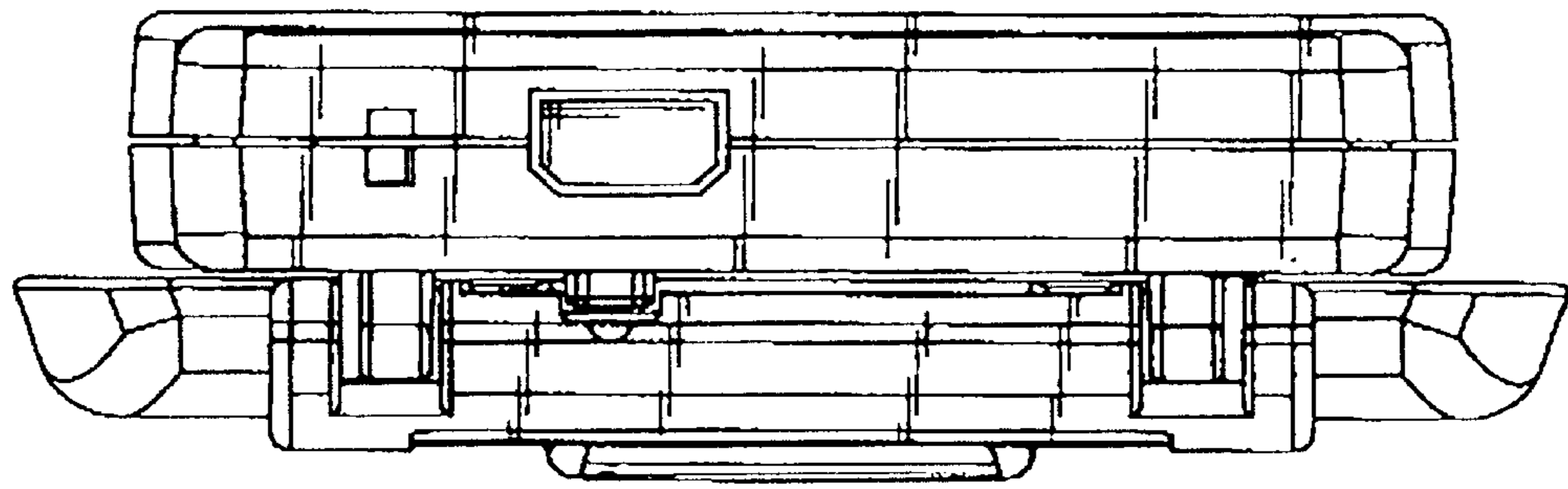


FIG. 3

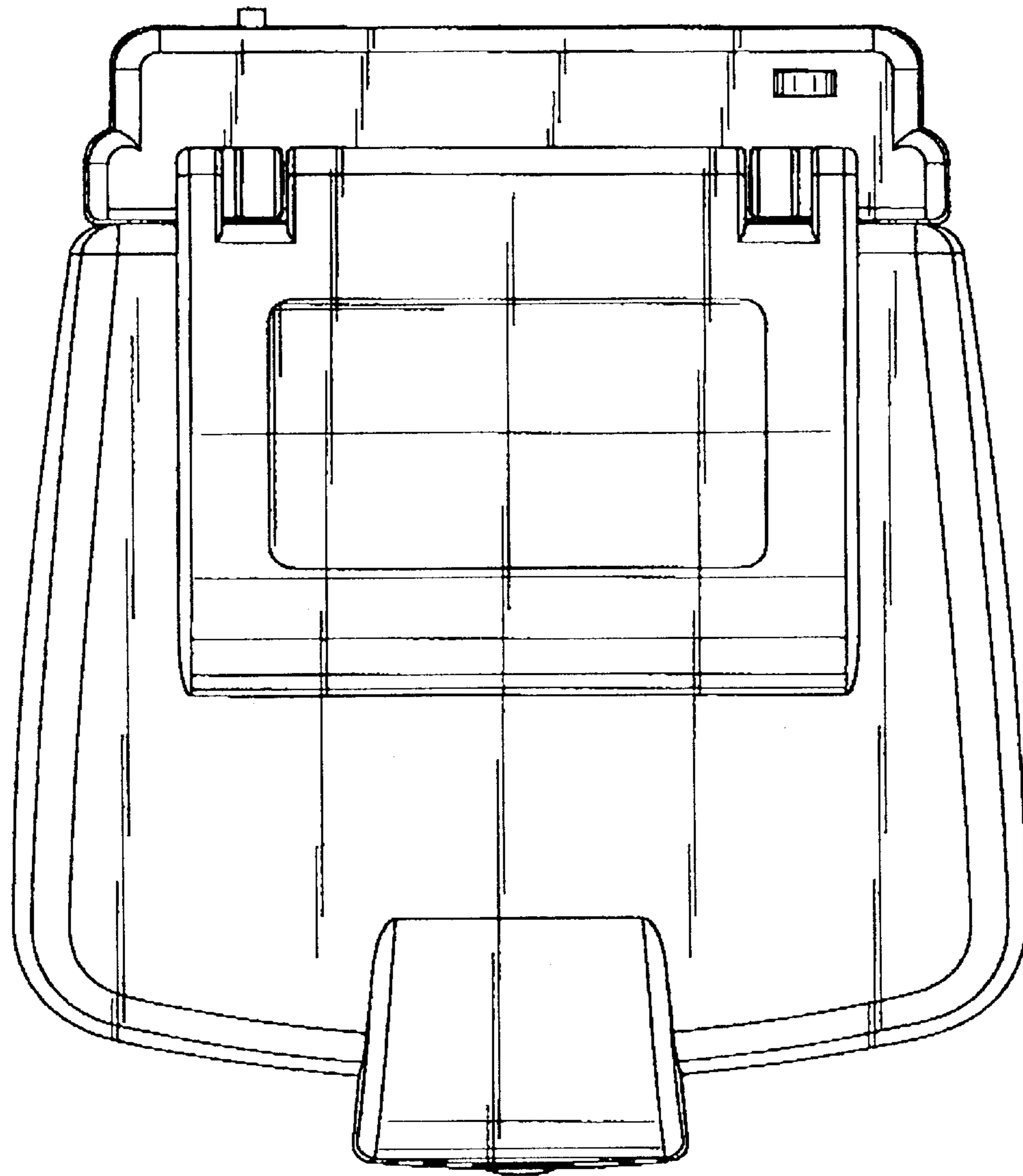


FIG. 2

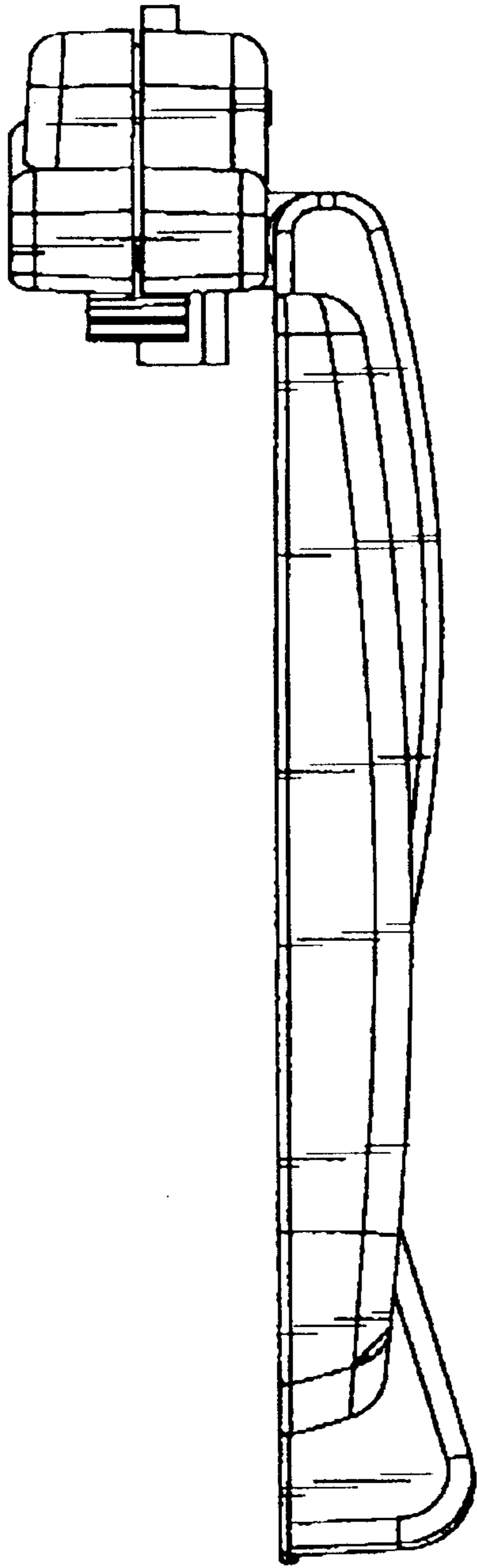


FIG. 4

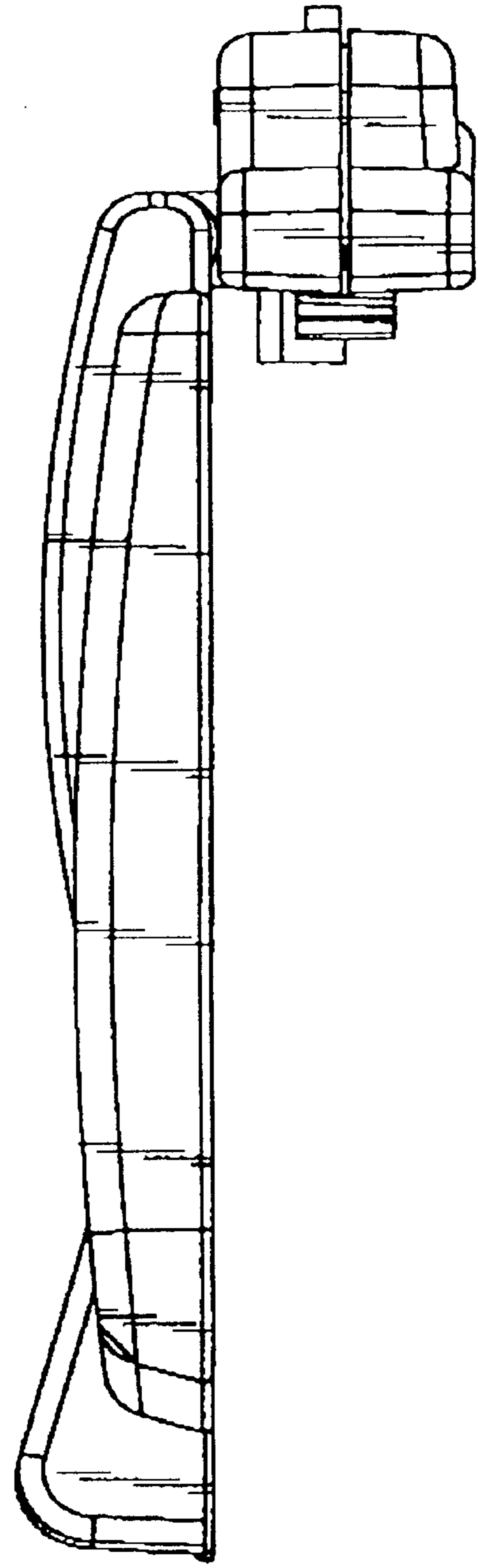


FIG. 5

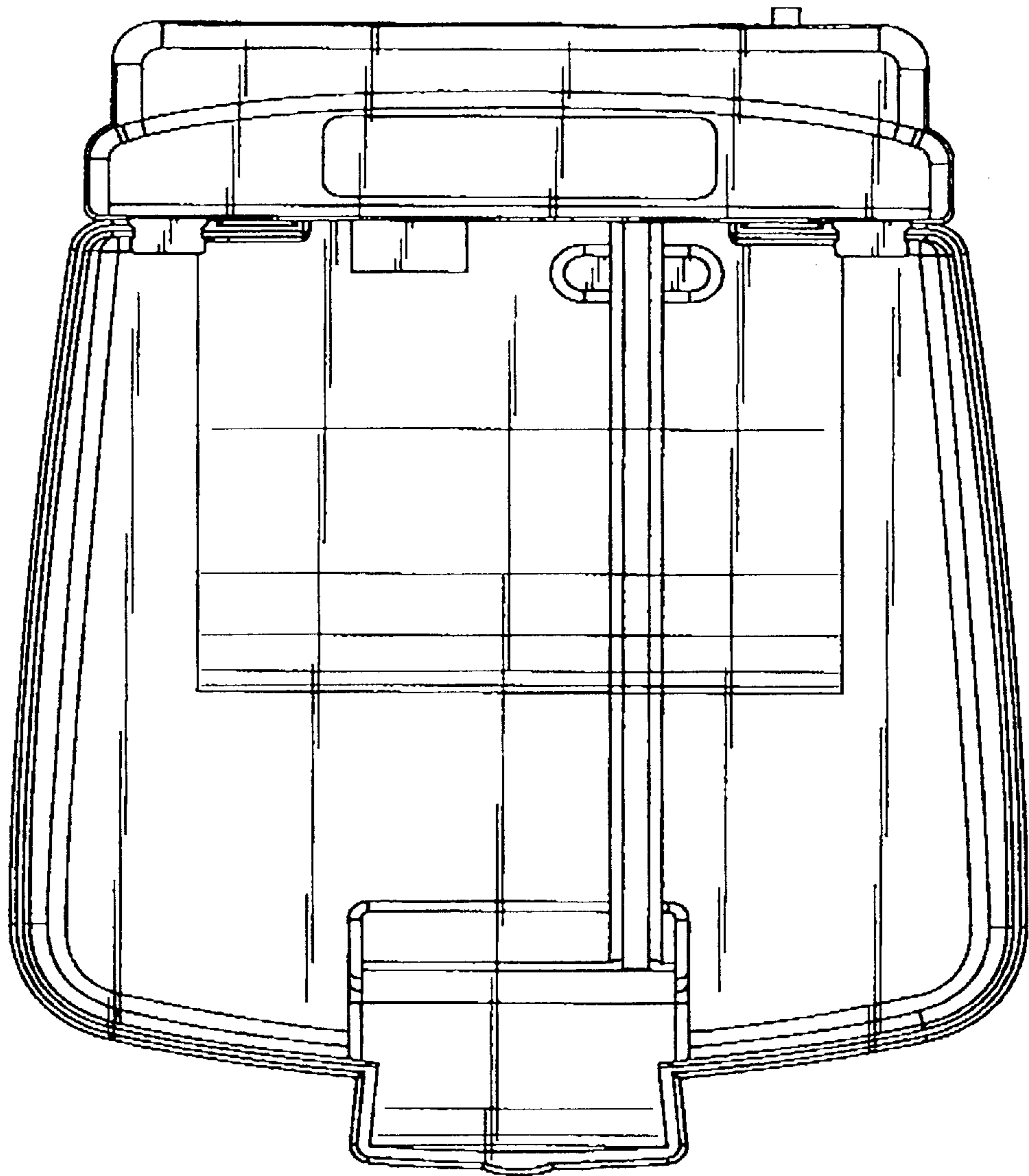


FIG. 6

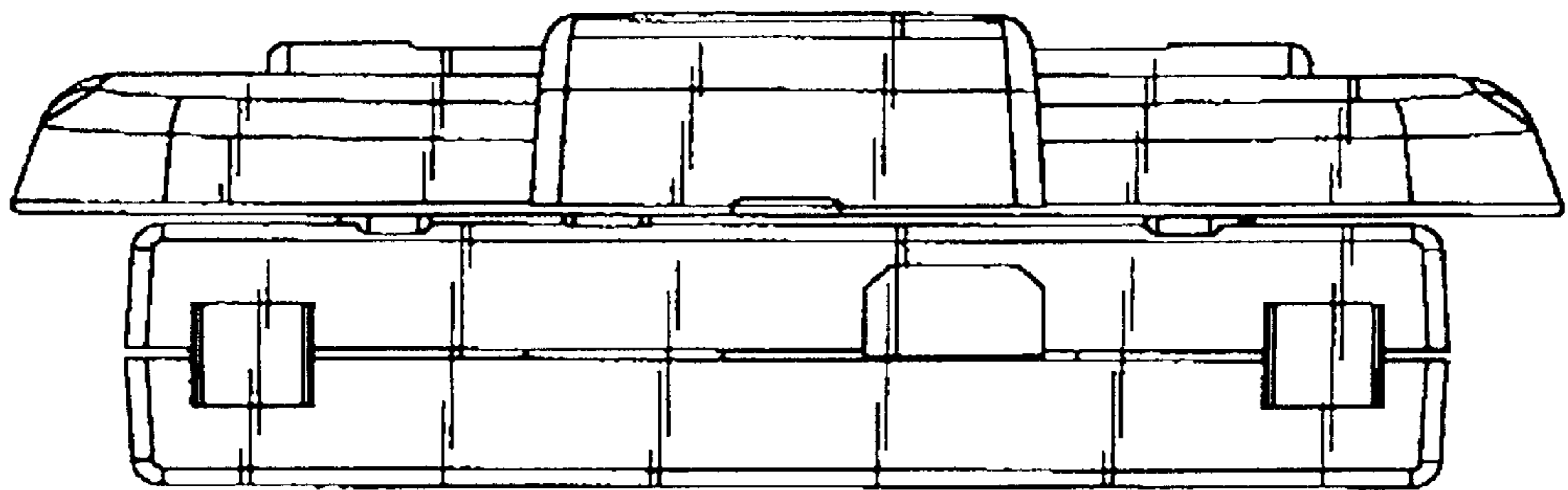


FIG. 7