



US00D458640S

(12) **United States Design Patent**
Hofman

(10) **Patent No.:** **US D458,640 S**

(45) **Date of Patent:** **** Jun. 11, 2002**

(54) **WALL FILE**

(75) Inventor: **James A. Hofman**, Stoughton, WI (US)

(73) Assignee: **Berol Corporation**, Freeport, IL (US)

(**) Term: **14 Years**

(21) Appl. No.: **29/147,887**

(22) Filed: **Sep. 7, 2001**

(51) **LOC (7) Cl.** **19-02**

(52) **U.S. Cl.** **D19/90; D19/75; D6/566; D6/570**

(58) **Field of Search** **D3/306; D19/65, D19/75, 78, 86, 90, 91, 99, 100; D6/566, 567, 570, 569, 512, 553; 211/10, 11, 13.1, 45, 50, 52, 55, 87.01, 90.03, 126.9, 126.13, 88.01; 220/456**

(56) **References Cited**

U.S. PATENT DOCUMENTS

1,331,682	A	*	2/1920	Smith	211/55	X
1,738,821	A	*	12/1929	Gibson	211/88.01	
4,955,488	A	*	9/1990	Nicoll	211/88.01	
5,016,760	A	*	5/1991	Mayo	211/55	
D322,378	S	*	12/1991	Colman	D6/566	
D332,971	S	*	2/1993	Evenson	D19/90	
5,344,030	A	*	9/1994	Evenson	211/55	
D363,950	S	*	11/1995	Brüssing	D19/90	

D365,954	S	1/1996	Milroy	D6/566
D373,040	S	8/1996	Milroy	D6/566
D419,302	S	1/2000	Hardy et al.	D3/306
D433,710	S	11/2000	Andujar	D19/75
D433,712	S	11/2000	Walsh	D19/90
D434,257	S	11/2000	Andujar	D6/525
D437,354	S	2/2001	Andujar	D19/90

* cited by examiner

Primary Examiner—Martie K. Holtje

(74) *Attorney, Agent, or Firm*—Foley & Lardner

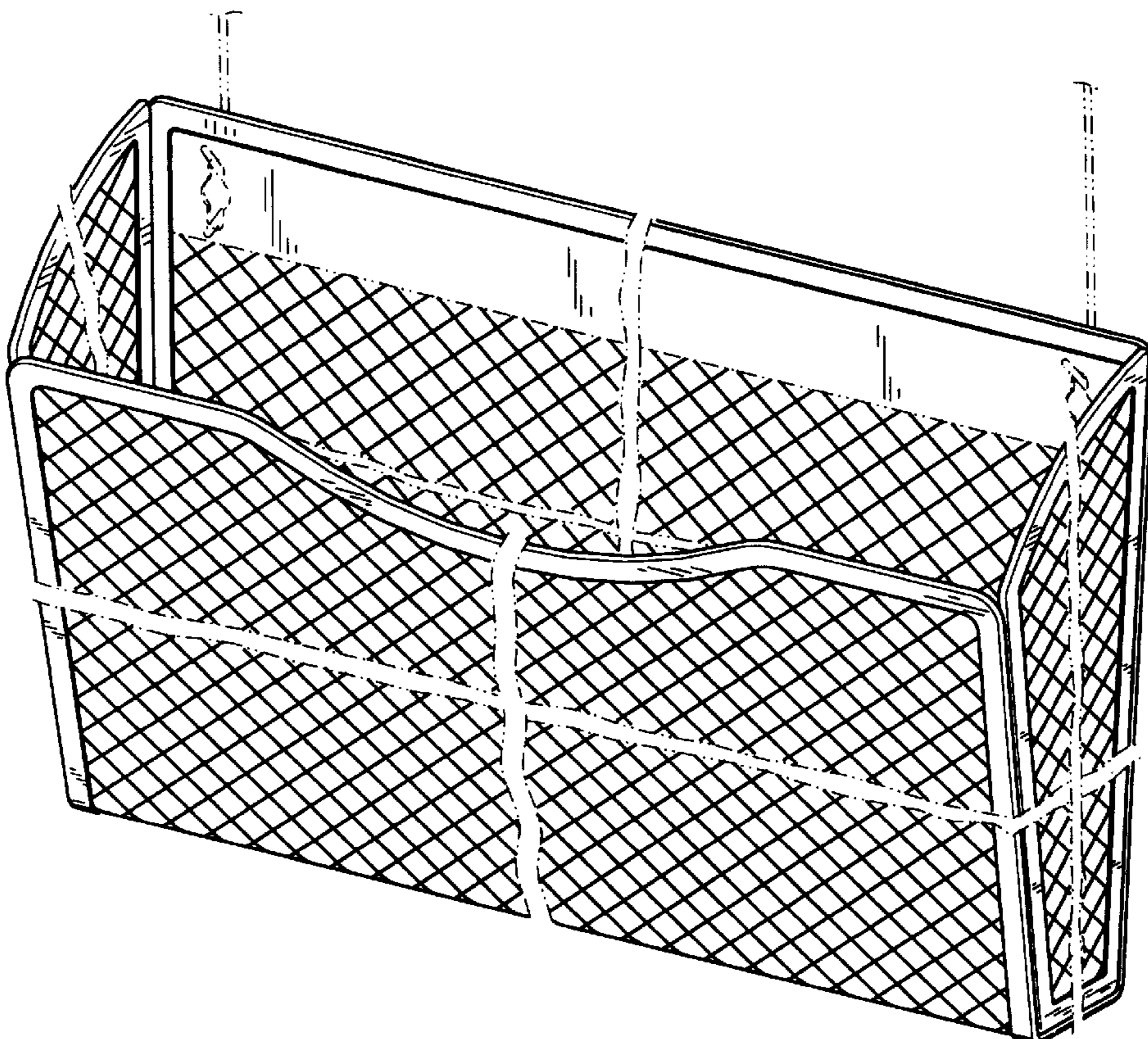
(57) **CLAIM**

I claim the ornamental design for a wall file, as shown and described.

DESCRIPTION

FIG. 1 is a perspective view of a wall file;
 FIG. 2 is a front view of the wall file shown in FIG. 1;
 FIG. 3 is a top view of the wall file shown in FIG. 1;
 FIG. 4 is a side view of the wall file shown in FIG. 1, the opposite side of the wall file being the same as that shown in FIG. 4;
 FIG. 5 is a rear view of the wall file shown in FIG. 1; and,
 FIG. 6 is a bottom view of the wall file shown in FIG. 1.
 The ornamental design which is claimed is shown in solid lines in the drawings. The broken lines in the drawings are for illustrative purposes only and form no part of the claimed design.

1 Claim, 3 Drawing Sheets



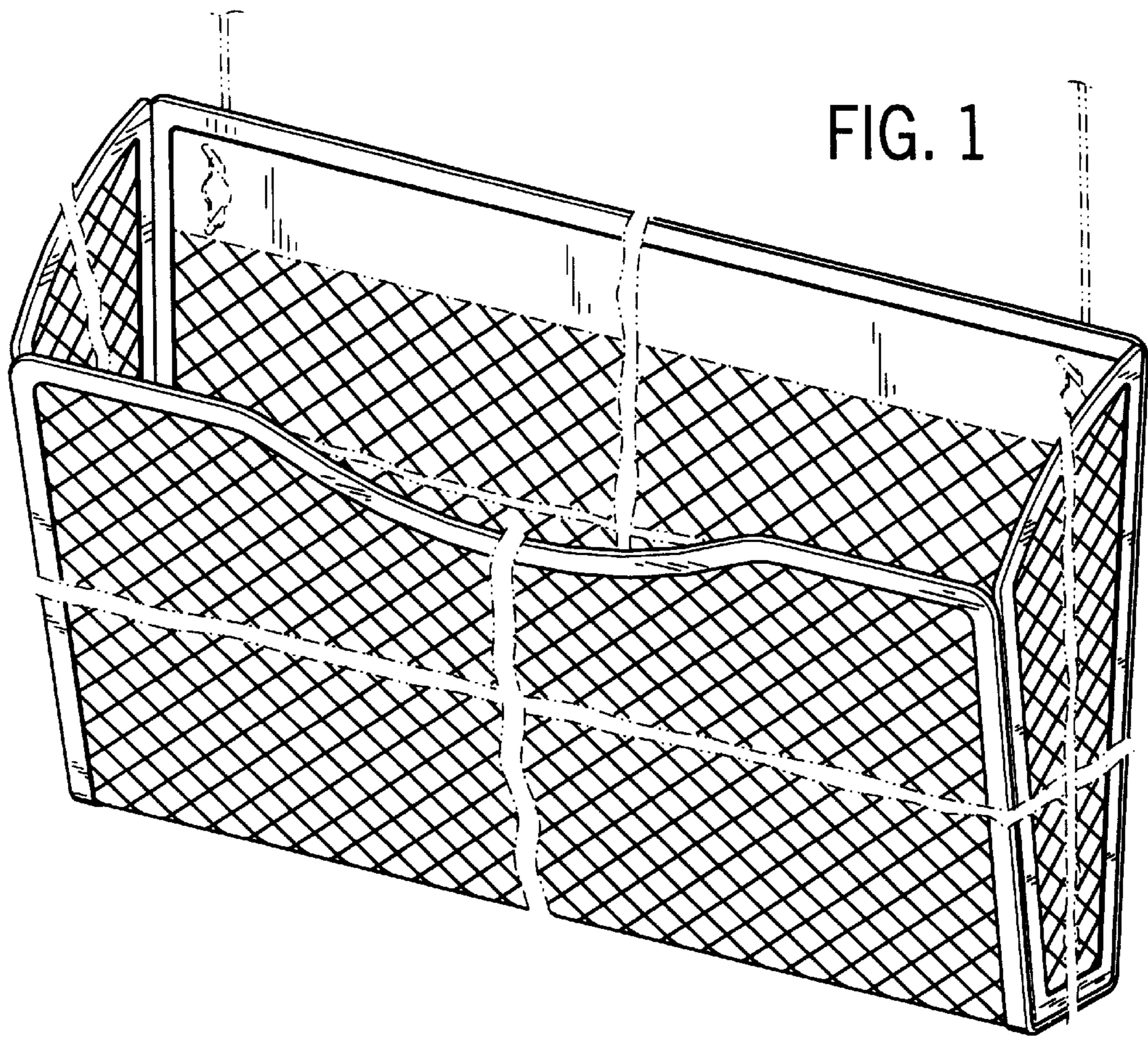


FIG. 2

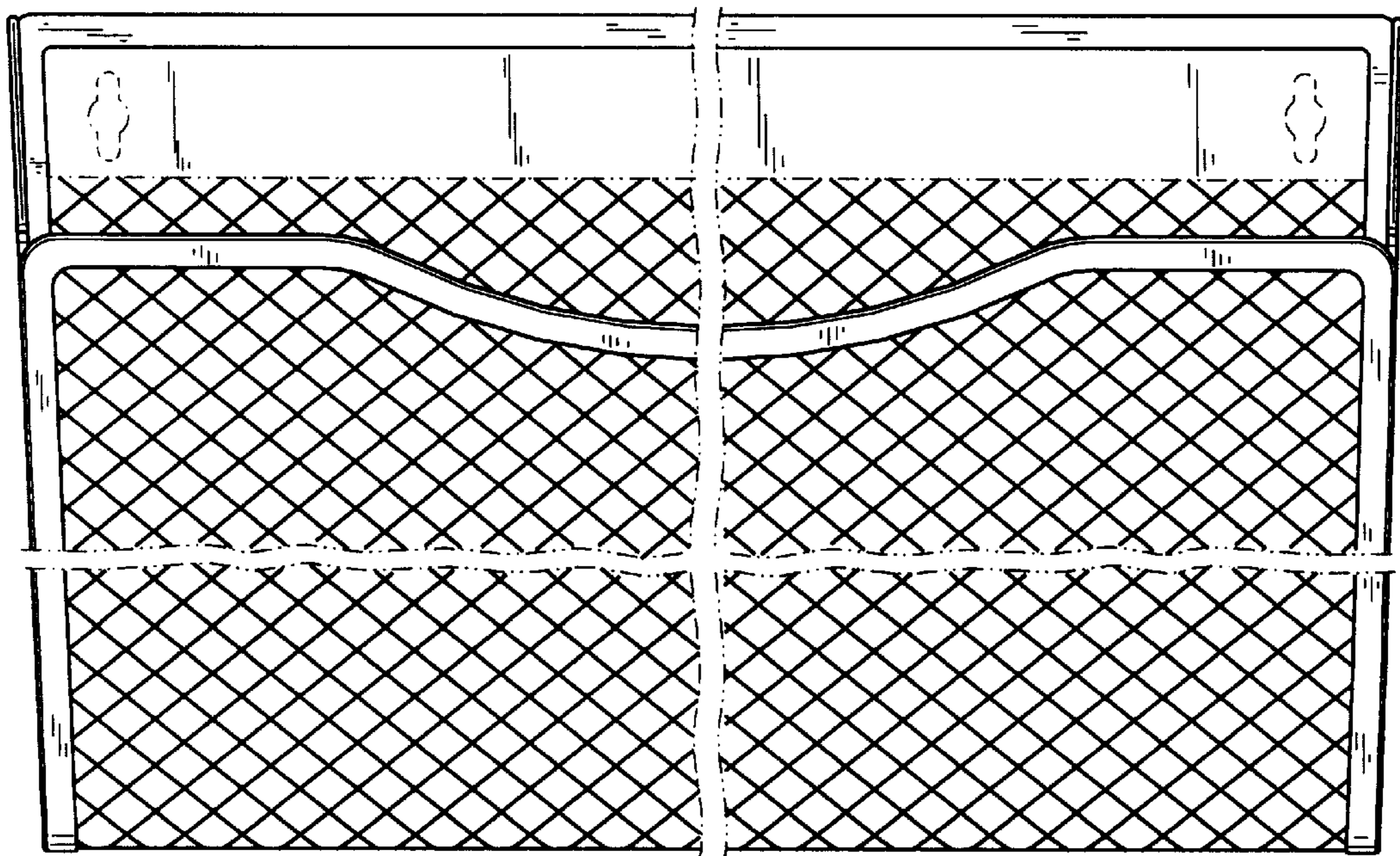


FIG. 3

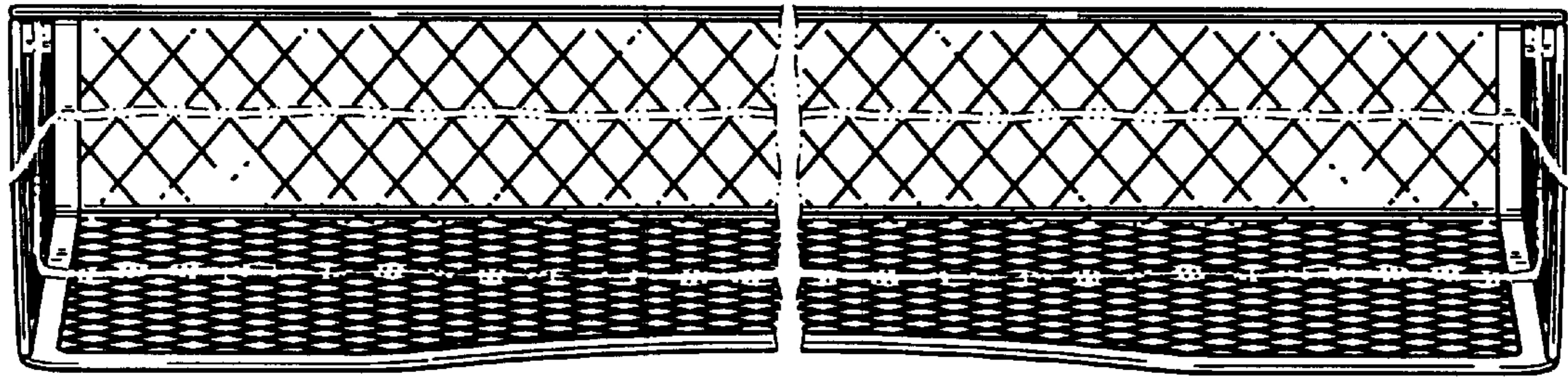


FIG. 4

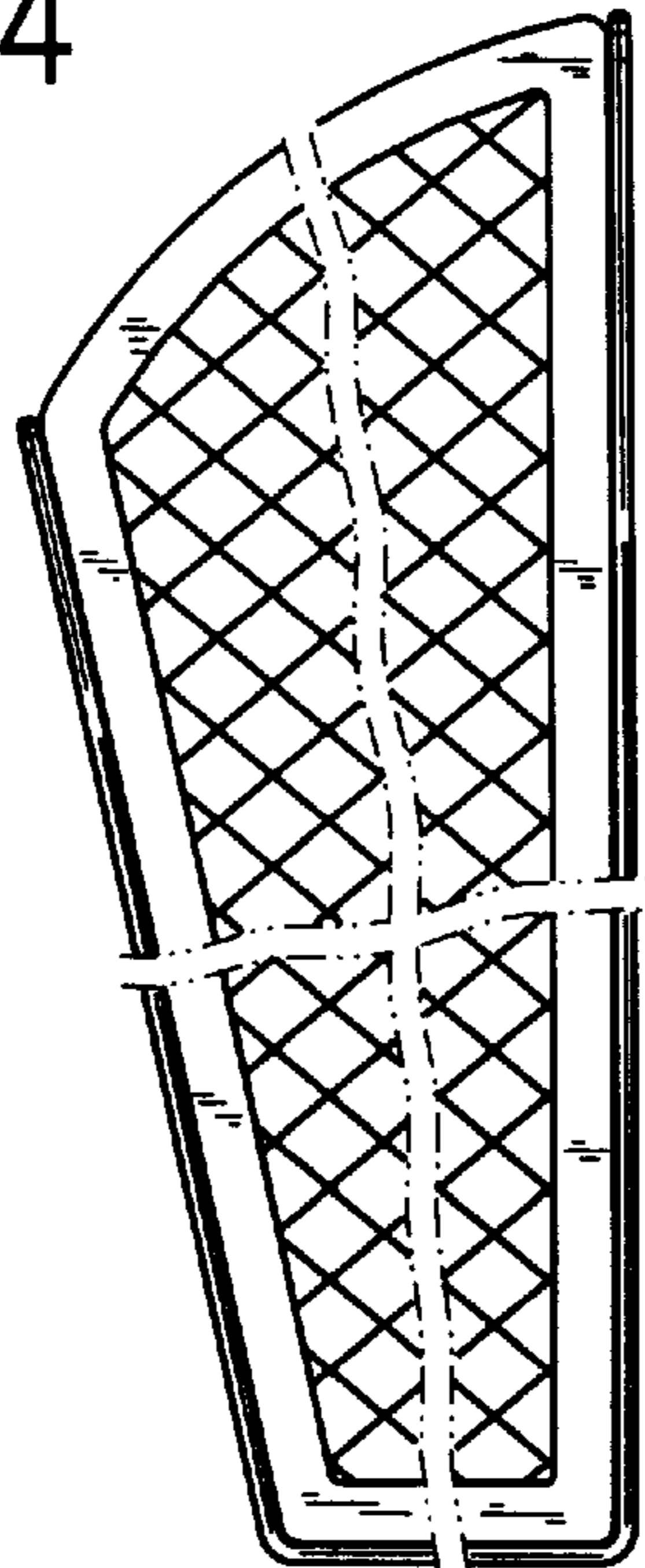


FIG. 5

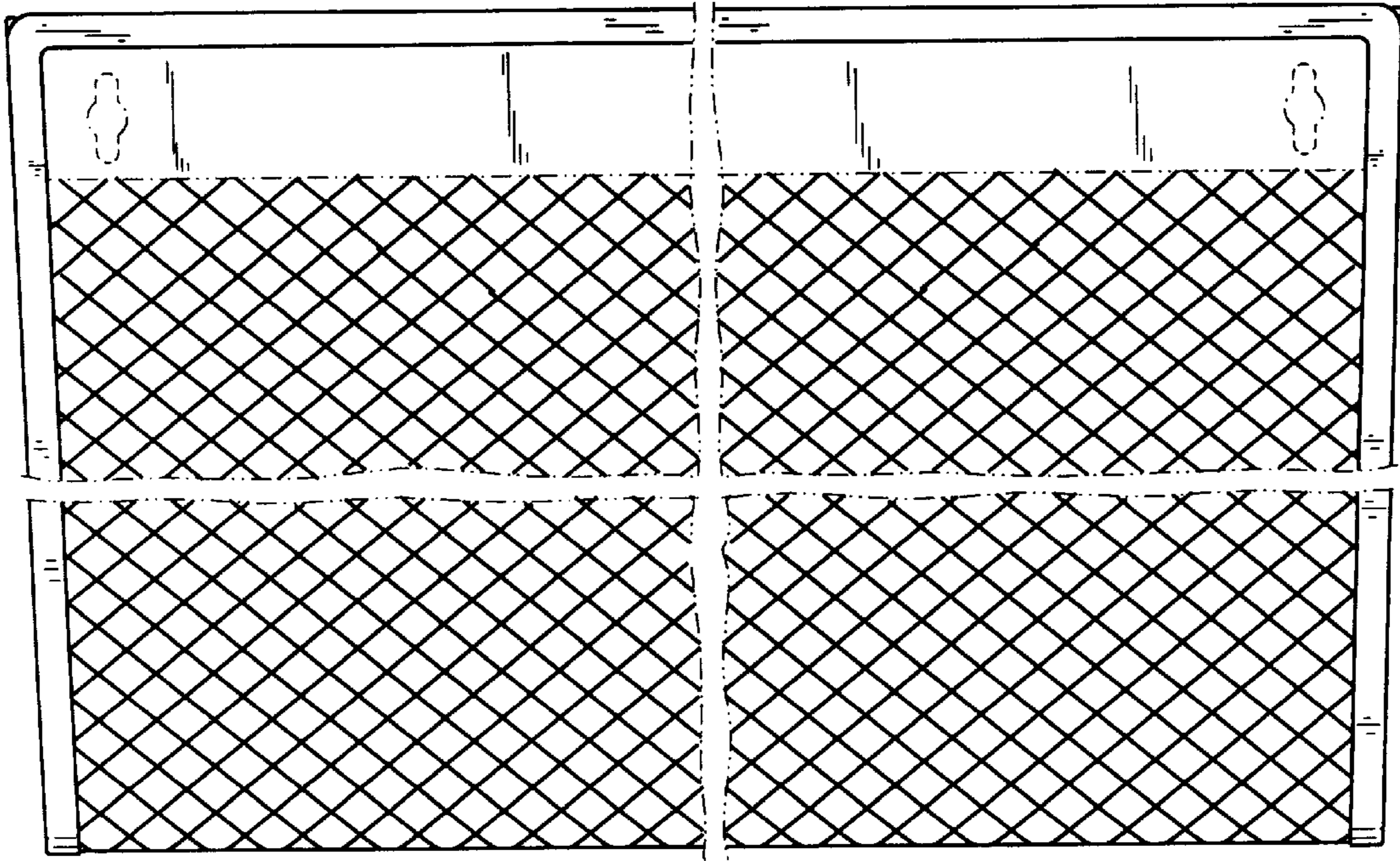


FIG. 6

