



US00D458639S

(12) **United States Design Patent**
Anderson

(10) **Patent No.:** **US D458,639 S**
(45) **Date of Patent:** **** Jun. 11, 2002**

(54) **GOLF BALL SHAPED WRITING UTENSIL HOLDER**

Primary Examiner—Martie K. Holtje
(74) *Attorney, Agent, or Firm*—Darby & Darby

(76) Inventor: **Sharon E. Anderson**, 134 Montauk Hwy., East Hampton, NY (US) 11937

(57) **CLAIM**

(**) Term: **14 Years**

The ornamental design for a golf ball shaped writing utensil holder, as shown and described.

(21) Appl. No.: **29/145,643**

DESCRIPTION

(22) Filed: **Jul. 25, 2001**

(51) **LOC (7) Cl.** **19-06**

(52) **U.S. Cl.** **D19/82; D19/97**

(58) **Field of Search** D19/35, 65, 75,
D19/77, 81–85, 95, 97, 99, 100; D21/707–709;
211/69.1–69.9, 69, 70; 206/214, 371, 224;
40/358; D9/307

FIG. 1 is a front plan view of one embodiment of a golf ball shaped writing utensil holder, showing my new design; FIG. 2 is a top view of the golf ball shaped writing utensil holder shown in FIG. 1; FIG. 3 is a rear view of the golf ball shaped writing utensil holder shown in FIG. 1; FIG. 4 is a bottom view of the golf ball shaped writing utensil holder shown in FIG. 1; FIG. 5 is a right side view of the golf ball shaped writing utensil holder shown in FIG. 1, the left side view being a mirror image thereof; FIG. 6 is a front view of second embodiment of the golf ball shaped writing utensil holder showing my new design; FIG. 7 is a top view of the golf ball shaped writing utensil holder shown in FIG. 6; FIG. 8 is a rear view of the golf ball shaped writing utensil holder shown in FIG. 6; FIG. 9 is a right side view of the golf ball shaped writing utensil holder shown in FIG. 6, the left side view being a mirror image thereof; and, FIG. 10 is a bottom view of the golf ball shaped writing utensil holder shown in FIG. 6.

(56) **References Cited**

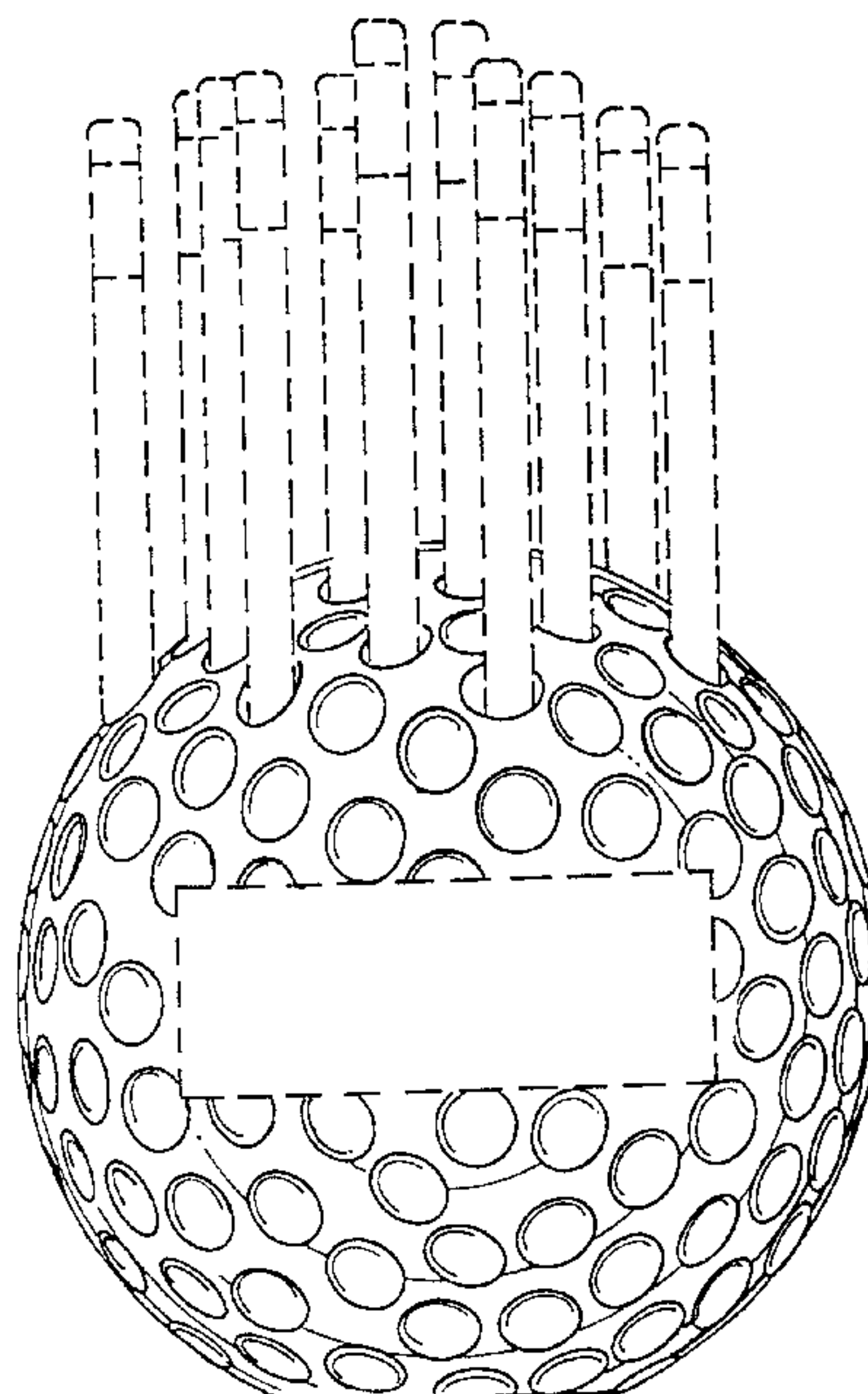
U.S. PATENT DOCUMENTS

D44,625 S	*	9/1913	Yoos	D19/97 X
2,019,953 A		10/1935	Curtis		
D155,152 S		9/1949	Greenstein		
D160,161 S		9/1950	Gass		
D169,077 S		3/1953	Mains, Jr.		
D262,121 S		12/1981	Brady		
D292,991 S		12/1987	Adler		
D293,690 S		1/1988	Adler		
D298,264 S		10/1988	Wang		
D325,934 S		5/1992	Ramljak		
D326,114 S	*	5/1992	Murtagh	D19/97
D345,581 S		3/1994	Popovits		
D353,064 S		12/1994	Gilbert		
D381,044 S	*	7/1997	Larm	D19/82
D388,829 S		1/1998	Lage		
D417,239 S		11/1999	Sullivan		
D433,066 S	*	10/2000	Porter	D19/82 X

The broken line showing of hardware (e.g., the writing instrument, label and bore holes) as well as the position of the hardware relative to the claimed design and any other broken lines are to show environment only and are not part of the claimed design.

* cited by examiner

1 Claim, 5 Drawing Sheets



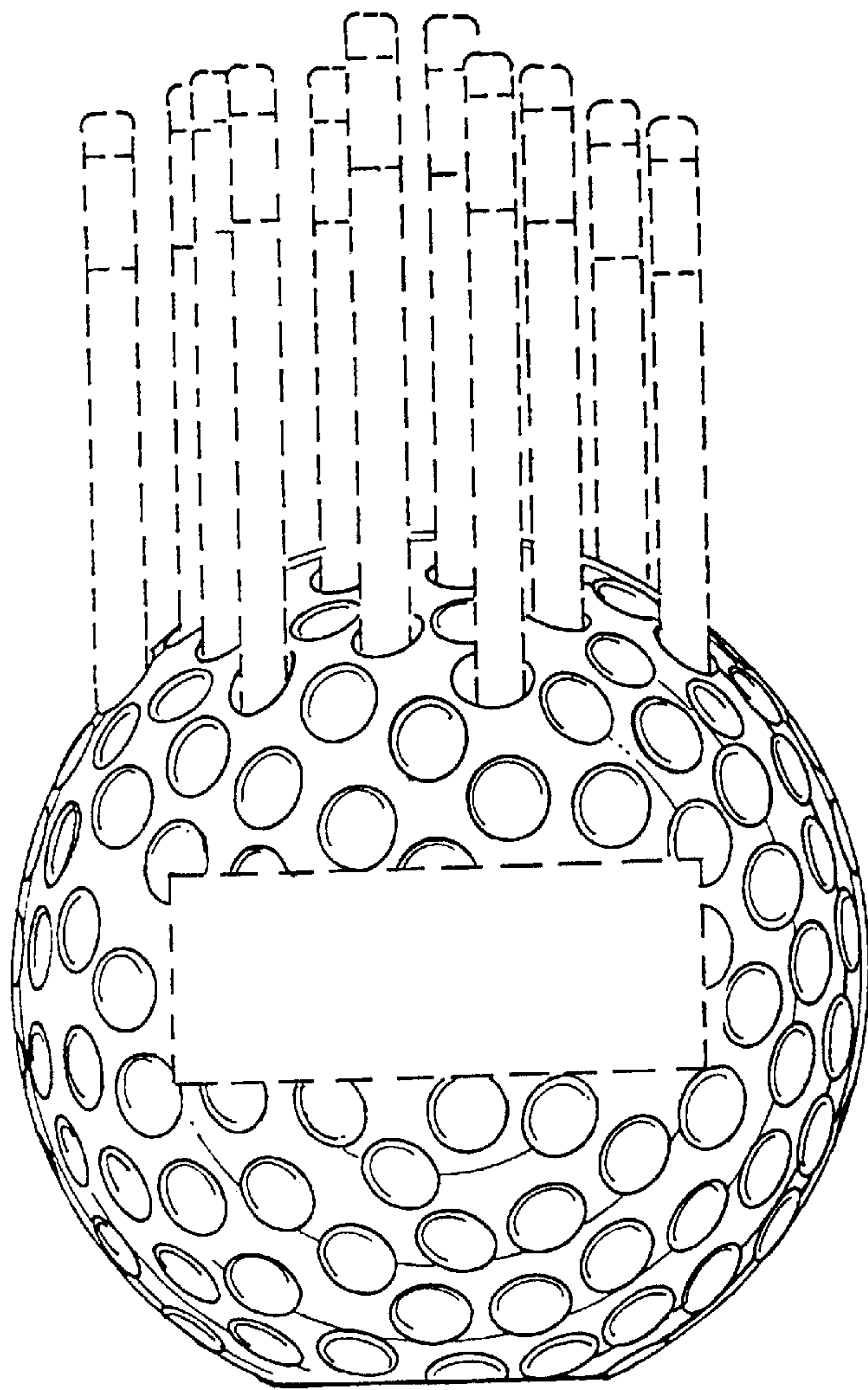


FIG. 1

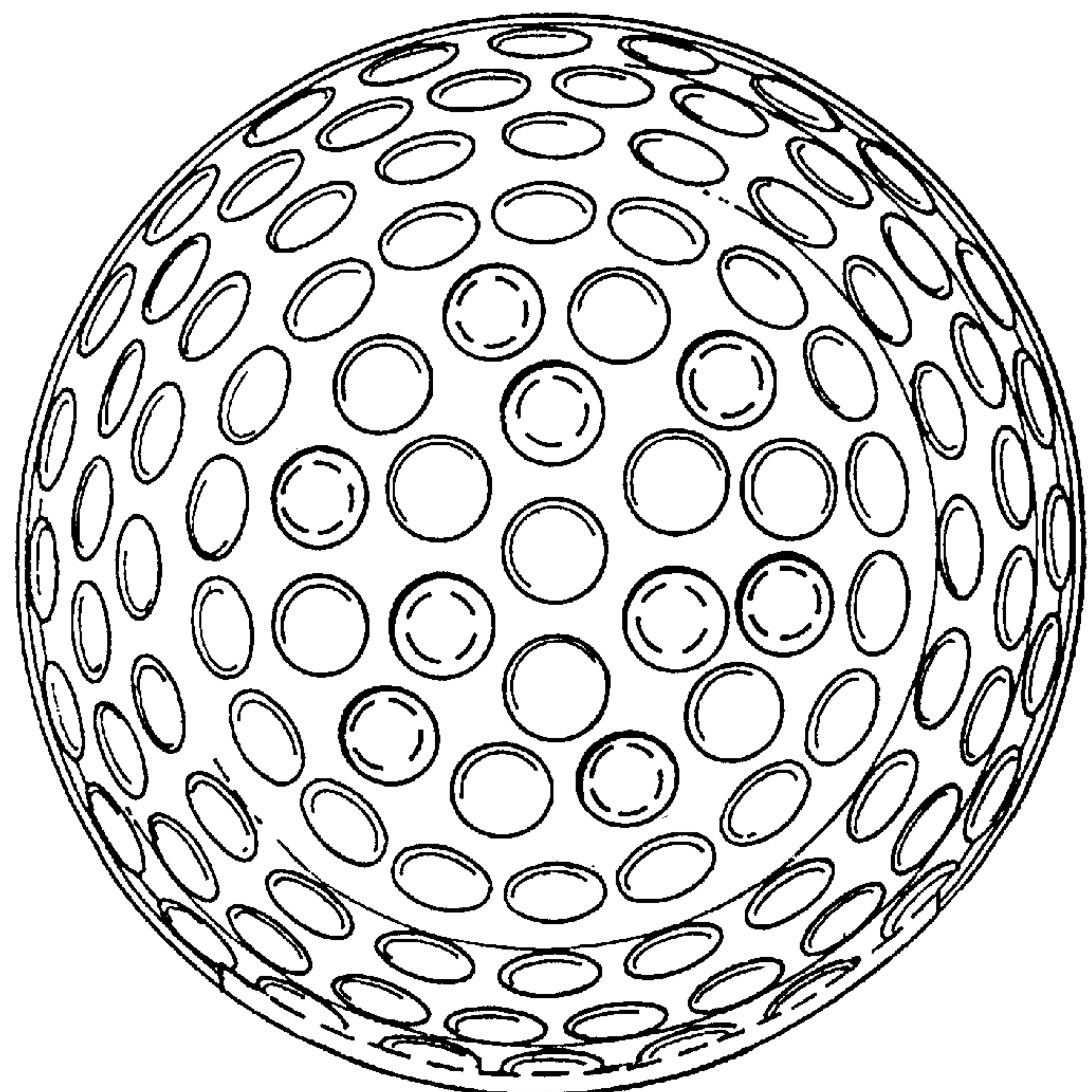


FIG. 2

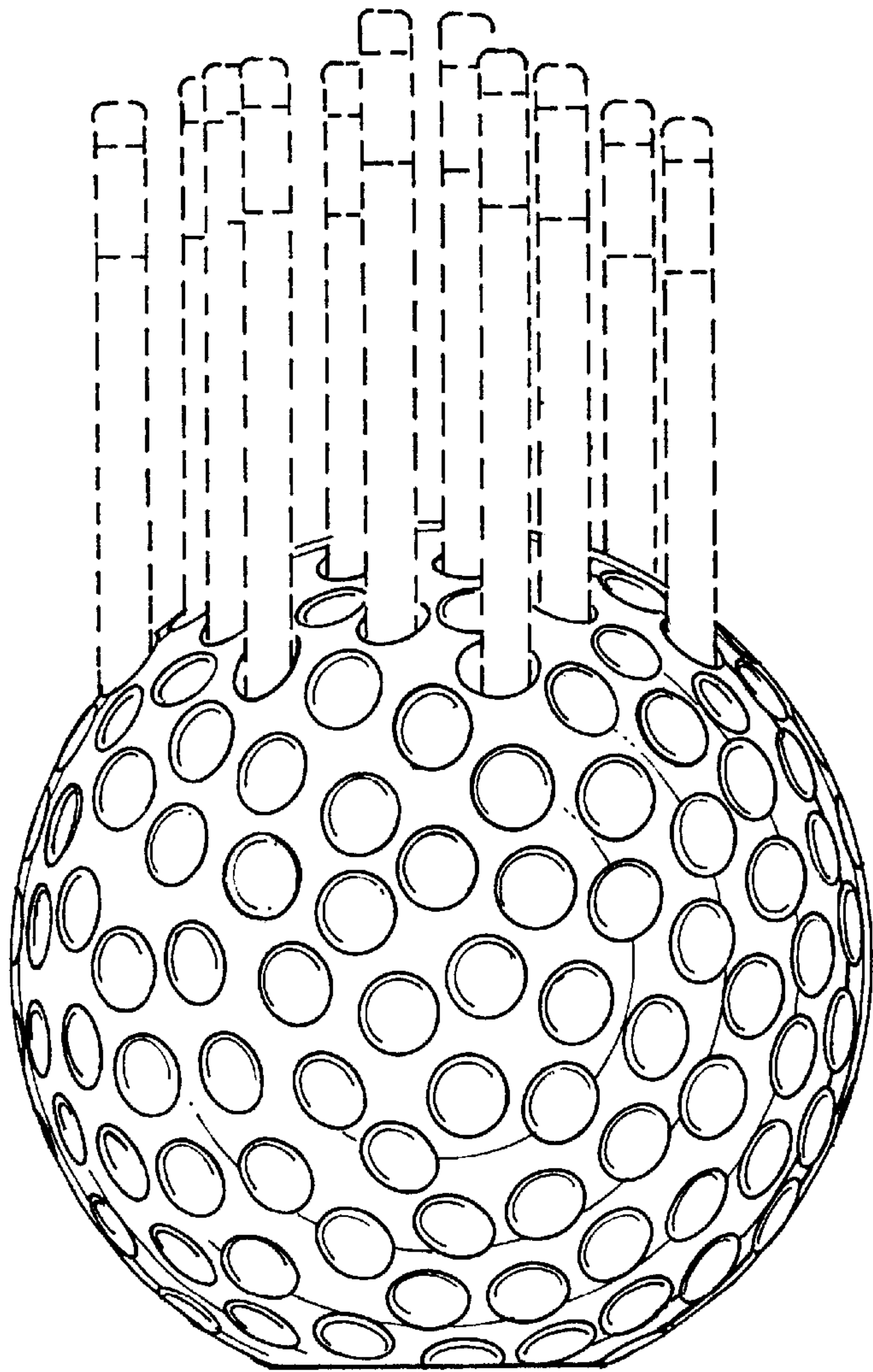


FIG. 3

FIG. 4

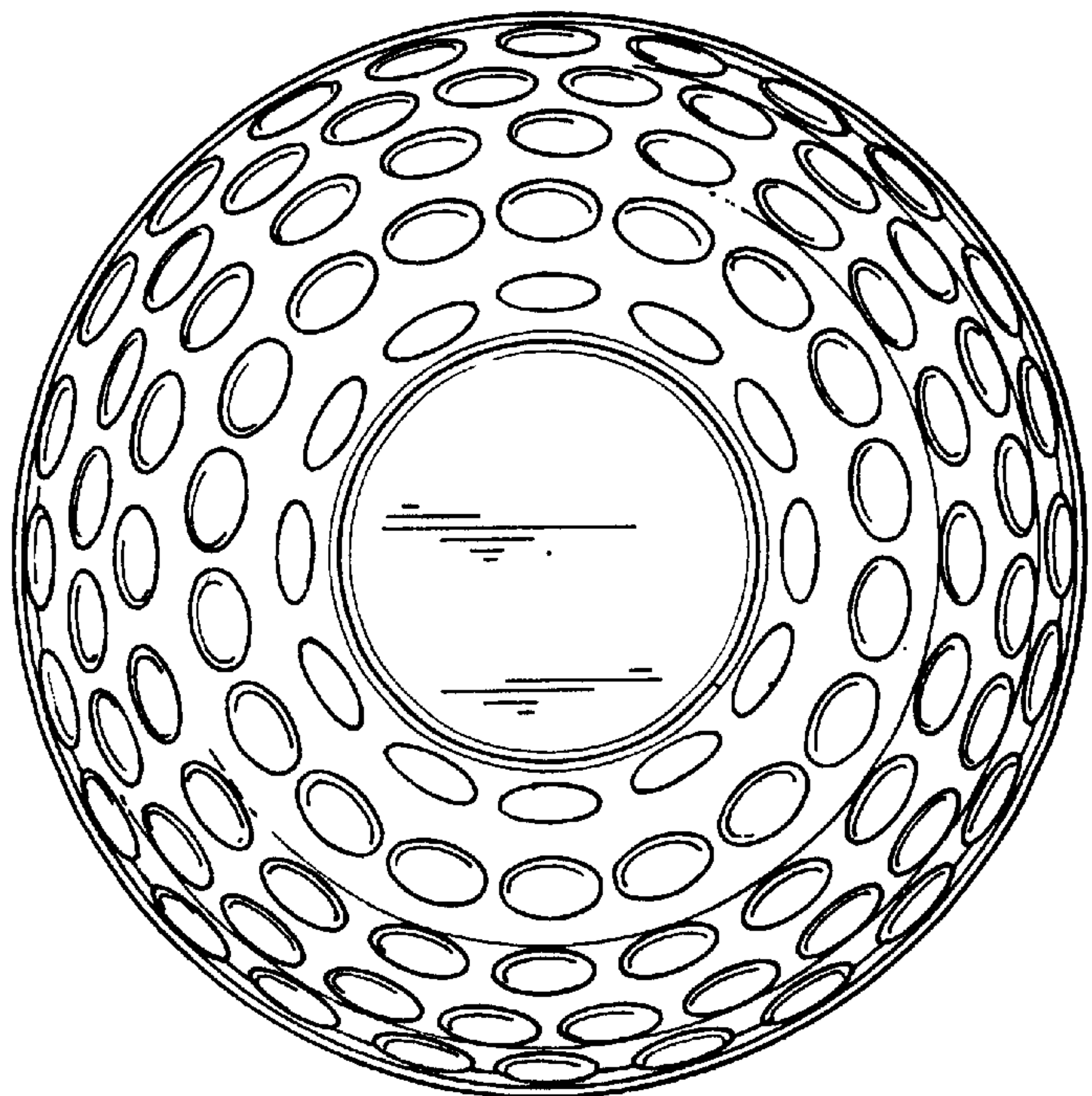


FIG. 6

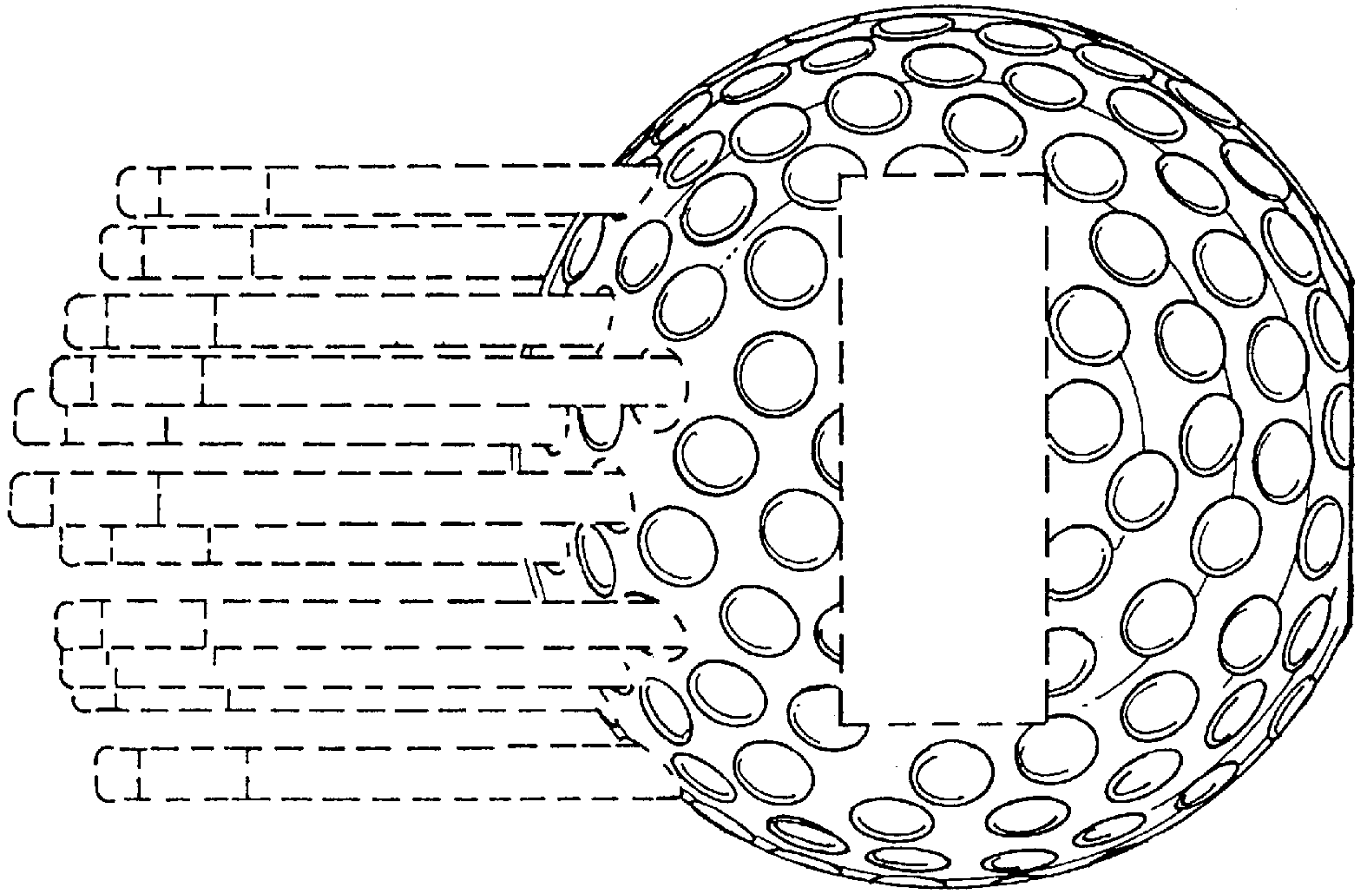
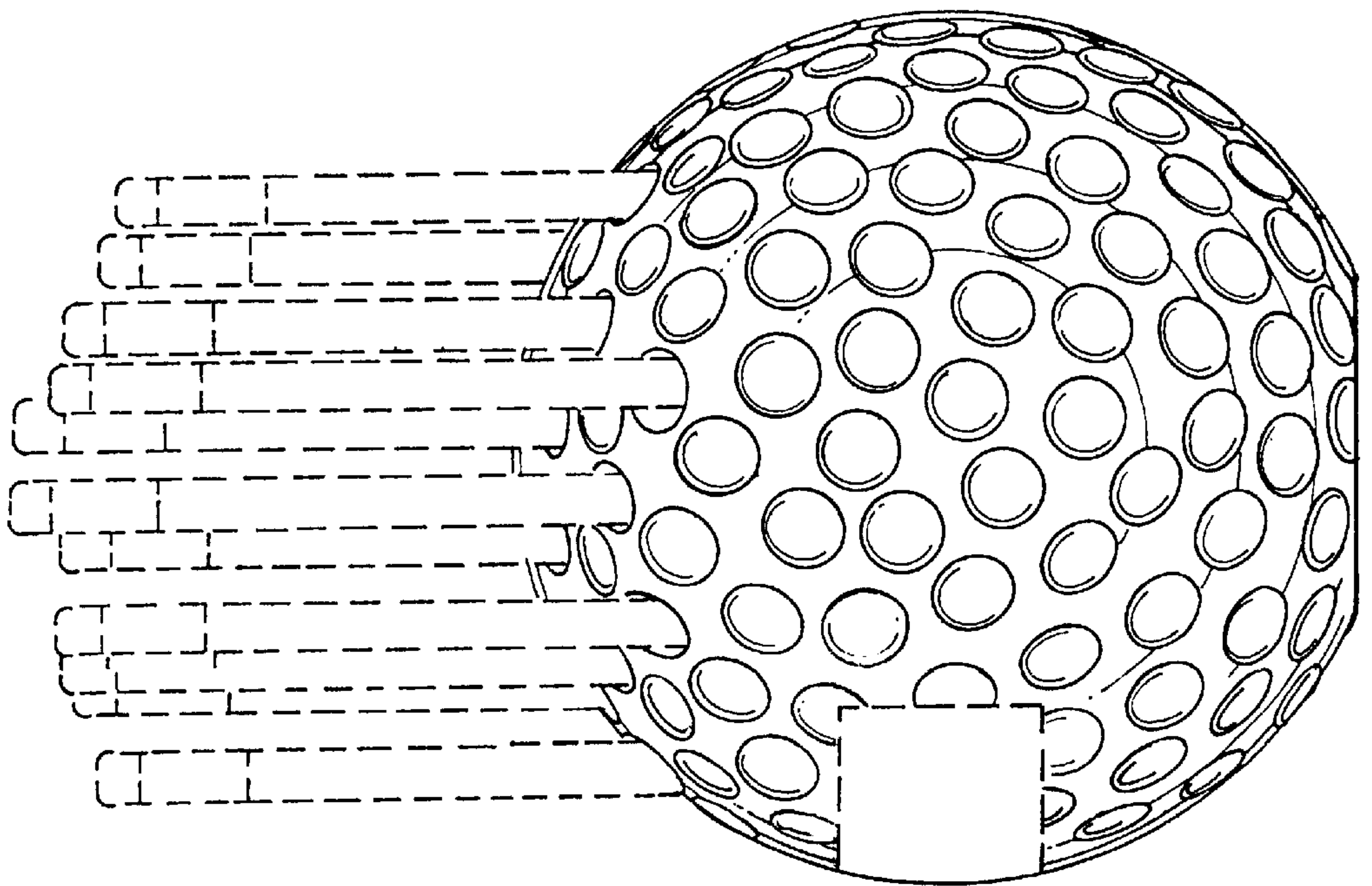


FIG. 5



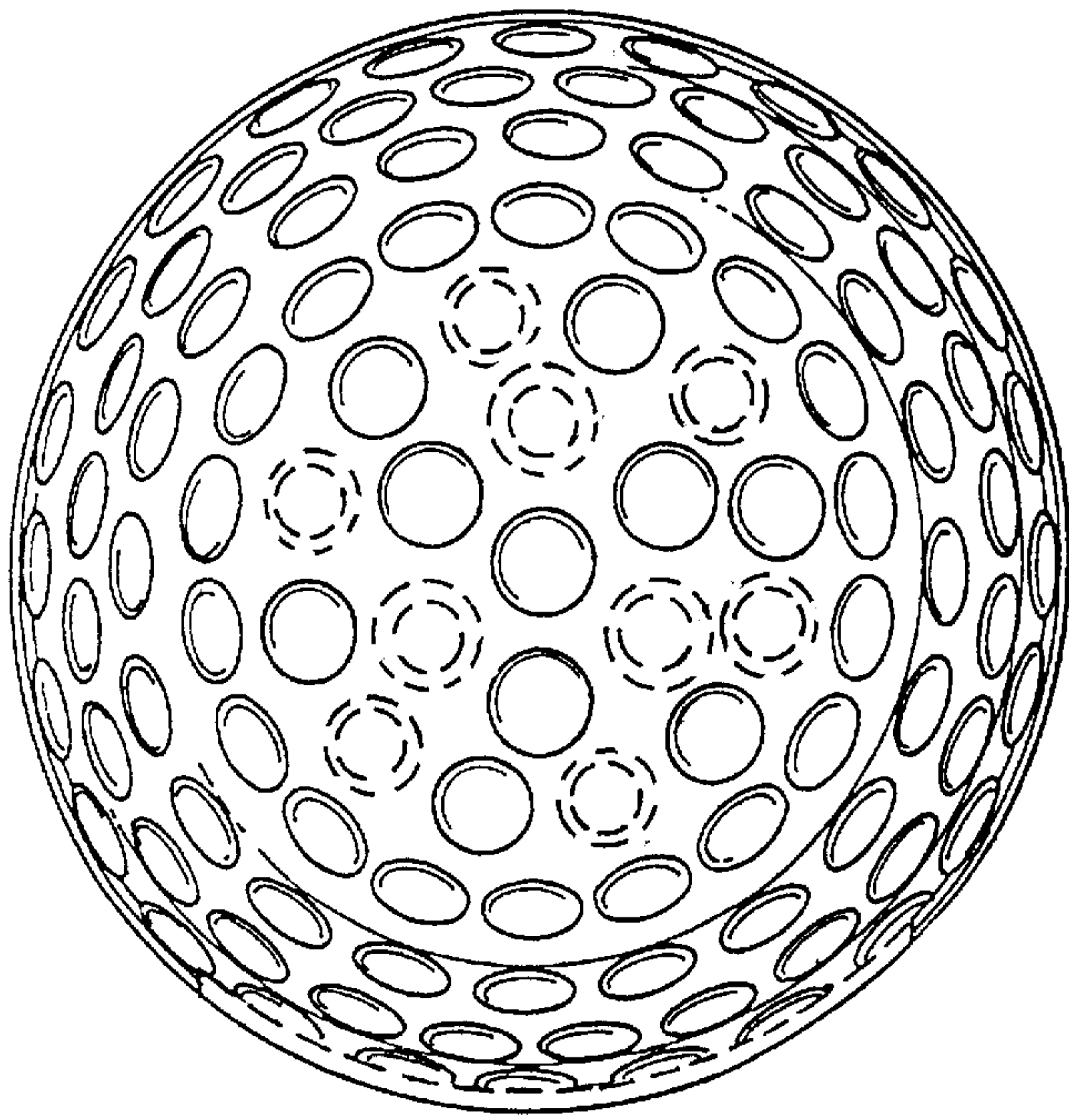


FIG. 7

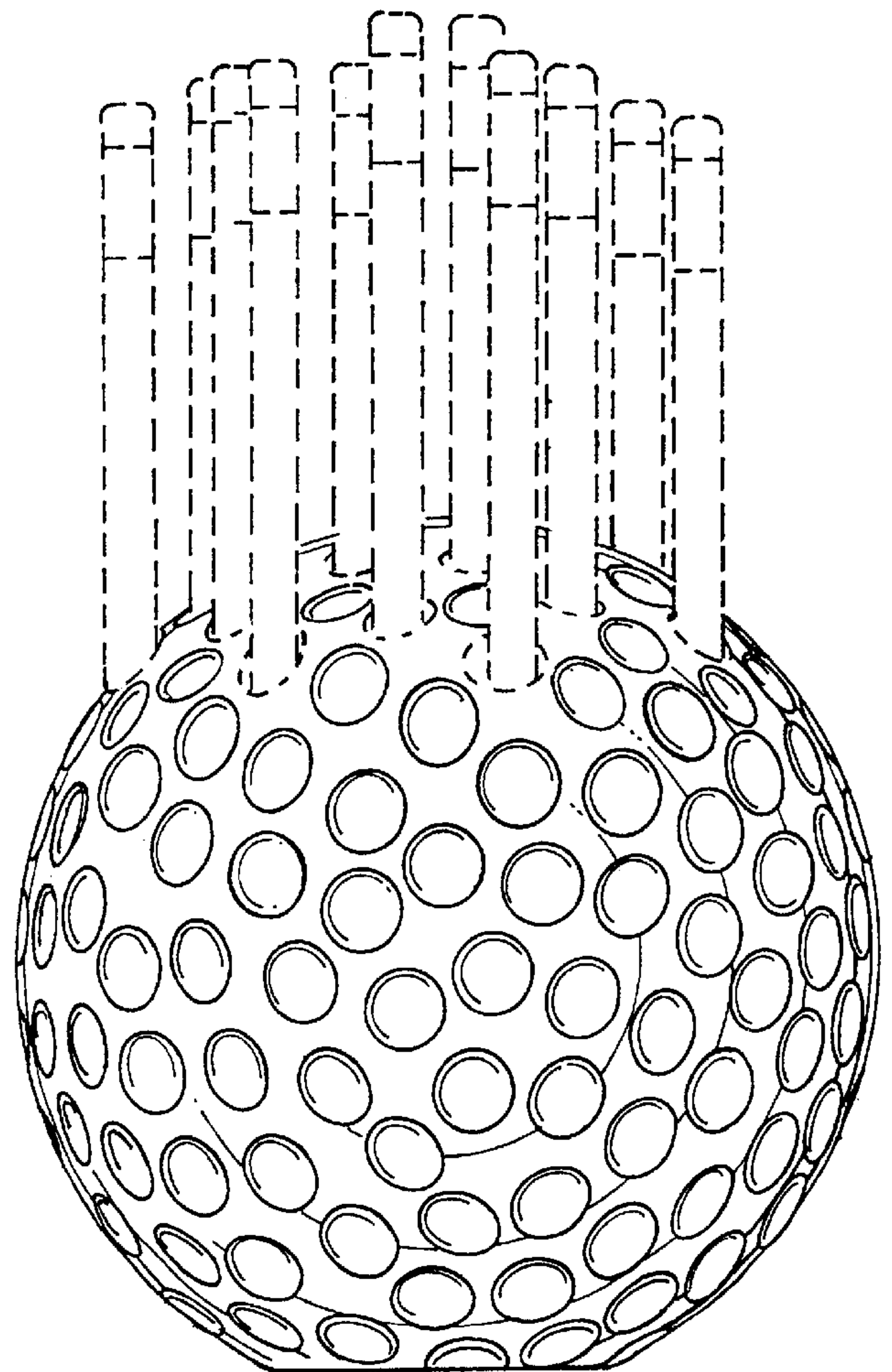


FIG. 8

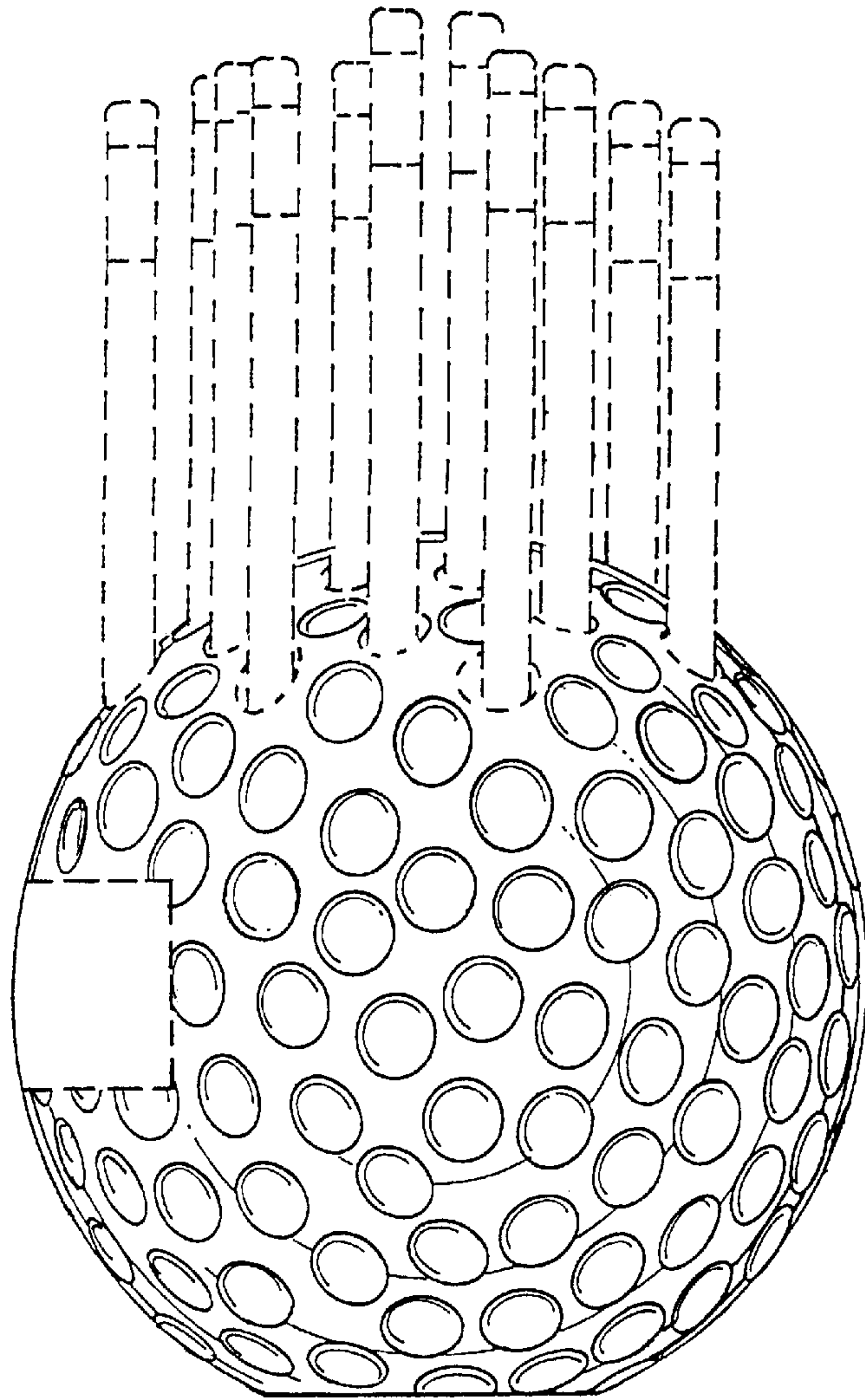


FIG. 9

FIG. 10

