



US00D458638S

(12) **United States Design Patent**
Grossman

(10) **Patent No.:** **US D458,638 S**

(45) **Date of Patent:** **** Jun. 11, 2002**

(54) **STICKER SPOOL**

(76) **Inventor:** **Jason Grossman**, 5061 Petaluma Hill Rd., Santa Rosa, CA (US) 95404

(**) **Term:** **14 Years**

(21) **Appl. No.:** **29/137,576**

(22) **Filed:** **Feb. 22, 2001**

(51) **LOC (7) Cl.** **19-02**

(52) **U.S. Cl.** **D19/69; D19/89**

(58) **Field of Search** D19/65, 67-69, D19/89, 99, 100; 242/588.1-588.6, 597.4, 598.5, 601, 595; 206/39, 447, 39.1-39.8, 397, 813, 408, 820, 416; 225/44, 47, 52-54; 221/73, 70, 71; 156/69, 242, 245, 293

(56) **References Cited**

U.S. PATENT DOCUMENTS

901,520 A	*	10/1908	Burris	242/597.4
1,168,703 A	*	1/1916	Bauer	242/588.3
2,170,147 A	*	8/1939	Lane	206/447
D118,936 S	*	2/1940	Guild	D19/89

4,615,442 A	*	10/1986	Beeken	206/397
D298,839 S	*	12/1988	Söderberg et al.	D19/69
D300,230 S	*	3/1989	Yamazaki	D19/69
D309,158 S	*	7/1990	Shattan	D19/89
5,174,840 A	*	12/1992	Anderson	156/69
5,634,570 A	*	6/1997	Casper et al.	221/73

* cited by examiner

Primary Examiner—Martie K. Holtje

(74) *Attorney, Agent, or Firm*—Francis Law Group

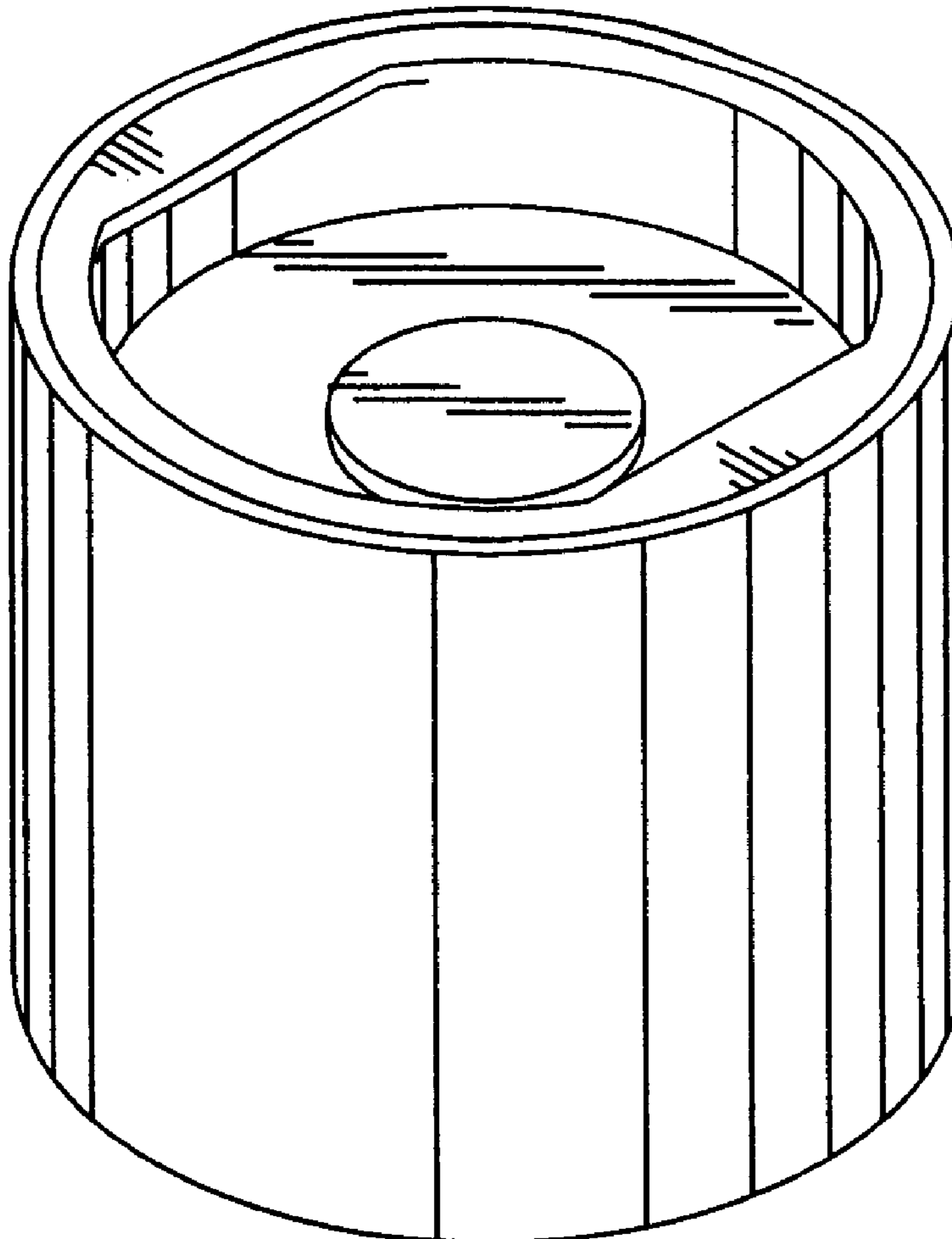
(57) **CLAIM**

I claim the ornamental design for a sticker spool, as shown and described.

DESCRIPTION

FIG. 1 is a perspective view of my new design; FIG. 2 is a front elevational view thereof; the rear elevational view, right side elevational view and left side elevational view thereof being identical to said front elevational view; and, FIG. 3 is a top plan view thereof; the bottom plan view thereof being identical to said top plan view.

1 Claim, 1 Drawing Sheet



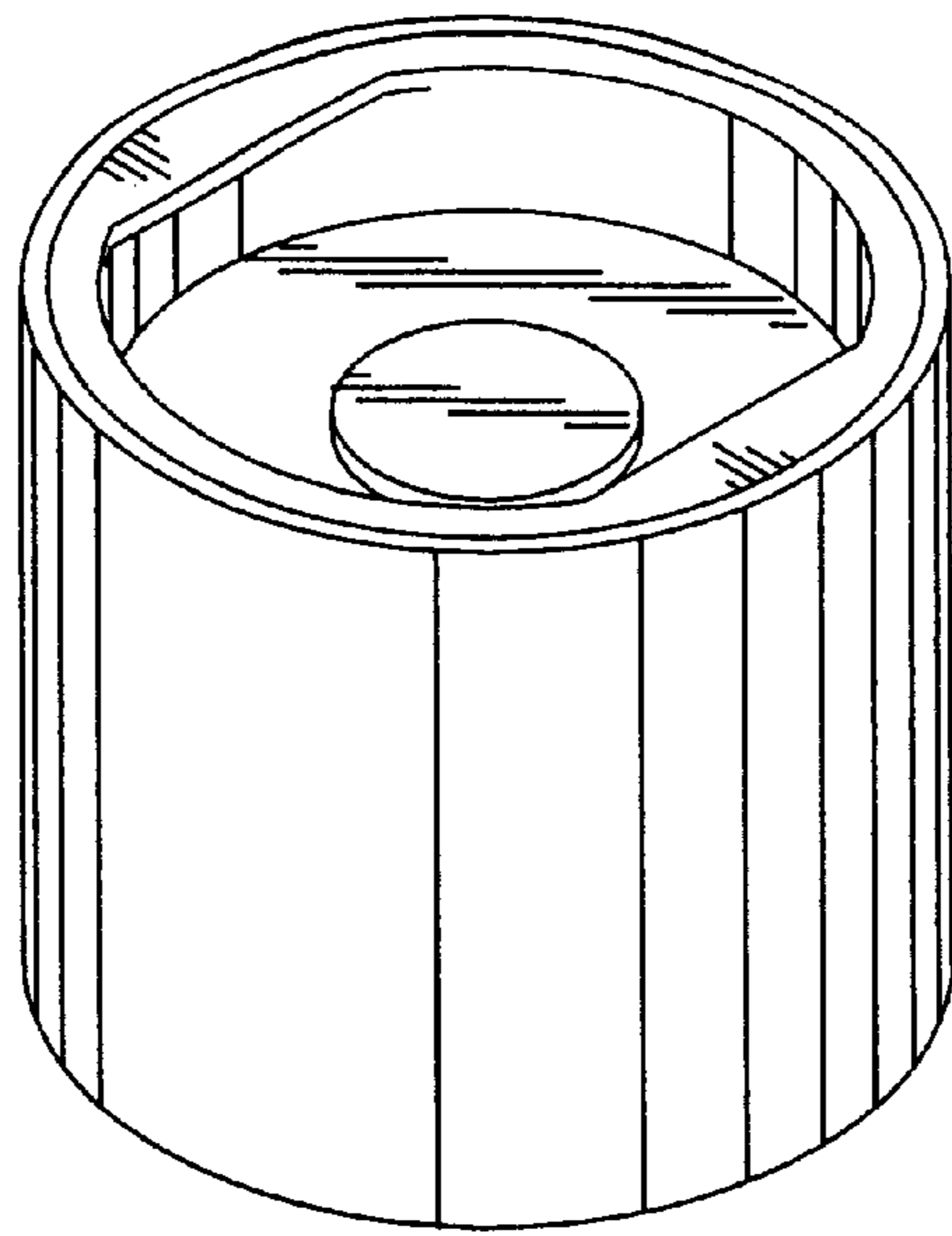


FIG. - 1

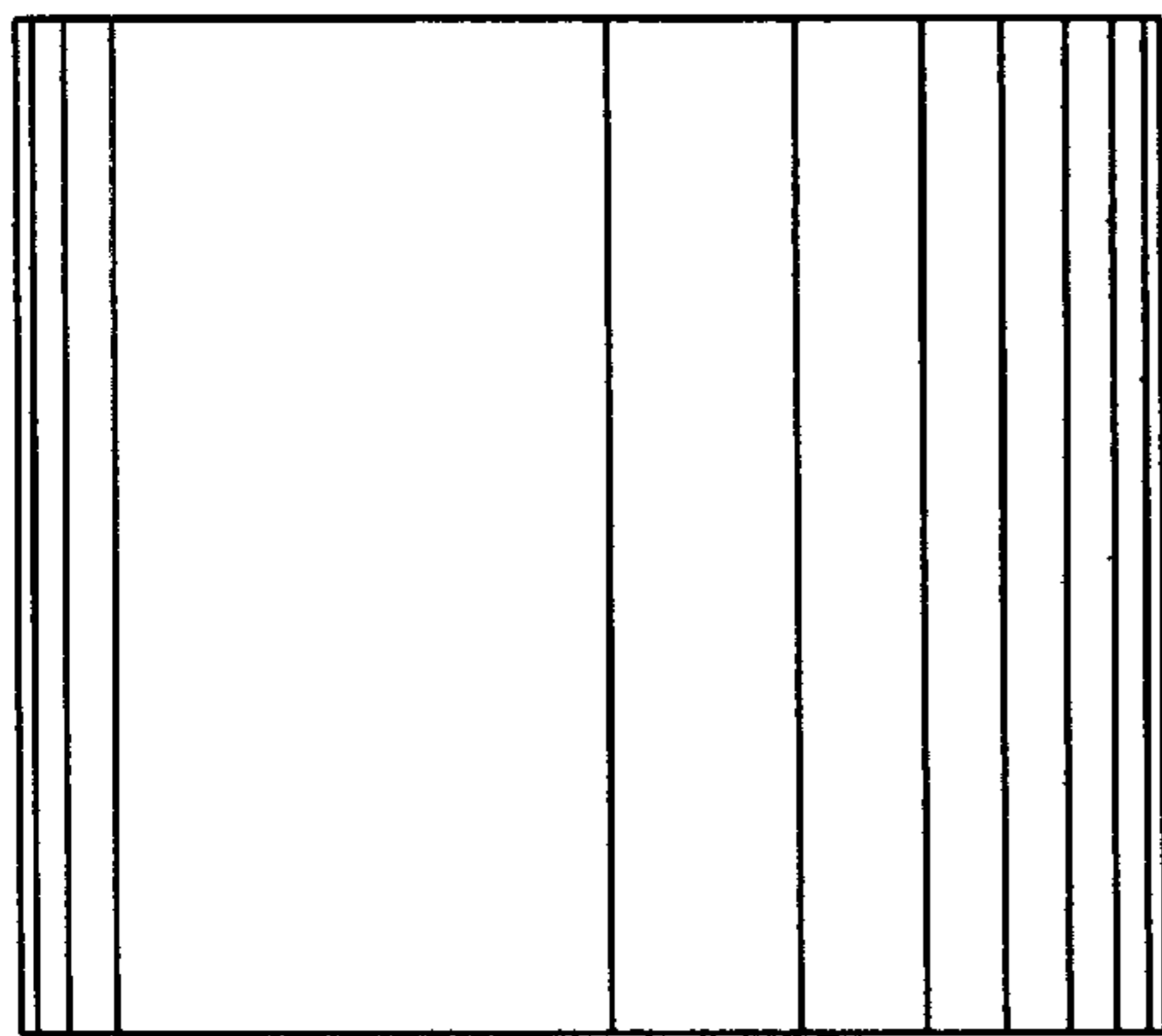


FIG. - 2

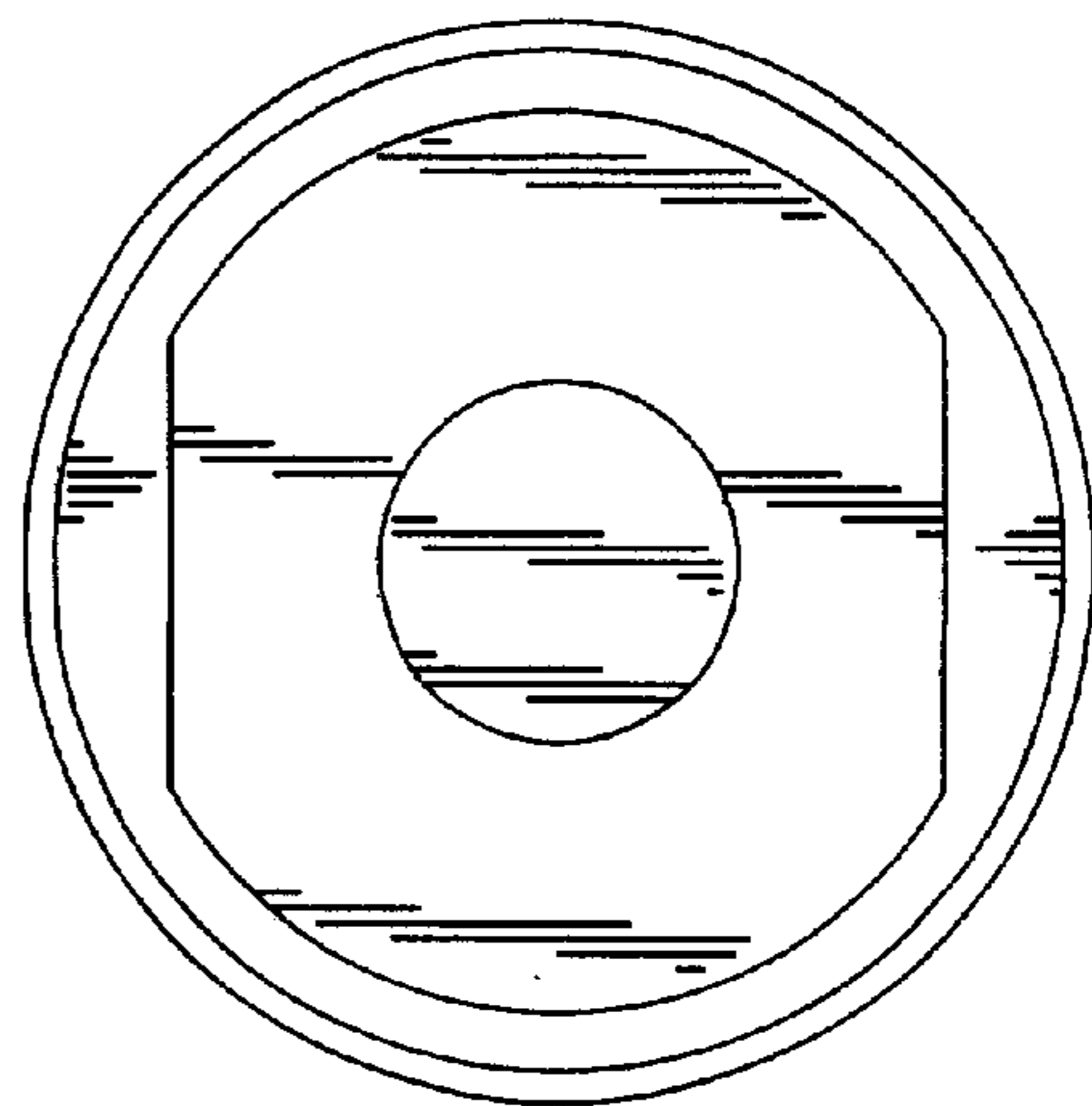


FIG. - 3