



US00D458634S

(12) **United States Design Patent**
Gerriet

(10) **Patent No.:** **US D458,634 S**

(45) **Date of Patent:** **** Jun. 11, 2002**

(54) **BINDER**

(75) **Inventor:** **Jacques Gerriet**, Fleury sur Andelle (FR)

(73) **Assignee:** **Arianex Systemes (FR)**

(**) **Term:** **14 Years**

(21) **Appl. No.:** **29/144,184**

(22) **Filed:** **Jun. 27, 2001**

(51) **LOC (7) Cl.** **19-04**

(52) **U.S. Cl.** **D19/27**

(58) **Field of Search** D19/27, 26, 32, D19/33; 402/3, 4, 13, 79, 80 R, 75; 281/30, 31, 34

(56) **References Cited**

U.S. PATENT DOCUMENTS

4,630,843 A	*	12/1986	Willat	281/30
D293,335 S	*	12/1987	Egly	D19/27
4,750,884 A	*	6/1988	Bourgeois et al.	402/75
D414,801 S	*	10/1999	Karten et al.	D19/27
D435,863 S	*	1/2001	Eskanory	D19/27
D446,810 S	*	8/2001	Faulstich	D19/27

* cited by examiner

Primary Examiner—Paula A. Mortimer

(74) *Attorney, Agent, or Firm*—Cantor Colburn LLP

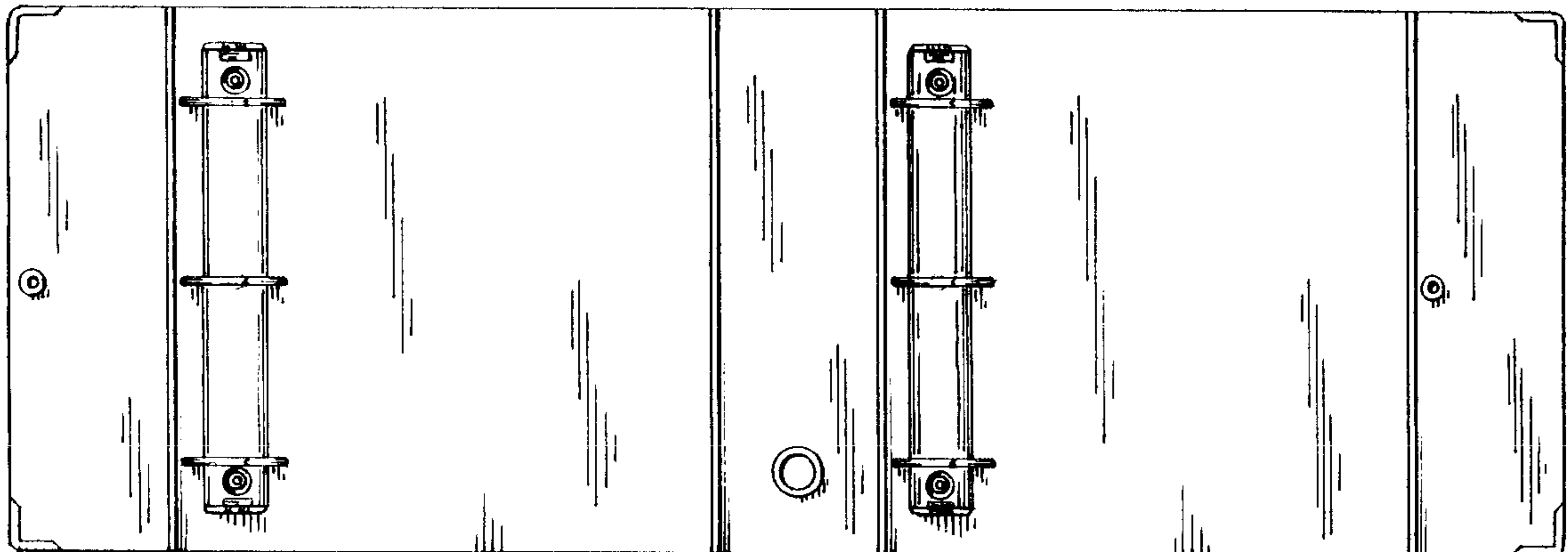
(57) **CLAIM**

The ornamental design for a binder, as shown and described.

DESCRIPTION

FIG. 1 is a front elevational view of a binder showing my new design;
 FIG. 2 is a right side elevational view thereof;
 FIG. 3 is a top plan view thereof;
 FIG. 4 is a bottom plan view thereof;
 FIG. 5 is a rear elevational view thereof;
 FIG. 6 is a left side elevational view thereof;
 FIG. 7 is a top plan view of the binder in an alternate position;
 FIG. 8 is a first side elevational view thereof;
 FIG. 9 is a second side elevational view thereof;
 FIG. 10 is a bottom plan view thereof;
 FIG. 11 is a front elevational view of the binder;
 FIG. 12 is a right side elevational view thereof;
 FIG. 13 is a top plan view thereof;
 FIG. 14 is a bottom plan view thereof;
 FIG. 15 is a rear elevational view thereof;
 FIG. 16 is a left side elevational view thereof;
 FIG. 17 is a top plan view of the binder in an alternate position;
 FIG. 18 is a first side elevational view thereof;
 FIG. 19 is a second side elevational view thereof; and,
 FIG. 20 is a bottom plan view thereof.

1 Claim, 8 Drawing Sheets



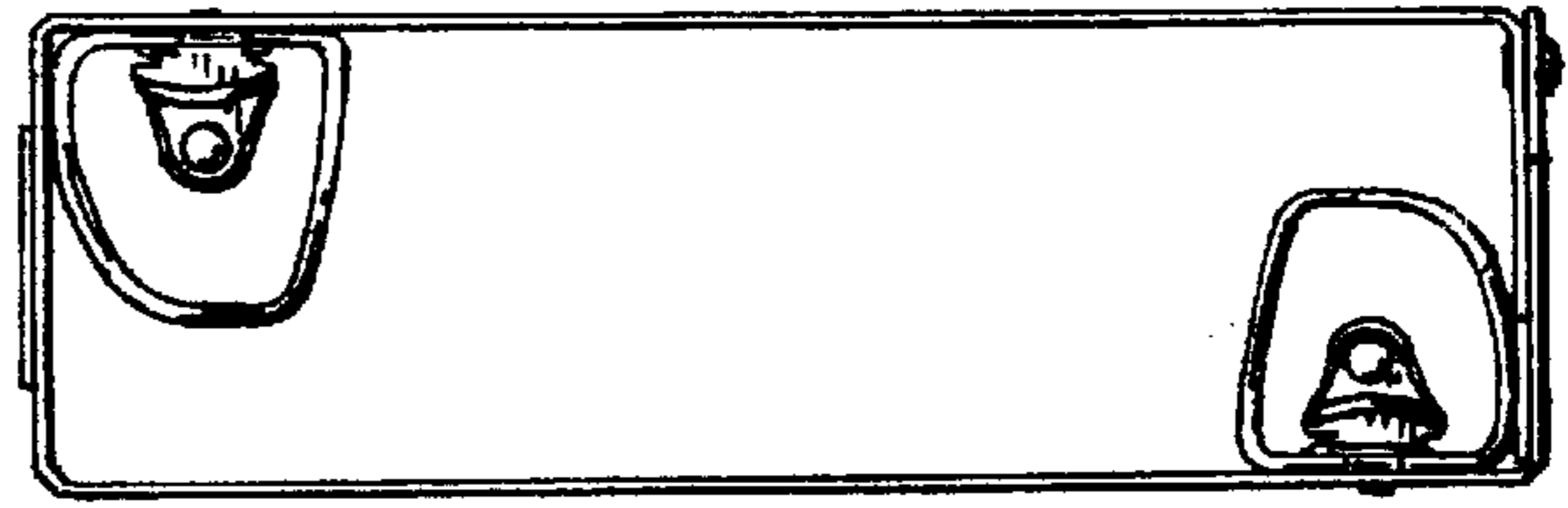


FIG. 3

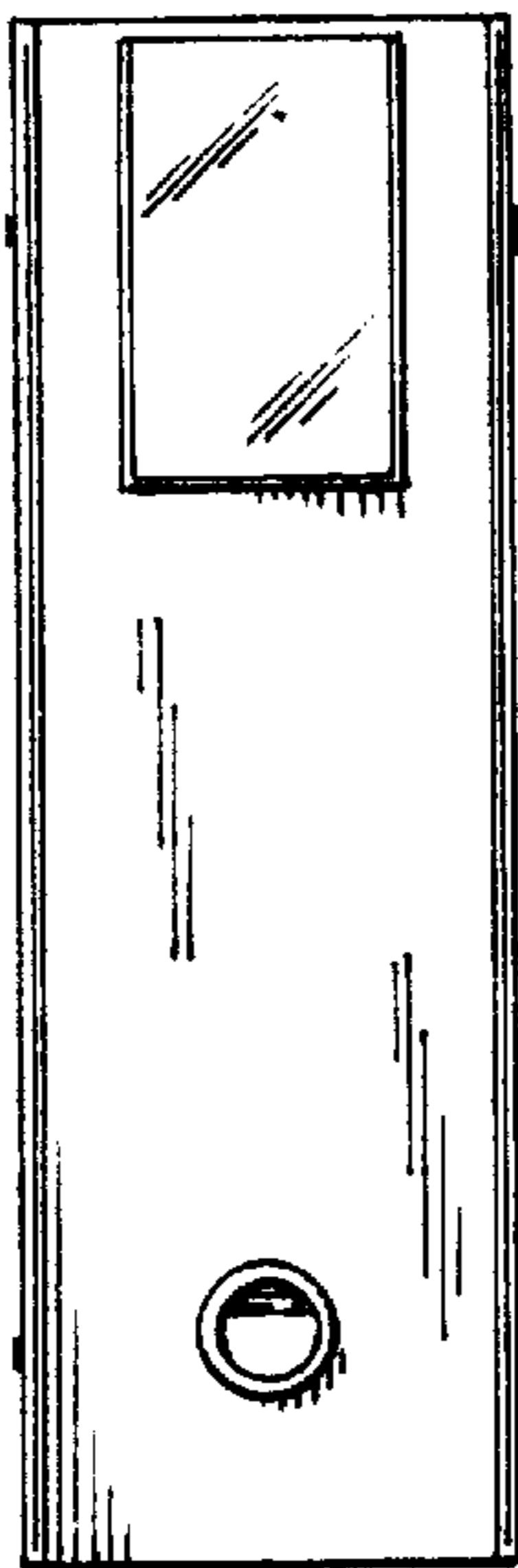


FIG. 1

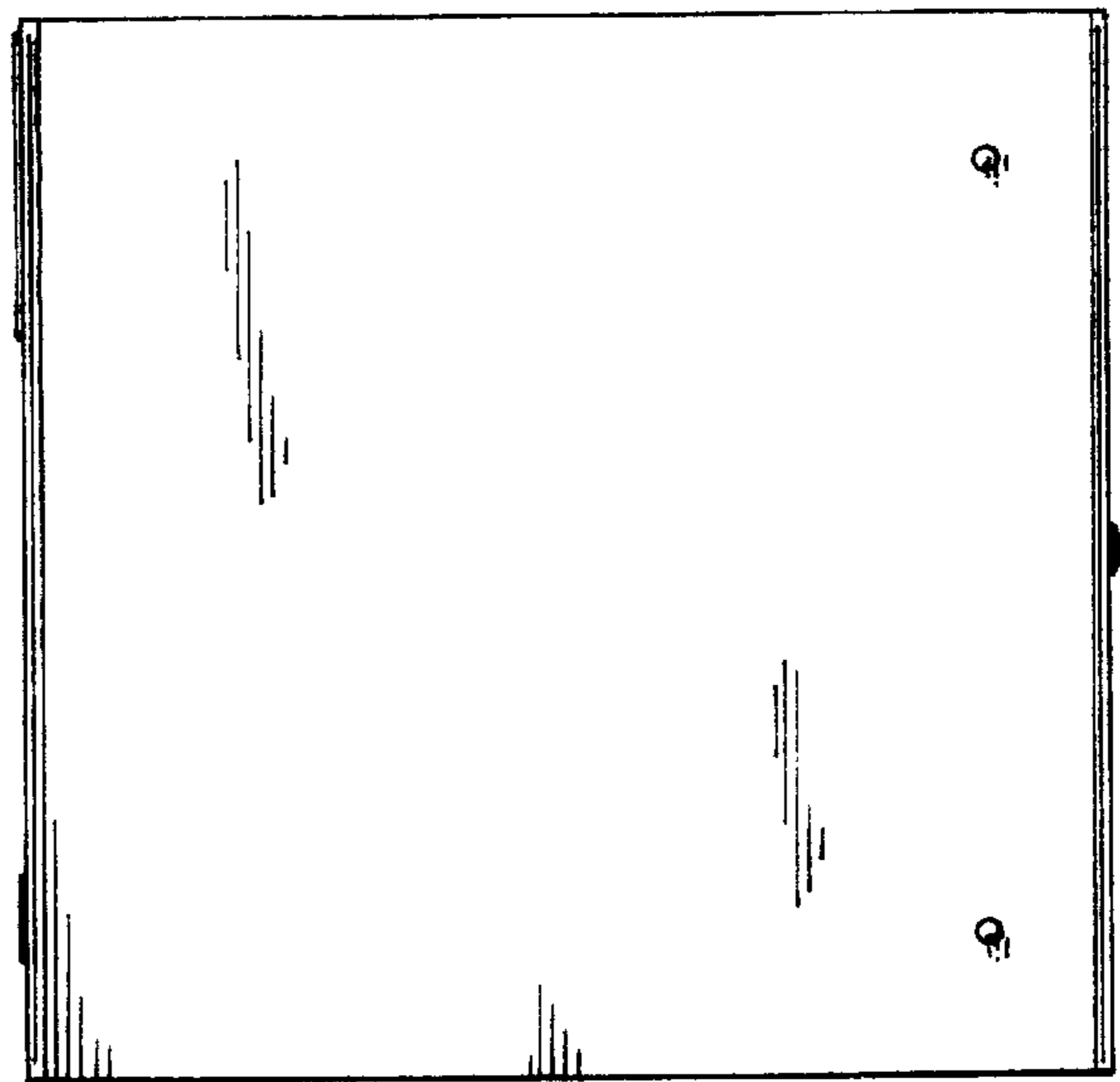


FIG. 2

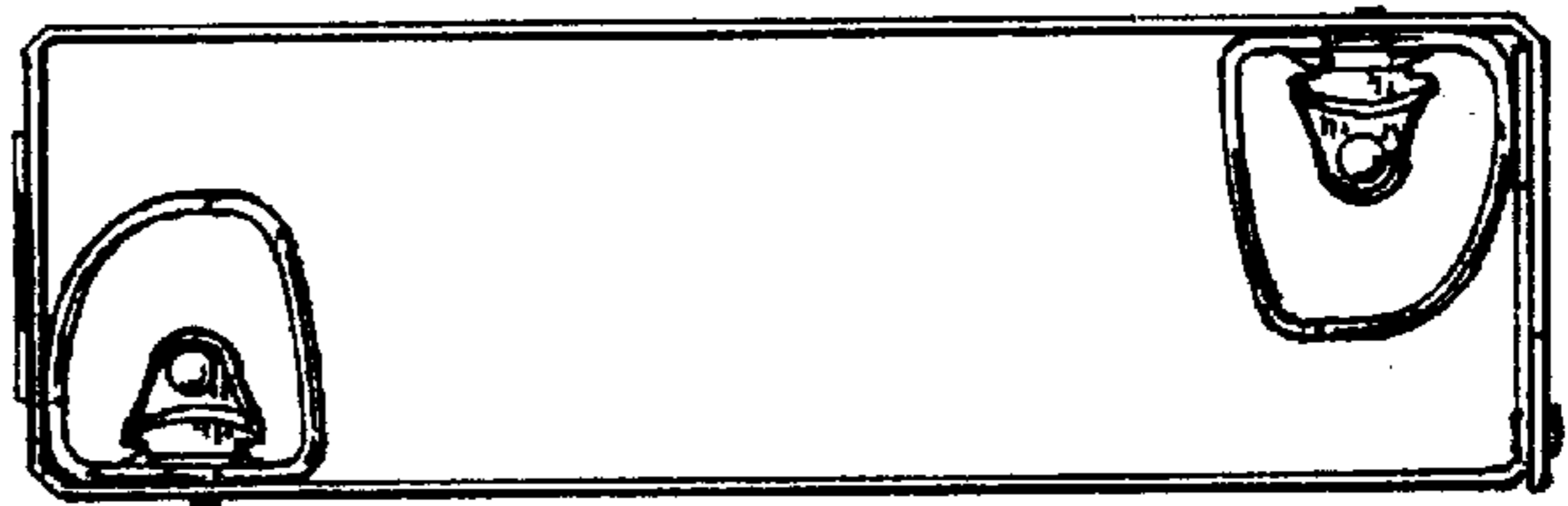


FIG. 4

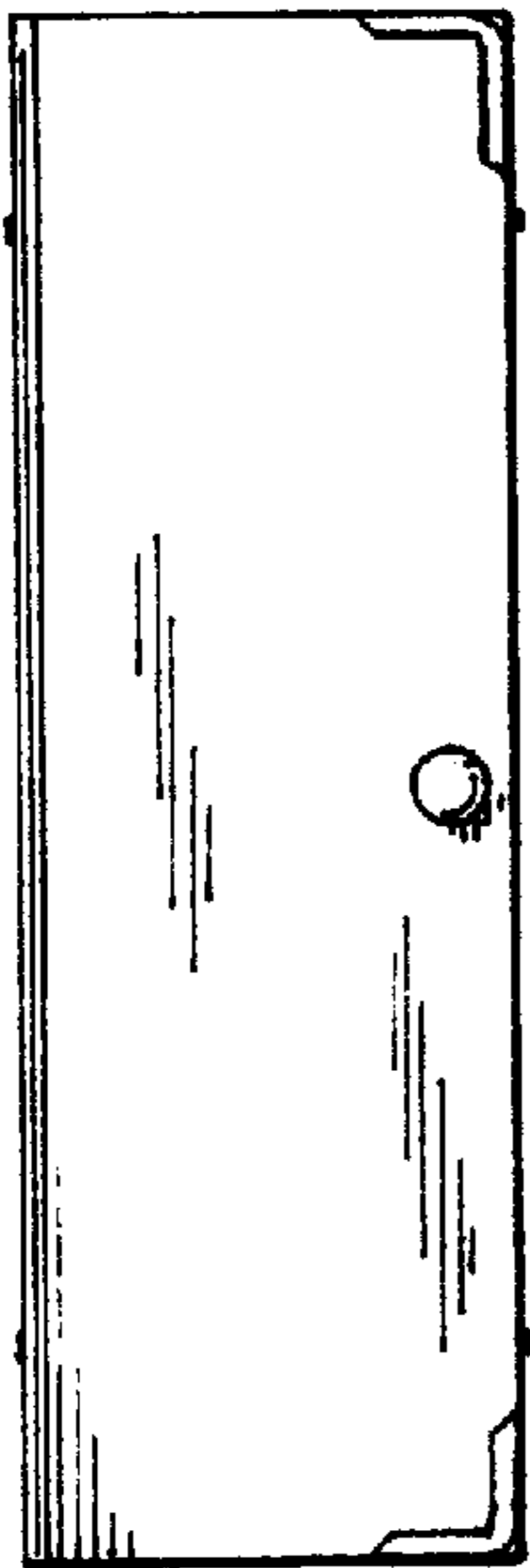


FIG. 5

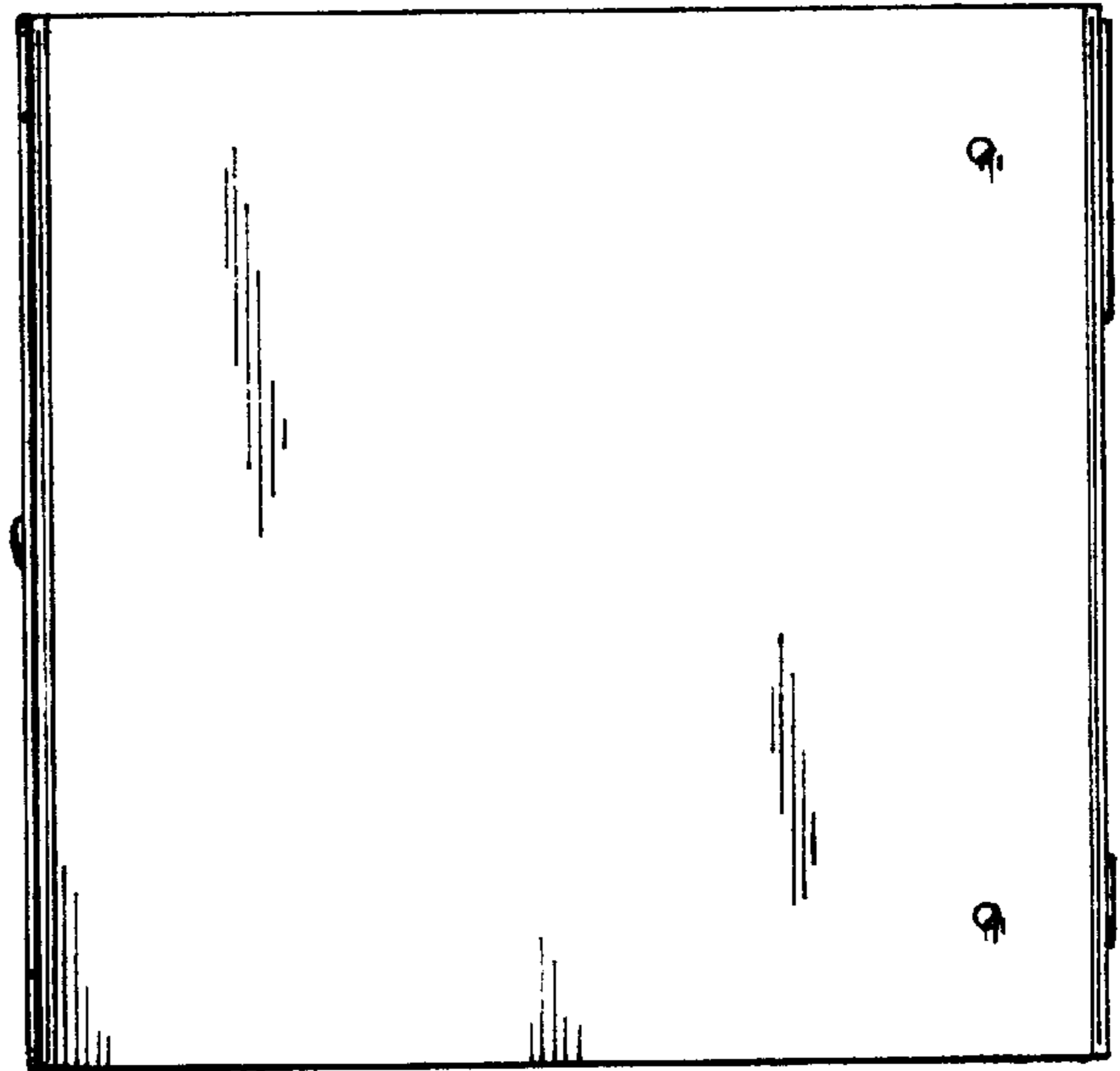


FIG. 6

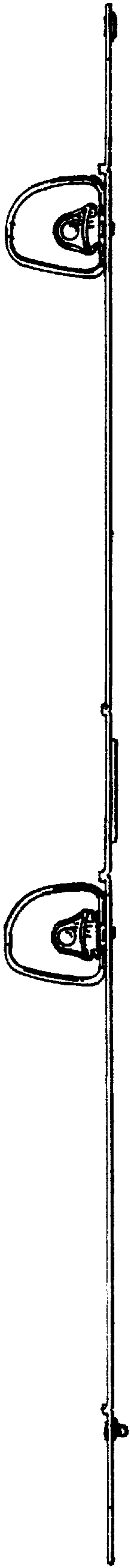


FIG. 7

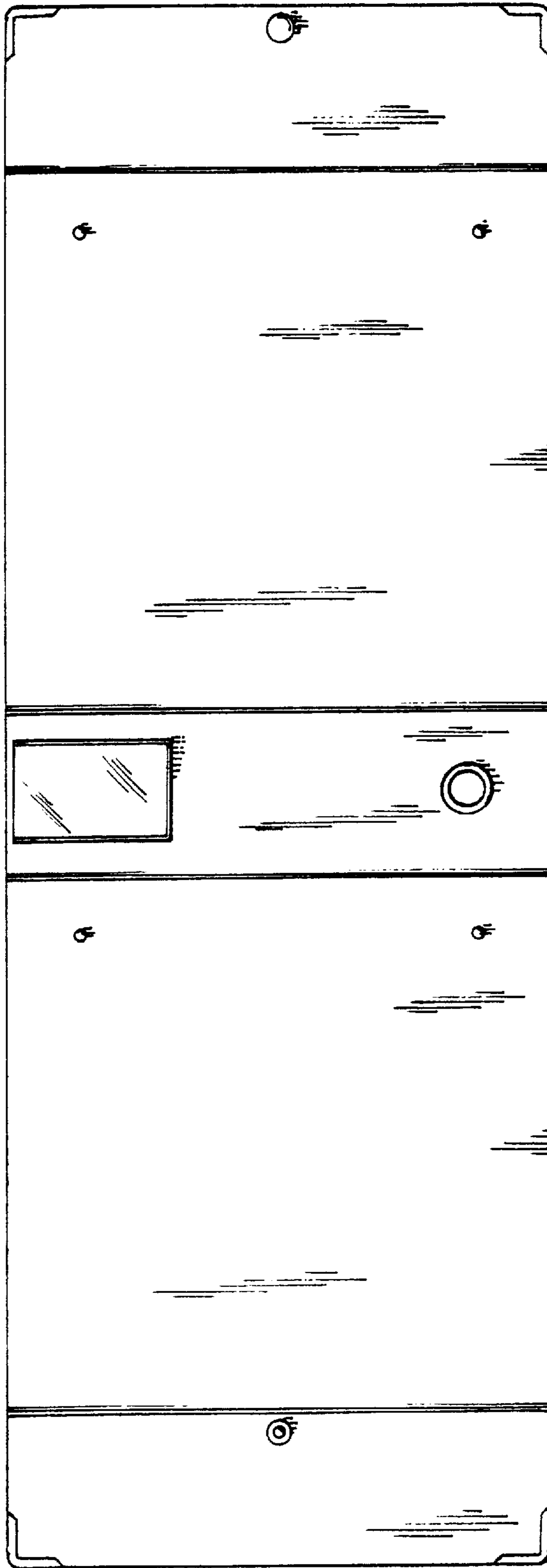


FIG. 8

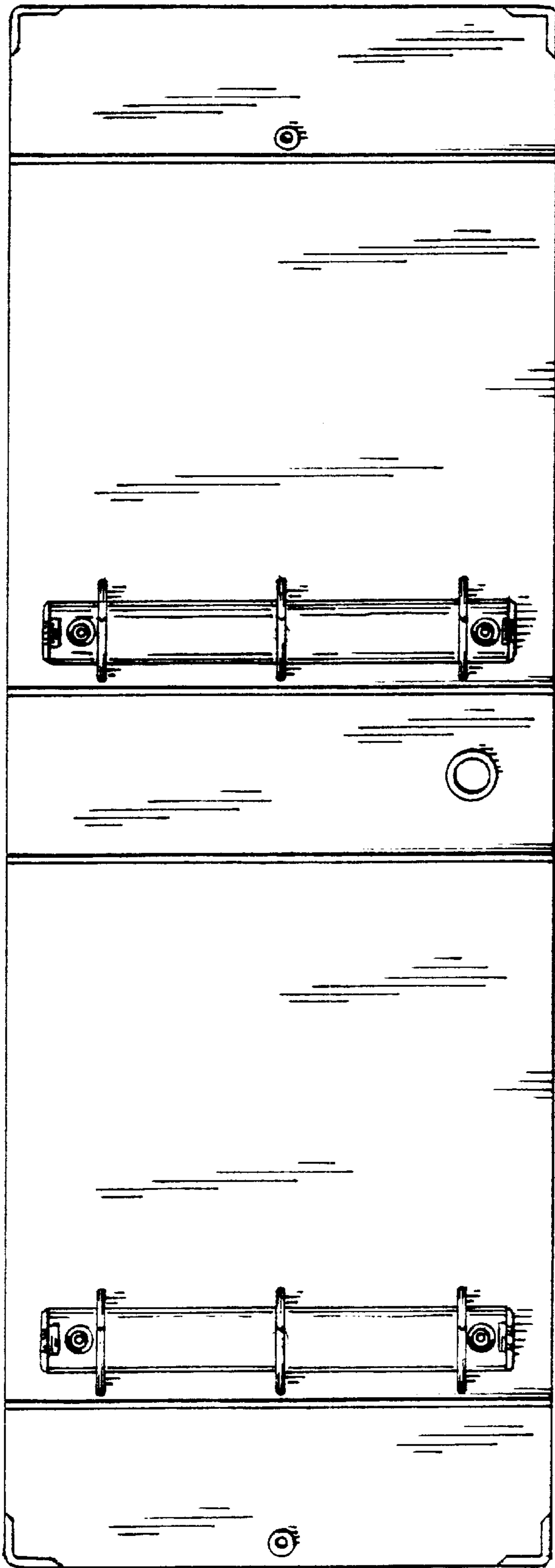


FIG. 9

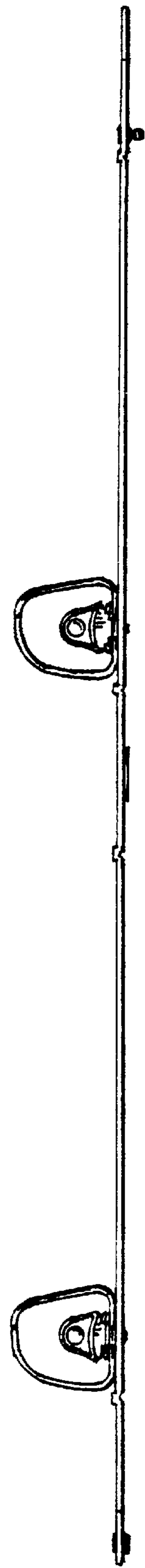


FIG. 10



FIG. 13

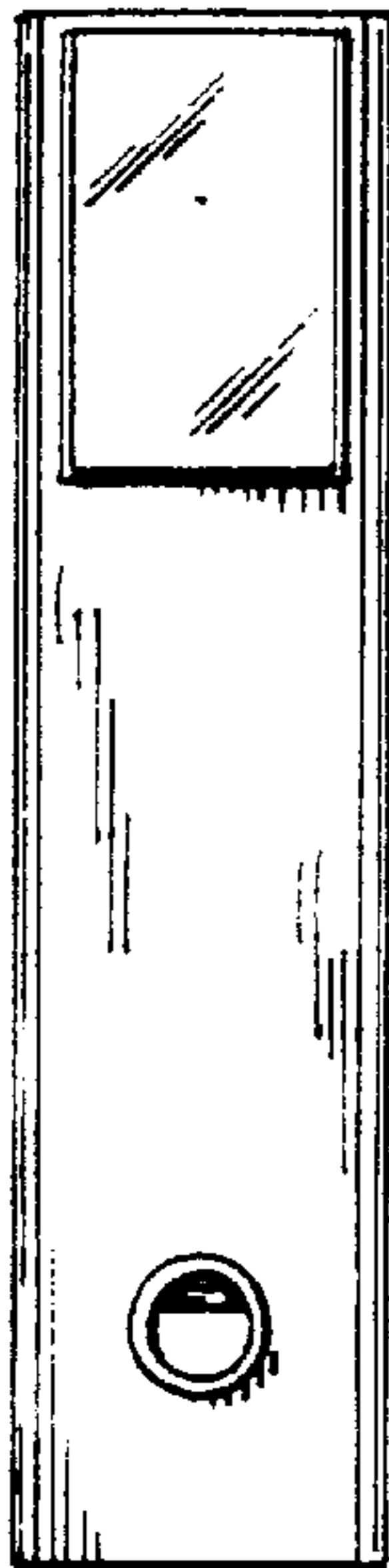


FIG. 11

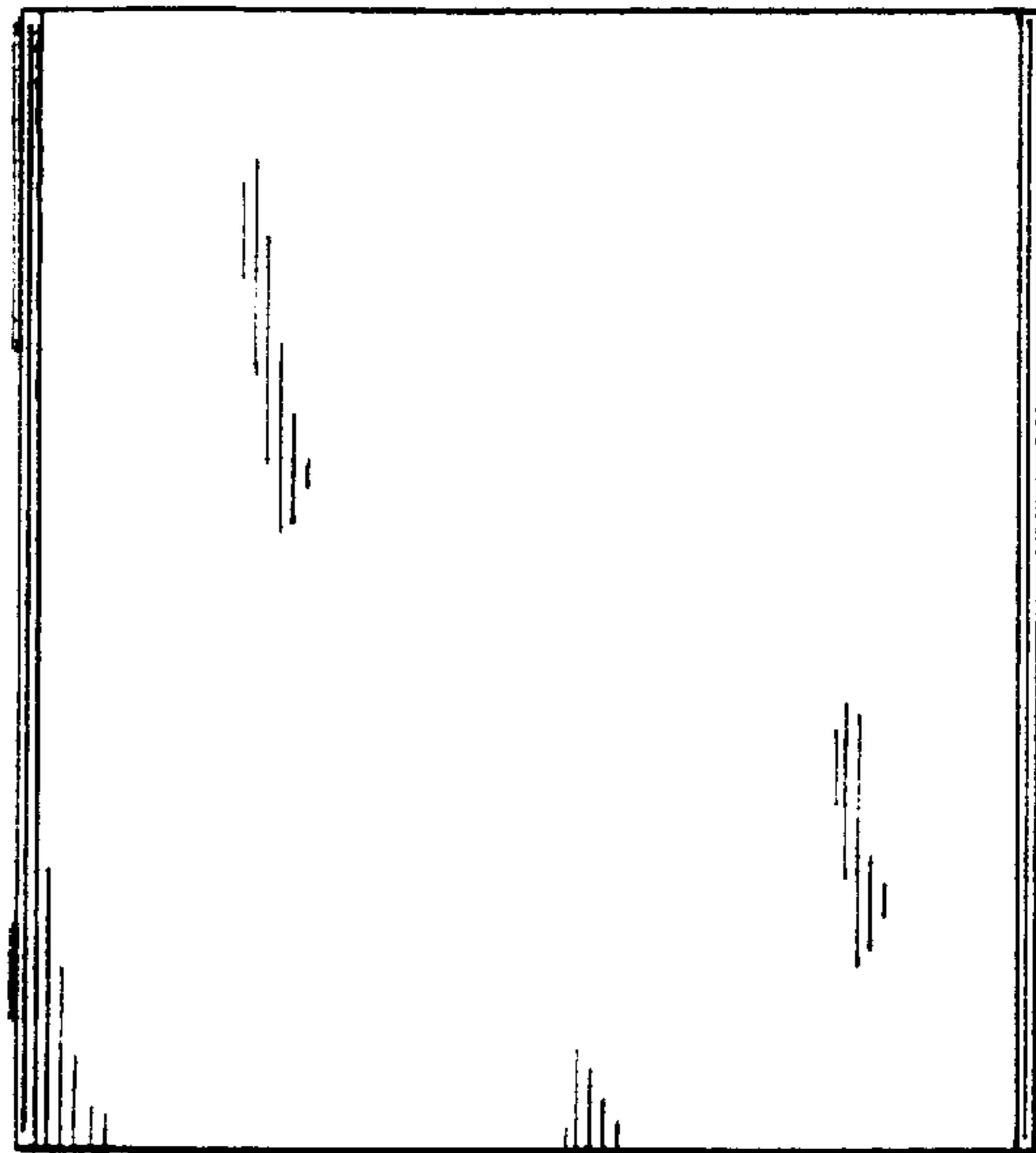


FIG. 12

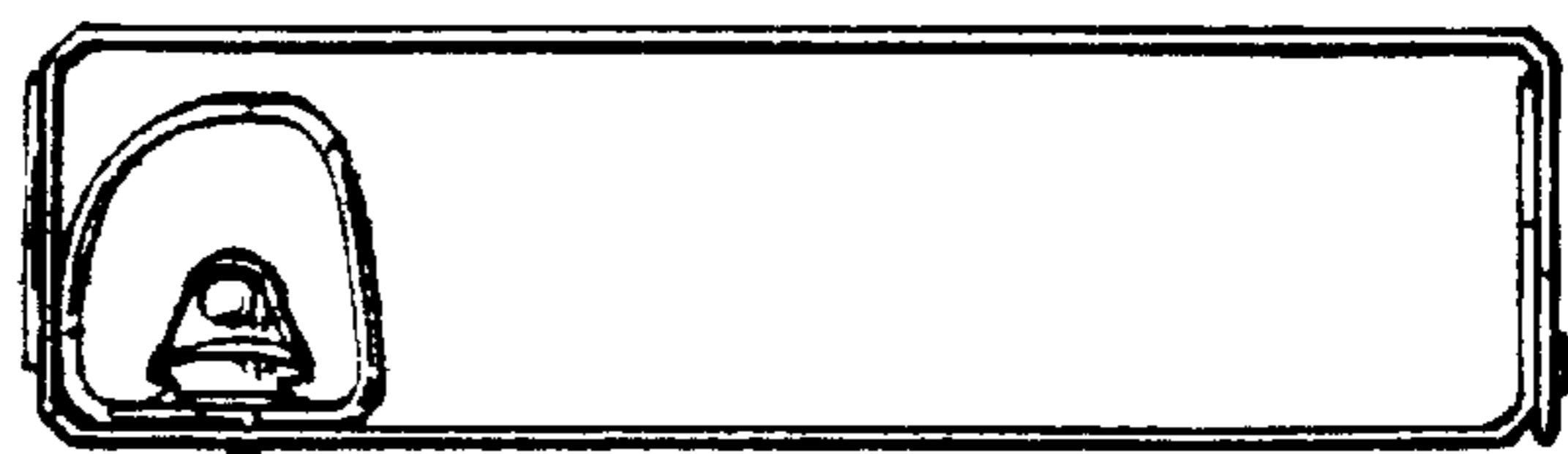


FIG. 14

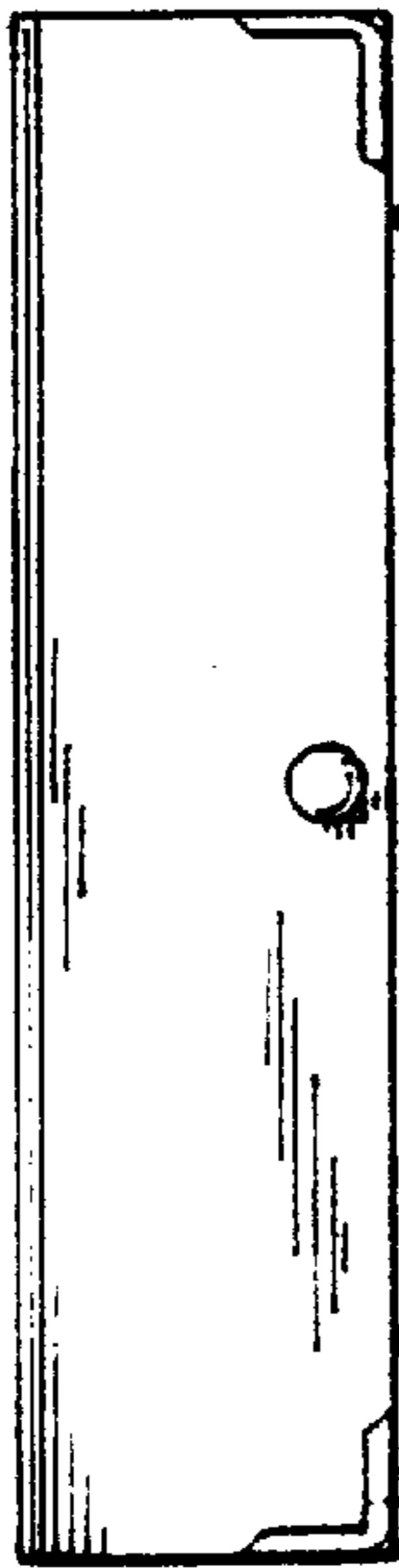


FIG. 15

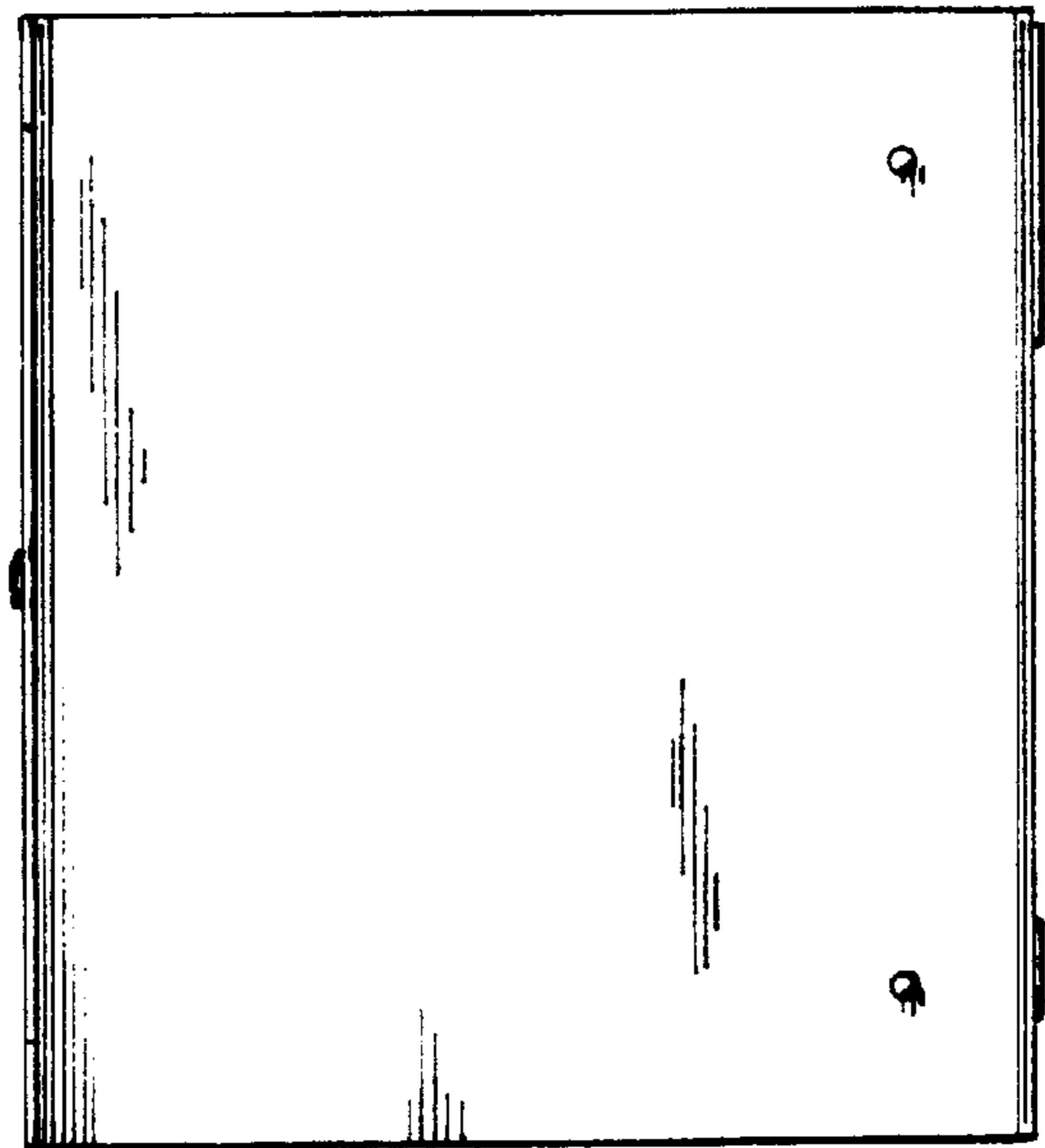


FIG. 16

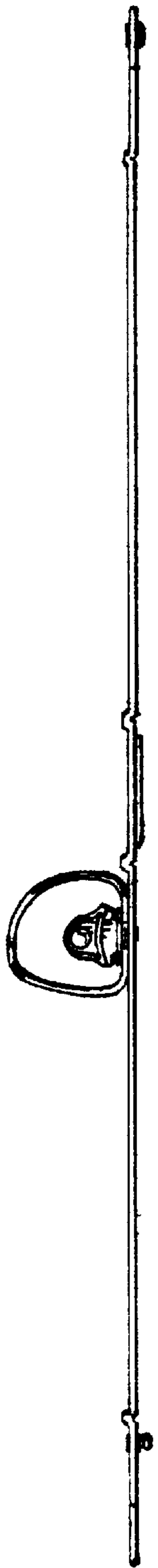


FIG. 17

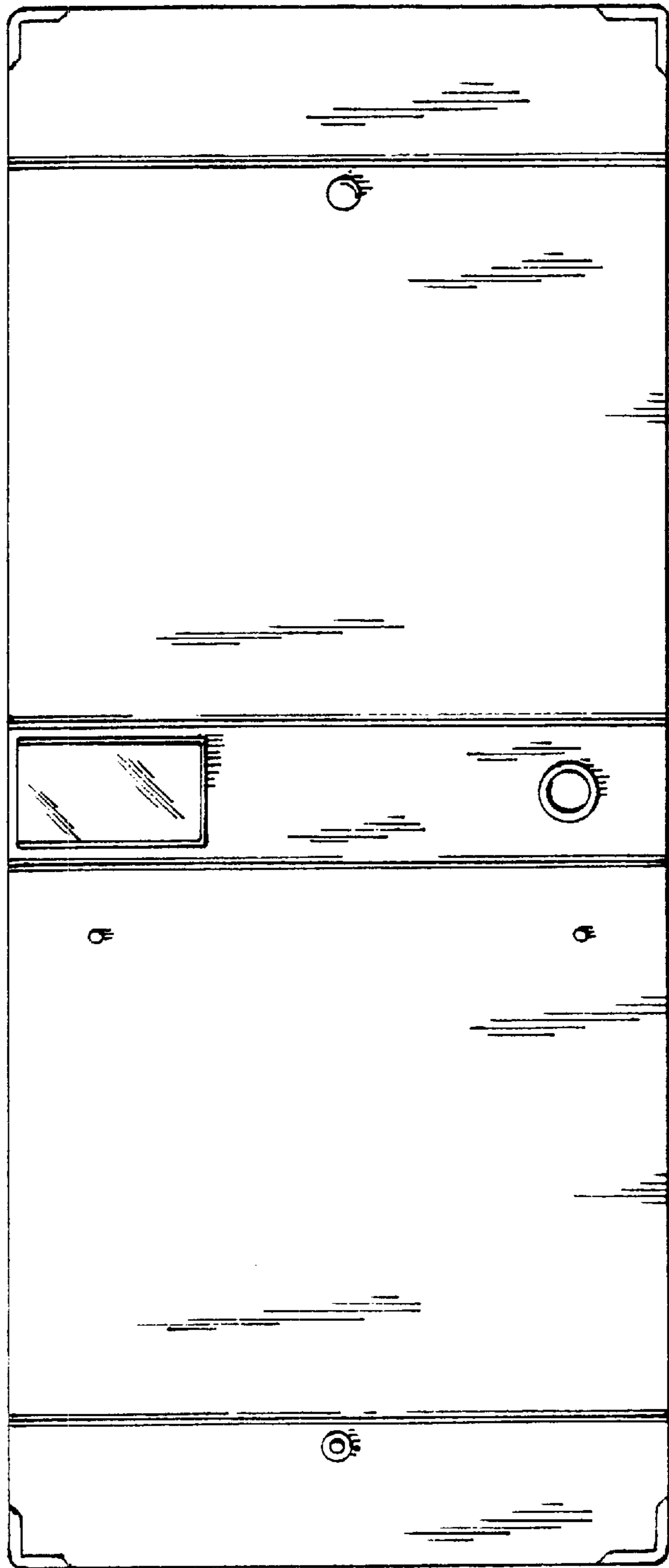


FIG. 18

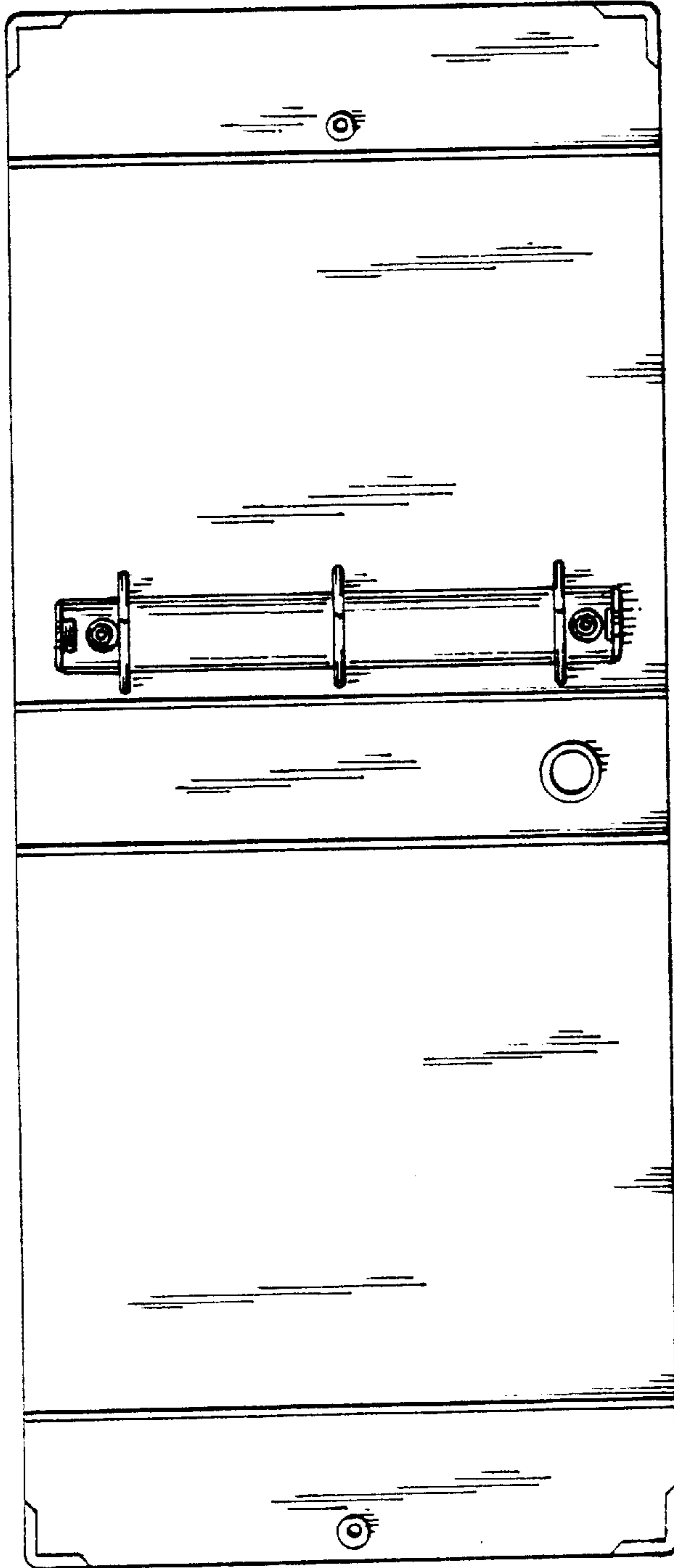


FIG. 19

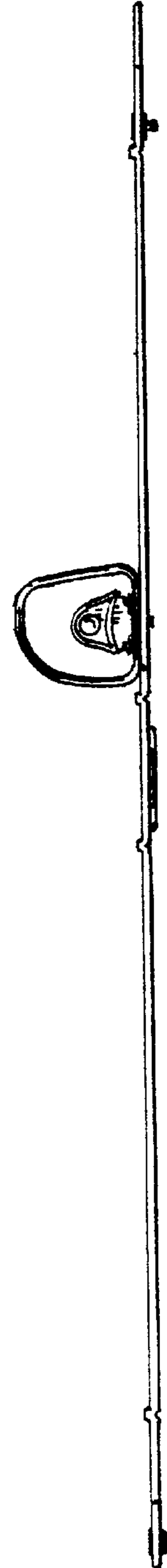


FIG. 20