



US00D458631S

(12) **United States Design Patent**
Pangburn et al.

(10) **Patent No.:** **US D458,631 S**

(45) **Date of Patent:** **** Jun. 11, 2002**

(54) **LOW PROFILE PRINTER**

(75) Inventors: **Thomas Eugene Pangburn; Peter Joseph Mendel; Jeffrey Ray Ehlert,**
all of Lexington, KY (US)

(73) Assignee: **Lexmark International, Inc.,**
Lexington, KY (US)

(**) Term: **14 Years**

(21) Appl. No.: **29/142,917**

(22) Filed: **Jun. 5, 2001**

(51) **LOC (7) Cl.** **14-02**

(52) **U.S. Cl.** **D18/55**

(58) **Field of Search** D18/50, 54-55,
D18/36-37; 400/613, 613.1-613.4, 691-694,
690.1-690.4

(56) **References Cited**

U.S. PATENT DOCUMENTS

D289,050 S	*	3/1987	Wilson et al.	D18/55
D289,167 S	*	4/1987	Otsuka	D18/54
D293,246 S	*	12/1987	Moore	D18/54
D311,206 S	*	10/1990	Sugimoto	D18/54
D318,871 S	*	8/1991	Takeda et al.	D18/36
D323,344 S	*	1/1992	Umino et al.	D18/54
D339,157 S	*	9/1993	Miyamoto et al.	D18/50

D340,065 S	*	10/1993	Fukuda	D18/50
D360,428 S	*	7/1995	Hayashihara	D18/50
D436,123 S	*	1/2001	Ito et al.	D18/54
6,276,852 B1		8/2001	Osmus		
6,280,018 B1		8/2001	Belon et al.		

OTHER PUBLICATIONS

Thomas Eugene Pangburn, "Lexmark Invention Disclosure No. LE8-97-0096," p. 8, (Apr. 21, 1997).

* cited by examiner

Primary Examiner—Cathy Anne MacCormac

(74) *Attorney, Agent, or Firm*—Elizabeth C. Jacobs

(57) **CLAIM**

The ornamental design for a low profile printer, as shown and described.

DESCRIPTION

FIG. 1 is a perspective view of a low profile printer showing our new design;

FIG. 2 is a front view thereof;

FIG. 3 is a left side view thereof;

FIG. 4 is a right side view thereof;

FIG. 5 is a top plan view thereof,

FIG. 6 is a rear view thereof; and,

FIG. 7 is a bottom plan view thereof.

1 Claim, 7 Drawing Sheets

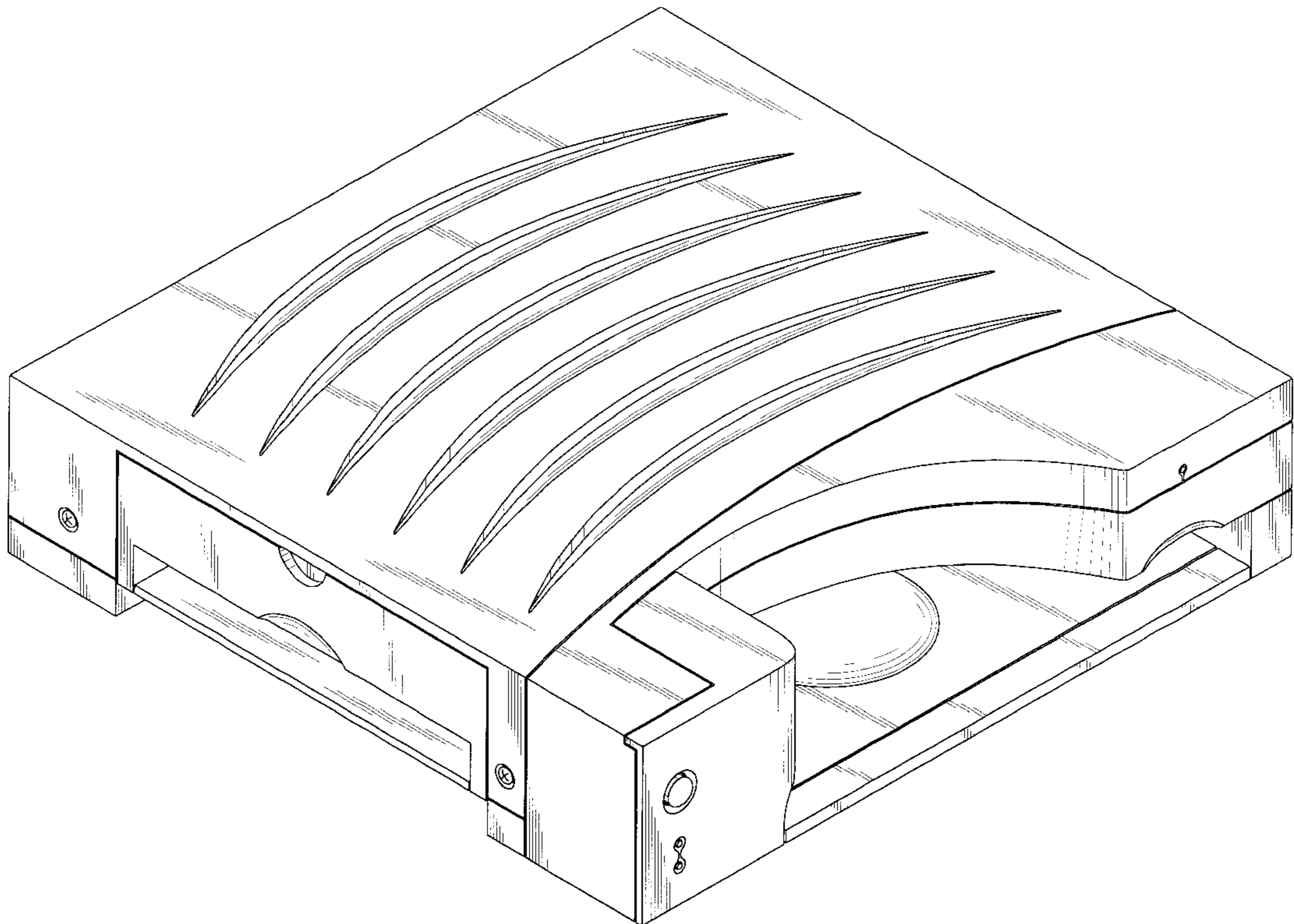


FIG. 1

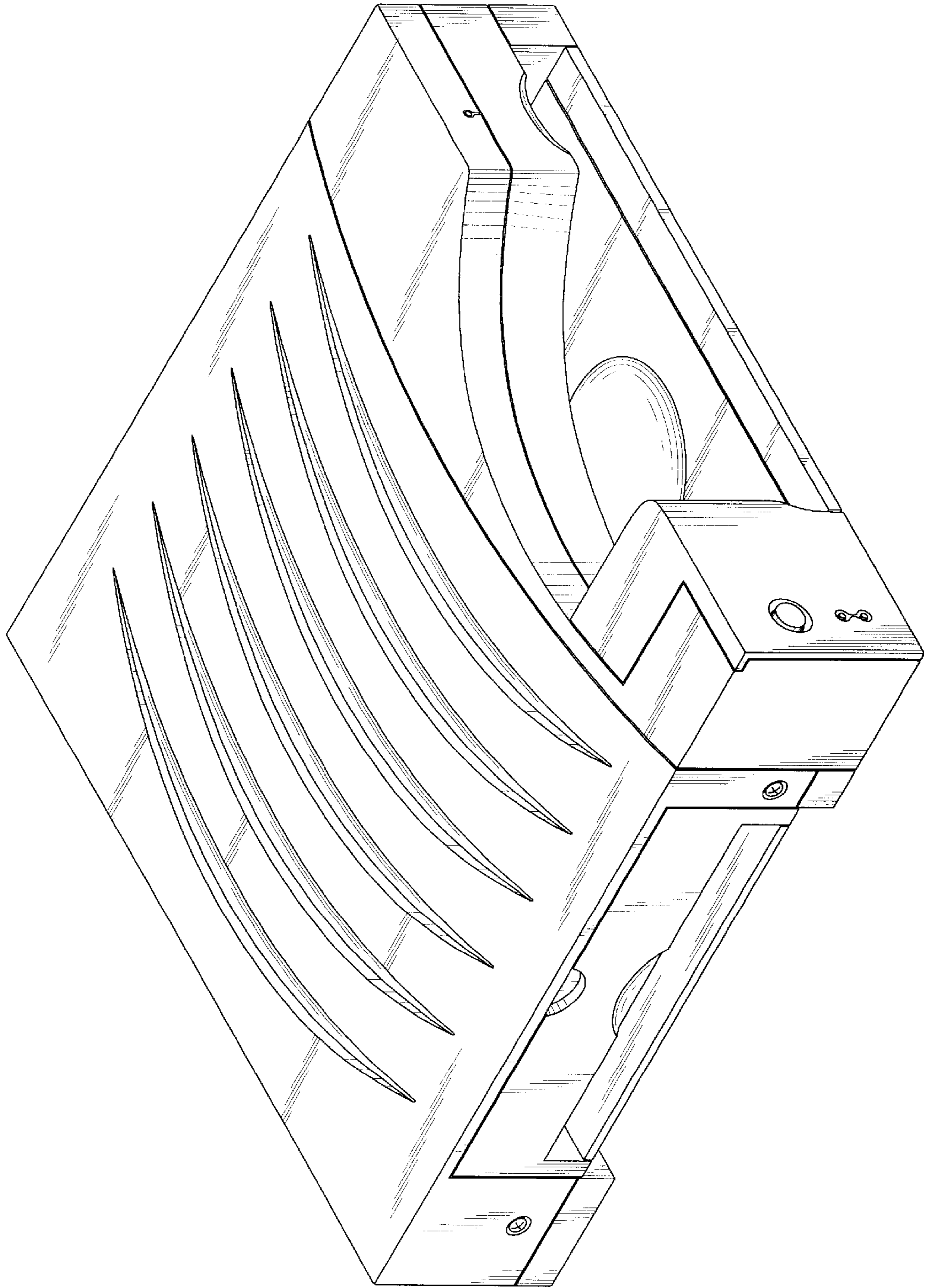


FIG. 2

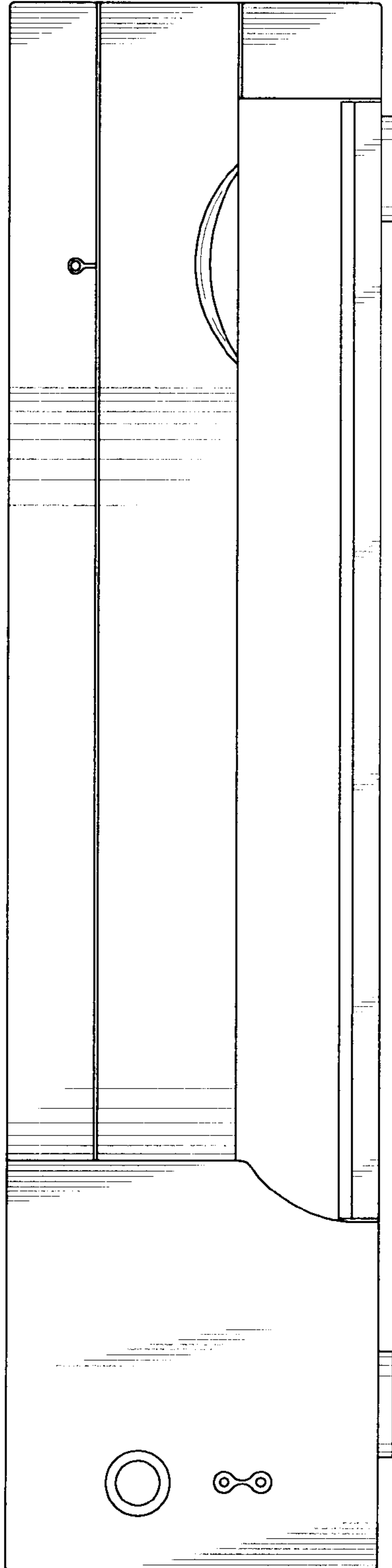


FIG. 3

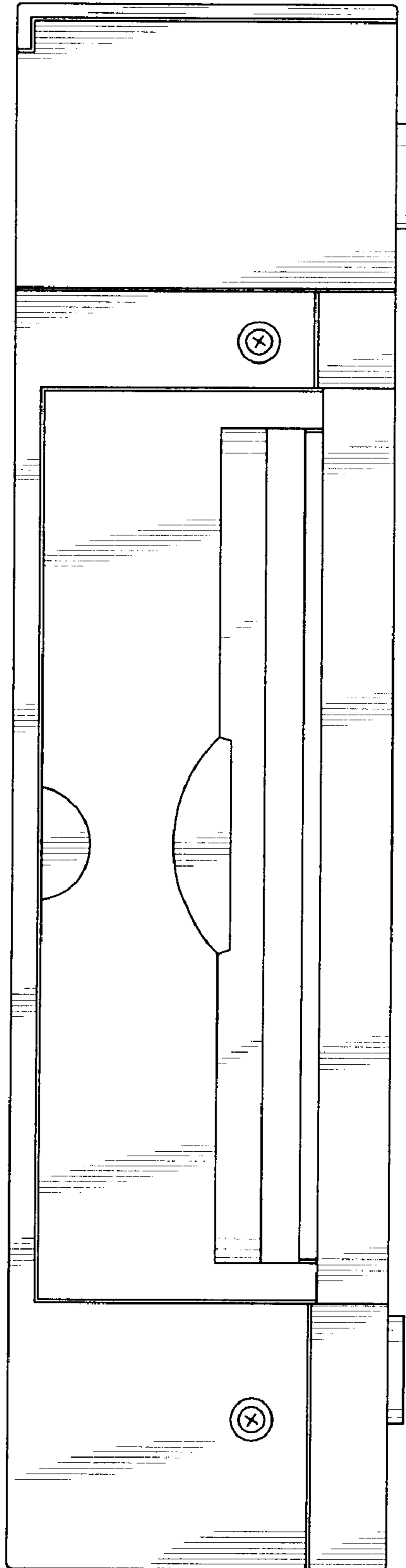


FIG. 4

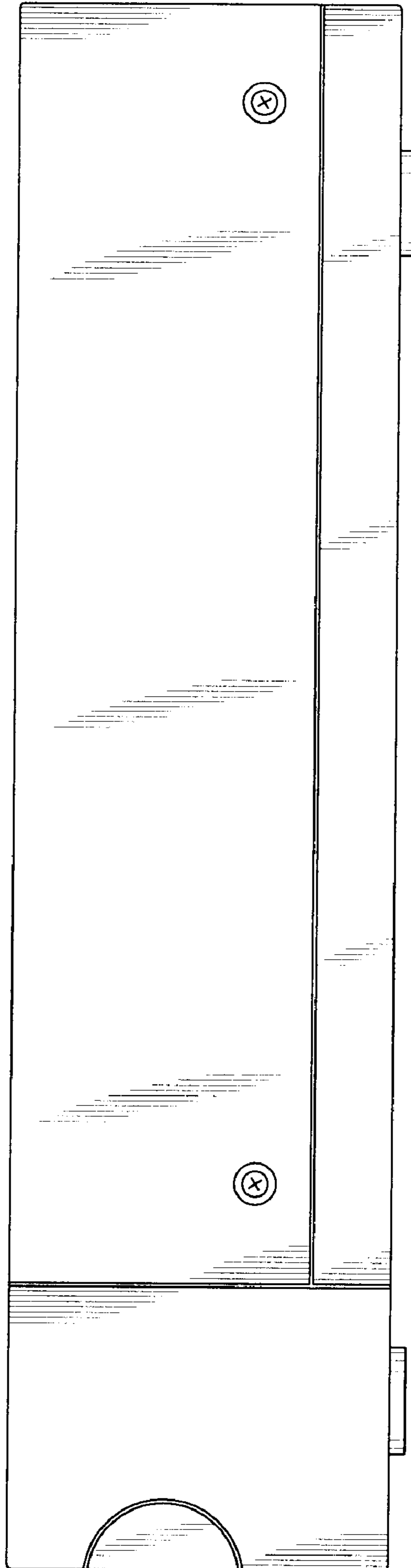


FIG. 5

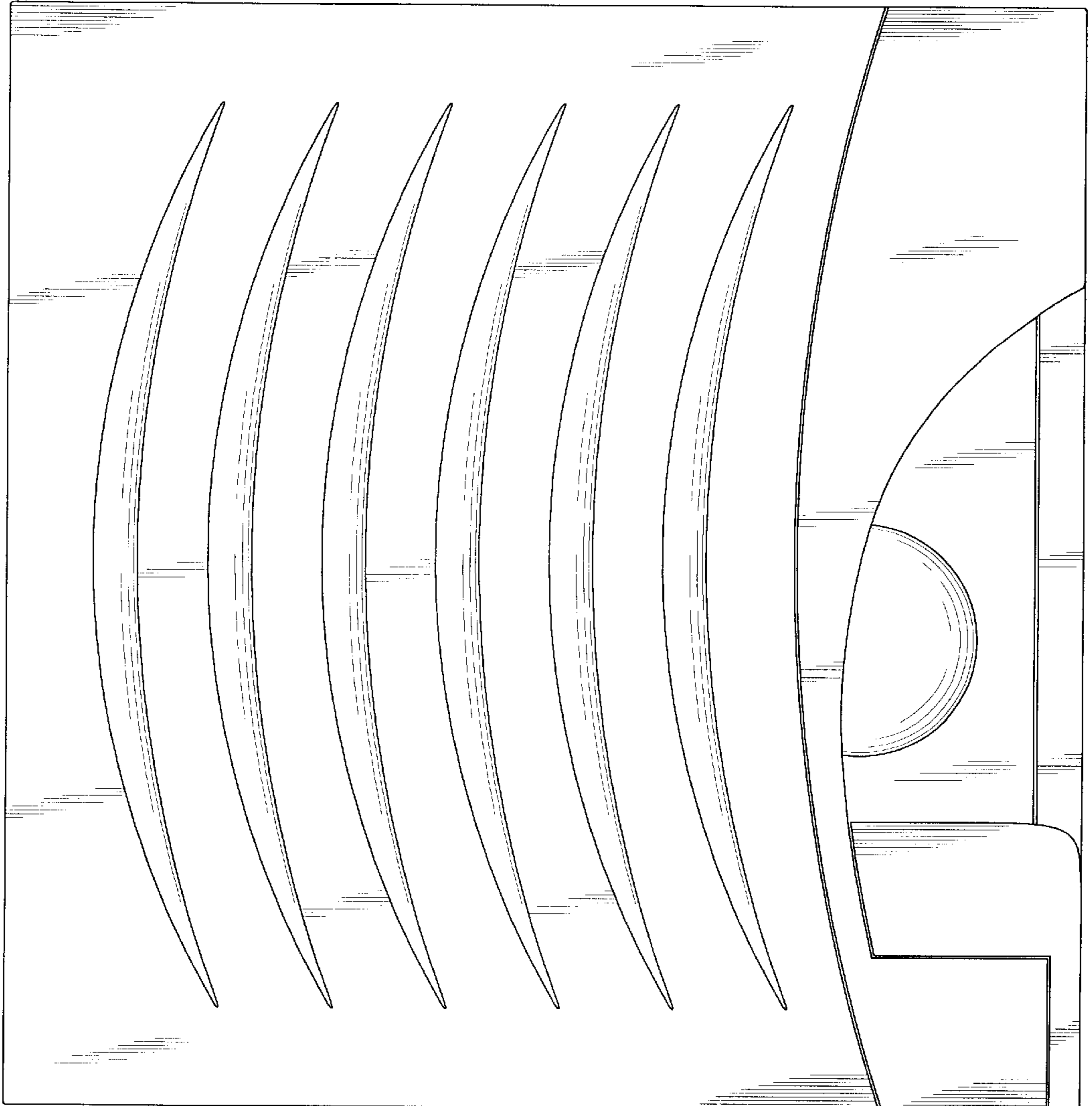


FIG. 6

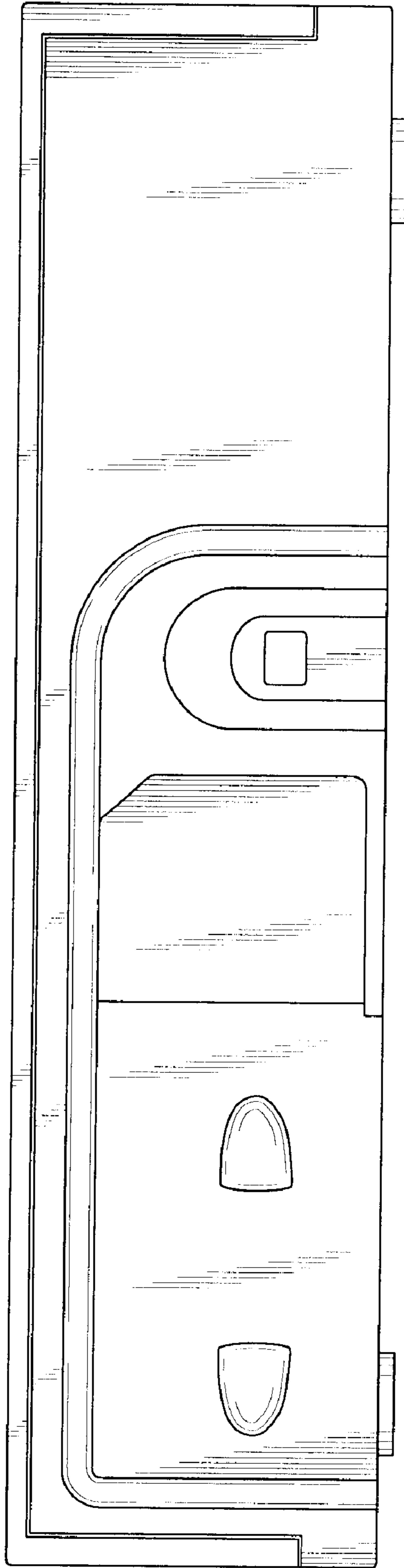


FIG. 7

