



US00D458625S

(12) **United States Design Patent**
Desbiez-Piat

(10) **Patent No.:** **US D458,625 S**

(45) **Date of Patent:** **** Jun. 11, 2002**

(54) **HOUSING OF A SPECTACLE ELASTIC HINGE**

D407,624 S * 4/1999 Ehrig D8/323
6,027,215 A * 2/2000 Hsu 351/113

(75) Inventor: **Christophe Desbiez-Piat,**
Rambervillers (FR)

* cited by examiner

Primary Examiner—Raphael Baraki

(73) Assignee: **Chevassus S.A.,** Morez Cedex (FR)

(74) *Attorney, Agent, or Firm*—Henderson & Sturm LLP

(**) Term: **14 Years**

(57) **CLAIM**

(21) Appl. No.: **29/132,122**

The ornamental design for a housing of a spectacle elastic hinge, as shown and described.

(22) Filed: **Nov. 1, 2000**

DESCRIPTION

(30) **Foreign Application Priority Data**

May 5, 2000 (FR) 00 2910

A portion of the disclosure of this patent document, including appendices, may contain material which is subject to copyright protection. The copyright owner has no objection to the facsimile reproduction by anyone of the patent document or the patent disclosure, as it appears in the Patent and Trademark Office patent file or records, but otherwise reserves all copyright rights whatsoever.

(51) **LOC (7) Cl.** **16-06**

(52) **U.S. Cl.** **D16/334; D16/330**

(58) **Field of Search** D16/300–330,
D16/334, 335; D8/323, 327; 351/41, 44,
51, 52, 111, 113, 119, 121, 140, 153, 158

FIG. 1 is a perspective view of a housing of a spectacle elastic hinge showing my new design;

FIG. 2 is a front view thereof, the rear view being a mirror image of the FIG. 2 view;

FIG. 3 is a right side view thereof;

FIG. 4 is a bottom view thereof;

FIG. 5 is a left side view thereof; and,

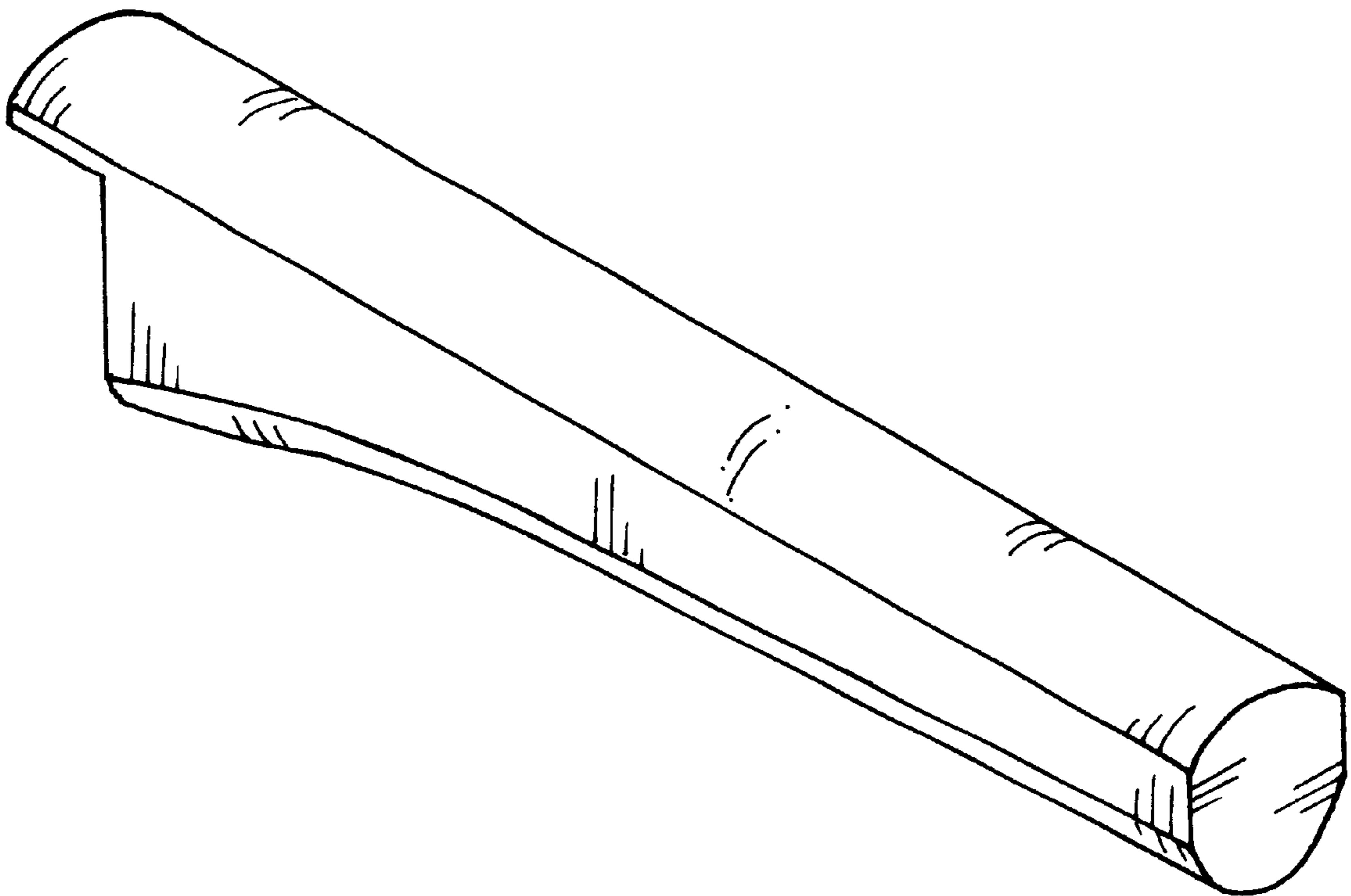
FIG. 6 is a top view thereof.

(56) **References Cited**

U.S. PATENT DOCUMENTS

D285,452 S * 9/1986 Tabacchi D16/334
5,406,339 A * 4/1995 Chen 351/153
5,473,395 A * 12/1995 Huang 351/121
5,835,185 A * 11/1998 Kallman 351/113
5,889,575 A * 3/1999 Wang 351/153

1 Claim, 2 Drawing Sheets



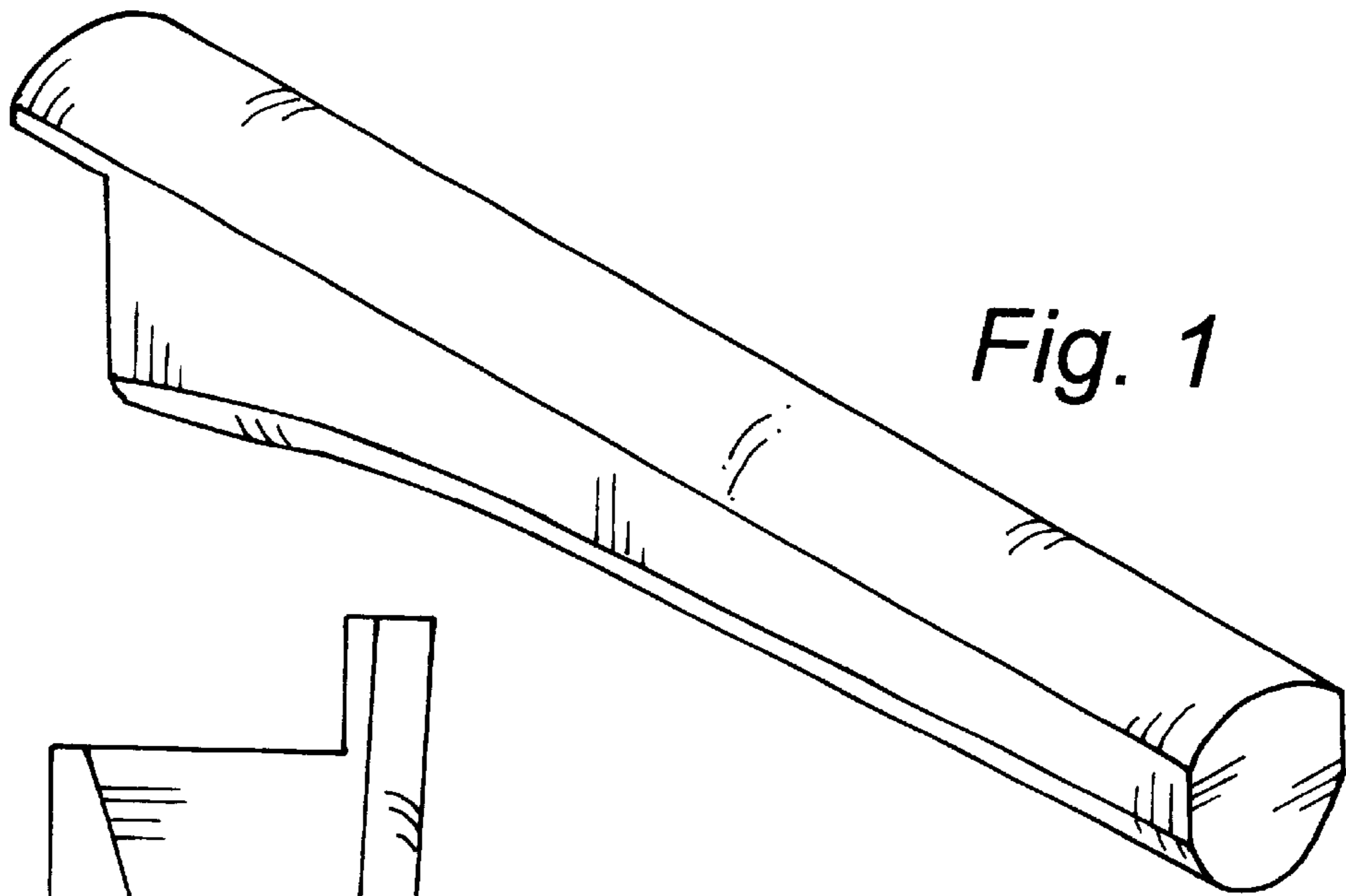


Fig. 1

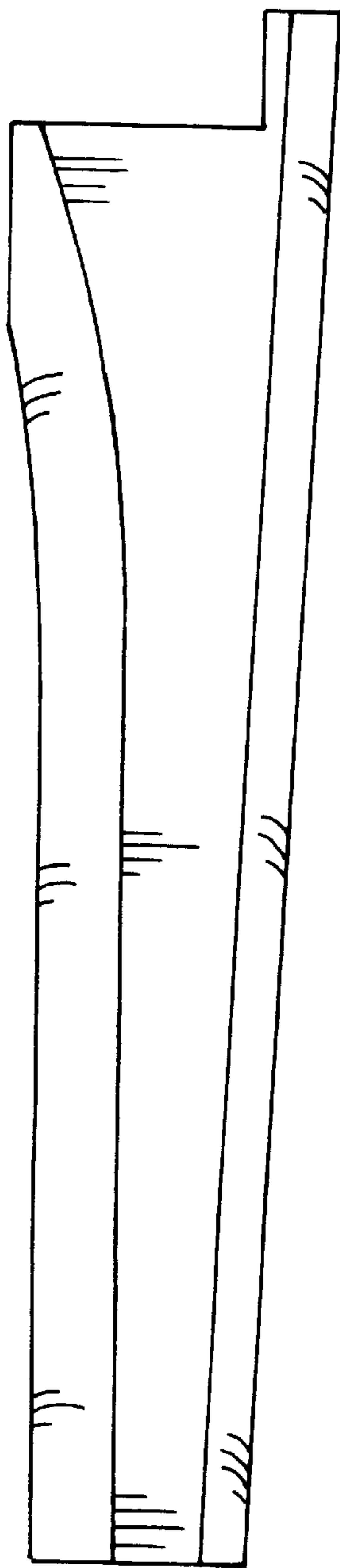


Fig. 2



Fig. 3

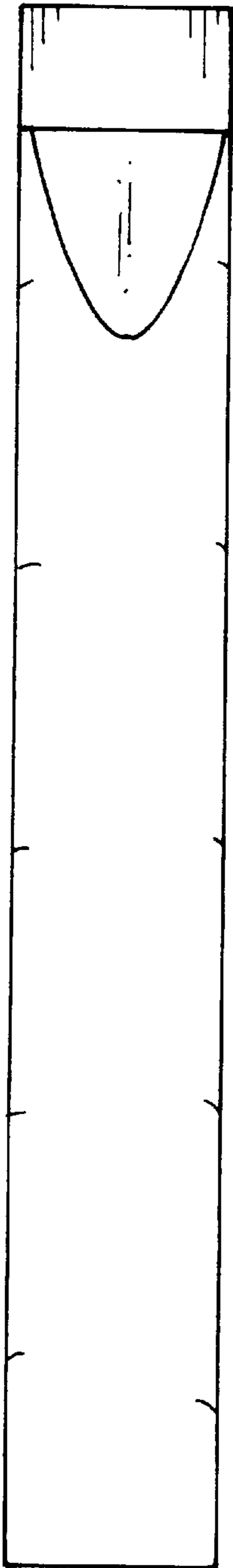


Fig. 4

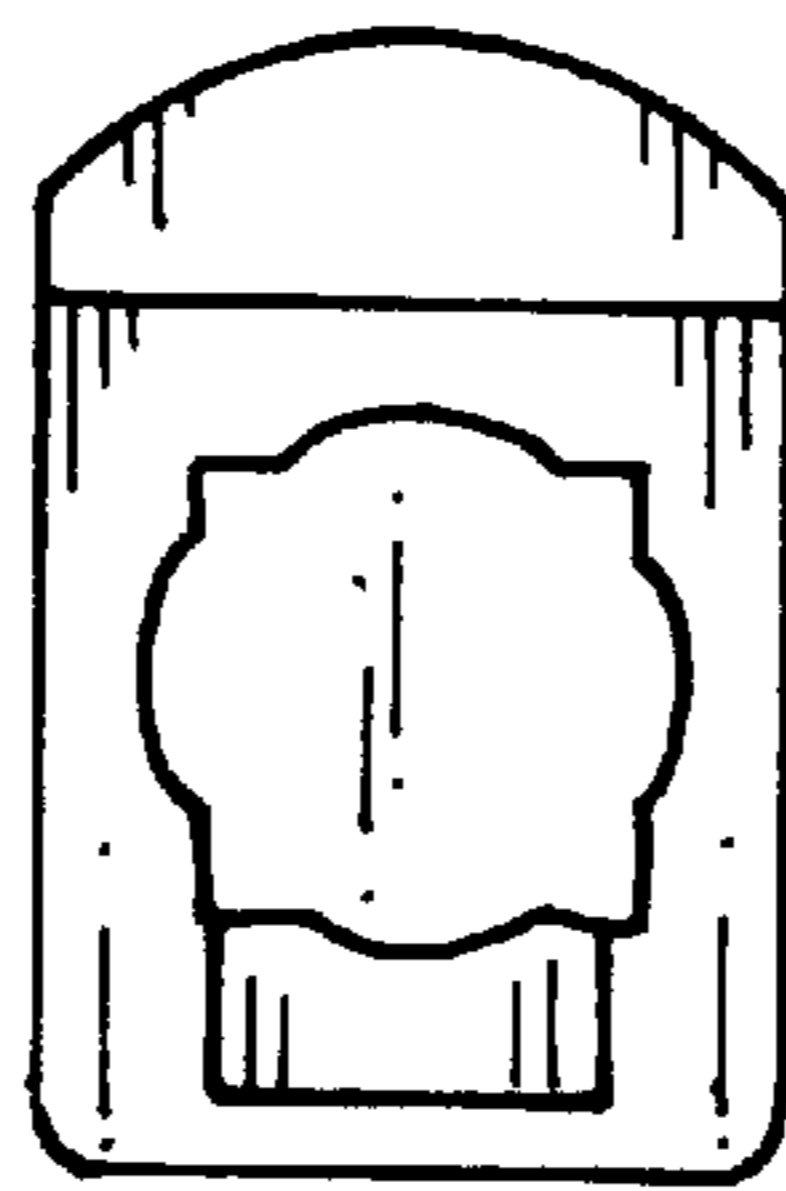


Fig. 5

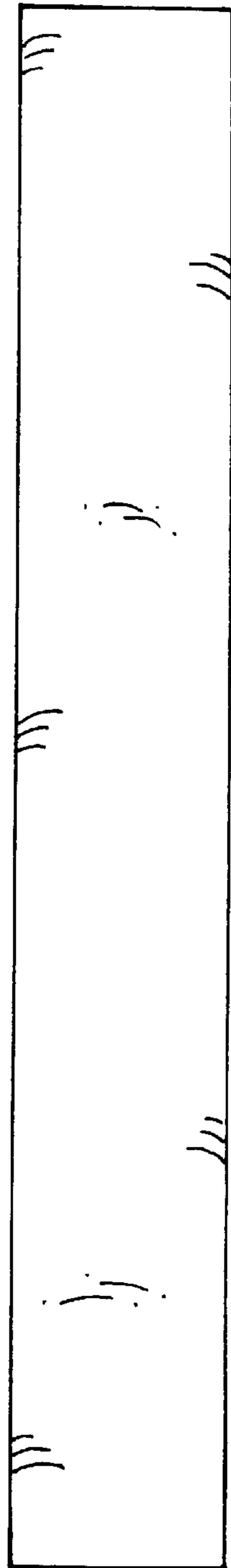


Fig. 6