



US00D458622S

(12) **United States Design Patent**
Nagase

(10) **Patent No.:** **US D458,622 S**
(45) **Date of Patent:** **** Jun. 11, 2002**

(54) **MONITOR TV CAMERA WITH TURNING STAND**

(75) Inventor: **Koji Nagase**, Hachioji (JP)
(73) Assignee: **Kabushiki Kaisha Toshiba** (JP)
(**) Term: **14 Years**

(21) Appl. No.: **29/149,267**
(22) Filed: **Oct. 9, 2001**

(30) **Foreign Application Priority Data**

May 11, 2001 (JP) 2001-013522

(51) **LOC (7) Cl.** **16-01**
(52) **U.S. Cl.** **D16/203**
(58) **Field of Search** D16/200-205,
D16/208, 218, 242; 348/14.01-14.09, 14.1,
143, 373-376; 396/535-541, 427, 428

(56) **References Cited**

U.S. PATENT DOCUMENTS

3,285,151	A	*	11/1966	Black	348/143
D272,541	S	*	2/1984	Schlagheck et al.	D16/214
D315,742	S	*	3/1991	Matsumoto	D16/205
5,631,699	A	*	5/1997	Saito	348/143
5,633,681	A	*	5/1997	Baxter et al.	348/373
5,808,663	A	*	9/1998	Okaya	348/14.1
D446,535	S	*	8/2001	Chang	D16/203

OTHER PUBLICATIONS

Hibino Telpa Catalog, PTC-EP-RC100, dated Oct. 22, 2000.
Mitsubishi Electric Catalog, CIT-7010/7110, dated Feb. 9, 2000.
Sony Catalog, FC13E/U, dated Jan. 24, 2000.
Fujitsu General Catalog, RS-187, Dated Oct. 22, 2000.
Elmo Catalog, PTH-10, dated Nov. 23, 2000.

* cited by examiner

Primary Examiner—Adir Aronovich

(74) *Attorney, Agent, or Firm*—Banner & Witcoff, Ltd.

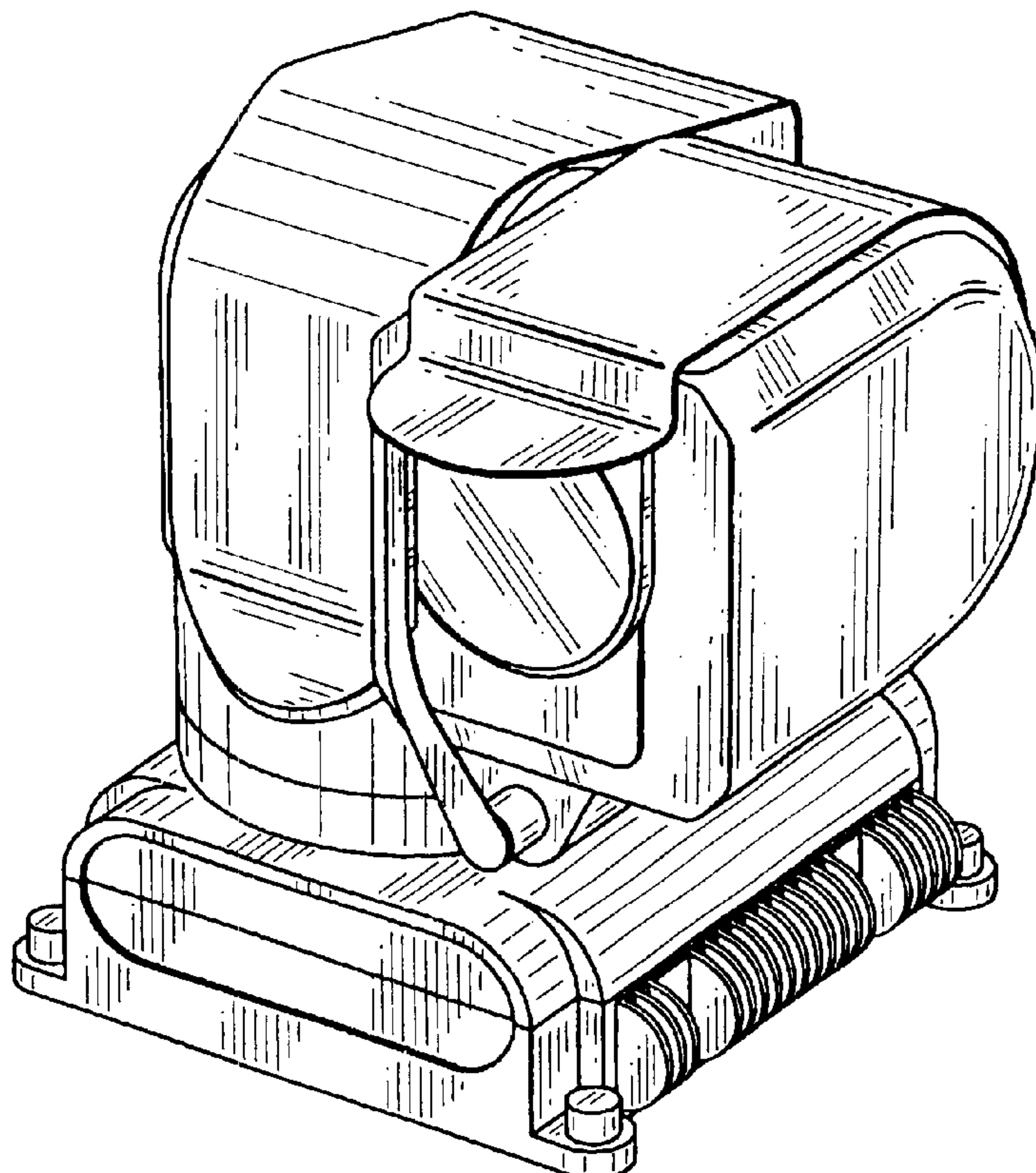
(57) **CLAIM**

The ornamental design for a monitor TV camera with turning stand, as shown.

DESCRIPTION

FIG. 1 is a front, top and right side perspective view of a monitor TV camera with turning stand, showing my new design;
FIG. 2 is a front elevational view thereof;
FIG. 3 is a rear elevational view thereof;
FIG. 4 is a top plan view thereof;
FIG. 5 is a bottom plan view thereof;
FIG. 6 is a right side elevational view thereof; and,
FIG. 7 is a left side elevational view thereof.

1 Claim, 4 Drawing Sheets



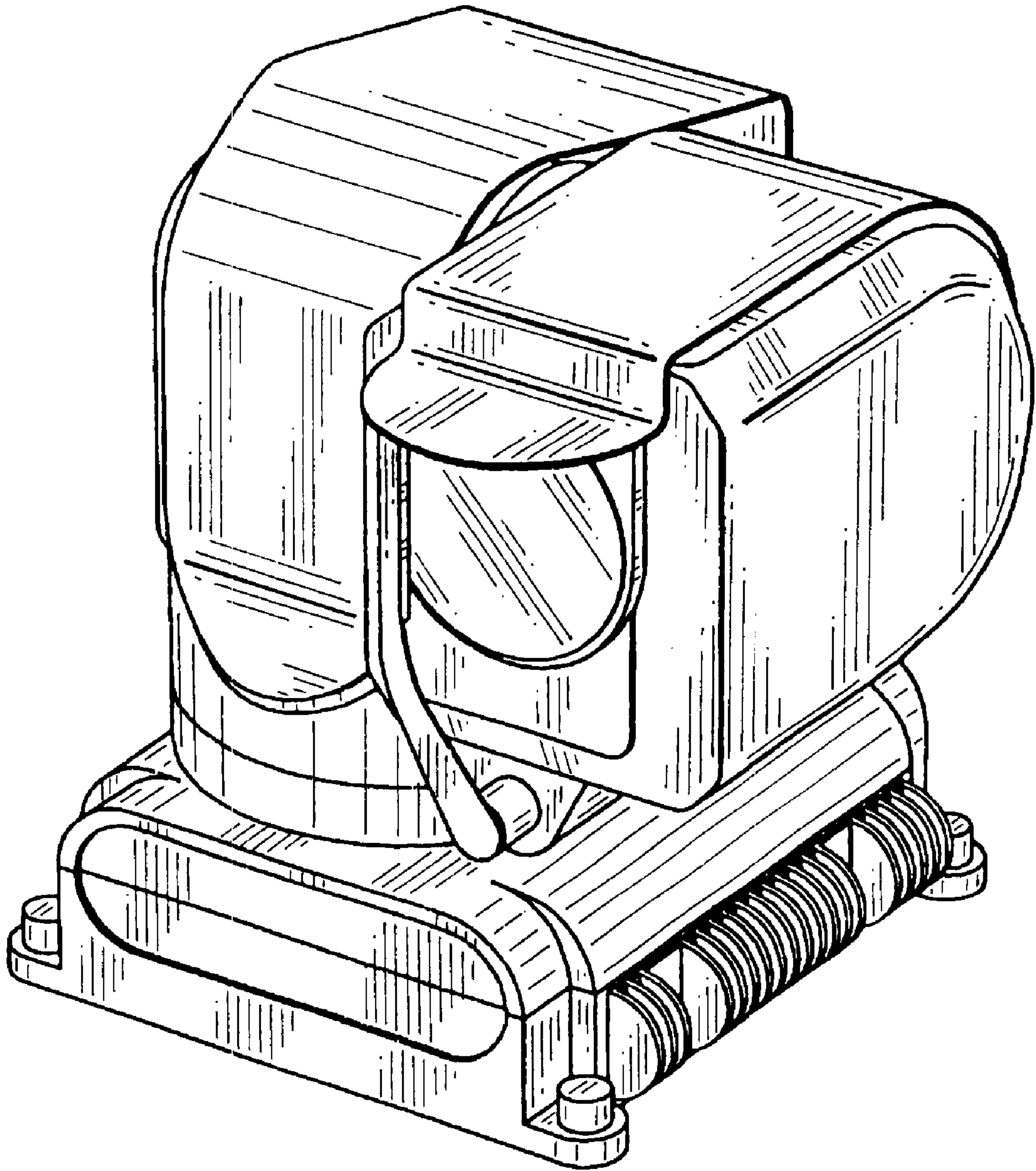


Fig. 1

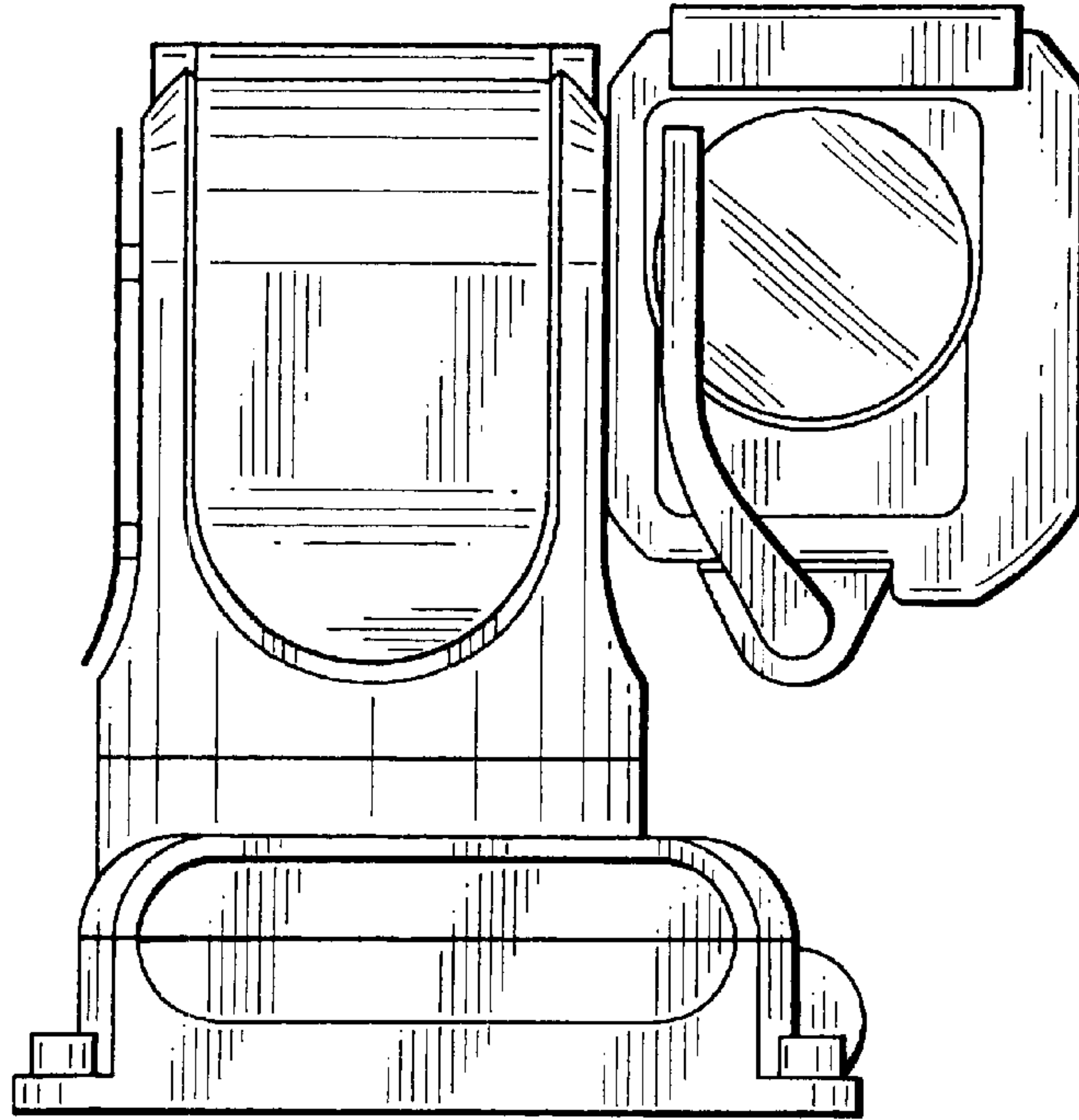


Fig. 2

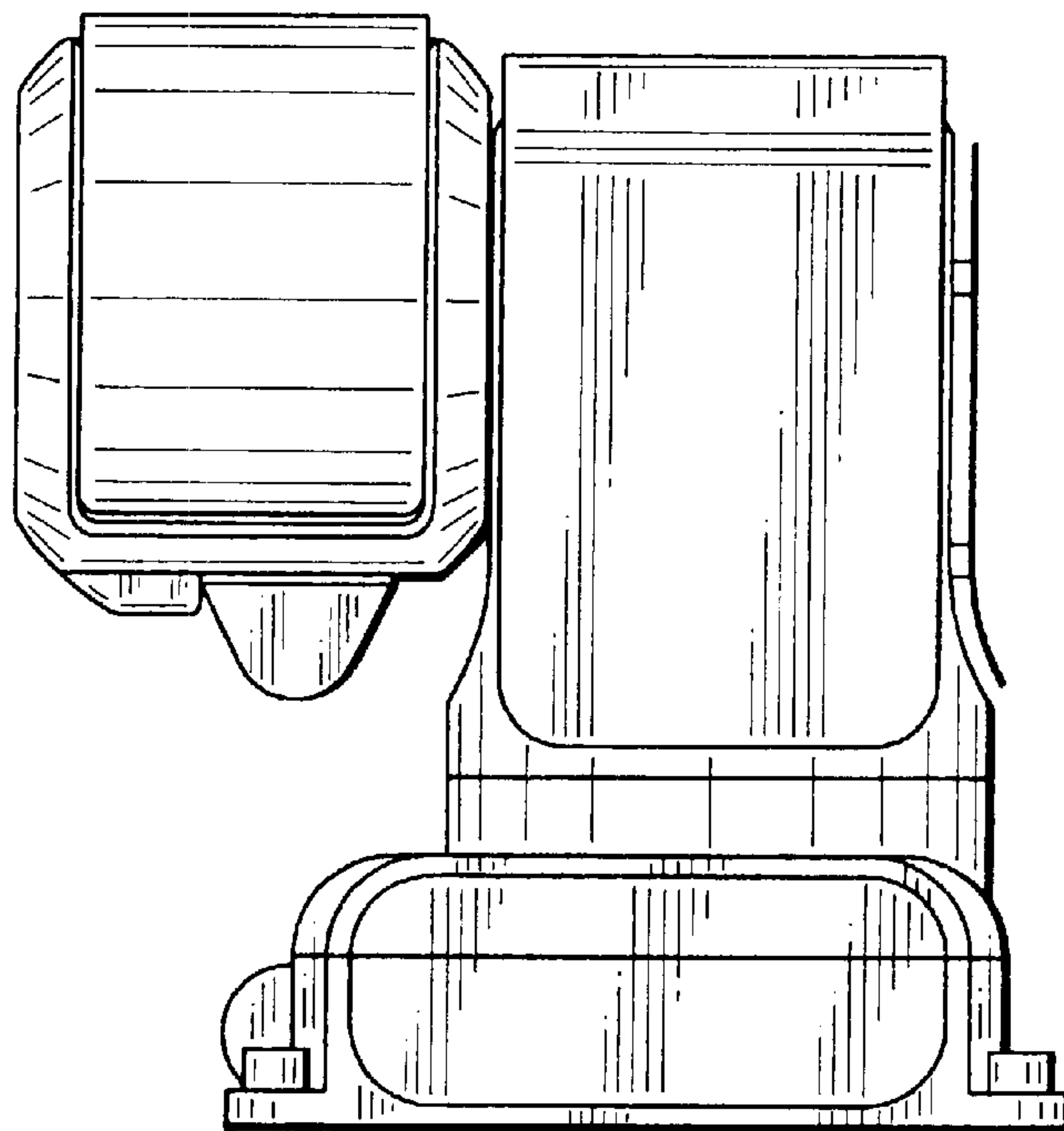


Fig. 3

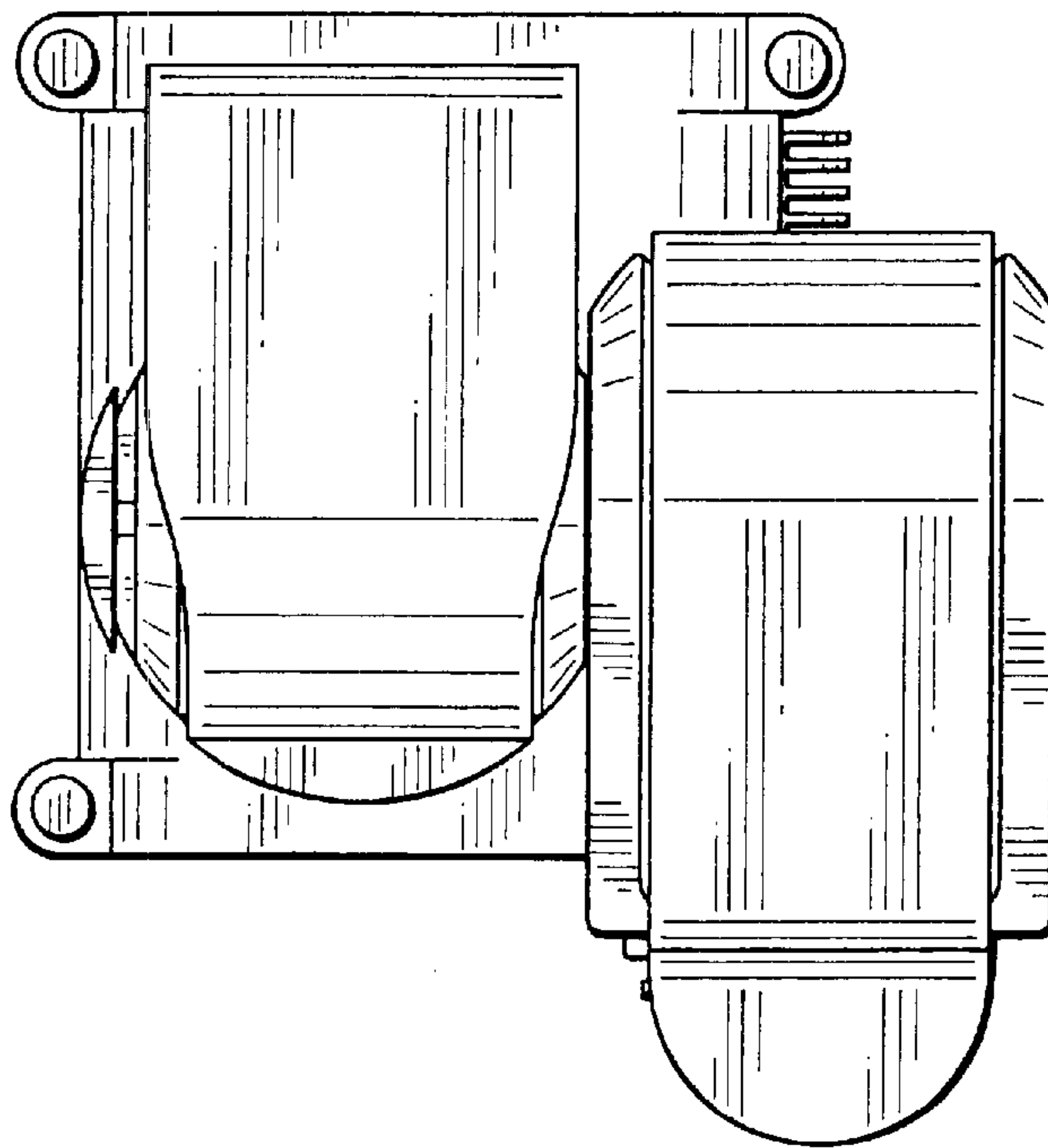


Fig. 4

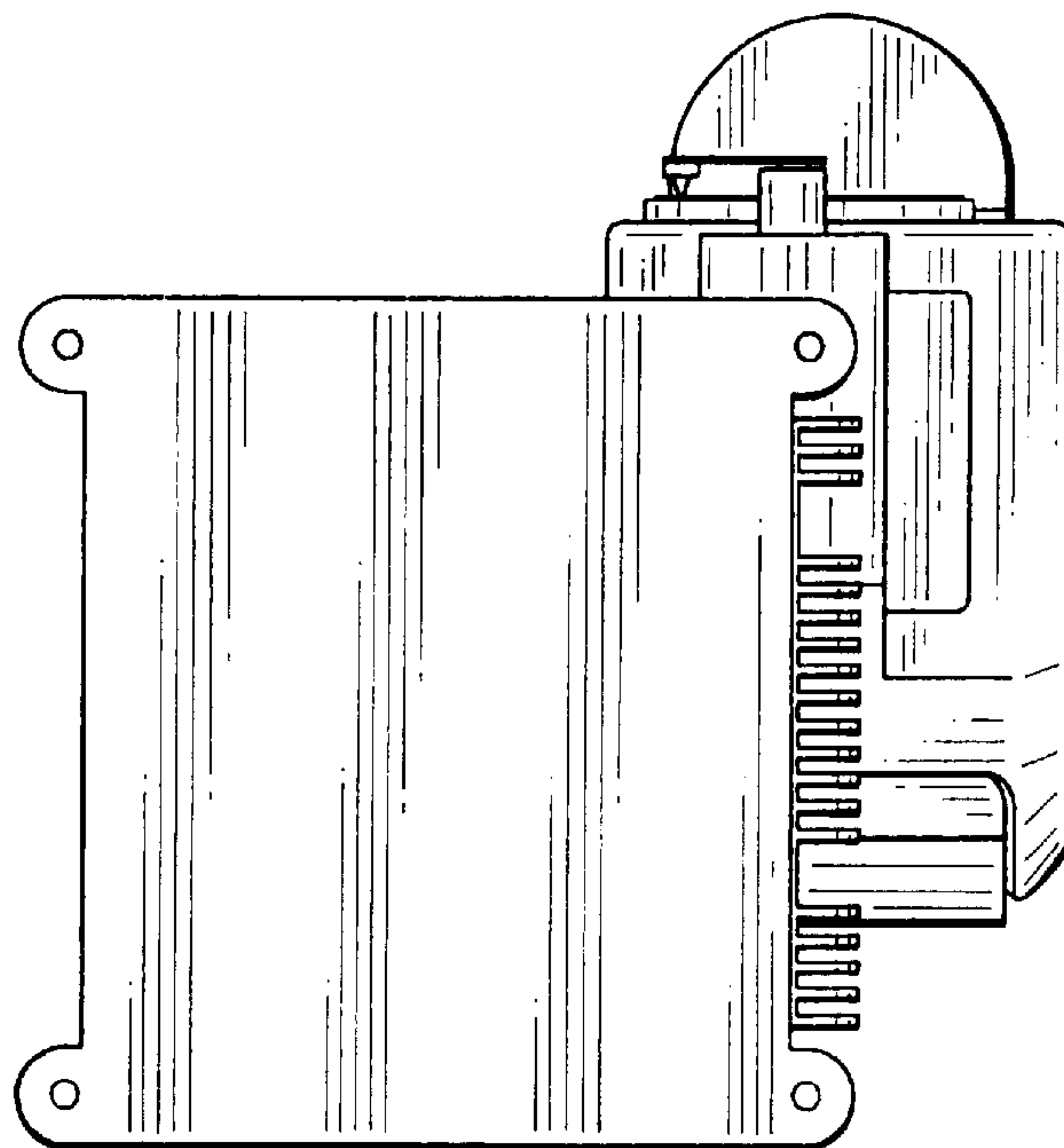


Fig. 5

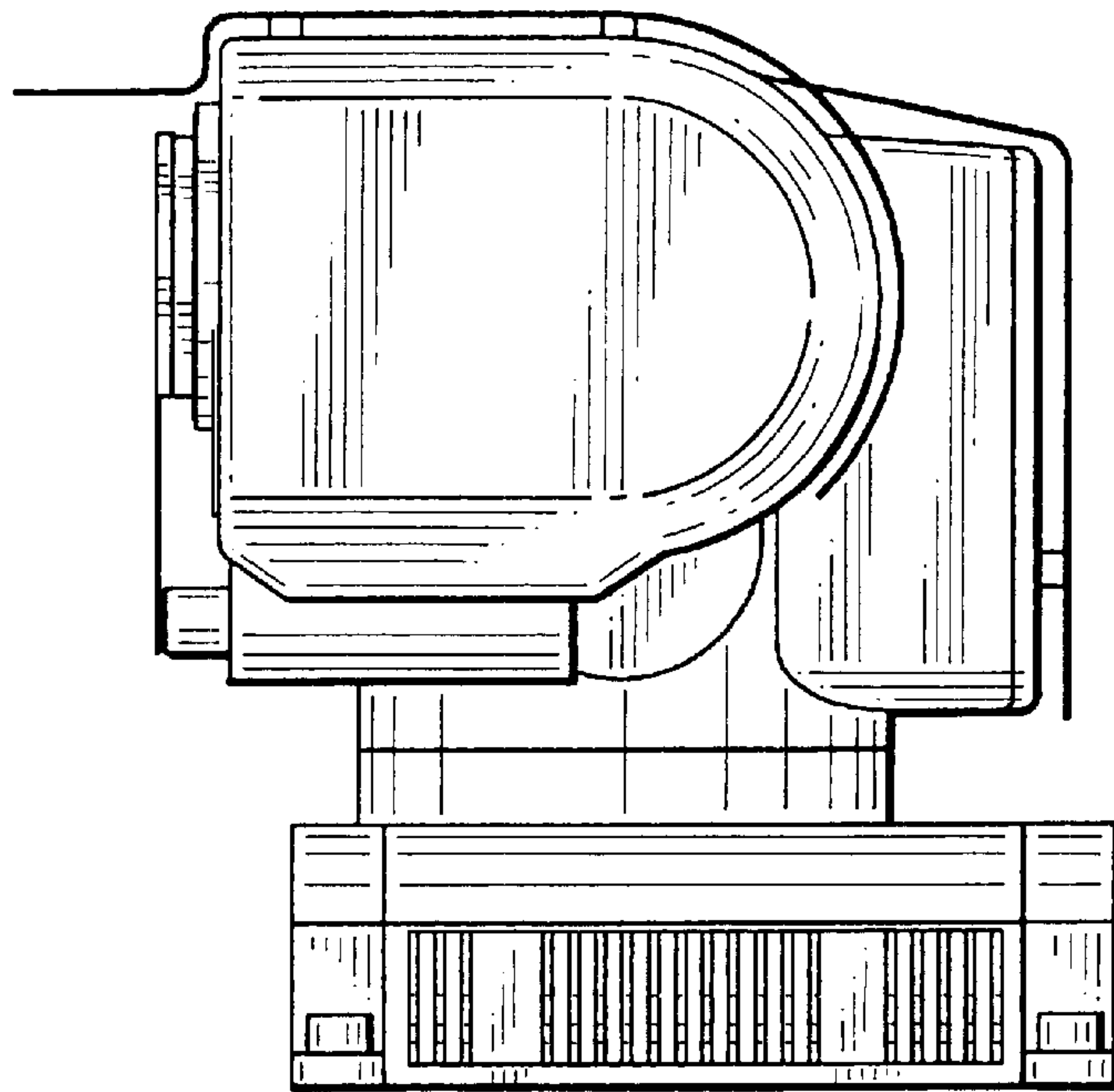


Fig. 6

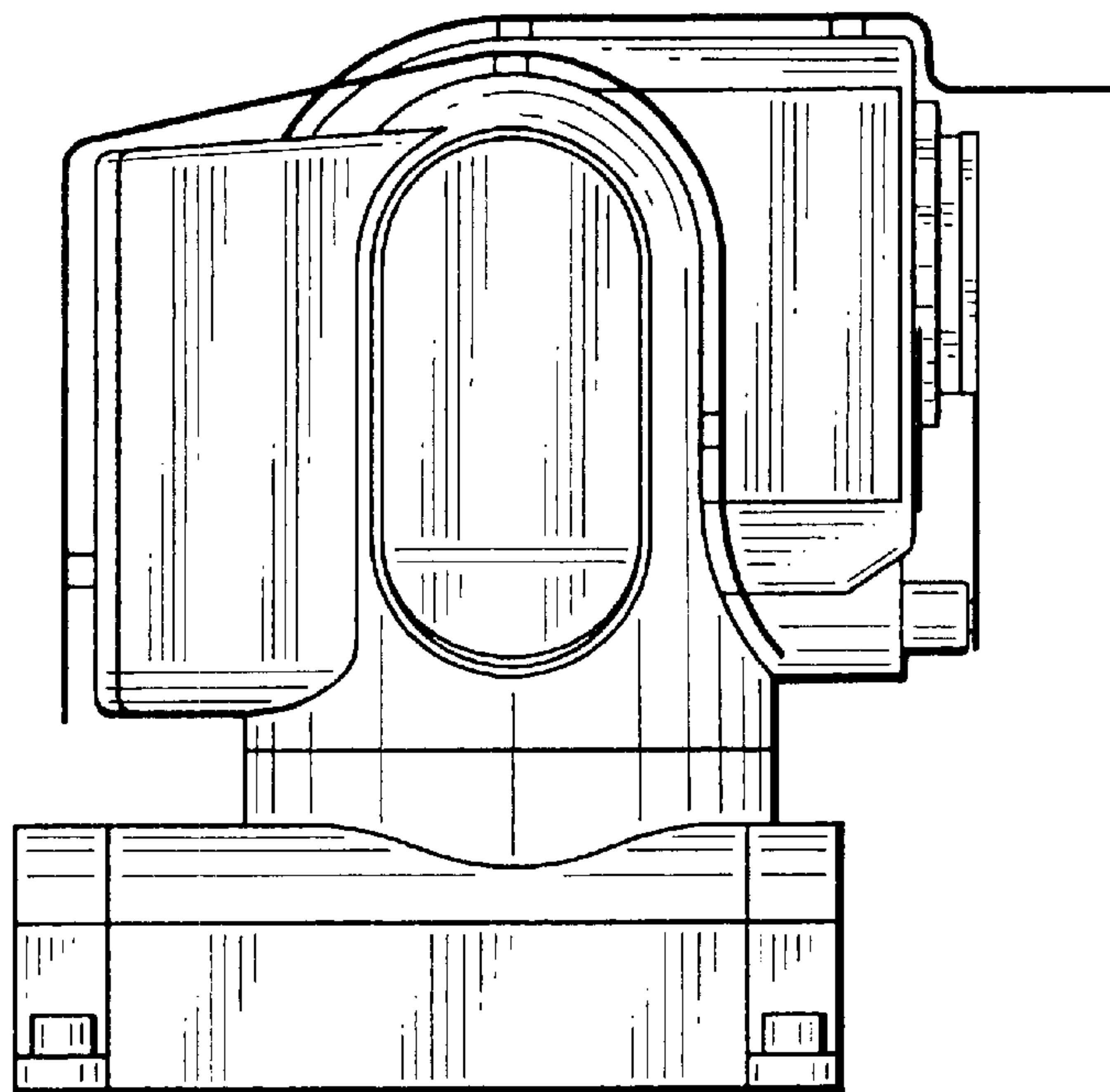


Fig. 7