



US00D458621S

(12) **United States Design Patent**
Kawashima

(10) **Patent No.:** **US D458,621 S**
(45) **Date of Patent:** **** Jun. 11, 2002**

(54) **IMAGE INPUT DEVICE**

(75) Inventor: **Shosaku Kawashima**, Yokohama (JP)

(73) Assignee: **Canon Kabushiki Kaisha**, Tokyo (JP)

(**) Term: **14 Years**

(21) Appl. No.: **29/149,250**

(22) Filed: **Oct. 9, 2001**

(30) **Foreign Application Priority Data**

Apr. 19, 2001 (JP) 2001-011377

(51) **LOC (7) Cl.** **16-01**

(52) **U.S. Cl.** **D16/202**

(58) **Field of Search** D16/200-205,
D16/208; D14/130; 348/14.01-14.16, 373-376;
358/909.1; 396/419, 535-541

(56) **References Cited**

U.S. PATENT DOCUMENTS

D386,505 S * 11/1997 Maeyama D16/202
5,900,907 A * 5/1999 Malloy et al. 348/15
D426,249 S * 6/2000 Tsujimoto D16/202
D432,151 S 10/2000 Kawashima D16/202
D438,223 S 2/2001 Kawashima D16/202
D441,000 S * 4/2001 Vanderwilt et al. D16/202

FOREIGN PATENT DOCUMENTS

JP 979353 4/1997
JP 1103832 11/1997
JP 1104173 11/1997

OTHER PUBLICATIONS

Canon home page "Communication Camera" p. 1 Canon Sales Co., Inc. Oct. 2000.*

* cited by examiner

Primary Examiner—Adir Aronovich

(74) *Attorney, Agent, or Firm*—Fitzpatrick, Cella, Harper & Scinto

(57) **CLAIM**

The ornamental design for an image input device, as shown and described.

DESCRIPTION

FIG. 1 is a front view of an image input device showing my new design;
FIG. 2 is a rear view thereof;
FIG. 3 is a top plan view thereof;
FIG. 4 is a bottom plan view thereof;
FIG. 5 is a left side view thereof;
FIG. 6 is a right side view thereof; and,
FIG. 7 is a perspective view thereof.

1 Claim, 7 Drawing Sheets

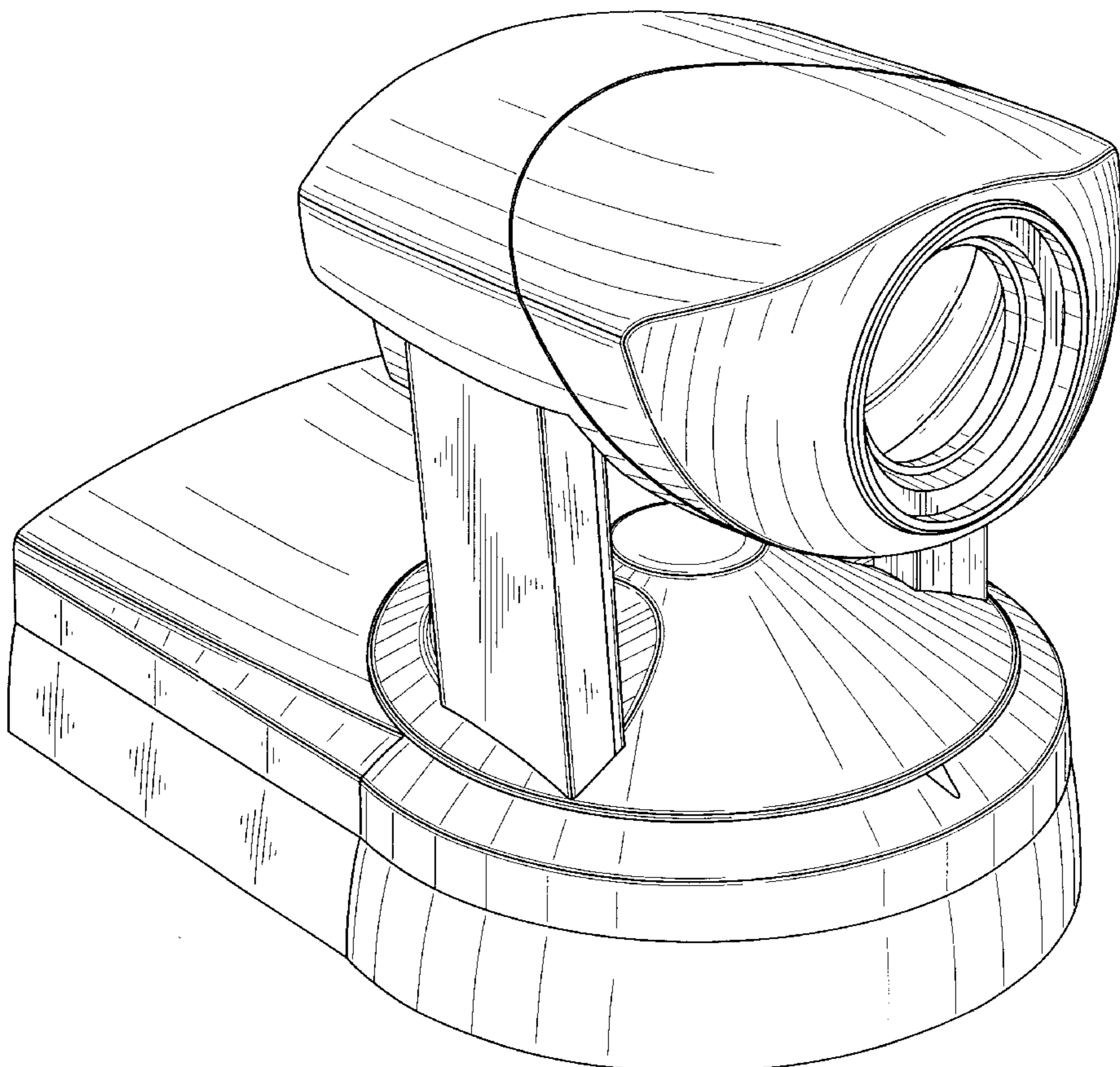


FIG. 1

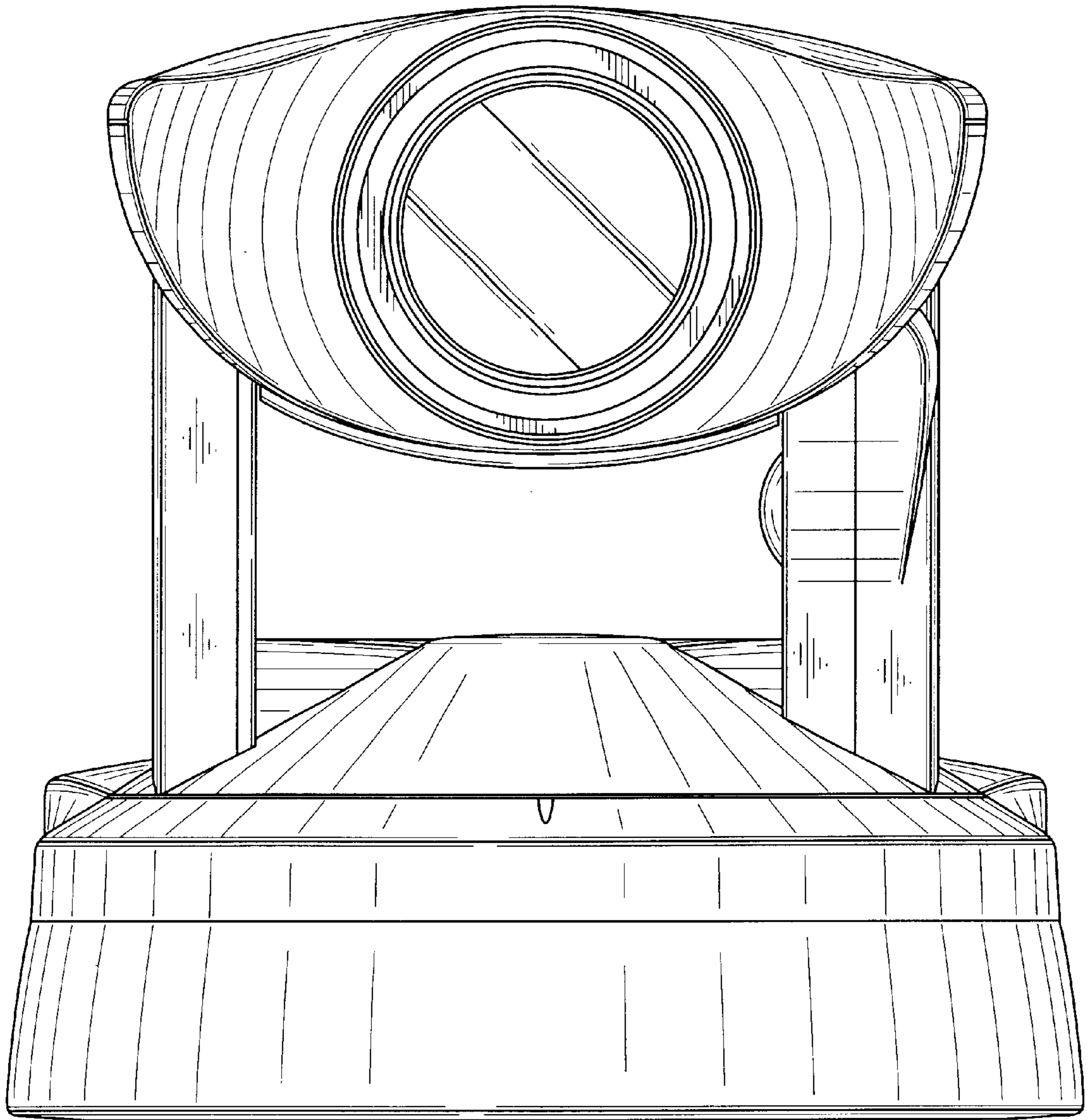


FIG. 2

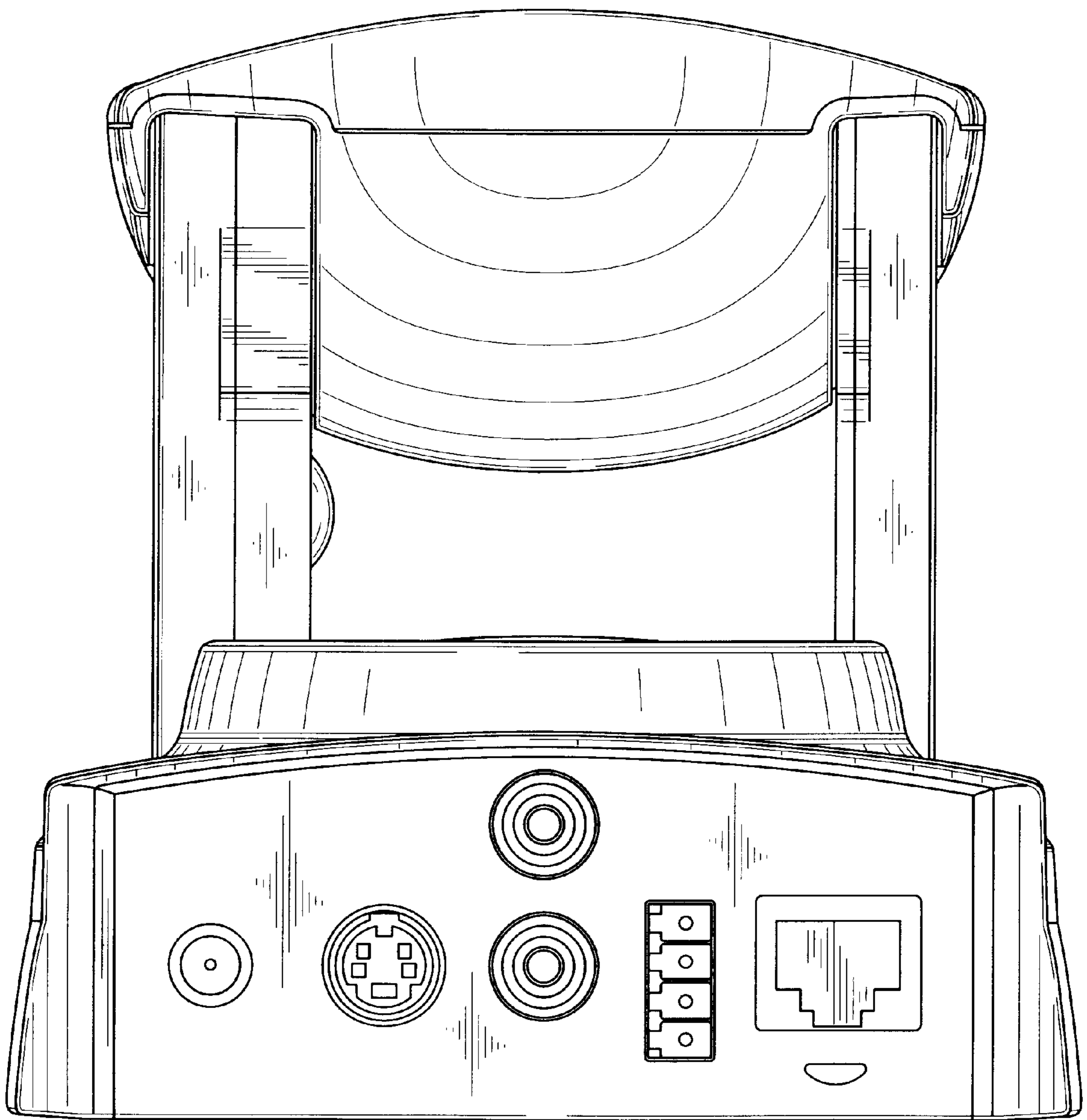


FIG. 3

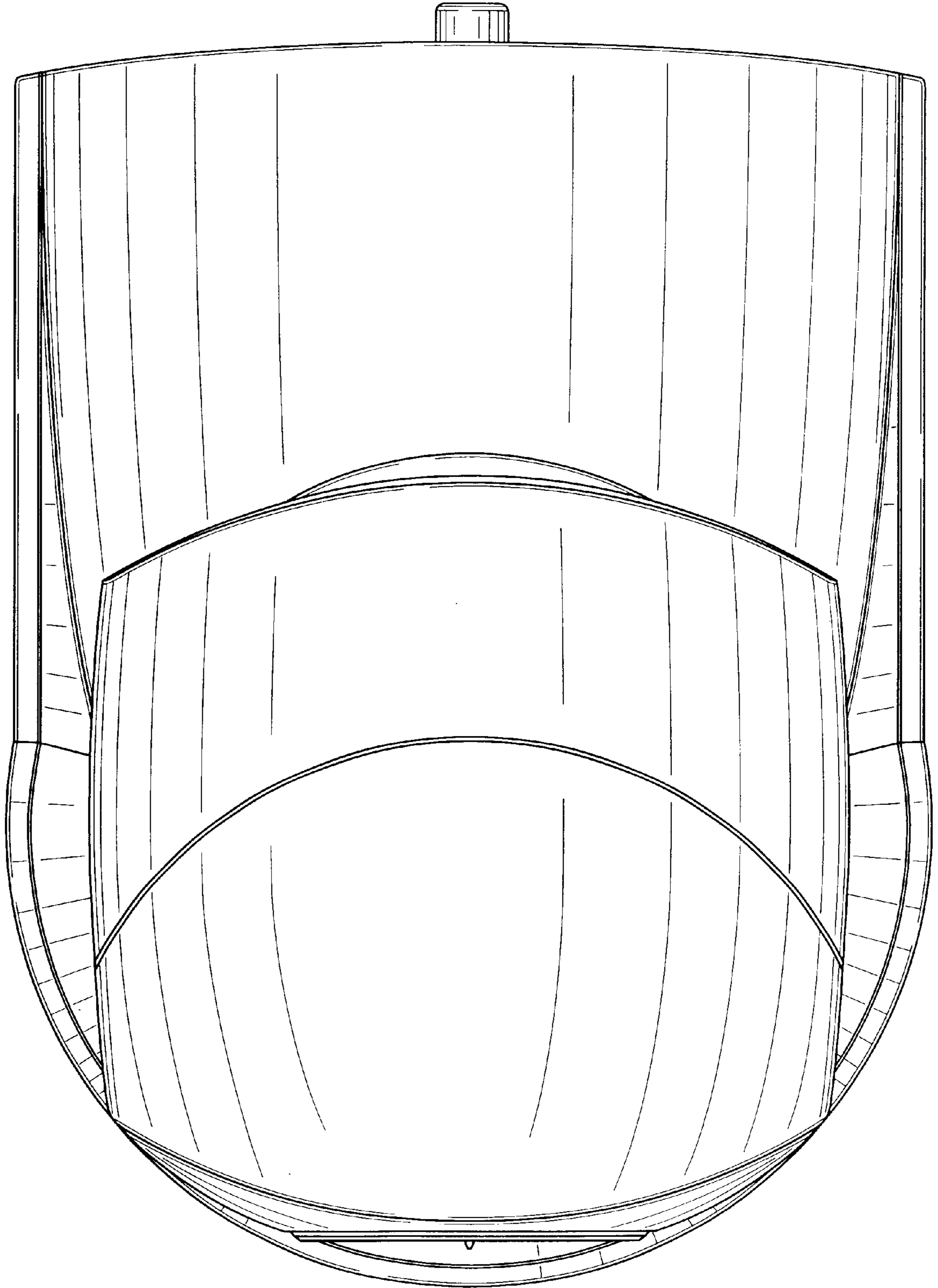


FIG. 4

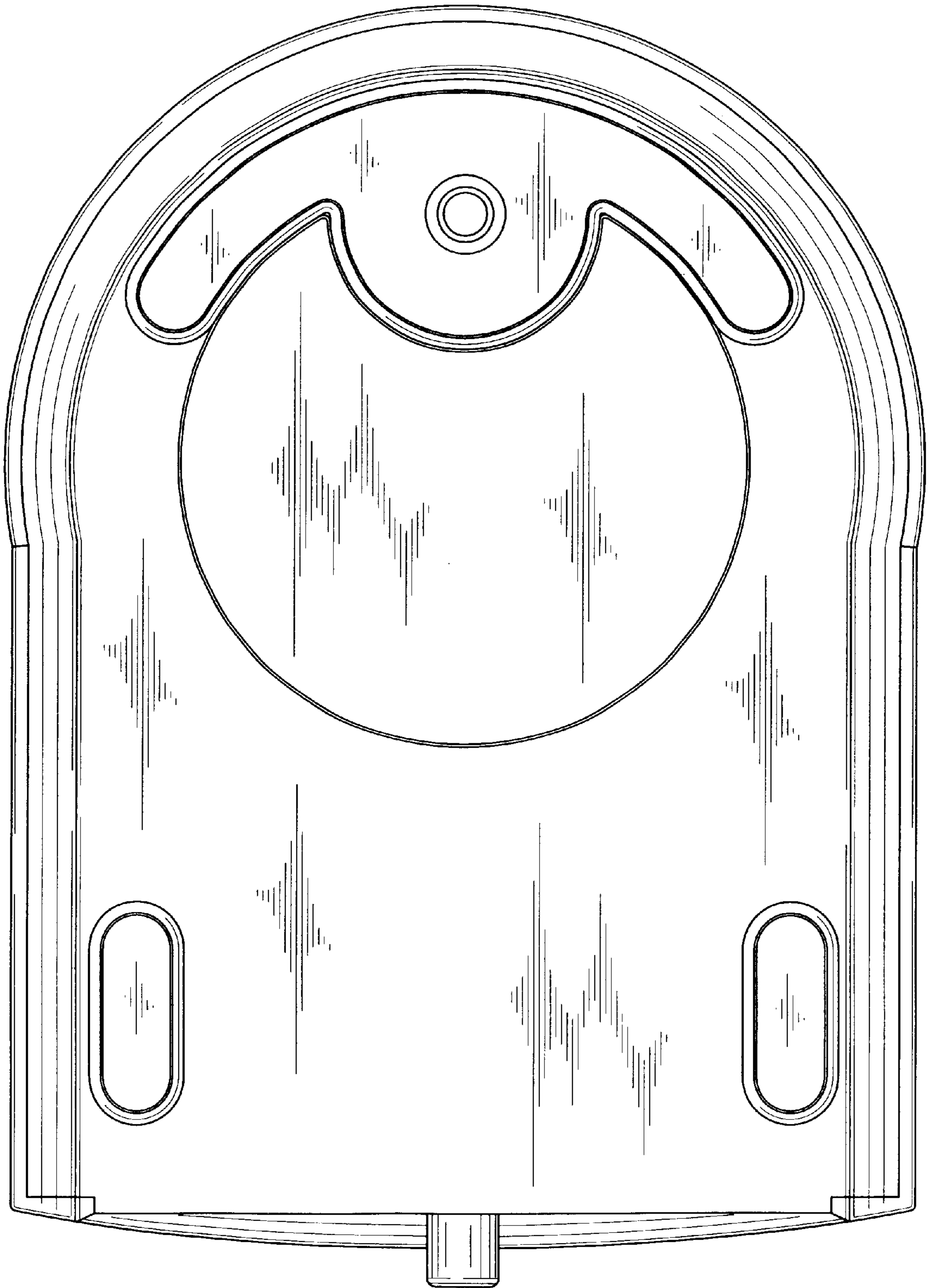


FIG. 5

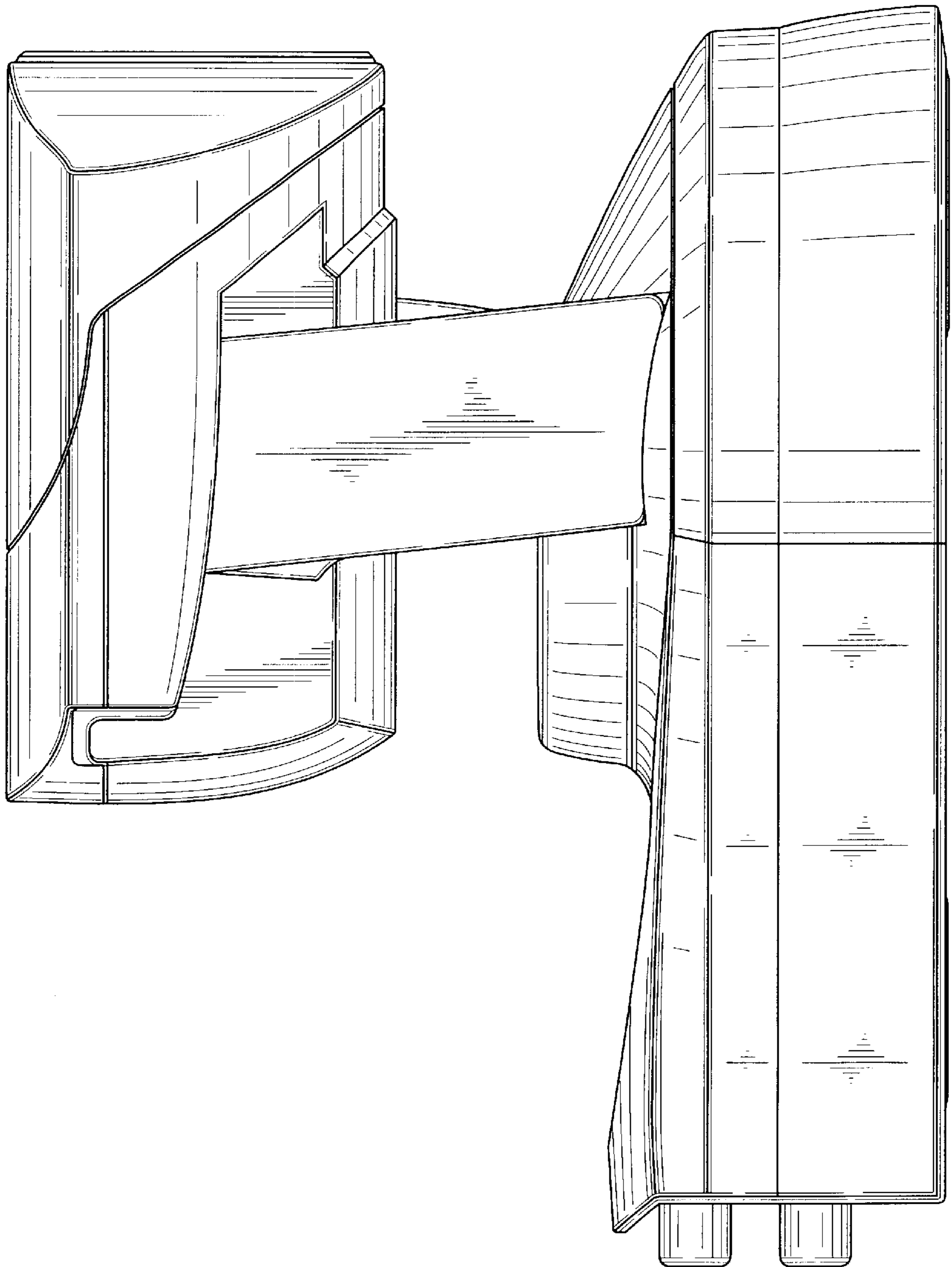


FIG. 6

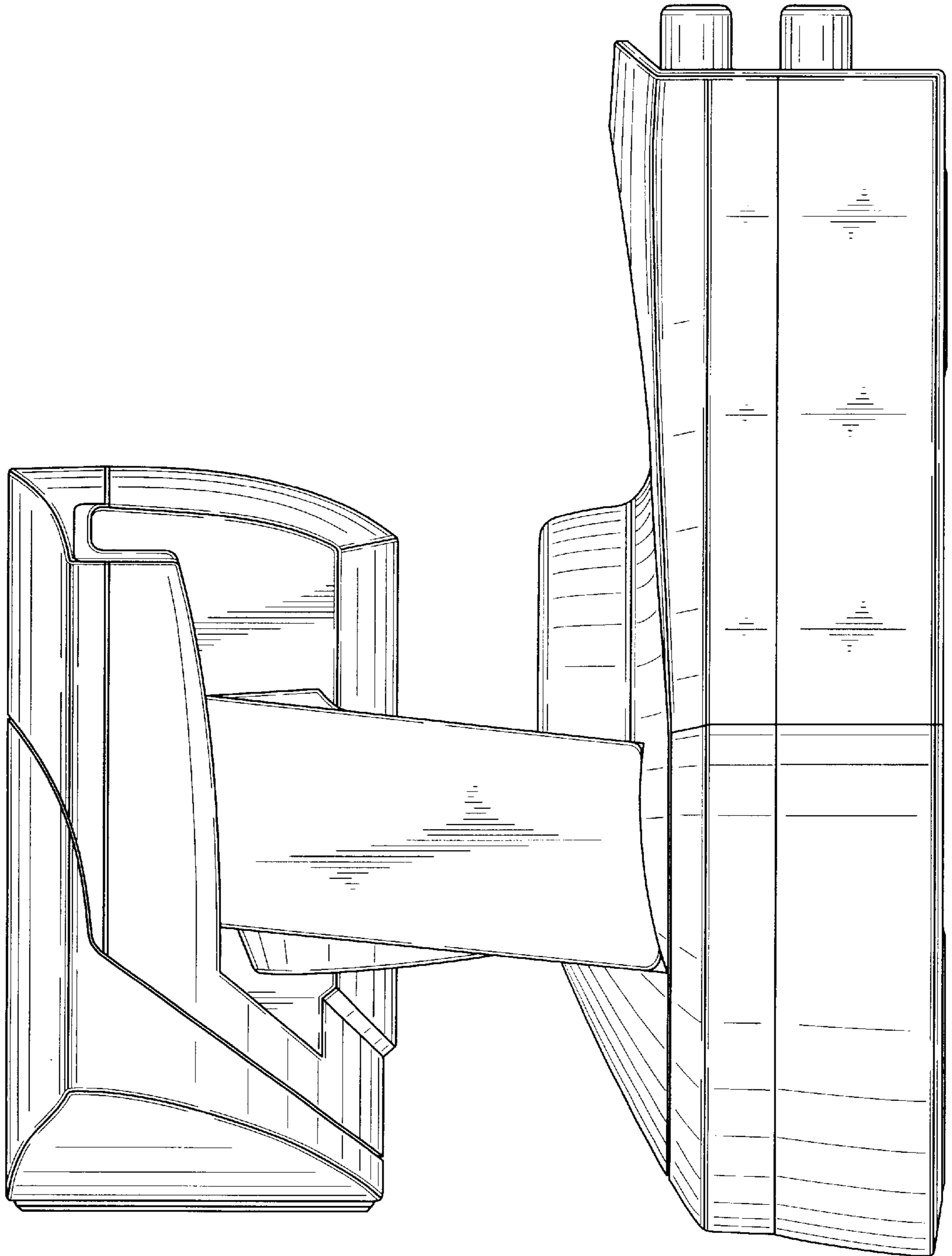


FIG. 7

