



US00D458620S

(12) **United States Design Patent**
Su et al.

(10) **Patent No.:** **US D458,620 S**

(45) **Date of Patent:** **** Jun. 11, 2002**

(54) **DIGITAL CAMERA**

(75) Inventors: **Jone Su; Chin-Shu Wu**, both of
ChuPei (TW)

(73) Assignee: **AIPTEK International Inc.** (TW)

(**) Term: **14 Years**

(21) Appl. No.: **29/147,654**

(22) Filed: **Sep. 5, 2001**

(51) **LOC (7) Cl.** **16-01**

(52) **U.S. Cl.** **D16/202; D16/218**

(58) **Field of Search** **D16/200-205,**
D16/207, 208, 209, 210, 216-218; 348/373-376;
358/909.1; 396/535-541

(56) **References Cited**

U.S. PATENT DOCUMENTS

D102,527 S * 12/1936 Teague D16/218
D113,220 S * 2/1939 Crumrine D16/218
5,255,032 A * 10/1993 Michaud 396/535

D342,541 S * 12/1993 McBride et al. D16/209

D400,552 S * 11/1998 Becker et al. D16/218

D421,268 S * 2/2000 Watanabe D16/216

* cited by examiner

Primary Examiner—Adir Aronovich

(74) *Attorney, Agent, or Firm*—Troxell Law Office PLLC

(57) **CLAIM**

The ornamental design for a digital camera, as shown and described.

DESCRIPTION

FIG. 1 is a perspective view of a digital camera showing my design;

FIG. 2 is a front elevational view thereof;

FIG. 3 is a rear elevational view thereof;

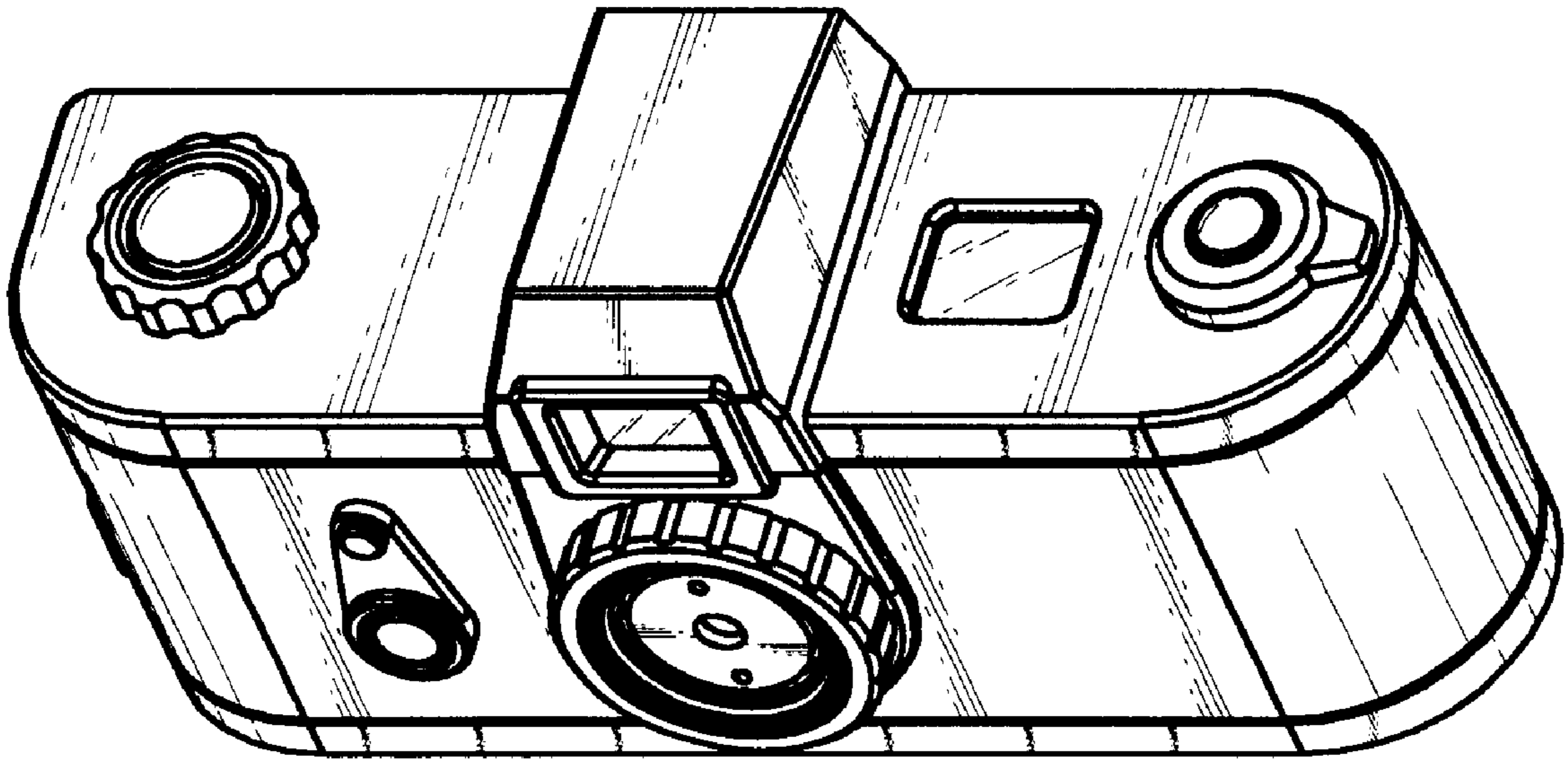
FIG. 4 is a left side elevational view thereof;

FIG. 5 is a right side elevational view thereof;

FIG. 6 is a top plan view thereof; and,

FIG. 7 is a bottom plan view thereof.

1 Claim, 4 Drawing Sheets



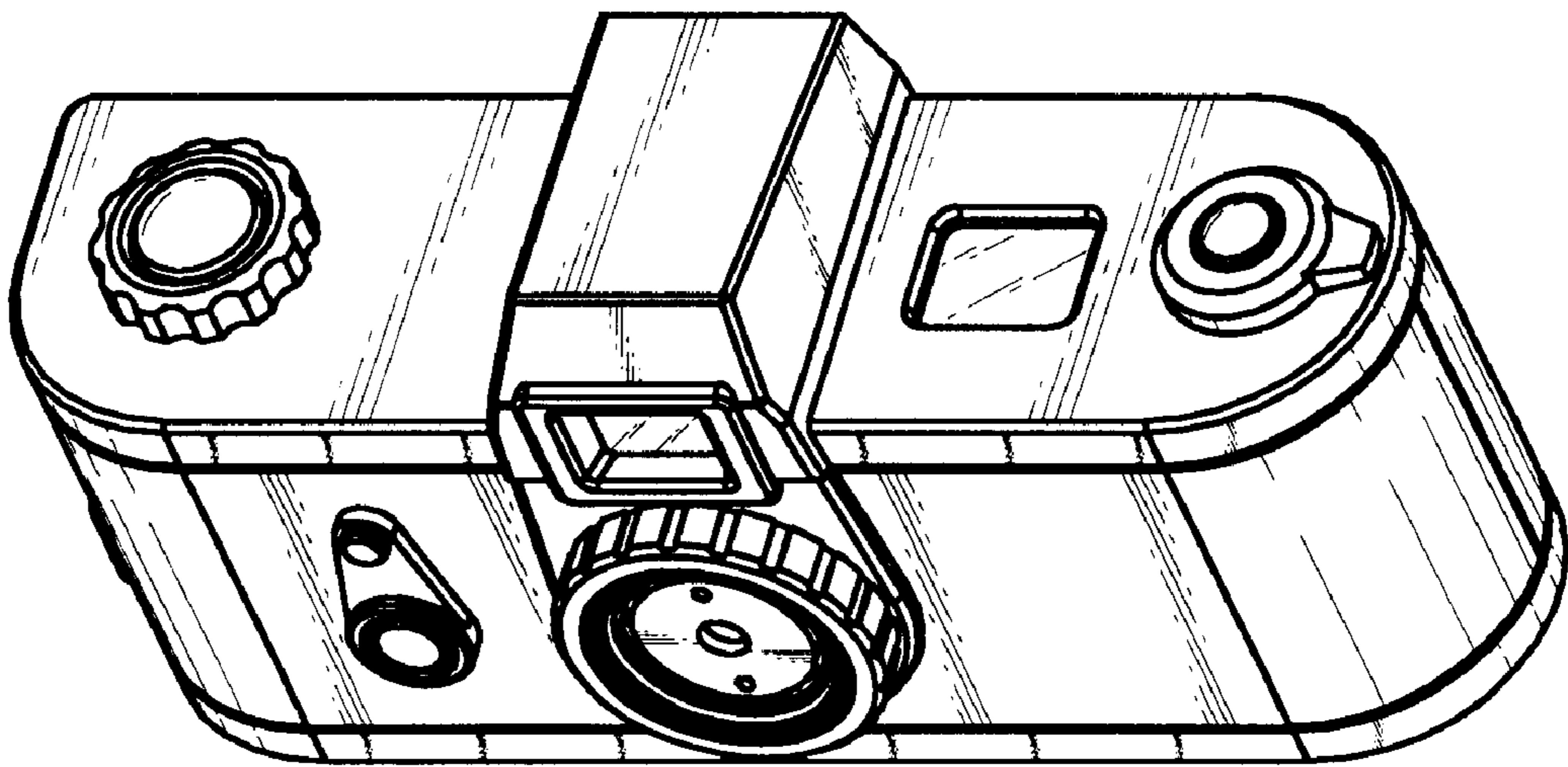


FIG. 1

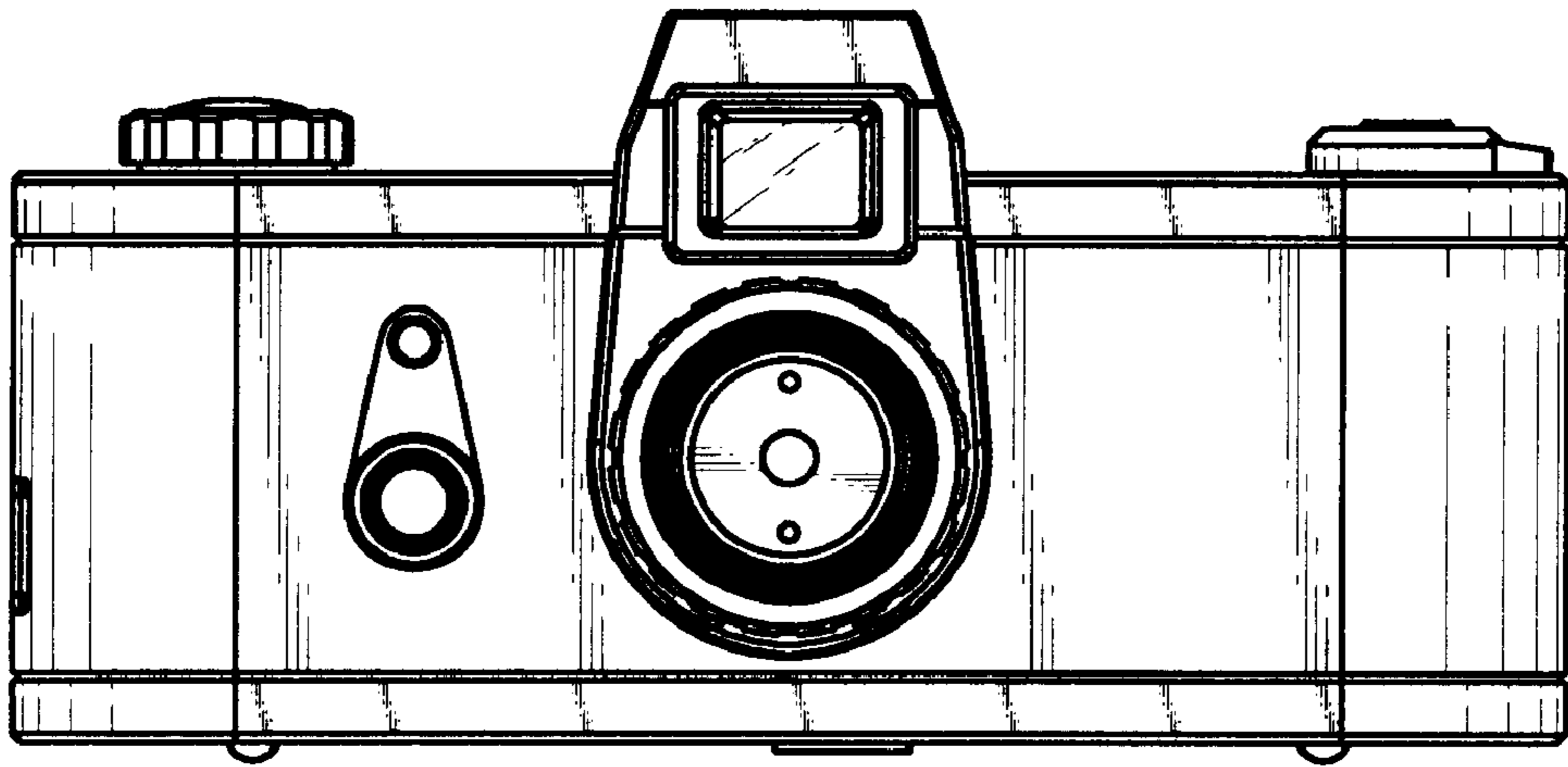


FIG. 2

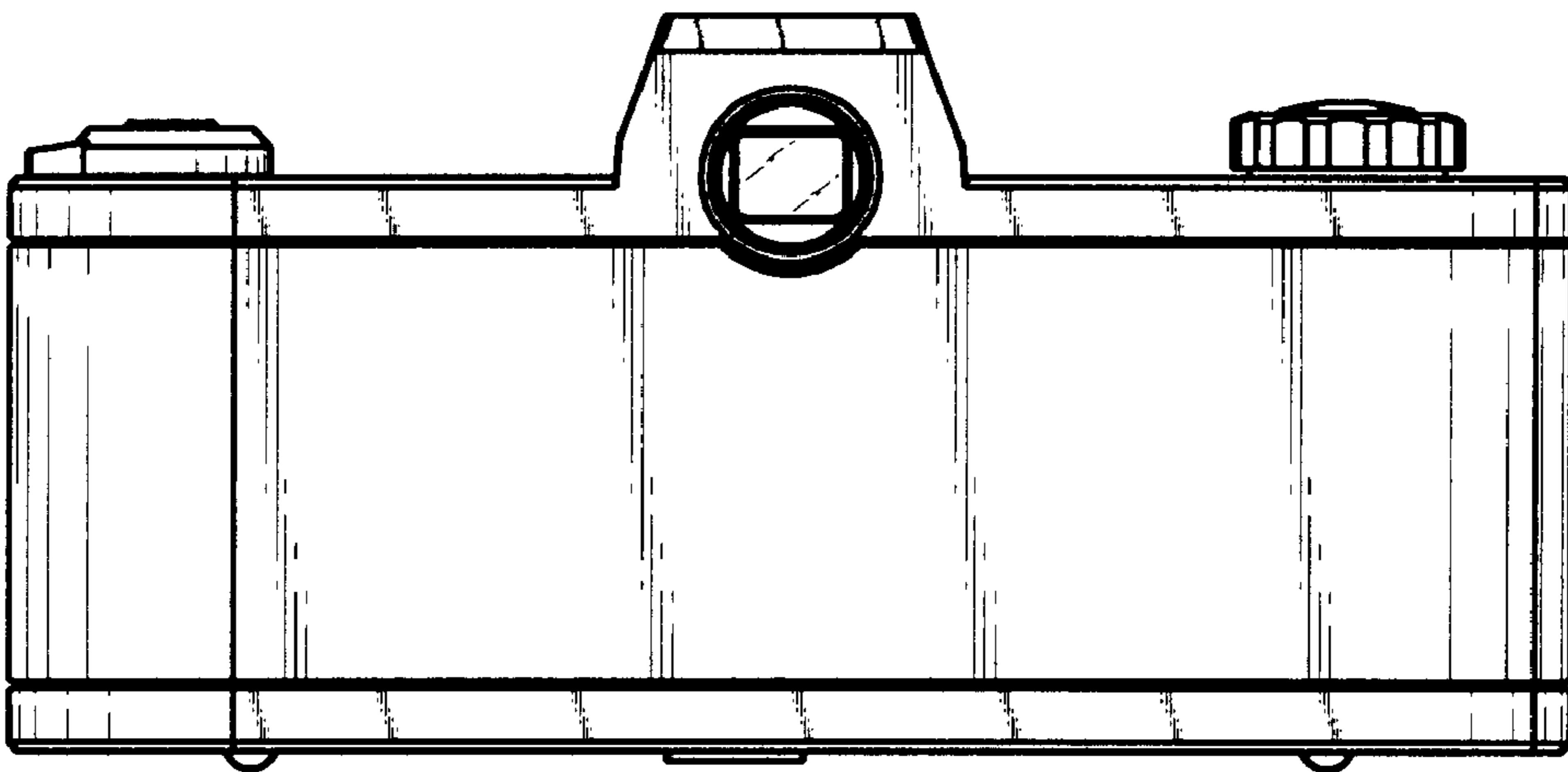


FIG. 3

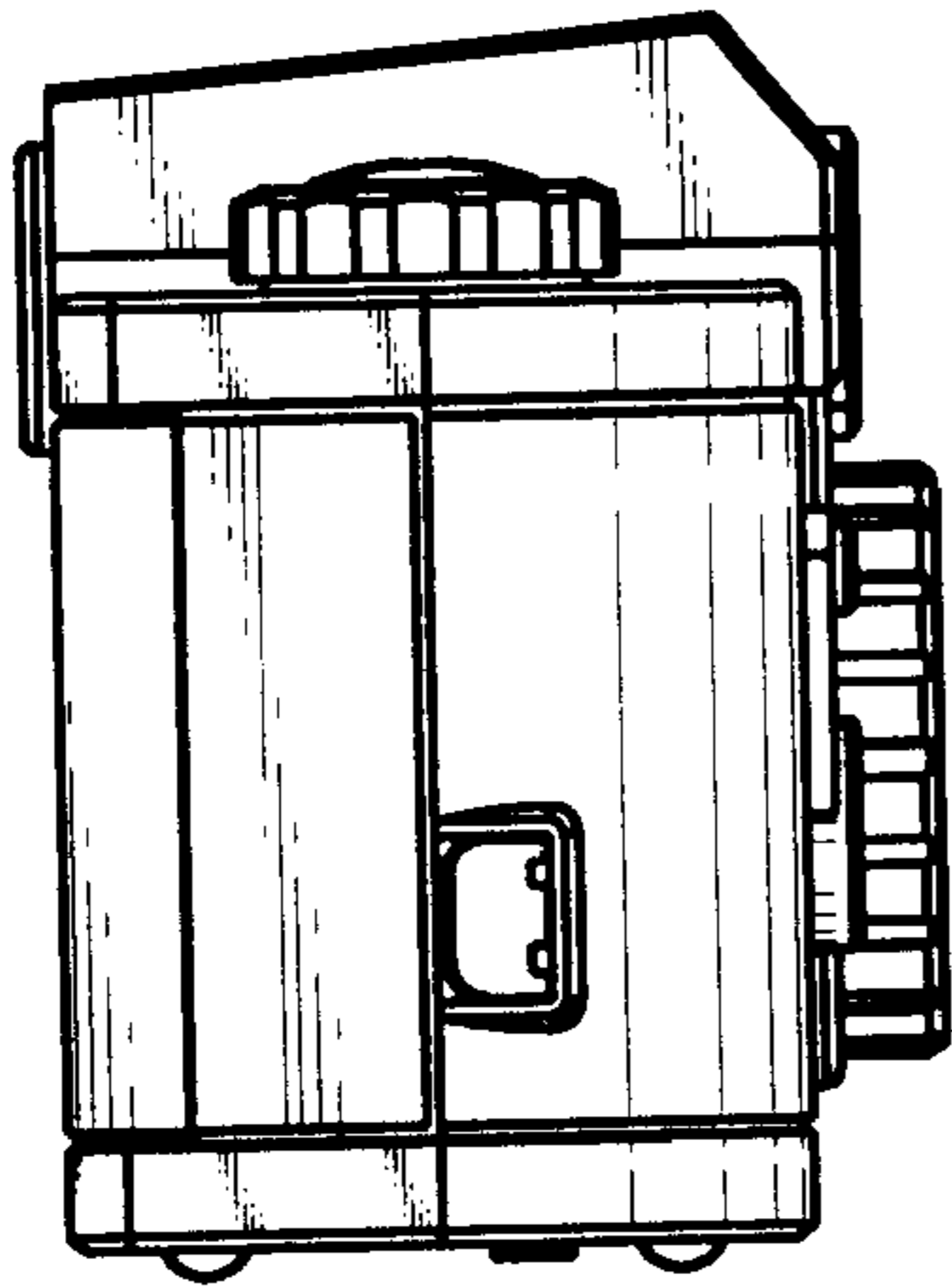


FIG. 4

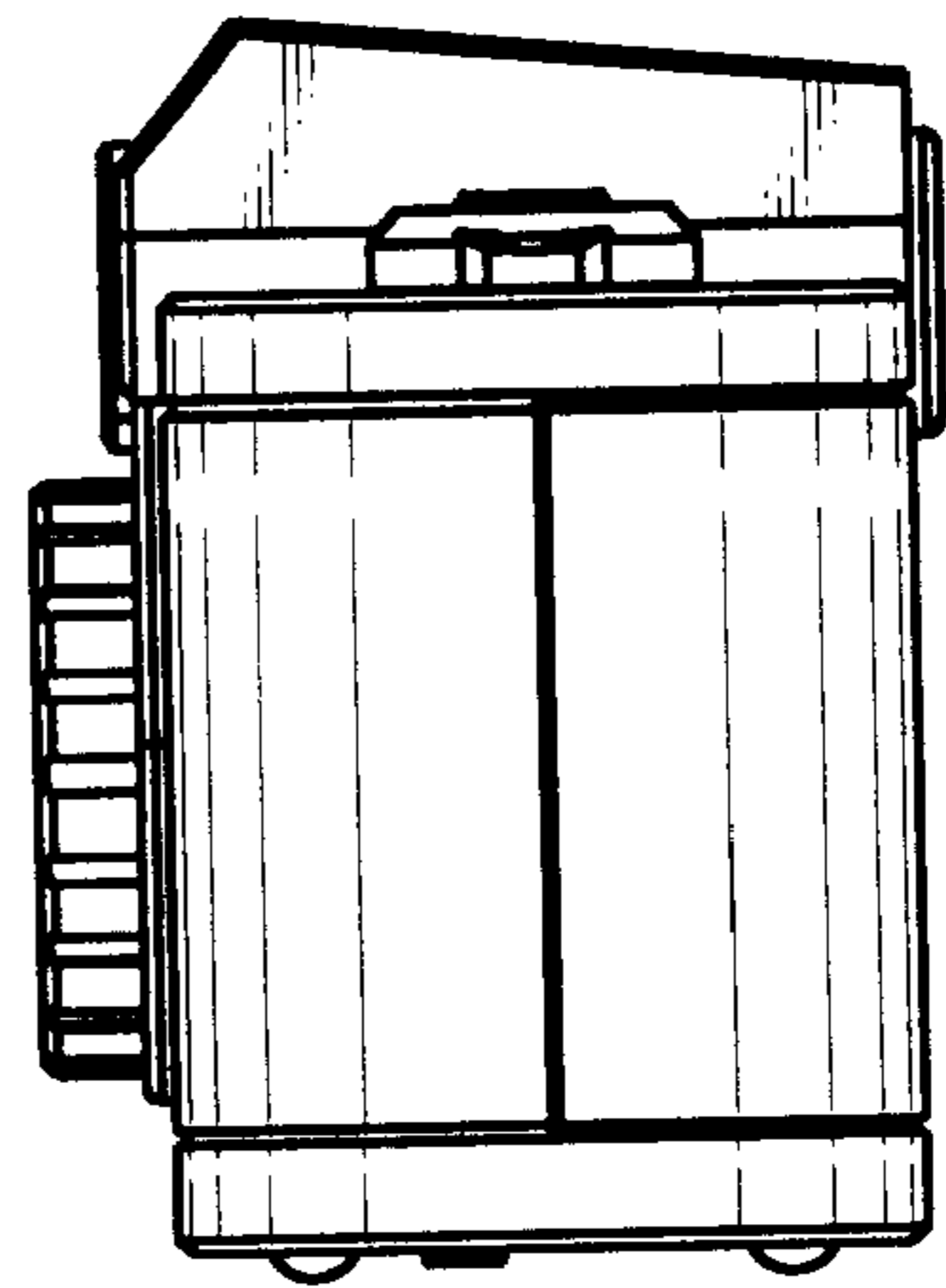


FIG. 5

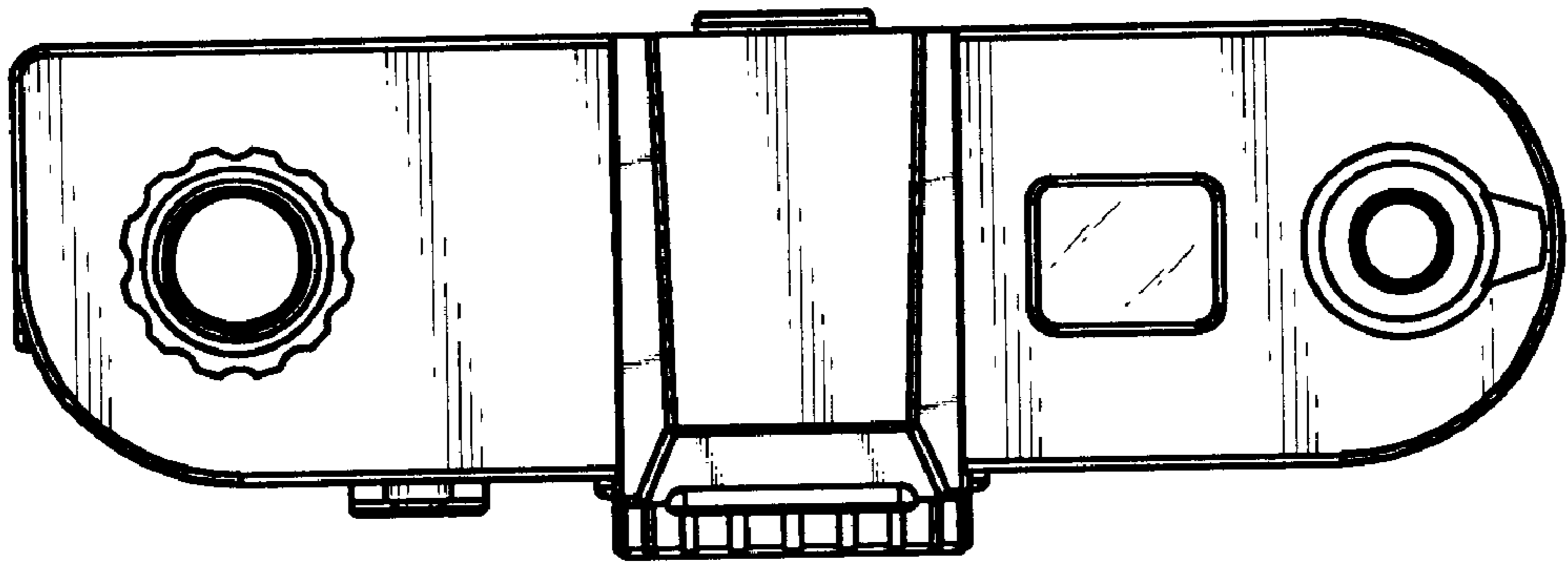


FIG. 6

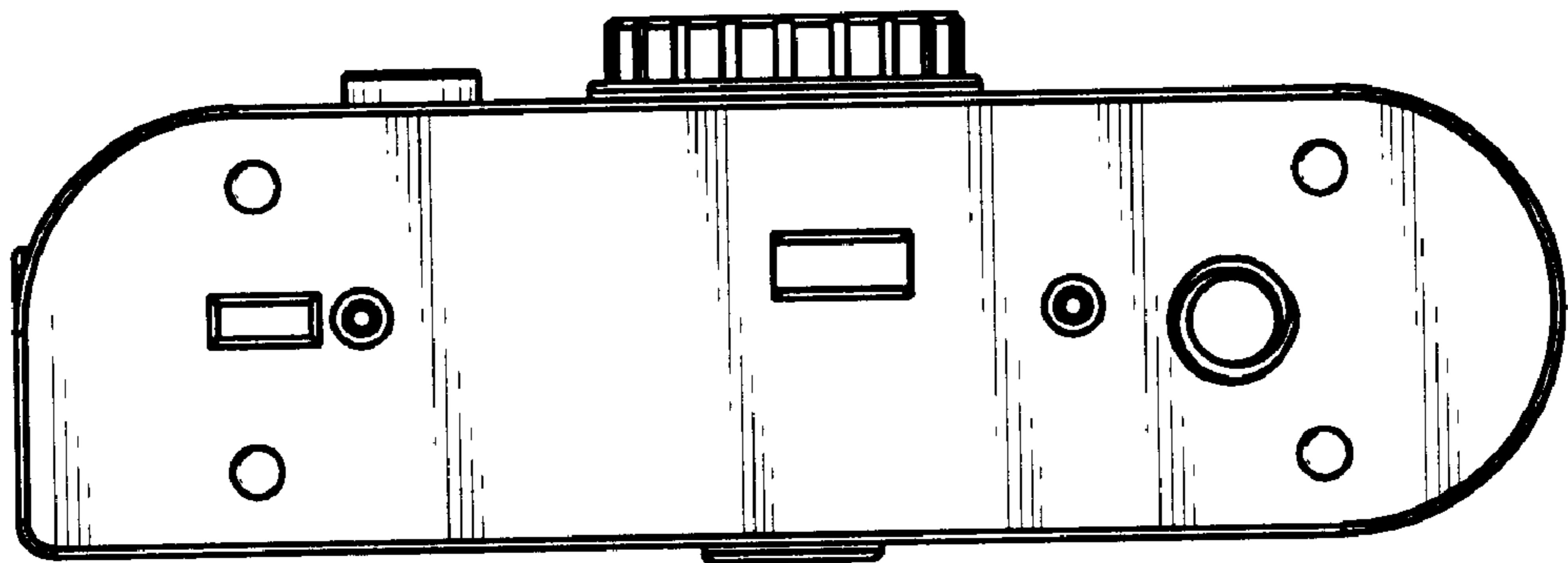


FIG. 7