



US00D458617S

(12) **United States Design Patent**
Wang

(10) **Patent No.:** **US D458,617 S**
(45) **Date of Patent:** **** Jun. 11, 2002**

(54) **BENCH GRINDER**

(76) Inventor: **Jack Wang**, 11F-2, No. 43, Chai-I Street, Taichung City (TW)

(**) Term: **14 Years**

(21) Appl. No.: **29/147,466**

(22) Filed: **Aug. 30, 2001**

(51) **LOC (7) Cl.** **15-09**

(52) **U.S. Cl.** **D15/124**

(58) **Field of Search** D8/61, 62, 64, D8/67, 68; D15/122, 124, 125, 134, 199; D24/146; 81/54, 57, 57.11, 57.13, 57.14, 57.42, 57.29, 57.39, 58, 60, 61, 62, 63, 63.1, 63.2; 76/37, 40, 41; 451/72, 357, 358, 359, 361, 456

(56) **References Cited**

U.S. PATENT DOCUMENTS

2,875,648	A	*	3/1959	Garrison	76/41
D366,662	S	*	1/1996	Haffely et al.	D15/124
5,525,095	A	*	6/1996	Baughman	451/72
D412,175	S	*	7/1999	Baughman	D15/124
D447,155	S	*	8/2001	Lin Ku	D15/124

OTHER PUBLICATIONS

Bench Grinder Models 351 and 353, Shopmate® Electric Power Tools Catalog, p. 27.*

Bench Grinder, Models 1766 and 1788, Black & Decker Catalog, p. 55.*

* cited by examiner

Primary Examiner—Doris V. Coles

Assistant Examiner—Elizabeth A. Albert

(74) *Attorney, Agent, or Firm*—Charles E. Baxley

(57) **CLAIM**

The ornamental design for a bench grinder, as shown and described.

DESCRIPTION

FIG. 1 is a front-right-top perspective view of a bench grinder, showing my new design;

FIG. 2 is a front elevational view thereof;

FIG. 3 is a rear elevational view thereof;

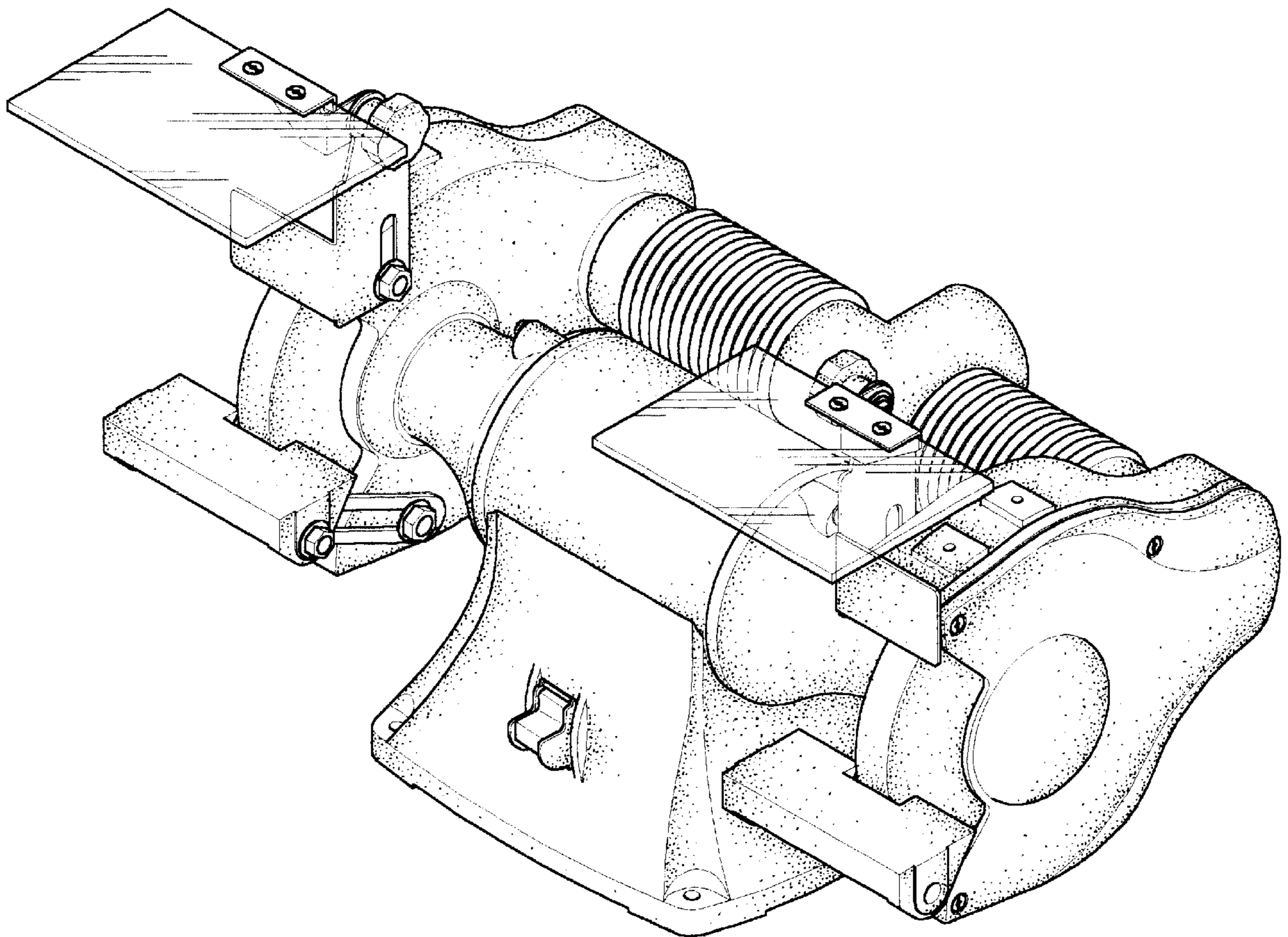
FIG. 4 is a left elevational view thereof;

FIG. 5 is a right elevational view thereof;

FIG. 6 is a top plan view thereof; and,

FIG. 7 is a bottom plan view thereof.

1 Claim, 4 Drawing Sheets



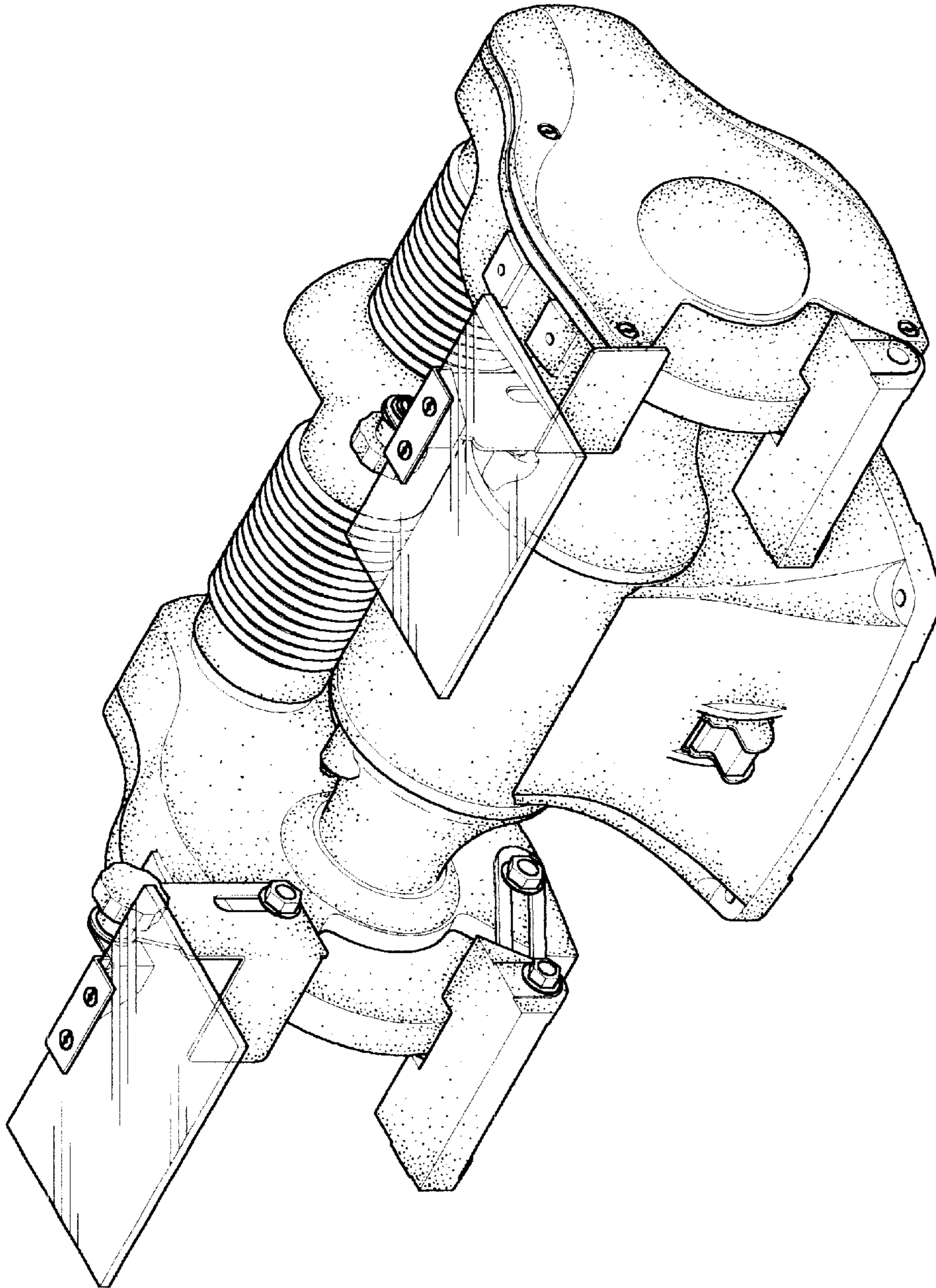


FIG. 1

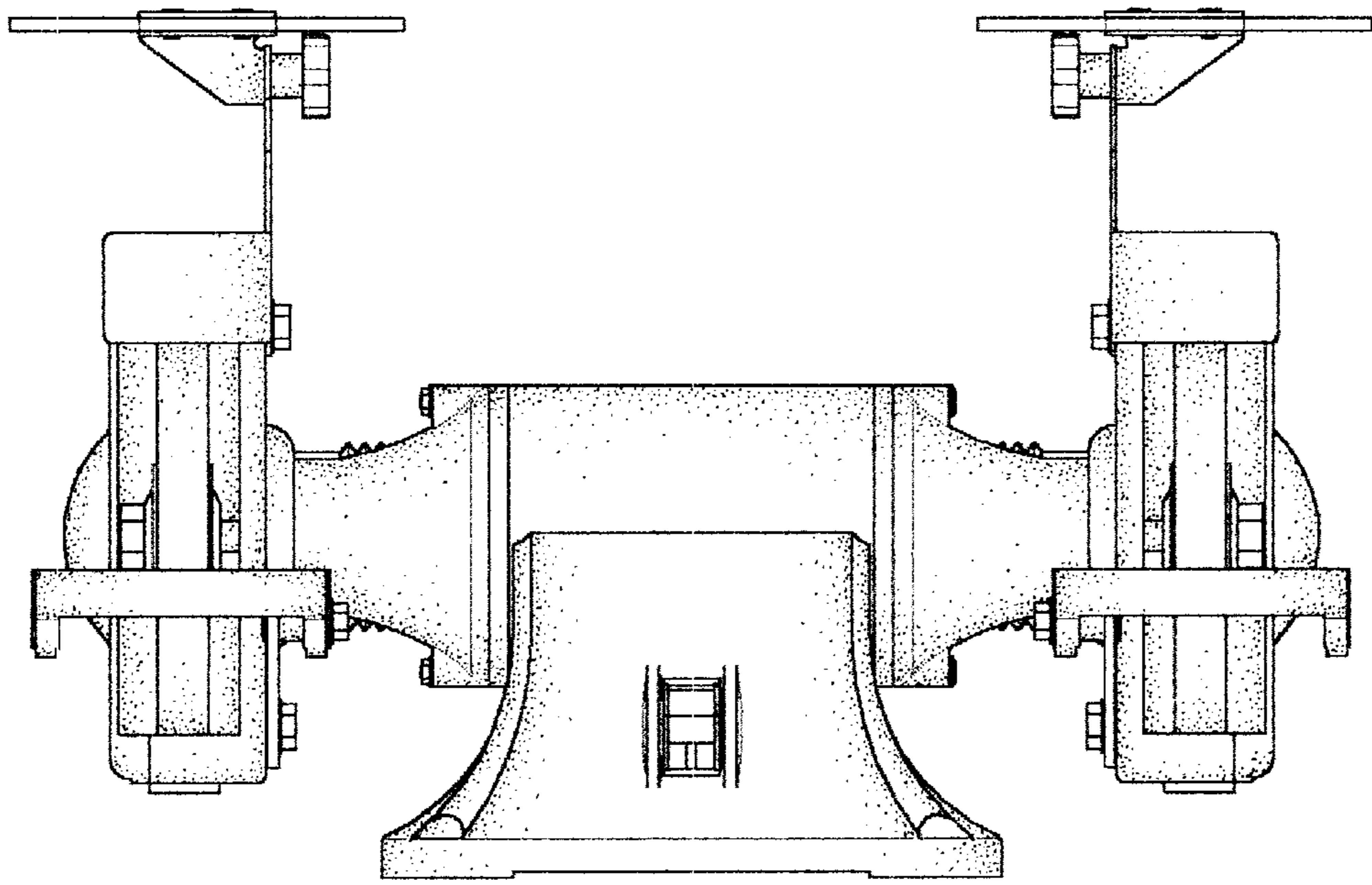


FIG. 2

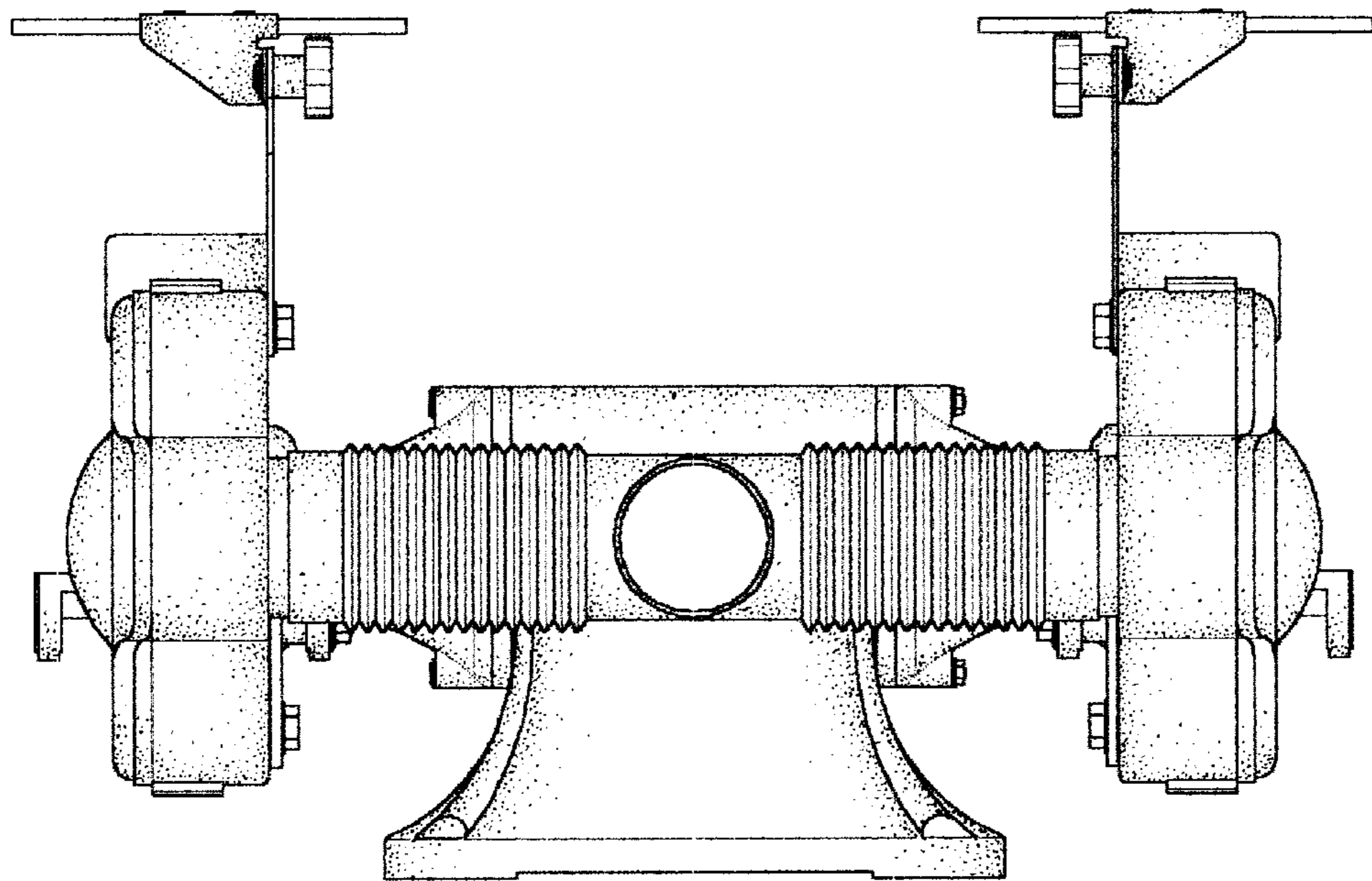


FIG. 3

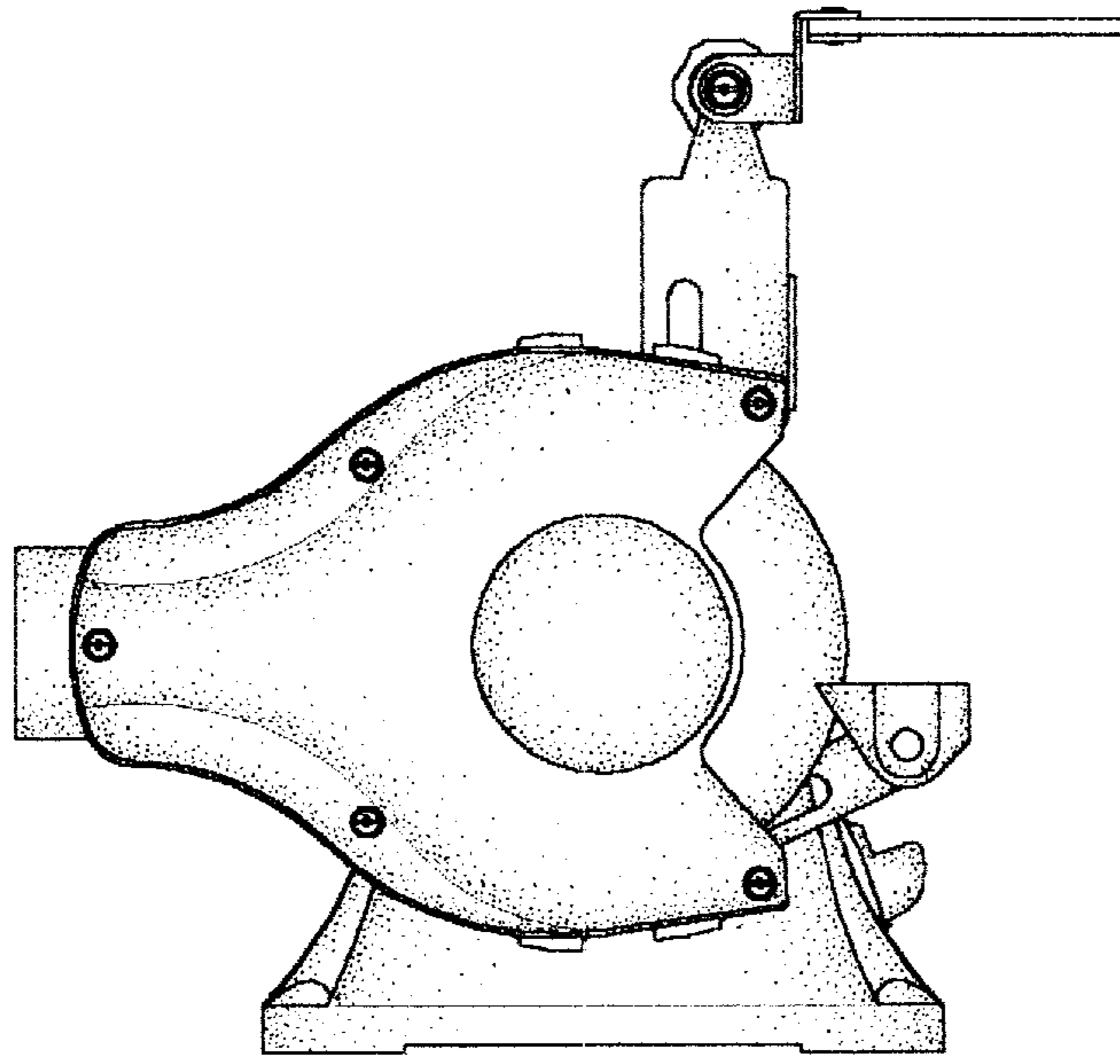


FIG. 4

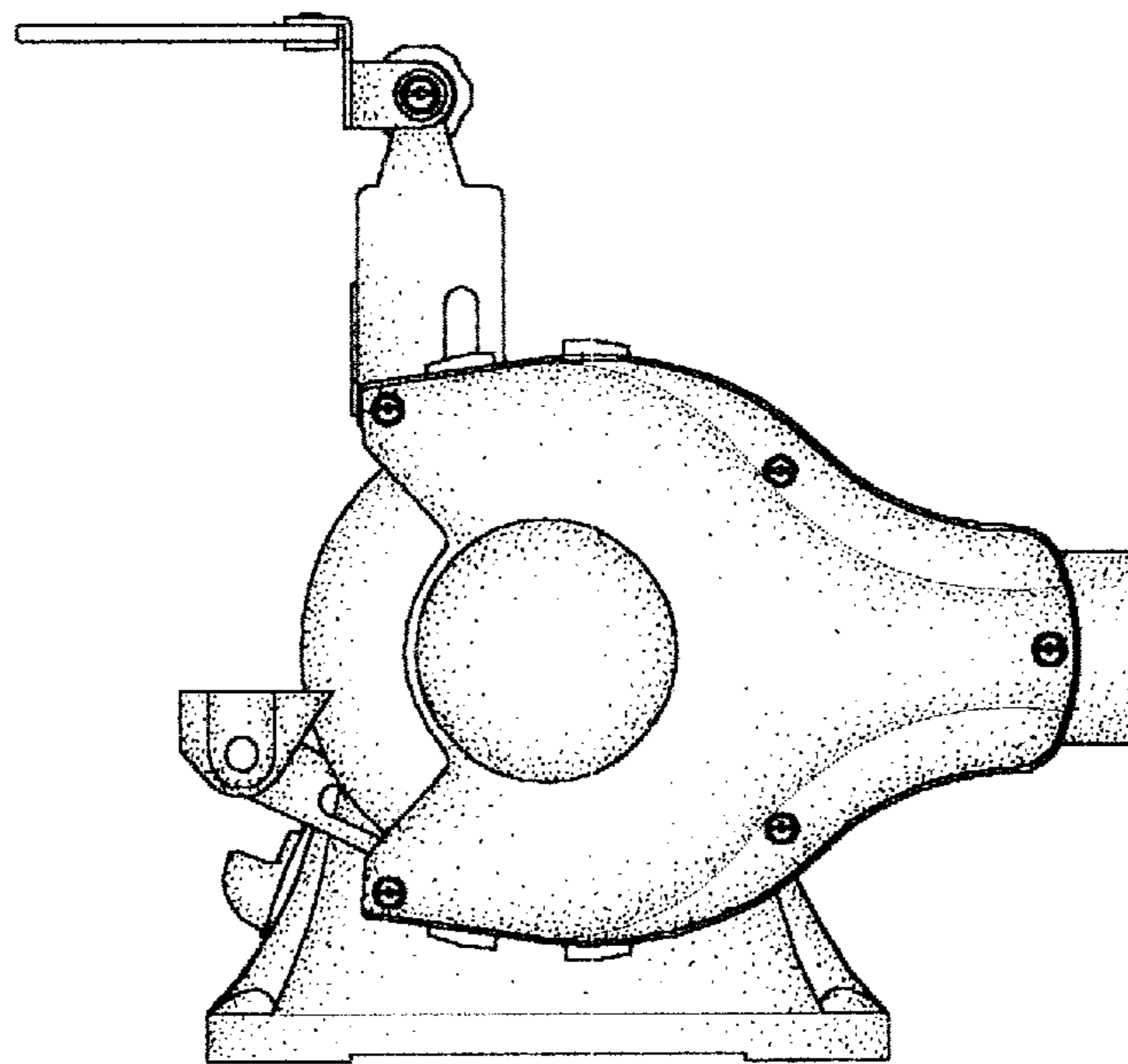


FIG. 5

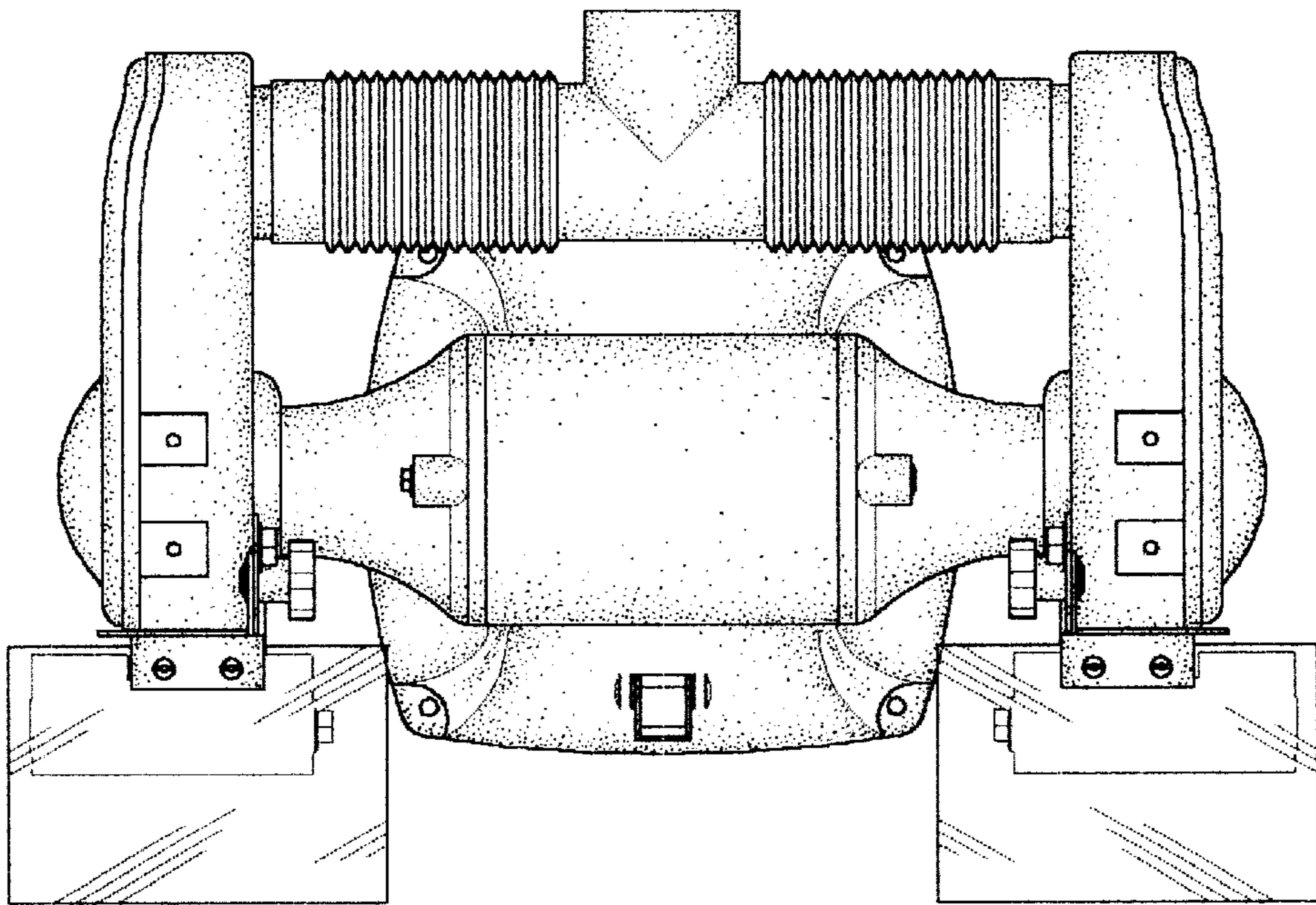


FIG. 6

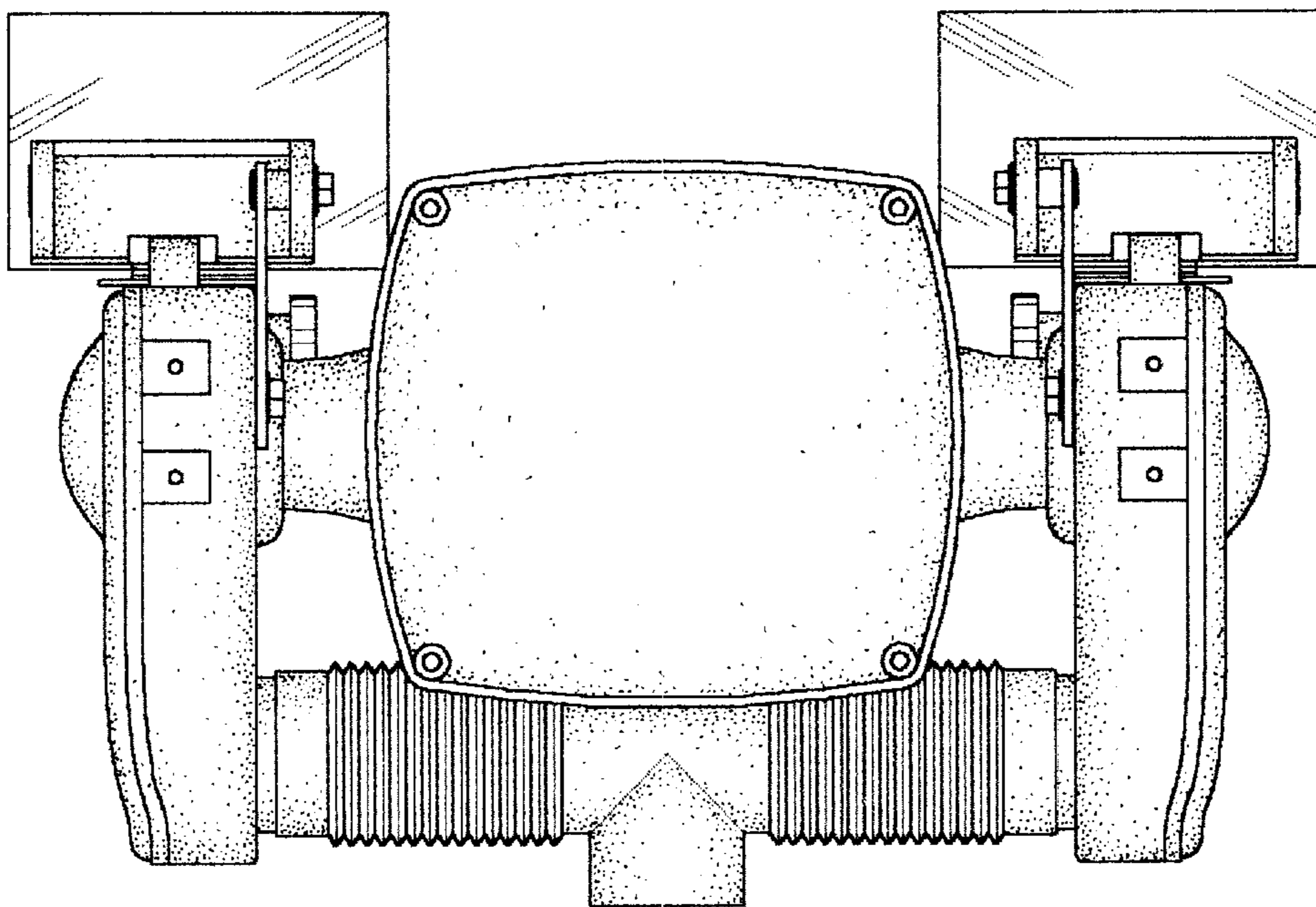


FIG. 7